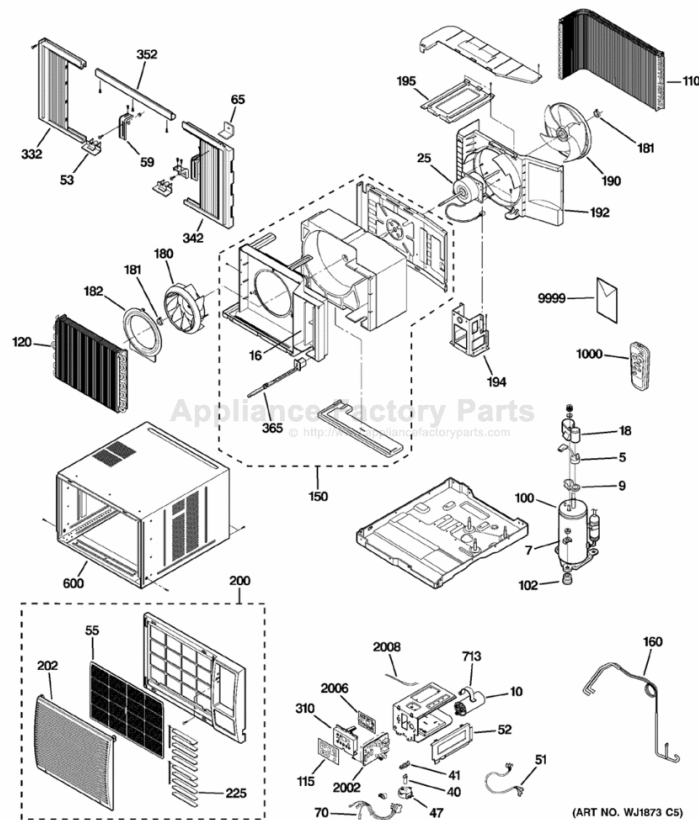


This Owner's Manual is provided and hosted by Appliance Factory Parts.



GE AGM14ACG1 Owner's Manual

[Shop genuine replacement parts for GE AGM14ACG1](#)



[Find Your GE Air Conditioner Parts - Select From 2757 Models](#)

----- Manual continues below -----

Technical Data

AGM14ACG1

3828A21002G

DISCONNECT POWER BEFORE SERVICING
IMPORTANT - RECONNECT ALL GROUNDING DEVICES

All parts of this appliance capable of conducting electrical current are grounded. If grounding wires, screws, straps, clips nuts or washers used to complete a path to ground are removed for service, they must be returned to their original position and properly fastened.

IMPORTANT SAFETY NOTICE

This information is intended for use by individuals possessing adequate backgrounds of electrical, electronic and mechanical experience. Any attempt to repair a major appliance may result in personal injury and property damage. The manufacturer or seller cannot be responsible for the interpretation of this information, nor can it assume any liability in connection with its use.

WARNING

DISCONNECT UNIT FROM ELECTRICAL POWER SUPPLY BEFORE MAKING ANY ELECTRICAL CHECKS.

MAXIMUM CURRENT LEAKAGE:
0.75 MILL.AMP - ALL MODELS

MAXIMUM GROUND PATH RESISTANCE:
0.1 OHM - ALL MODELS

CURRENT- TEMPERATURE CHECK DATA(115V)

AIR TEMPERATURE CONDENSER IN °F	COOLING CURRENT	
	MIN.	MAX.
80	10.51	10.53
95	11.86	11.95
110	14.33	14.11

POWER SUPPLY

RATED VOLTAGE	VOLTAGE LIMITS
115	103-127

REPLACEMENT PARTS

DESCRIPTION	CAT.NO
Capillary Cut to 45" QTY2	WJ53X10045
REMOTE CONTROLLER	WJ26X10154
FAN MOTOR	WJ94X10151
EVAPORATOR	WJ87X10053
CONDENSER	WJ88X10121
FAN BLADE	WJ73X10016
FILTER ASSY	WJ85X10008
CONTROL PANEL	WJ07X10084
THERMISTOR	WJ27X10035
MAIN PCB ASSY	WJ26X10156
CAPACITOR	WJ20X10057
COMPRESSOR	WJ98X10125
OLP	WJ23X10015
INSTALLATION/HARDWARE KIT	WJ86X10009

TEMPERATURE DIFFERENTIAL CHECK DATA(115V)

EVAPORATOR AIR TEMP. IN °F (COOLING)	EVAP. AIR TEMP. OUT °F	
	MIN.	MAX.
70	48.7	49.1
80	56.8	57.4
90	64.8	65.1

WARNING - COMPRESSOR DIRECT CHECK

CAUTION:

1. Keep head clear of terminal area when cover is removed.
2. Check windings first. If open or grounded, "DO NOT" apply power to compressor terminals.

