

## Technical Data

AGN14AEG1

3828A21002D

**DISCONNECT POWER BEFORE SERVICING**  
**IMPORTANT - RECONNECT ALL GROUNDING DEVICES**  
All parts of this appliance capable of conducting electrical current are grounded. If grounding wires, screws, straps, clips nuts or washers used to complete a path to ground are removed for service, they must be returned to their original position and properly fastened.

**IMPORTANT SAFETY NOTICE**  
This information is intended for use by individuals possessing adequate backgrounds of electrical, electronic and mechanical experience. Any attempt to repair a major appliance may result in personal injury and property damage. The manufacturer or seller cannot be responsible for the interpretation of this information, nor can it assume any liability in connection with its use.

**WARNING**

DISCONNECT UNIT FROM ELECTRICAL POWER SUPPLY BEFORE MAKING ANY ELECTRICAL CHECKS.

**MAXIMUM CURRENT LEAKAGE:**  
0.75 MILL. AMP - ALL MODELS

**MAXIMUM GROUND PATH RESISTANCE:**  
0.1 OHM - ALL MODELS

**CURRENT- TEMPERATURE CHECK DATA(115V)**

AIR TEMPERATURE CONDENSER IN °F	COOLING CURRENT	
	MIN.	MAX.
80	10.56	10.58
95	12.53	12.64
110	15.15	15.17

**POWER SUPPLY**

RATED VOLTAGE	VOLTAGE LIMITS
115	103-127

**REPLACEMENT PARTS**

DESCRIPTION	CAT.NO
Capillary Cut to 51" QTY2	WJ53X10045
FAN MOTOR	WJ94X10151
EVAPORATOR	WJ87X10053
CONDENSER	WJ88X10024
FAN BLADE	WJ73X10016
FILTER ASSY	WJ85X10008
CONTROL PANEL	WJ07X10081
THERMOSTAT	WJ28X10013
CAPACITOR	WJ20X10077
COMPRESSOR	WJ98X10112
OLP	WJ23X10025
INSTALLATION/HARDWARE KIT	WJ86X10009

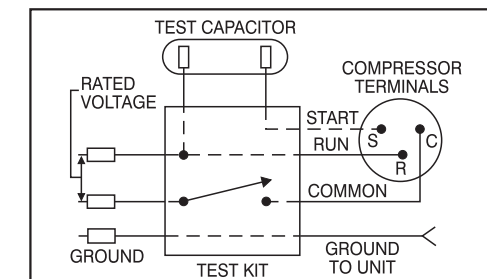
**TEMPERATURE DIFFERENTIAL CHECK DATA(115V)**

EVAPORATOR AIR TEMP. IN °F (COOLING)	EVAP. AIR TEMP. OUT °F	
	MIN.	MAX.
70	37.2	37.6
80	55.4	56.3
90	63.1	63.7

**WARNING - COMPRESSOR DIRECT CHECK**

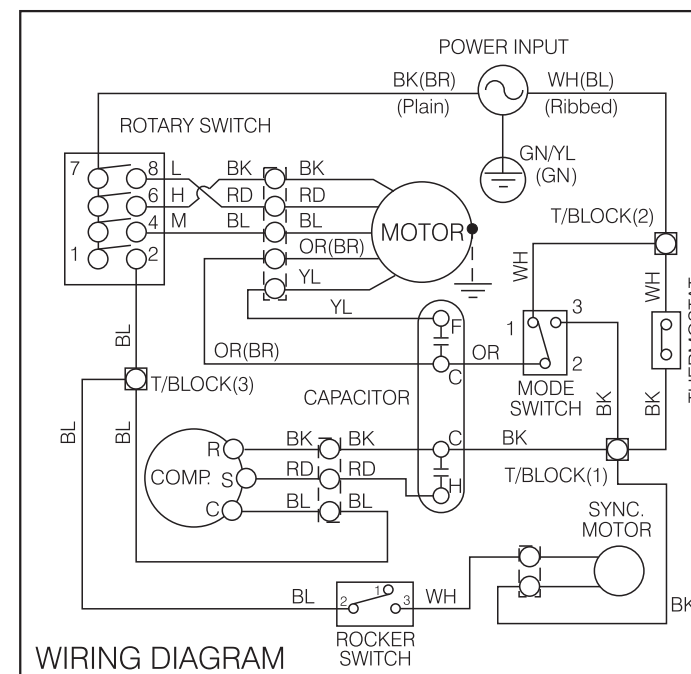
**CAUTION:**

1. Keep head clear of terminal area when cover is removed.
2. Check windings first. If open or grounded, "DO NOT" apply power to compressor terminals.



AGN14AEG1

3828A21002D



WIRING DIAGRAM

