

Technical Data

AGX10ACG1

3828A21002P

DISCONNECT POWER BEFORE SERVICING
IMPORTANT - RECONNECT ALL GROUNDING DEVICES
All parts of this appliance capable of conducting electrical current are grounded. If grounding wires, screws, straps, clips nuts or washers used to complete a path to ground are removed for service, they must be returned to their original position and properly fastened.

IMPORTANT SAFETY NOTICE
This information is intended for use by individuals possessing adequate backgrounds of electrical, electronic and mechanical experience. Any attempt to repair a major appliance may result in personal injury and property damage. The manufacturer or seller cannot be responsible for the interpretation of this information, nor can it assume any liability in connection with its use.

WARNING
DISCONNECT UNIT FROM ELECTRICAL POWER SUPPLY BEFORE MAKING ANY ELECTRICAL CHECKS.
MAXIMUM CURRENT LEAKAGE:
0.75 MILLIAMP - ALL MODELS
MAXIMUM GROUND PATH RESISTANCE:
0.1 OHM - ALL MODELS

CURRENT- TEMPERATURE CHECK DATA(115V)

AIR TEMPERATURE CONDENSER IN °F	COOLING CURRENT	
	MIN.	MAX.
80	6.99	7.01
95	8.83	8.85
110	11.37	11.39

POWER SUPPLY

RATED VOLTAGE	VOLTAGE LIMITS
115	103-127

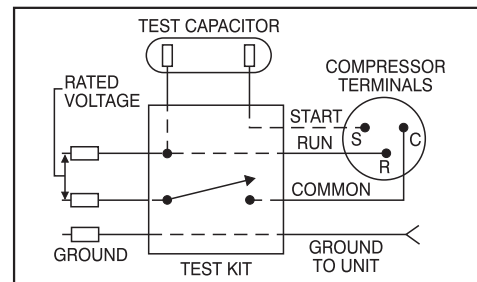
TEMPERATURE DIFFERENTIAL CHECK DATA(115V)

EVAPORATOR AIR TEMP. IN °F (COOLING)	EVAP. AIR TEMP. OUT °F	
	MIN.	MAX.
70	41.7	42.1
80	55.7	55.9
90	62.8	63.1

REPLACEMENT PARTS

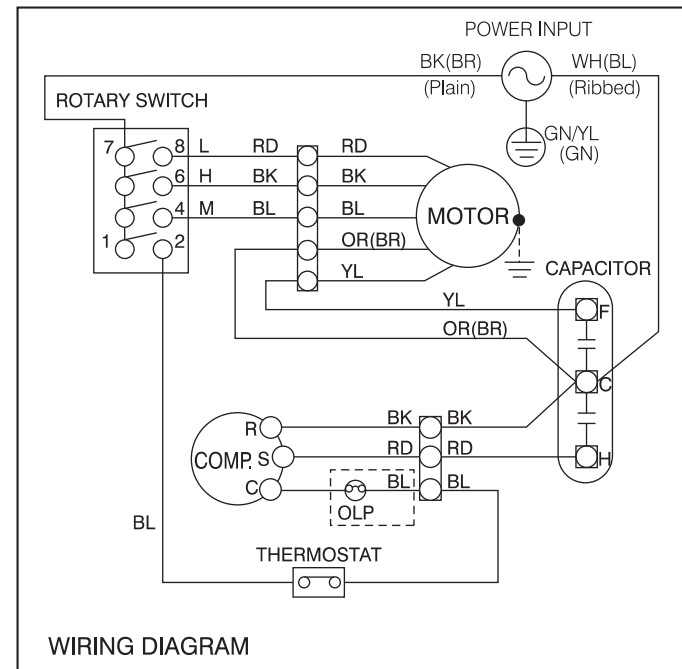
DESCRIPTION	CAT.NO
Capillary Cut to 32" QTY1	WJ53X10045
FAN MOTOR	WJ94X10146
EVAPORATOR	WJ87X10102
CONDENSER	WJ88X10095
FAN BLADE	WJ73X10084
FILTER ASSY	WJ71X10305
CONTROL PANEL	WJ14X10036
THERMOSTAT	WJ28X10037
CAPACITOR	WJ20X10021
COMPRESSOR	WJ98X10143
OLP	WJ23X10014
INSTALLATION/HARDWARE KIT	WJ86X10063

WARNING - COMPRESSOR DIRECT CHECK
CAUTION:
1. Keep head clear of terminal area when cover is removed.
2. Check windings first. If open or grounded, **"DO NOT"** apply power to compressor terminals.

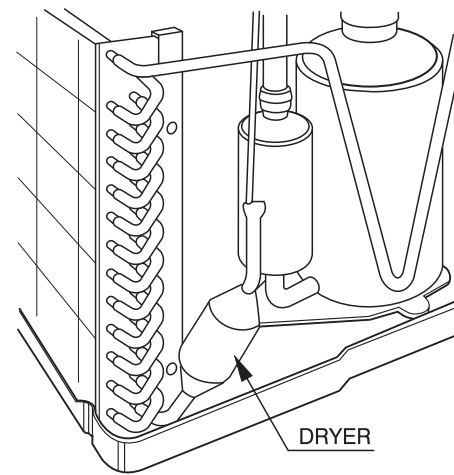


AGX10ACG1

3828A21002P



WIRING DIAGRAM



DRYER