

This Owner's Manual is provided and hosted by [Appliance Factory Parts](#).



LG LSN181HSV Owner's Manual

[Shop genuine replacement parts for LG LSN181HSV](#)



[Find Your LG Air Conditioner Parts - Select From 2330 Models](#)

----- Manual continues below part list -----

Available Replacement Parts for LG LSN181HSV

4280A20004M	Bearing
6871A20259D	Sub Pcb Assembly
EAU62004011	Motor Assembly,dc,indoor
ADQ68719501	Air Cleaner Filter Assembly
EAU57945603	Motor Assembly,dc,stepping
EBG60787304	Thermistor Assembly
MCR60969401	Decor
MDJ56986401	Air Filter
MFH59924301	Horizontal Louver
EAU62004010	Motor Assembly,dc,indoor
4681A20042G	Motor Assembly,dc,stepping
ADP67813503	Cross Flow Fan Assembly



Internal Use Only

<http://biz.lgservice.com>

Room Air Conditioner

SVC MANUAL(Exploded View)

MODEL : AS-W183C2U2 (LSN181HSV / LSU181HSV)

CAUTION

Before Servicing the unit, read the safety precautions in General SVC manual.
Only for authorized service personnel.

Product Specifications

Models		Unit	AS-W183C2U2	
Cooling Capacity		kW	0.90~5.33~8.65	
		Btu/h.	3,070~18,200~29,515	
Heating Capacity		kW	0.90~6.45~11.40	
		Btu/h.	3,070~22,000~38,898	
Power Input	Cooling/Heating	W	1,447/1,850	
Running Current	Cooling/Heating	A	6.3/8.2	
Starting Current	Cooling/Heating	A	6.3/8.2	
EER		W/W	3.69	
		Btu/h.W	12.6	
SEER			18.2	
HSPF			9.7	
Power Supply		Ø / V / Hz	1/208-230/60	
Power Factor		%	98.2	
Air Flow Rate	Indoor,Max	m³/min(CFM)	20.8(735)	
	Outdoor,Max	m³/min(CFM)	60(2,119)	
Moisture Removal		l/h.	2.6	
Sound Level	Indoor,H/ML	dB(A)±3	45/40/35/29	
	Outdoor,Max	dB(A)±3	53	
Refrigerant & Charge (at 7.5 m)		g(oz)	R410A, 1,800(63.5)	
Additional Refrigerant charge		g/m(oz/ft)	35(0.38)	
Compressor	Type		Twin Rotary	
	Model		GJT240DAA	
	Motor Type		Brushless DC Motor	
	Oil Type		PVE(FVD68C)	
	Oil Charge	cc	900	
	O.L.P. name		-	
Fan(Indoor)	Type		Cross Flow Fan	
	Motor Output	W	76.1	
Fan(Outdoor)	Type		Propeller	
	Motor Type		BLDC	
	Motor Output	W	124	
Circuit Breaker*		A	25	
Power Supply Cable		No.*mm²	3*2.5	
Power and Transmission Cable No.*mm²		No.*mm²	4*0.75 (Including Earth)	
Piping Connections	Liquid Side	mm(in)	9.52(3/8)	
	Gas Side	mm(in)	15.88(5/8)	
Drain Hose(O.D / I.D.)		mm(in)	21.5 / 16.0 (0.85 / 0.63)	
Dimensions	Indoor (W*H*D)	mm	1,030*325*250	
		inch	40.6*12.8*9.84	
	Outdoor (W*H*D)	mm	870*800*320	
		inch	34.3*31.5*12.6	
Net Weight	Indoor	kg(lbs)	17(37.5)	
	Outdoor	kg(lbs)	60(132.3)	
Operation Range	Cooling(Outdoor)	°C	-10~48(14.0~118.4)	
	Heating(Outdoor)	°C	-15~24(5~75.2)	
Piping Length (Min/Max)		m(ft)	30(98.4)	
Chargeless		m(ft)	-	
Max. Elevation Difference		m(ft)	15(49.2)	
Tool Code(Chassis)	Indoor + Outdoor		SC + UE1Plus	
Functions	Temperature Control		O	
	Plasma Filter		O	
	Prefilter(washable/anti-fungus)		O	
	Auto Clean		O	
	Auto Swing		O	
	Steps, Fan/Cool/Heat		5/6/6	
	Airflow Direction Control(up&down)		Auto	
	Airflow Direction Control(left&right)		Auto	
	Remote Controller Type		Standard Wired Remocon, Wireless LCD(EZ-Remocon)	
	Setting Temperature	Cooling	18°C~30°C	
	Range	Heating	16°C~30°C	
	Auto Operation (Micom Control)		-	
	Auto Changeover (Micom Control)		O	
	Self Diagnosis		O	
	Timer		24h On/Off	
	Sleep Operation		O	
	Soft Dry Operation		O	
	Restart Delay(minute)		3	
	Device Control(Defrost)		O	
	Hot Start		O	
	Jet Cool, Jet Heat		O	
	Low Ambient Operation		O	
	Special Function		-	
	Network Functions	Dry Contact		O
		Network Solution(LGAP)		O
		P1485		O

Note:

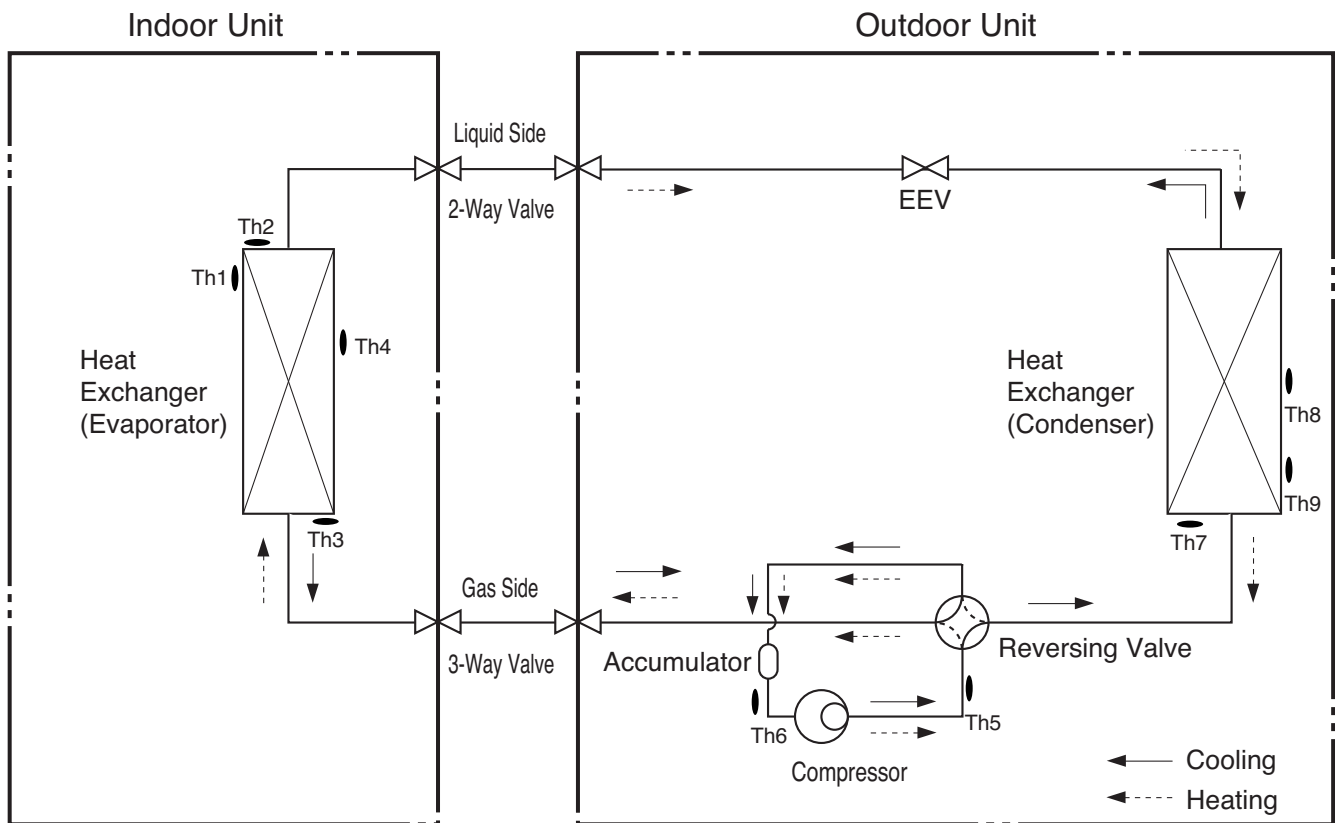
O : Applied, - : No relation

* For circuit breaker rating, please conform to local standards wherever necessary.

* Some of functions are slightly different depending upon models.

* The specification may be subject to change without notice for purpose of improvement.

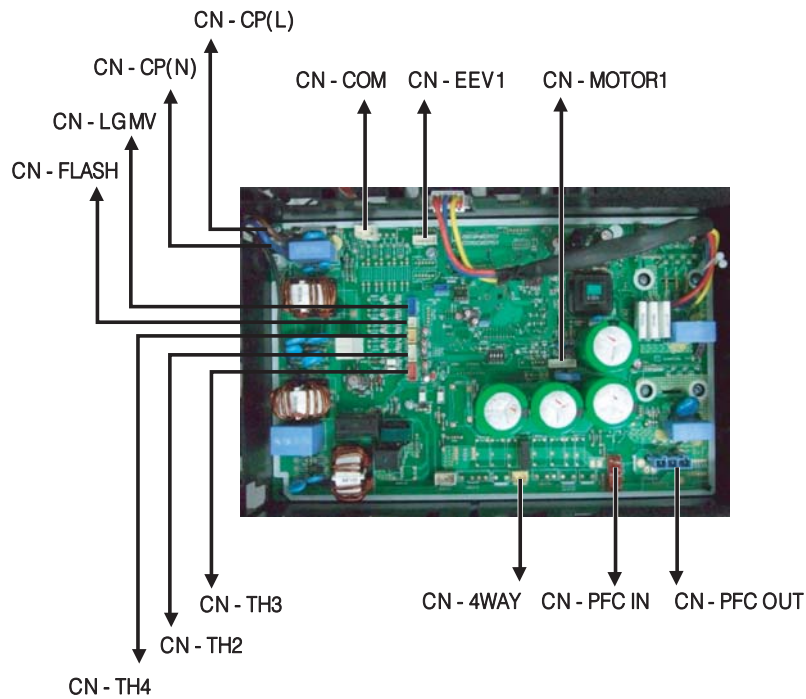
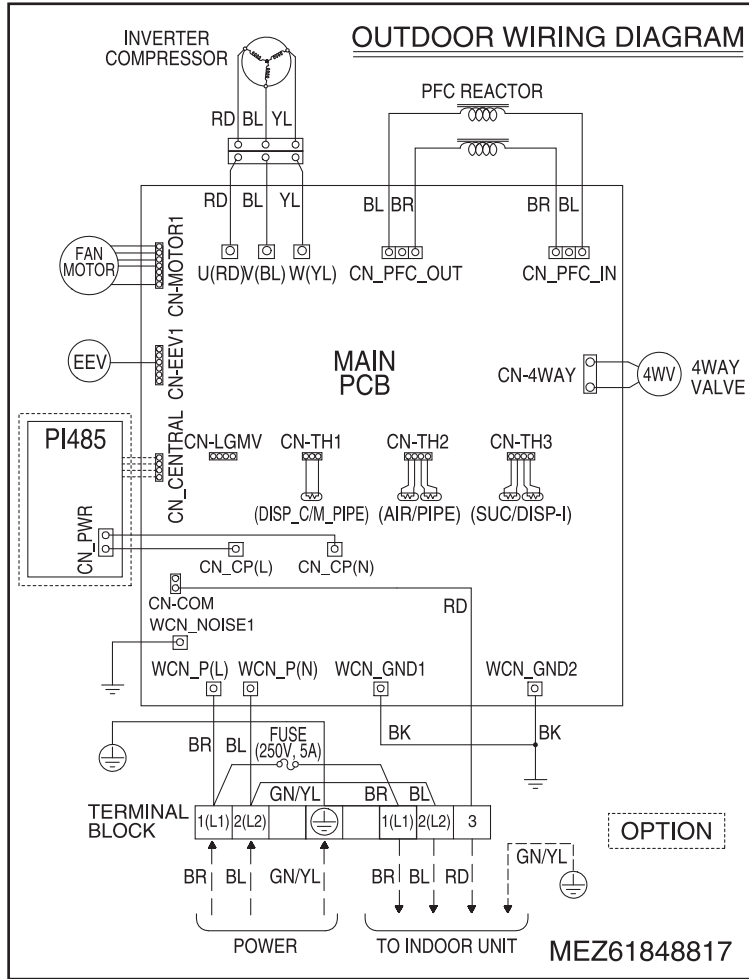
2. Piping Diagrams



LOC.	Description	PCB Connector
Th1	Thermistor for suction air temperature	CN-TH1(Indoor)
Th2	Thermistor for evaporator inlet temperature	
Th3	Thermistor for evaporator outlet temperature	
Th4	Thermistor for evaporator middle temperature	CN-TH3(OUTDOOR)
Th5	Thermistor for discharge pipe temperature	
Th6	Thermistor for suction pipe temperature	CN-TH2(OUTDOOR)
Th7	Thermistor for condensing temperature	
Th8	Thermistor for outdoor air temperature	CN-TH4(OUTDOOR)
Th9	Thermistor for condensing middle temperature	

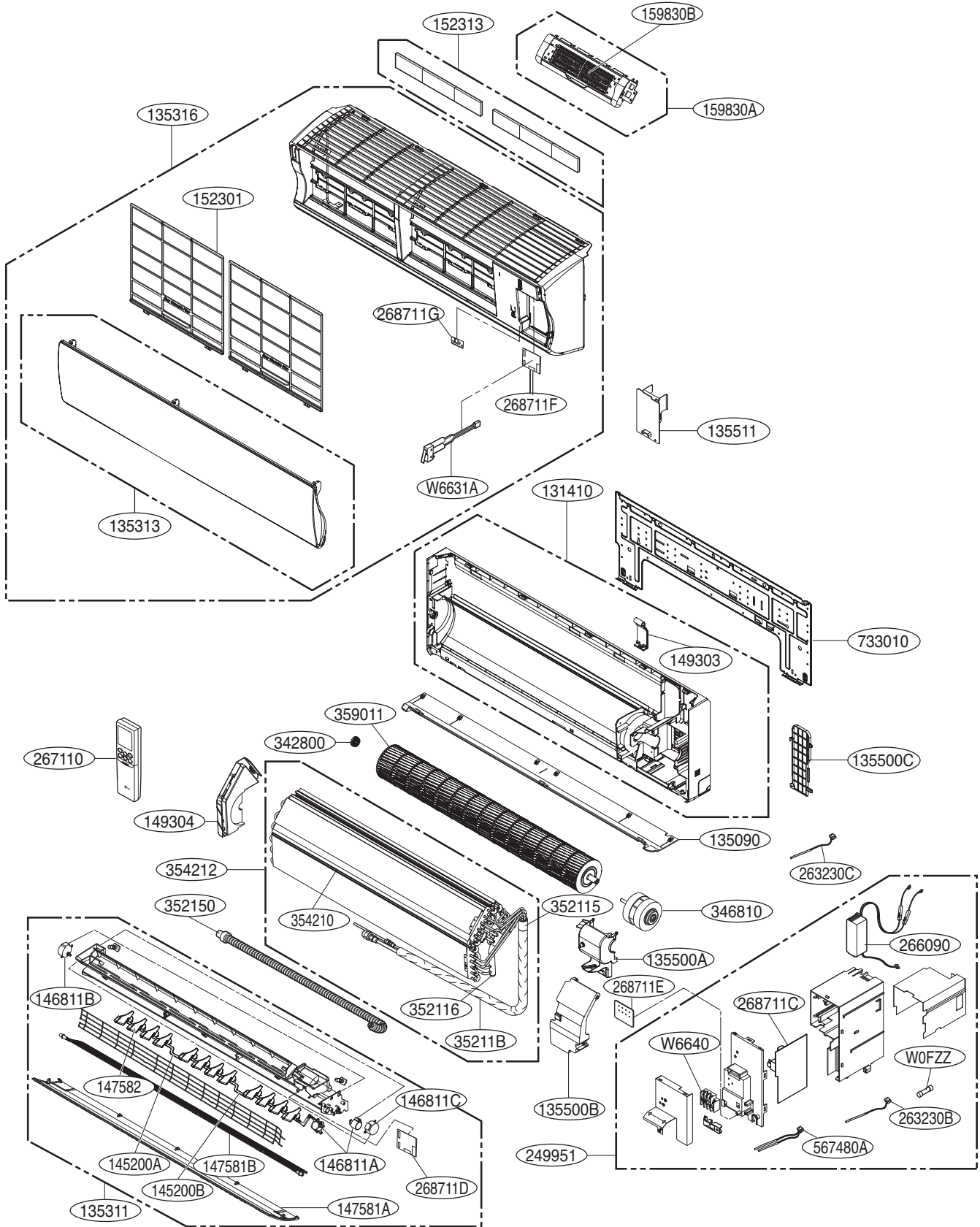
※ EEV : Electronic Expansion Valve

Outdoor Unit

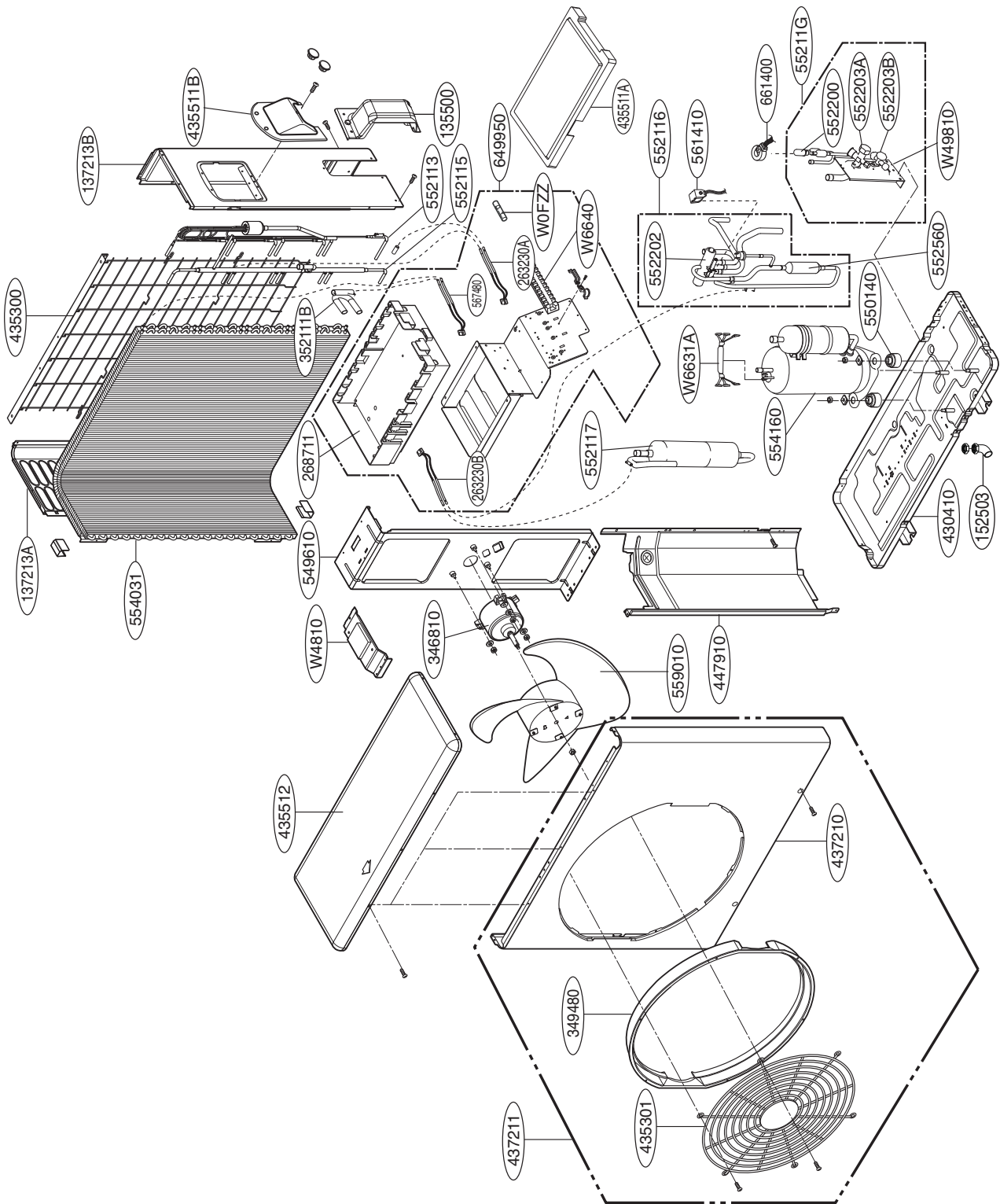


Exploded View

Indoor Unit



Outdoor Unit





P/NO : MFL42201028

May, 2010