

This Owner's Manual is provided and hosted by [Appliance Factory Parts](#).



# LG PQDSA Owner's Manual

[Shop genuine replacement parts for LG PQDSA](#)



[Find Your LG Air Conditioner Parts - Select From 2328 Models](#)

----- Manual continues below -----



Visit us at : <http://www.lgservice.com>

LG

ENGLISH

# LG

## Dry Contact

### **INSTALLATION MANUAL**

*Models: PQDSA  
PQDSB*

#### **IMPORTANT**

- Please read this installation manual completely before installing the product.
- Installation work must be performed in accordance with the national wiring standards by authorized personnel only.
- Please retain this installation manual for future reference after reading it thoroughly.

# TABLE OF CONTENTS

- Safety Precautions.....3~4
- Overview .....5
- Part Description .....7
- Installation Guide .....9
  - Step 1 .....9
  - Step 2 .....10
- Administrator Guide .....11

# Safety Precautions

To prevent injury to the user or other people and property damage, the following instructions must be followed.



■ Incorrect operation due to ignoring instruction will cause harm or damage. The seriousness is classified by the following indications.

ENGLISH

**⚠ WARNING** This symbol indicates the possibility of death or serious injury.

**⚠ CAUTION** This symbol indicates the possibility of injury or damage.

■ Meanings of symbols used in this manual are as shown below.

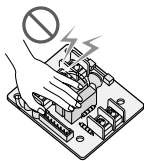
	<b>Be sure not to do.</b>
	<b>Be sure to follow the instruction.</b>

## ⚠ WARNING

### ■ Installation

#### Don't touch with the hands while the power is on

- There is risk of fire or electric shock.



#### Use standard parts(connector).

- Do not disassemble or repair the product. There is risk of fire or electric shock.



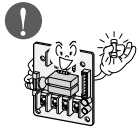
#### For electrical work, contact the dealer, seller, a qualified electrician, or an Authorized Service Center.

- Do not disassemble or repair the product. There is risk of fire or electric shock.



**Use the correctly rated breaker or fuse.**

- There is risk of fire or electric shock.



**Do not install, remove, or re-install the unit by yourself (customer).**

- There is risk of fire, electric shock, explosion, or injury.



**For installation, always contact the dealer or an Authorized Service Center.**

- There is risk of fire, electric shock, explosion, or injury.



**■ Operation**

---

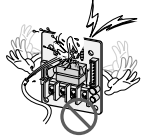
**When the product is soaked (flooded or submerged), contact an Authorized Service Center.**

- There is risk of fire or electric shock.



**Be cautious that water could not enter the product.**

- There is risk of fire, electric shock, or product damage.



## Overview

LG Dry Contact is a solution for automatic control of air conditioning system at the owner's behest. In simple words, it's a switch which can be used to turn the unit On/Off after getting the signal from external sources like key-in lock, door or window switch etc specially used in Hotel rooms.

It's a small PCB that either can be fit inside the control box of Indoor unit or can be outside the unit in a plastic case if there is no sufficient space inside the Indoor unit.

Apart from simple installation, it can also be linked to Central Controller via Indoor unit P1485 pcb. For this, all connecting wires & an additional small pcb for looping is also provided along with Dry Contact.

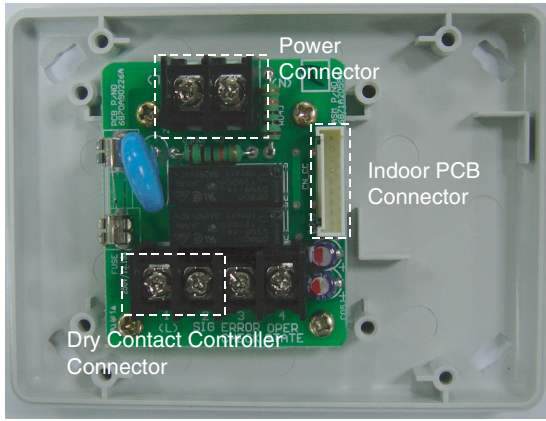
Dry Contact can be used in two ways.

1. It can be used to actually turn On/Off the system on receiving the signal from the source. In this case, user doesn't need to use remote controller anymore to turn On/Off the system. However all the further settings like temperature, fan speed, mode etc can be done through remote controller only.
2. Other way is almost similar as above but in this case, after getting the On signal from the external source, user has to turn On the system from remote controller only. Dry contact just activates the system. However system can be turned Off directly from the external source. So only On mode is different here.

So in both of above conditions, system can't be operated without signal from external source which prevents unnecessary use of system & facilitates its operation only when its required.

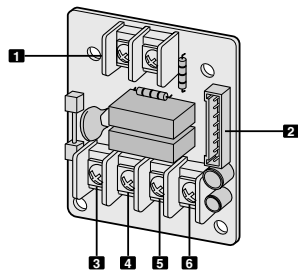
These settings can be selected from the remote controller whose details have been explained in the later part of this manual

So depending upon the requirement, Dry Contact offers a variety of applications to suit the customer's requirement in the best possible way.



## Part Description

### PQDSA (Only PCB)

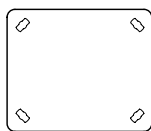


ENGLISH

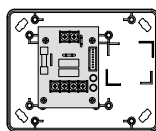
### PQDSB (PCB + Case)



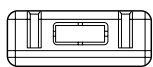
[Top case]



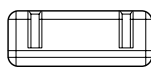
[Bottom case]



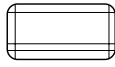
[ PCB ]



[Side]



[Side]



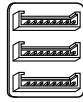
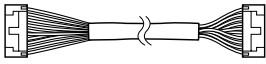
[Side]

- 1** CN-POWER : AC 220V Connector
- 2** CN-CC : Indoor PCB Connector
- 3** CN\_DRY ( L ) : DRY CONTROLLER Connector
- 4** CN\_DRY ( SIG ) : DRY CONTROLLER Connector
- 5** CN\_DRY ( ERROR CHECK ) : ERROR Check Display Connector
- 6** CN\_DRY ( OPER STATE ) : Operation Display Connector

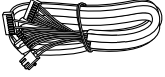
**Accessory**



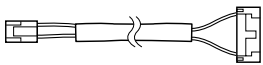
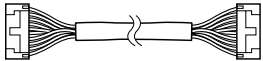
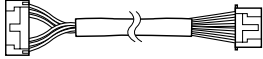
**Cable 1EA**  
(for Central controller)



**Connecting PCB**  
(6871A30056A)  
\*for Central Controller



**Cable 3EA**  
(for connecting with indoor unit)



[Structure of each cable]



**Dry contact**  
(For installation, 4EA)



**Dry contact - 4EA**  
(For assembly the case)



**User/Installation**  
**Manual**

**\*Note**

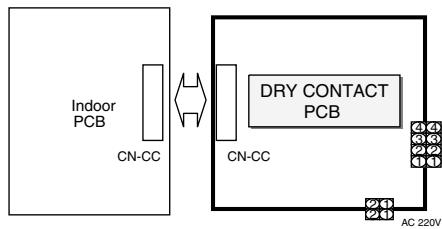
- These cable using for connection between Dry contact and Indoor unit.
- So before using these things Please check the connector type first and use cables on proper indoor unit.

# Installation Guide

## Step 1

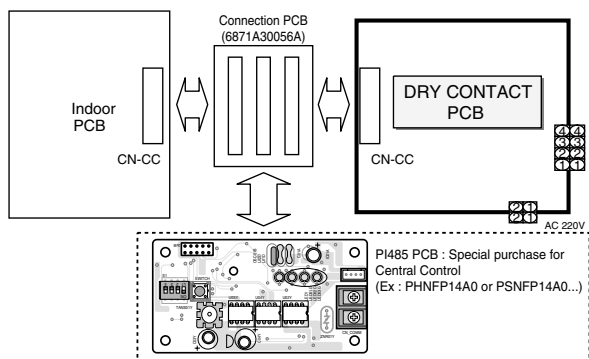
Connect CN-CC with Indoor PCB by the cable(provided)

- Connection of Dry contact only



ENGLISH

- Connection of Dry contact & LG Central Controller in case of single constant models.



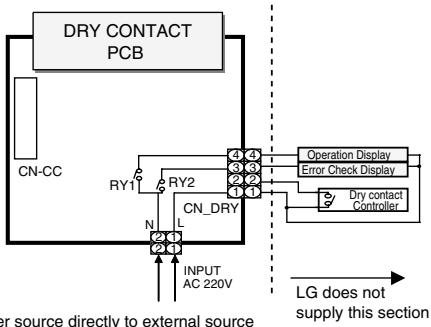
\* Single Only

- When you install single product this PCB have to add.

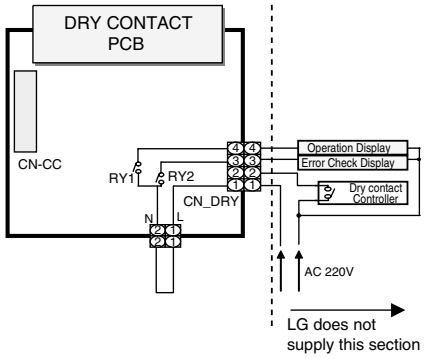
## Step 2

Connect CN\_DRY with Control Unit.  
(Fix SUB PCB into the proper location.)

- To apply power source through PCB



- To apply power source directly to external source

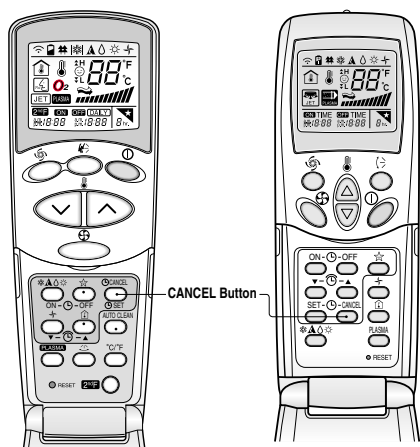


# Administrator Guide

## \* Function

It gives selection whether to turn ON the unit directly or not from the external source. The selection can be made by pressing CANCEL button of the wireless remote controller 3 times within 3 minutes of resetting the unit with facing it towards the unit. (This function availability depends on indoor unit model)

ENGLISH



1. To turn ON the unit directly from the external source
2. Not to turn ON the unit directly from the external source.  
Only to activate the system.

**!** If the power gives out, the Air conditioner may be run to before state after power returns because Air conditioner's function of interruption of electric power compensation.



P/No.: 3828A20494A

Printed in Korea

**After reading this manual, keep it in a place easily accessible to the user for future reference.**