

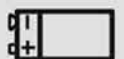


## 27" GRILL

### Parts List



**MODEL:**  
DCS27D-BQN  
**PRODUCT CODE:**  
234653





## PRODUCT

**Brand** DCS  
**Voltage**  
**Model** DCS27D-BQN  
**Product Code** 234653

**Fisher & Paykel Appliances**  
5900 Skylab Road, Huntington Beach,  
CA 92647  
Customer Care: (888) 281-5698  
Fax: (714) 372-7003  
[www.dcsappliances.com](http://www.dcsappliances.com)  
[support@dcsappliances.com](mailto:support@dcsappliances.com)



## CONTENTS

GRILL BURNER COMPONENTS .....	6
GRILL BODY COMPONENTS .....	8
CART COMPONENTS .....	10

### GUIDE TO USING THIS MANUAL

The model covered by this manual is listed on the front cover.

The information detailed in this manual is subject to change without notice. The latest version is indicated by the reprint date and replaces any earlier editions.

The front cover picture shows the type of product and may not necessarily be an exact image of the model covered by the manual.

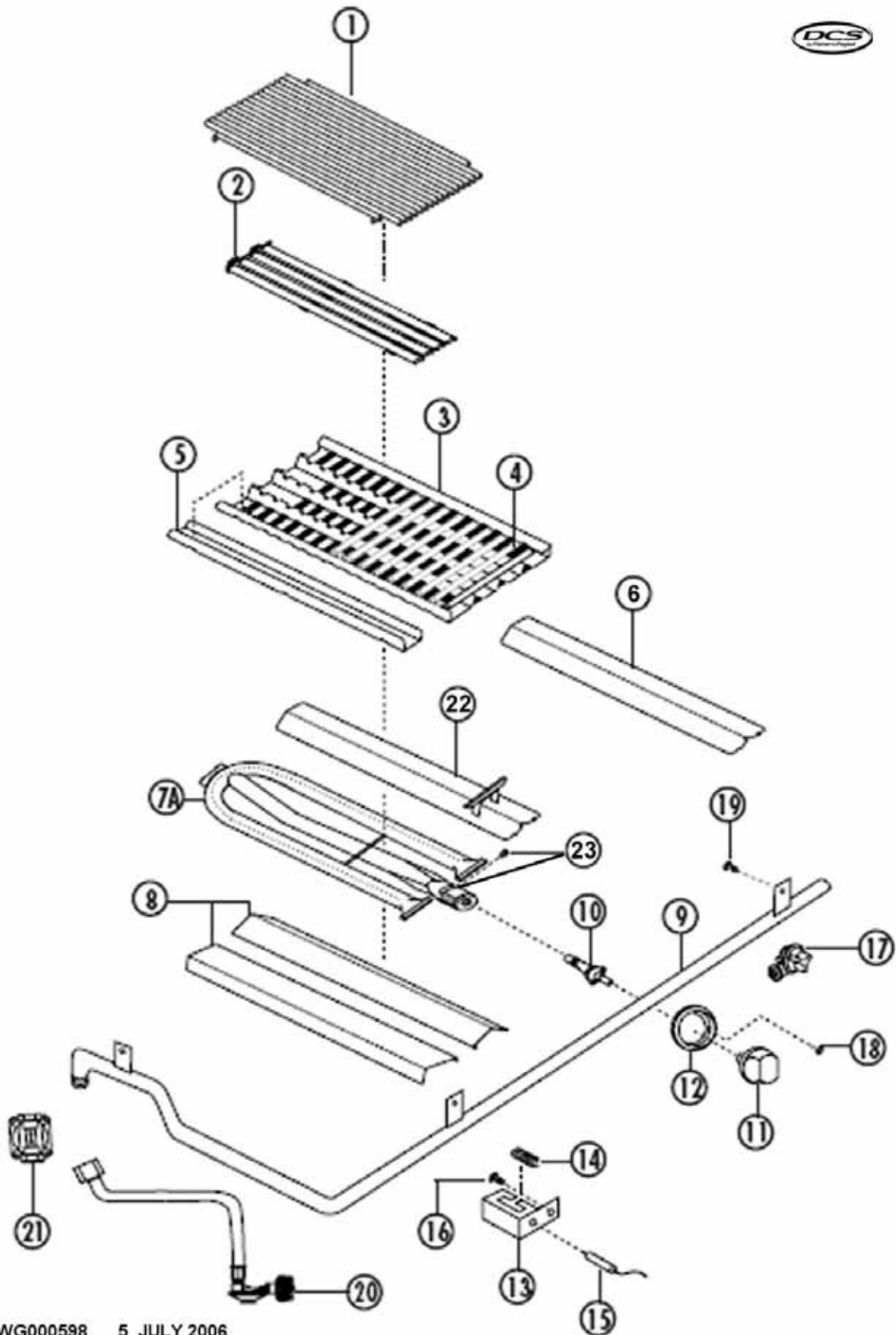
#### Kit Parts

Kit components are shown in *italics*. Where a part number is shown against the descriptions for these kit components, they are also available as separate items. In addition, some parts may be supplied with these kits that are not available as separate items, and are therefore either not listed, or a part number is not shown against the part description in this manual.

#### Parts List Key

<i>italics</i>	Kit components or parts included are shown in <i>italics</i> . Refer to above notes: Kit Parts.
NI	As a part reference, indicates the part is not illustrated on the diagram.
NOT USED	As a part number, indicates the diagram part reference is not used in this manual.

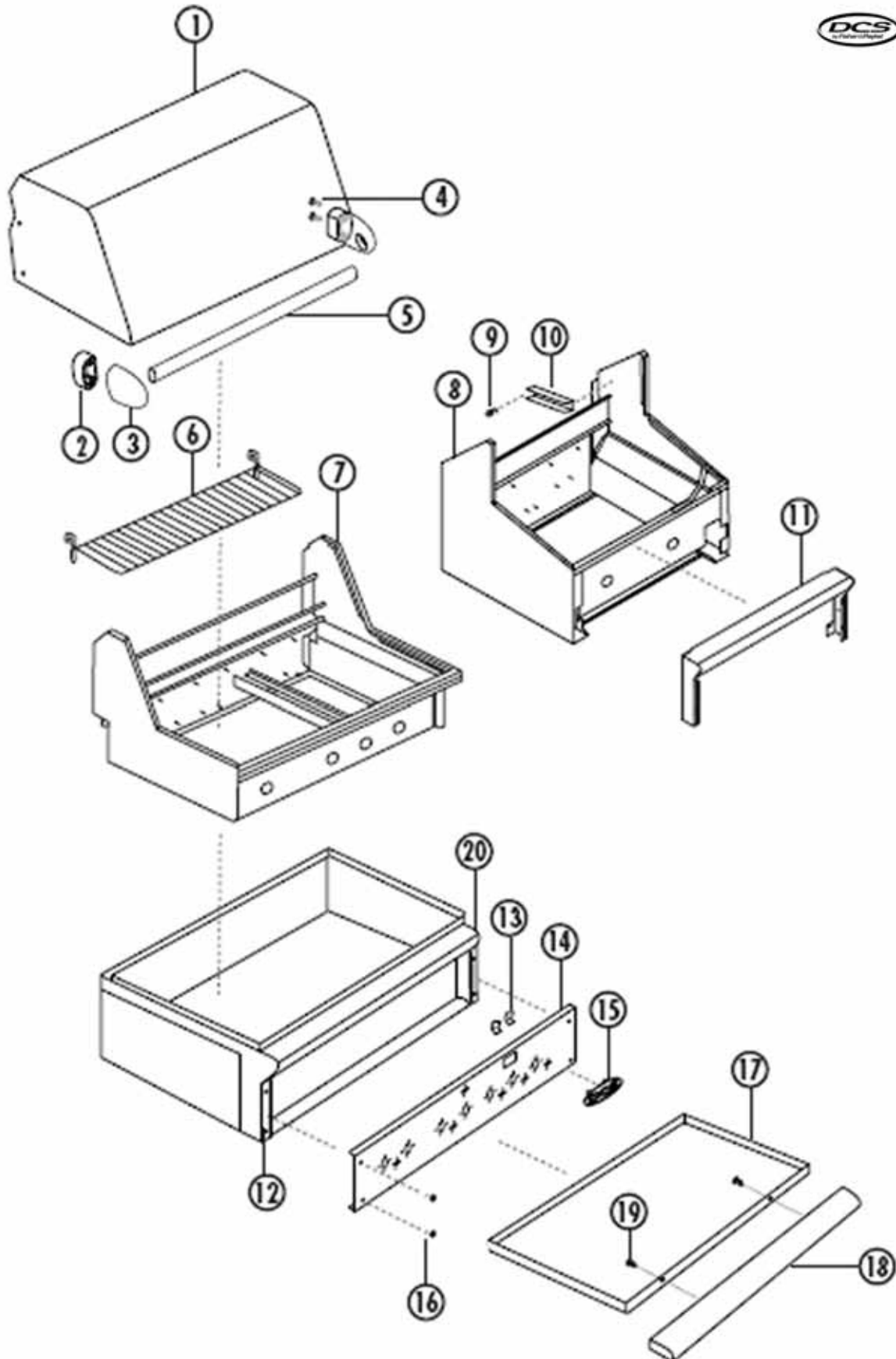
# GRILL BURNER COMPONENTS



**GRILL BURNER COMPONENTS**

<b>REF</b>	<b>PART</b>	<b>DESCRIPTION</b>
1	212426	GRILL RACK 27D
2	NOT USED	ITEM NOT USED IN THIS MODEL
3	213997	RADIANT BGA
4	214006	CERAMIC ROD 9.50
5	214046	END CAP RADIANT BGA
6	213999	HEAT SHIELD CENTER
7	213995	BURNER W/A
8	214151	HEAT SHIELD BURNER 27D
9	212157	MANIFOLD 27BBQ
10	210733	GAS ON/OFF VALVE O.D. B.B.Q
11	211043	CONTROL KNOB BBQ
12	210935	BEZEL, CHROME PLATED
13	214293	COLLECTOR BOX BG
14	214118	WIRE COIL
15	211715	ELECTRODE D
16	211247	SM 6X3/8 PH PN HD TY A SS
17	219343	KIT, ROTARY IGNITER & KNOB BBQ
18	211248	SMS 6-32X3/8 PH PN TY F SS
19	211227	MS 10-24X1/4 PH TR HD SS
20	210819P	90 DEG/HOSE ASSY QCC-1 PKD
21	210765P	REGULATOR - 4.0 WC PKD
22	214048	HEAT SHIELD CENTER W/A
23	243880	AIR SHUTTER, SCREW TUBE BURNER

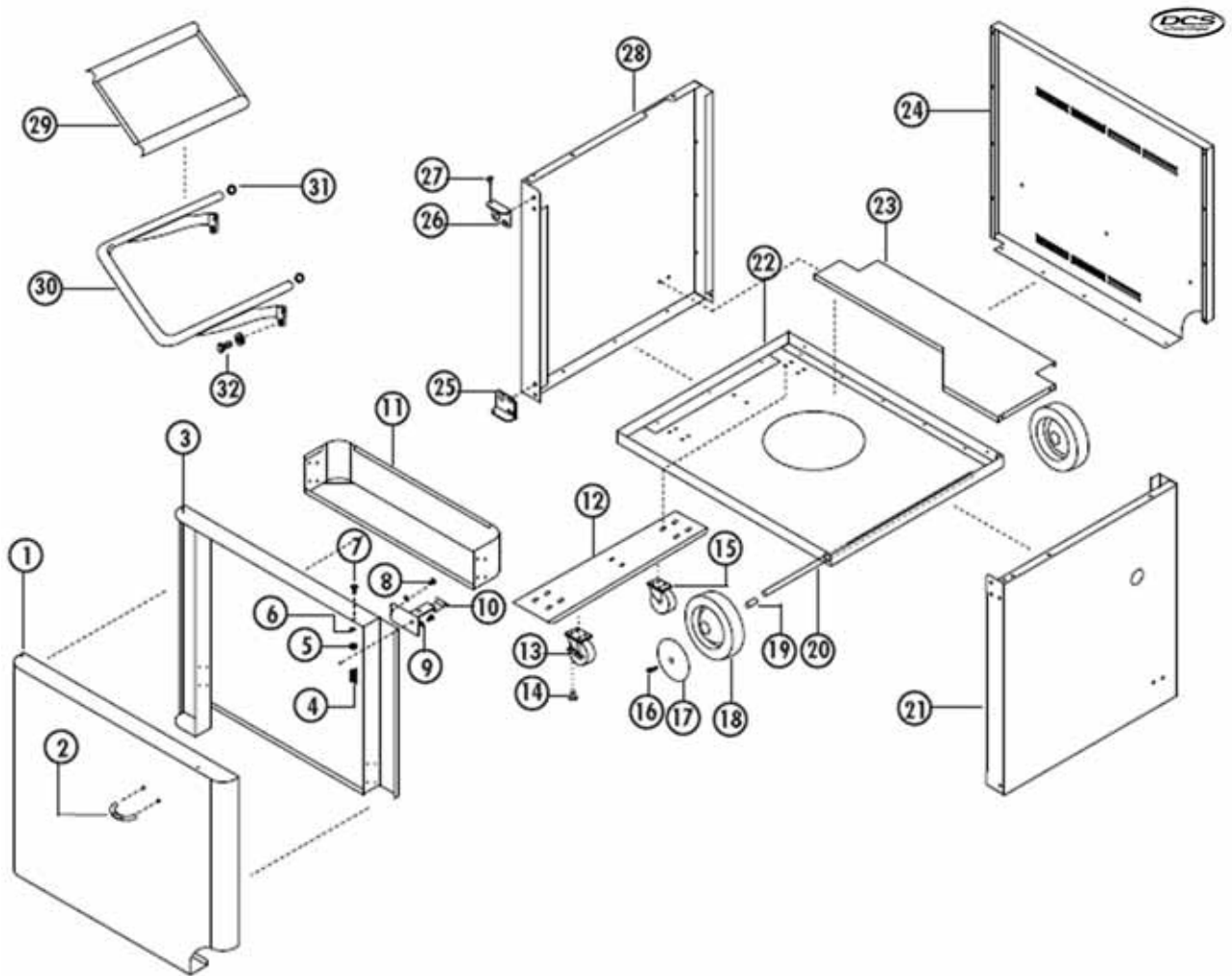
# GRILL BODY COMPONENTS



**GRILL BODY COMPONENTS**

<b>REF</b>	<b>PART</b>	<b>DESCRIPTION</b>
1	213424	LID ASSY 27D
2	212253	SPACER HANDLE END CAP BBQ
3	212245	END CAP DOOR HANDLE PLATED
4	211439	BLT SHLDR SS 5/16-18X5/8
5	213790	HANDLE 27BQ
6	214119	WARMING RACK
7	NOT USED	ITEM NOT USED IN THIS MODEL
8	214051	BODY W/A 27D-BQ
9	211287P	MS 10-24X3/4 PH TR HD SS (10 PK)
10	214154	WARMING RACK RETAINER 27 L/H
	214155	WARMING RACK RETAINER 27 R/H
11	213780	LANDING LEDGE W/A 27 BQ
12	211410	NUT W/RET 8-32
13	211419P	LOGO - CLIP (2 PK)
14	214058	VALVE PANEL 27D-BQ PTD
15	211924	LOGO SMALL 96 BLACK OVAL
16	211300P	SCREW 8-32X1 TORX FL HD (10 PK)
17	214043	DRIP PAN 27D-BQ
18	213777	DRIP PAN HANDLE W/A 27 BQ
19	237354	MS10-24X3/8 PH TR HD SS (10 PK)
19	211352P	NUT HEX 10-24 SS (10 PK)
20	NOT USED	ITEM NOT USED IN THIS MODEL

# CART COMPONENTS



DWG000601 5 JULY 2006

**CART COMPONENTS**

<b>REF</b>	<b>PART</b>	<b>DESCRIPTION</b>
1	214534	FRONT DOOR PANEL
2	212278	PULL HANDLE 36/48D BBQ 131/132
3	214535	DOOR LINER
4	211505	SPRING
5	218150	NUT HEX 10-24 KEPS SS (10 PK)
6	211507	WASHER NYLON 3/8X3/16X1/16
7	218132	MS10-24X1/2PH TR TY23 SS (10 PK)
8	211478	SM M4X10MM SS PH
9	218150	NUT HEX 10-24 KEPS SS (10 PK)
10	214537	CATCH BRACKET
11	214544	DOOR POCKET
12	214545	CASTER STIFFENER 27F CSS
13	212146	CASTER LOCKING 3
14	211487	1/4-20X1/2 SS CARRIAGE BOLT
15	212147	CASTER W/O BRAKE 3
16	211300P	SCREW 8-32X1 TORX FL HD (10 PK)
17	214478	HUB CAP SPINNING
18	212198	WHEEL 6
19	214549	AXLE SPACER 27F CSS
20	214547	AXLE, 27F CSS
21	214543	SIDE PANEL, R/H
22	214546	BOTTOM PANEL 27F CSS
23	225012	TANK RETAINER 27 F CSS
24	214536	BACK PANEL 27F CSS
25	214539	HINGE BRACKET BOTTOM
26	214538	HINGE BRACKET TOP
27	211407	PIN-WELD 10X5/8 SS
28	214542	SIDE PANEL, L/H
29	214466	SIDE SHELF TRAY
30	212287	SIDE SHELF BAR
31	211099	BLACK PLUGS
32	211323P	HEX 1/4-20X1/2 FUL TH SS (10 PK)