

This Owner's Manual is provided and hosted by [Appliance Factory Parts](#).



Wolf W482718 Owner's Manual

[Shop genuine replacement parts for Wolf W482718](#)



[Find Your Wolf HVAC Parts - Select From 108 Models](#)

----- Manual continues below -----

MODEL W482718, W542718, W602718, W662718 PART LIST

<u>Ref #</u>	<u>Part #</u>	<u>Description</u>	<u>Ref #</u>	<u>Part #</u>	<u>Description</u>
1	805317	Screw, #8 X 1/2 Pan HD. Phil. S/M (6)	15	805341	3-Hole Bezel, Switch
2	805345	21-1/4" X 8 -1/2" To 10" Rnd Trans.	16	805330	Fan Speed Control
3	805432	Removable Back Panel 48"	17	805331	Light Switch Control #83
	805433	Removable Back Panel 54"	18	805332	Heat Lamp Switch Control #82
	805434	Removable Back Panel 60"	19	805406	Grease Cup 48"-54" Hood (22.832) (2)
	805435	Removable Back Panel 66"		805488	Grease Cup 60"-66" Hood (19.186) (3)
4	805346	Electrical J-Box	20	805334	Baffle Filter, 11-7/8" X 11-7/8" (**)
5	806337	Mount. Plate, WBLOWER120INT (****)	21	805342	3-Hole Electrical Outlet
6	805320	Nut, 10-24 Hex Flange Lock (8)	22	805436	Heat Lamp Bracket Cover (2)
7	804702	1200 CFM Blower (****)	23	805437	Heat Lamp Bracket (2)
8	805339	Nut, 1/4-20 Hex Flange Lock	24	N/A	Heat Mount
9	805323	Thermostat, Hi-Temp. Sensor	25	805344	Heat Lamp (2)
10	805324	Electrical Terminal Block	26	N/A	Heat Lamp Cover
11	805325	Light Socket, Ceramic (*)	27	N/A	Bottom Track (30", 36" 42")
12	805326	Light Holder (**)	28	N/A	Inner Side (Left & Right)
13	805327	Halogen Light, 50 Par. 20/Cap (**)	29	N/A	Lower Shroud
14	805328	Knob, Switch Control (3)	30	806340	Runner, 42", 54", 66" Wallhoods (2)

NOTES:

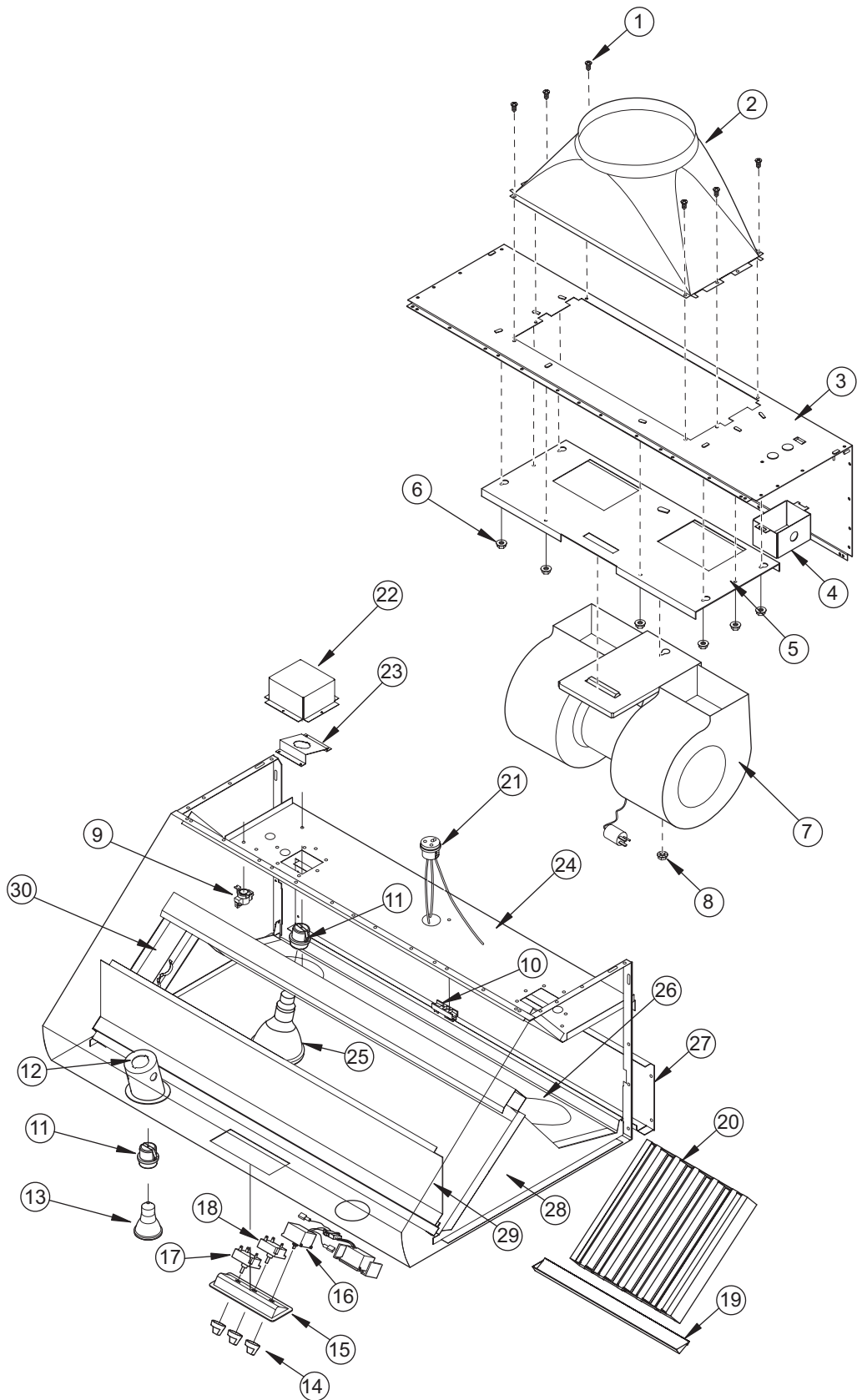
(*) 5) 48", 54", 60", 66" wide

(**) (3) 48", 54", 60", 66" wide

(***) (4) 48", 54"
(5) 60", 66" wide

(****) Not Included with Hood (Sold Separately)

MODEL W482718, W542718, W602718, W662718 EXPLODED VIEW



NOTE: Can use 1200 CFM internal blower with these models (not included), or remote blower (not included).