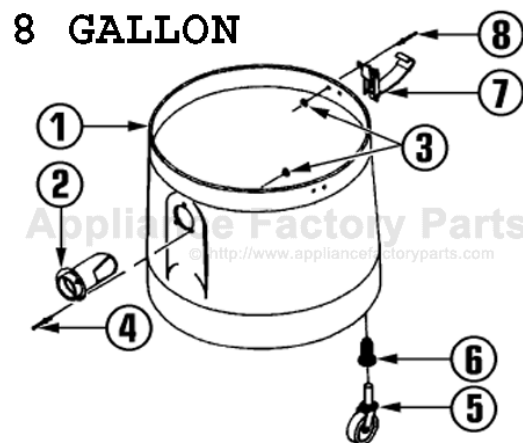


This Owner's Manual is provided and hosted by [Appliance Factory Parts](#).



MASTERCRAFT P41510WAF Owner's Manual

[Shop genuine replacement parts for MASTERCRAFT
P41510WAF](#)



[Find Your MASTERCRAFT Vacuum Cleaner Parts - Select From 99 Models](#)

----- Manual continues below -----

SAFETY & OPERATION INSTRUCTIONS

HAZARDOUS WASTE DRY & WET/DRY VACUUMS

This unit is intended for commercial use.



This vacuum has been specifically designed to clean up hazardous dust. Special filters reduce the incidence of airborne dust that would be created by other methods of cleaning.

During removal of hazardous dust, **DO NOT** sweep, scoop, shovel or in any manner handle other than by vacuuming.

DO NOT at any time attempt to remove, substitute, bypass or by any other means change the filters in the vacuum.

Use only manufacturer's approved vacuum filters and filters bags.

Before attempting to use or before cleaning, be sure that you fully understand the instructions for setting up or cleaning/changing of filters in this HEPA vacuum.

Any health hazards associated with use of this unit in conjunction with the pickup of hazardous material has not been investigated by Underwriters Laboratories, Inc.

DO NOT use this vacuum until all safety instructions and procedures have been read. Improper use could cause damage to the unit of the special filters employed.

Special filters are required in this hazardous waste vacuum.

HEPA Filter

Certified absolute filter rated with a minimum efficiency of 99.97% at 0.3 microns.

2-Ply Disposable Paper Filter Bag

Contains the bulk of all debris and protects the remaining filters from excess dirt (for dry pickup only).

2-Ply Disposable Intermediate Filter

Made of very fine non-woven material that extends the life of the expensive high-efficiency particulate air (HEPA) filter.

INTENDED USE OF THIS VACUUM

READ ALL INSTRUCTIONS

STEEL TANK VACUUM DRY OPERATION INSTRUCTIONS



CAUTION:

To insure a snug fit, make sure the area around the lid and top edge of vinyl sealing gasket is free of dirt and other foreign matter.

Unpacking the HEPA Vacuum

1) Open carton and lift out the vacuum. Unsnap hold-down clamps, remove motor head, HEPA filter w/2-ply intermediate filter. Carefully set aside.

2) Remove 2-ply intermediate filter, 2-ply disposable paper filter bags, 6 mil (OSHA Approved) poly bags, hose and attachments from inside vacuum tank.

HEPA Filter Assembly Installation

1) Arrange a 6 mil poly bag in bottom of the tank as shown in the illustration.

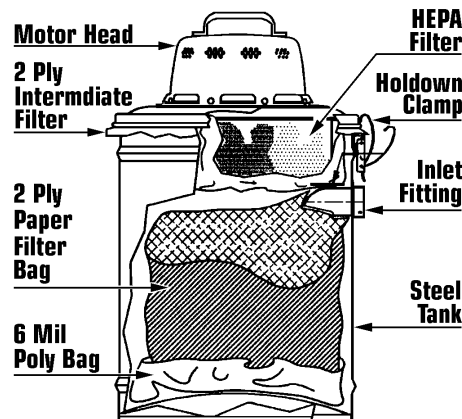
2) Install a 2-ply disposable paper filter bag onto the inlet fitting by holding on to

the free ends of cardboard attached to paper bag and pull it forward over the inlet fitting so that the cardboard is as close to the tank's wall as possible.

3) Place the 2-ply intermediate filter in position on top of tank and fold edge over the outside of tank, overlapping it approximately one inch.

Note: On a new HEPA Vacuum the 2-ply intermediate filter is already installed on the HEPA filter.

4) Insert HEPA filter, being careful not to move the 2-ply intermediate filter. The HEPA filter's sealing gasket must sit evenly on the tank's rim so that an air tight seal will be obtained.



5) Replace motor head assembly on top of the HEPA filter so it is seated on top of the vacuum tank and re-snap hold-down clamps.

STEEL TANK VACUUM WET OPERATION INSTRUCTIONS

In order to use this vacuum for wet pickup you must install the wet pickup conversion kit. This kit is shipped with the vacuum if it was ordered for wet and dry operation. Otherwise you must order the Wet HEPA Conversion Kit for wet pickup.

Wet HEPA Conversion Adaptor Installation:

1) Carefully remove motor head, HEPA filter, 2-ply intermediate filter, and set aside.

2) Remove 6 mil poly bag and disposable paper bag if they are in the tank.

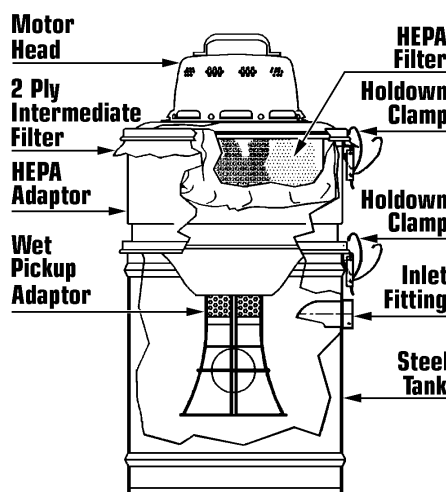
Follow instruction on page 4 for removing a loaded disposable paper filter bag.

3) Set the wet pickup adaptor on the tank's rim.

4) Set the HEPA adaptor on top of the wet pickup adaptor and snap down hold-down clamps.

5) Follow Installation Instructions for HEPA Filter Assembly above - No's 3, 4, and 5.

To order a Wet HEPA Conversion Kit, use Part No 399205 for 14" vacuum and Part No 394505 for 16" vacuum.



The kit includes a HEPA adaptor, wet pickup adaptor and squeegee tool.

CAUTION:



Never operate this vacuum cleaner without a primary HEPA filter. The 2-ply disposable paper filter bag (for dry operation) or wet pickup adaptor (for wet operation) and NEVER, NEVER without a 2-ply intermediate filter in position. Motor damage, loss of operating efficiency and circulation of hazardous material into the work area will take place.

POLY TANK VACUUM DRY OPERATION INSTRUCTIONS

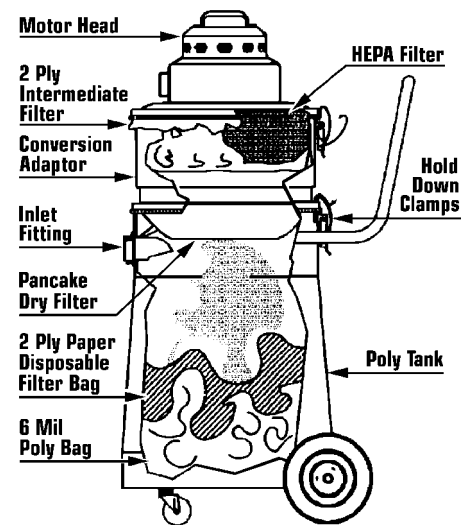
Unpacking the HEPA Vacuum

Poly hazardous vacuums are shipped in 2 cartons and requires a HEPA adaptor for dry or wet operation.

- 1) Open the larger carton and remove the vacuum.
- 2) Unsnap the holdown clamps, and lift off the motor head, pancake dry filter and carefully set aside.
- 3) Unpack the 2-ply disposable bag, 6 mil (OSHA Approved) poly bag, attachments and hose from inside the tank.
- 4) Unpack the second carton and remove the HEPA adaptor and HEPA filter w/2-ply intermediate filter installed.
- 5) Firmly grasp speed pin on each side of handle and pull up and out. Slowly pull handle away from tank, align front handle holes with holes in handle bracket.
- 6) Insert speed pins through holes on both sides lock handle in position.

HEPA Filter Assembly Installation

- 1) Arrange a 6 mil poly bag in bottom of vacuum tank as shown in the illustration.
 - 2) Install a 2-ply disposable paper filter bag onto the inlet fitting by holding on to the free ends of cardboard attached to paper filter bag and pull it forward over the inlet fitting so that the cardboard as close to the tank's wall as possible.
 - 3) Place the 2-ply intermediate filter in position on top of tank and fold edge over the outside of tank, overlapping it approximately one inch.
- Note:** On a new HEPA Vacuum the 2-ply intermediate filter is already installed on the HEPA filter.



- 4) Set pancake filter on the tank, being careful not to move the 2-ply intermediate filter.
- 5) Place conversion adaptor on top of the pancake filter and engage holdown clamps.
- 6) Insert HEPA filter. The HEPA filter's sealing gasket must sit evenly on the tank's rim so that an air tight seal will be obtained.
- 7) Replace motor head assembly on top of the HEPA filter so it is seated on top of the tank and re-snap holdown clamps.

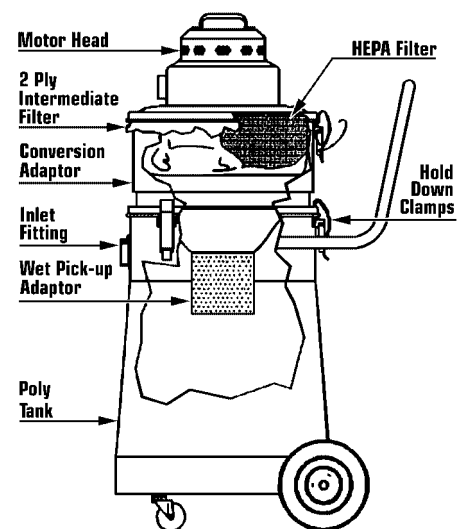
POLY TANK VACUUM WET OPERATION INSTRUCTIONS

In order to use this vacuum for wet pickup the pancake dry filter is replaced with a wet pickup adaptor.

Wet/dry models are shipped with the wet pickup adaptor and squeegee tool. If your unit was ordered for dry pickup only you must order a Wet Conversion Kit (PN 305987).

- 1) Carefully remove motor head, the HEPA filter w/2-ply intermediate filter, HEPA adaptor and pancake dry filter. Set aside.
- 2) Remove the disposable paper bag and 6 mil poly bag from the tank. Follow instruction on pg 4 for removing a loaded disposable paper filter bag.

- 3) Set wet pickup adaptor on tank's rim.
- 4) Set HEPA adaptor on top of the wet pickup adaptor and snap down holdown clamps.
- 5) Place the 2-ply intermediate filter in position on the conversion adaptor, folding edges over the outside, overlapping it approximately one inch.
- 6) Insert HEPA filter. The HEPA filter's sealing gasket must sit evenly on the tank's rim so that an air tight seal will be obtained.
- 7) Replace the motor head assembly on top of HEPA filter so it is seated on top of the tank and re-snap holdown clamps.



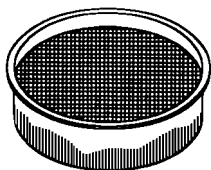
CAUTION:

Always unplug the vacuum from the power source before changing filters.



WHEN TO CHANGE FILTERS

HEPA Filter

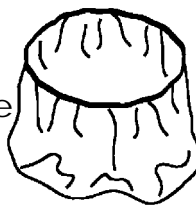


Replace the HEPA filter when loss of vacuum continues to occur after you have checked for an obstructions in hose or wand. Install a new 2-ply disposable paper filter bag and 2-ply intermediate filter.

Reorder Nos:

14" Vac - Part No 382507
16" Vac - Part No 382515

2-Ply Intermediate Filter



The 2-ply intermediate filter should be replaced with every fifth change of paper bag and whenever there is damage or a visible collection of debris on the outside of the filter.

Reorder Nos:

14" Vac - Part No 347515
16" Vac - Part No 363375

2-Ply Disposable Paper Filter Bags



When the disposable paper filter bag is $\frac{3}{4}$ it **MUST** be replaced. Excessive over filling of this bag makes it difficult to remove from vacuum tank and can result in breakage and spills.

Reorder Nos:

14" Vac - Part No 306177
16" Vac - Part No 363936

PROCEDURES FOR REMOVING CONTAMINATED FILTERS & CLEANING A CONTAMINATED TANK



CAUTION:

For the benefit of your health, always wear gloves and an OSHA approved face mask for use with hazardous materials any time you are operating or cleaning this vacuum cleaner.

2-Ply Disposable Paper Filter Bag

- 1) Carefully and slowly remove motor head, HEPA filter w/2-ply intermediate filter. If using a poly tank remove HEPA adaptor and pancake filter. Set aside.
- 2) Using a damp cloth, wipe down all exposed surfaces inside of tank and set cloth down. **DO NOT** discard the cloth.
- 3) Lay vacuum tank on its side with inlet on top, carefully and slowly push cardboard off air inlet tube.
- 4) Remove paper backing from sealing flap located over cardboard collar. Press sealing flap firmly over the opening to prevent spill back of recovered materials.
- 5) Reach down into the tank and pull the 6 mil poly bag up and around the 2-ply disposable paper filter bag.

6) Slowly and very carefully slide both bags out of tank, using care not to puncture the bags with inlet.

7) Wipe off any surface that has not been previously wiped with the damp cloth including the entire inside of tank.

8) Place the damp cloth in the OSHA approved 6 mil poly bag with the 2-ply disposable paper filter bag. Re-order part no 396184 (5/Pk). Dispose of it in accordance with the local Hazardous Waste Regulations.

8) Install a new 2-ply disposable paper filter bag. See Filter Installation Pages 2 & 3.

2-Ply Intermediate Filter

1) Remove motor head. Using a damp cloth wipe down all exposed surfaces on underside and carefully set aside. Put the wiping cloth down, **DO NOT** discard.

2) Remove **HEPA** filter cautiously as not to damage or puncture paper media used in the filter. Set aside.

3) Remove 2-ply intermediate filter and dispose of it along with the wiping cloth in a OSHA approved poly bag. Re-order part no 396184 (5/Pk).

4) Install a new 2-ply intermediate filter. See Filter Installation Pages 2 & 3.

HEPA Filter

1) Remove motor head. Using a damp cloth wipe down all exposed surfaces on underside and carefully set aside. Put the wiping cloth down, **DO NOT** discard.

2) Remove the **HEPA** filter cautiously and dispose of it along with the 2-ply intermediate filter, 2-ply disposable filter bag and wiping cloth in a OSHA approved poly bag. Re-order part no 396184 (5/Pk).

3) Install a new HEPA filter. See Filter Installation Pages 2 & 3.



CAUTION:

Hazardous materials must be disposed of properly. NEVER throw contaminated debris in your usual trash receptacle. Place debris in a OSHA approved poly bag or container marked with HAZARDOUS MATERIAL warning and dispose in accordance with your local Hazardous Waste Regulations.