

This Owner's Manual is provided and hosted by [Appliance Factory Parts](#).



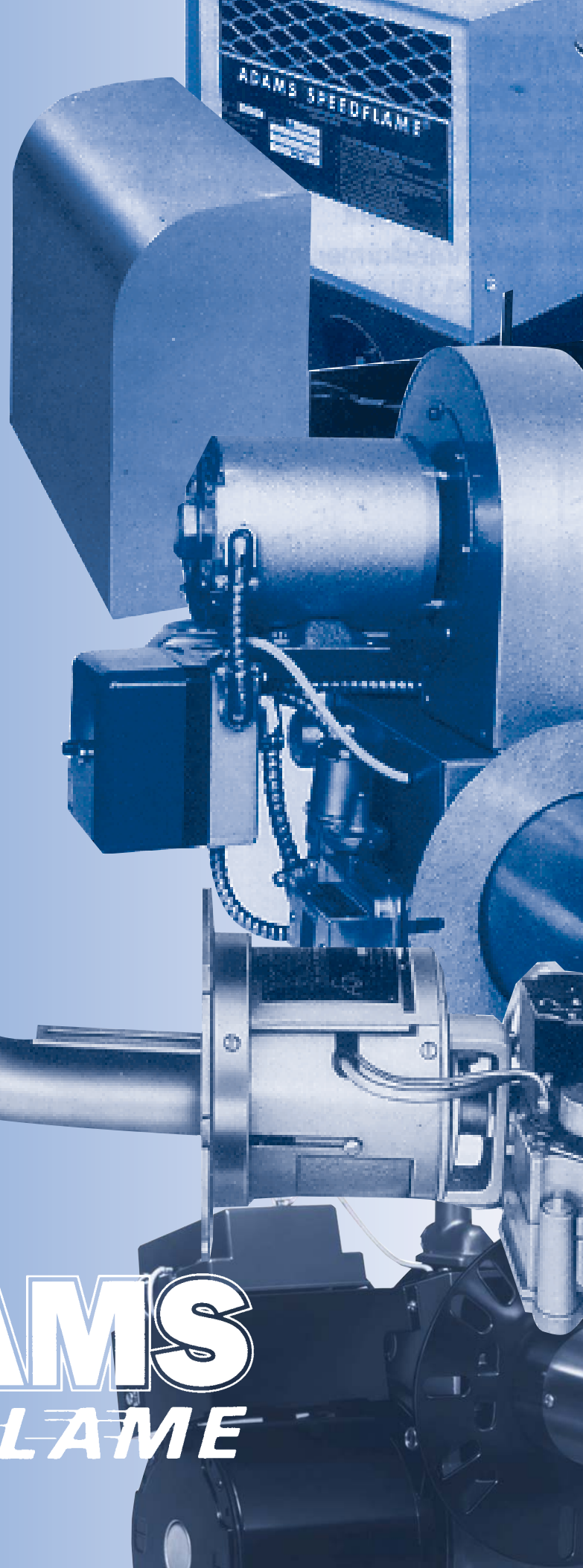
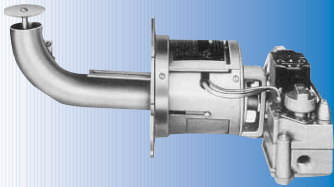
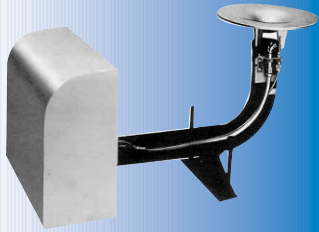
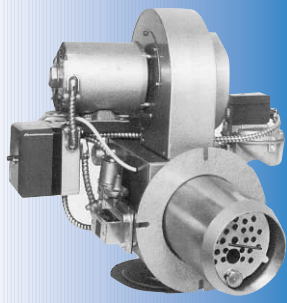
# ADAMS HP-225 Owner's Manual

[Shop genuine replacement parts for ADAMS HP-225](#)



[Find Your ADAMS HVAC Parts - Select From 98 Models](#)

----- Manual continues below -----



**ADAMS**

**SPEEDFLAME**

## HU UPSHOT AND HA INSHOT BURNERS

Rugged cast iron adjustable venturi – places the flame in optimum location for oil furnaces.

Readily removable pilot, flame spreader and pilot lighter.

Durable pre-drilled steel mounting flange – for easy mounting.

Optional adjustable orifice available.

Gas Saver model available – pilot light is on only during heating cycle.

Optional collar flange reduces tube length.

## SPT ECONOMY UPSHOT BURNER

Adjustable venturi length and height – places flame in optimum location for virtually all coal furnaces or boilers. Rugged cast iron flame spreader.

Extremely compact design – fits where other burners will not.

Trim plate mounting for ease of installation.

Optional adjustable orifice, extra length riser available.

Gas Saver model available – pilot light is on only during heating cycle.

## HP-SPACESAVER POWER BURNER

### COMPACT DESIGN – SAVES SPACE – ADJUSTABLE ORIFICE

Fits the smallest enclosures.

Easily accessible air and firing rate adjustment.

Completely factory wired with motor, transformer, and terminal block mounting on slide out chassis.

Slide out gas valve and manifold.

Rugged steel mounting flange, 5" or 8" extension sleeve optional.

Constant or intermittent pilot.

## G-2-POWER GAS BURNER

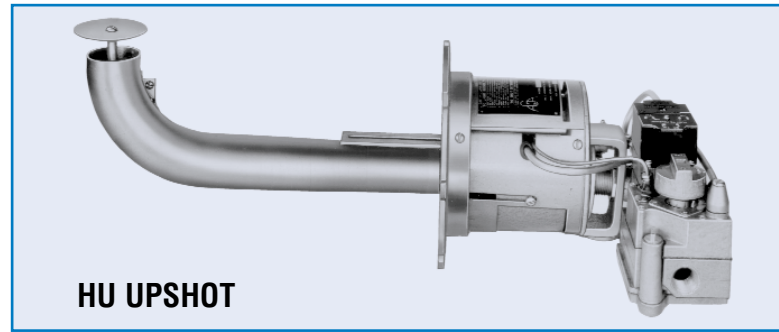
A revolutionary partial pre-mix system uses Adams unique eductor-venturi concept.

High static pressure capabilities assure firing even under adverse conditions.

For dependable direct spark ignition, the burner uses a separate high voltage transformer.

A special designed manifold permits external orifice changes without the need of disassembling the burner.

Six different stainless steel flame retention heads available to cover most input ranges.



HU UPSHOT



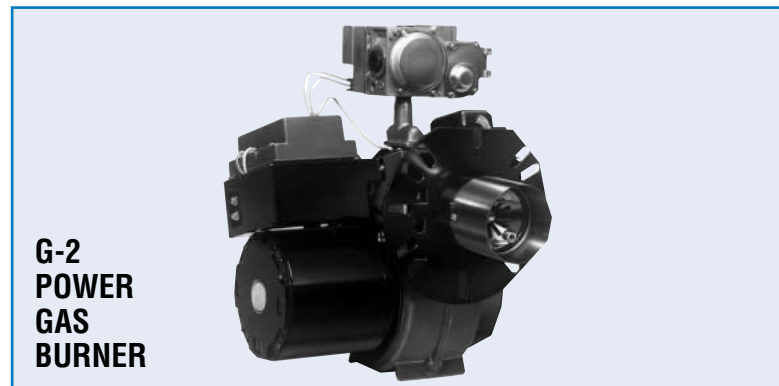
HA INSHOT



SPT ECONOMY

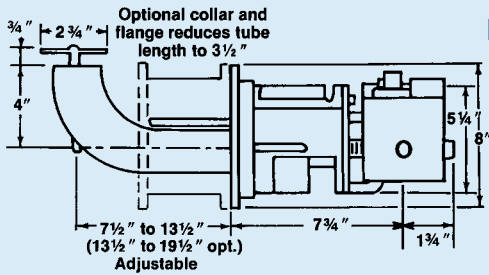


HP-SPACESAVER



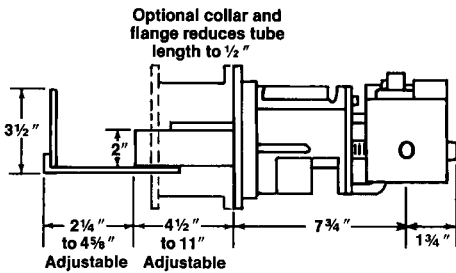
G-2  
POWER  
GAS  
BURNER

# GAS BURNERS



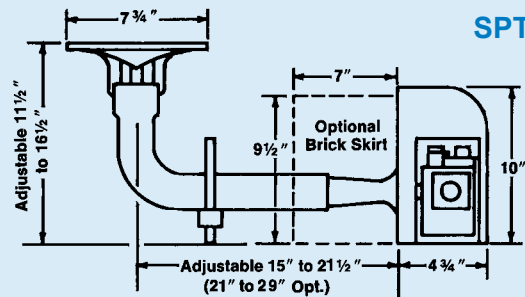
**Dimensions  
HU Left Side**

| Model                          | BTU/Hr. Input |         | Gas Pipe Connection | Approximate Shipping Wt. |
|--------------------------------|---------------|---------|---------------------|--------------------------|
|                                | Maximum       | Minimum |                     |                          |
| <b>NATURAL GAS</b>             |               |         |                     |                          |
| HU-300                         | 290,000       | 50,000  | 3/4"                | 16 lbs.                  |
| <b>PROPANE GAS</b>             |               |         |                     |                          |
| HU-250LP                       | 250,000       | 50,000  | 3/4"                | 16 lbs.                  |
| <b>GAS SAVER – NATURAL GAS</b> |               |         |                     |                          |
| HU-300PS                       | 290,000       | 50,000  | 1/2"                | 18 lbs.                  |



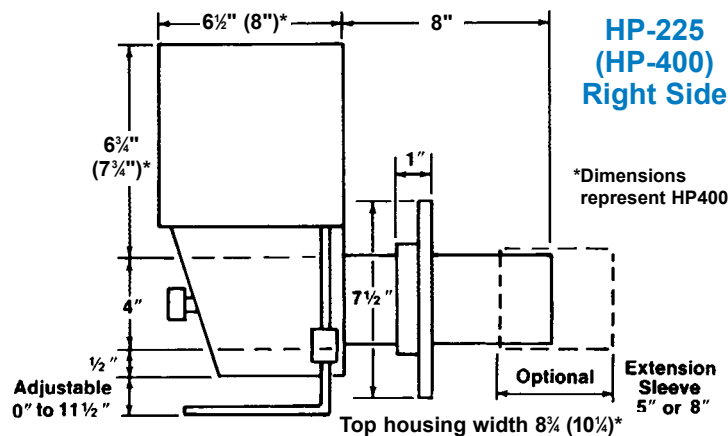
**HA Left Side**

| Model                          | BTU/Hr. Input |         | Gas Pipe Connection | Approximate Shipping Wt. |
|--------------------------------|---------------|---------|---------------------|--------------------------|
|                                | Maximum       | Minimum |                     |                          |
| <b>NATURAL GAS</b>             |               |         |                     |                          |
| HA-300                         | 290,000       | 50,000  | 3/4"                | 16 lbs.                  |
| <b>GAS SAVER – NATURAL GAS</b> |               |         |                     |                          |
| HA-300PS                       | 290,000       | 50,000  | 1/2"                | 18 lbs.                  |



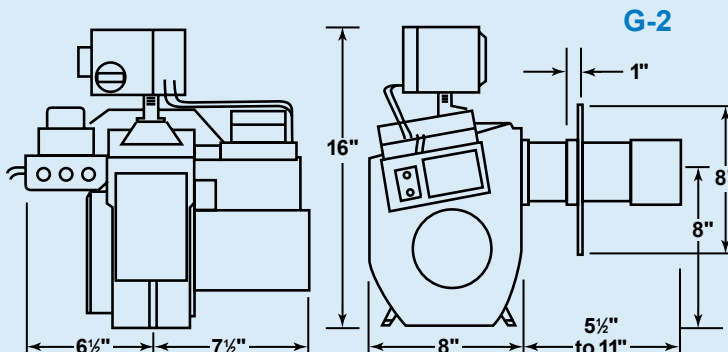
**SPT Left Side**

| Model                          | BTU/Hr. Input |         | Gas Pipe Connection | Approximate Shipping Wt. |
|--------------------------------|---------------|---------|---------------------|--------------------------|
|                                | Maximum       | Minimum |                     |                          |
| <b>NATURAL GAS</b>             |               |         |                     |                          |
| SPT-300                        | 290,000       | 50,000  | 3/4"                | 18 lbs.                  |
| SPT-350                        | 350,000       | 50,000  | 3/4"                | 19 lbs.                  |
| <b>PROPANE GAS</b>             |               |         |                     |                          |
| SPT-400LP                      | 400,000       | 50,000  | 3/4"                | 18 lbs.                  |
| <b>GAS SAVER – NATURAL GAS</b> |               |         |                     |                          |
| SPT-300PS                      | 290,000       | 50,000  | 1/2"                | 20 lbs.                  |



**HP-225  
(HP-400)  
Right Side**

| Model                          | BTU/Hr. Input |         | Gas Pipe Connection | Approximate Shipping Wt. |
|--------------------------------|---------------|---------|---------------------|--------------------------|
|                                | Maximum       | Minimum |                     |                          |
| <b>NATURAL GAS</b>             |               |         |                     |                          |
| HP-225                         | 225,000       | 50,000  | 3/4"                | 26 lbs.                  |
| HP-225BPS                      | 225,000       | 50,000  | 1/2"                | 26 lbs.                  |
| HP-400                         | 400,000       | 100,000 | 3/4"                | 31 lbs.                  |
| HP-400BPS                      | 400,000       | 100,000 | 3/4"                | 31 lbs.                  |
| <b>LIQUEFIED PETROLEUM GAS</b> |               |         |                     |                          |
| HP-225LP                       | 225,000       | 50,000  | 3/4"                | 26 lbs.                  |
| HP-225LPPS                     | 225,000       | 50,000  | 1/2"                | 26 lbs.                  |
| HP-400LP                       | 400,000       | 100,000 | 3/4"                | 30 lbs.                  |
| HP-400LPPS                     | 400,000       | 100,000 | 1/2"                | 31 lbs.                  |



**G-2**

| Model                         | BTU/Hr. Input |         | Gas Pipe Connection | Approximate Shipping Wt. |
|-------------------------------|---------------|---------|---------------------|--------------------------|
|                               | Maximum       | Minimum |                     |                          |
| <b>NATURAL OR PROPANE GAS</b> |               |         |                     |                          |
| G-2T                          | 240,000       | 50,000  | 1/2"                | 35 lbs.                  |
| G-2SD                         | 255,000       | 70,000  | 1/2"                | 34 lbs.                  |

# FORCED DRAFT GAS BURNERS

## HP SERIES FORCED DRAFT CAPACITIES THRU 3,000,000 B.T.U.

Short flame for best performance in all applications. Fires into long combustion chambers but also into shortest chambers. Increases efficiency.

Vacuum mixing method (Patent No. 3589845). Eliminates pulsation or "lifting"

Quieter operation. Smoother lightoff.

Adjustable input with regulator located in the gas valve.

Flange or pedestal mounting.

U.L. listed with Honeywell or Fireye controls. Controls to meet F.M., I.R.I. (F.I.A.) or special local codes also available.

1/3 H.P. 3450 R.P.M. Motor to HP-1000

1/2 H.P. 3450 R.P.M. Motor on HP-1500

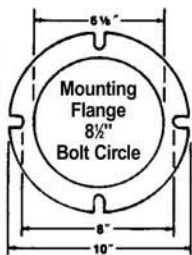
3/4 H.P. 3450 R.P.M. Motor on HP-2500 and HP-3500

Low gas pressure design. Requires only 2.0"- 5.0" W.C. pressure. Eliminates need for elevated pressure.

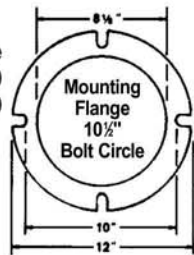


Bottom mounted blower HP-2500 and HP-3500 (optional).

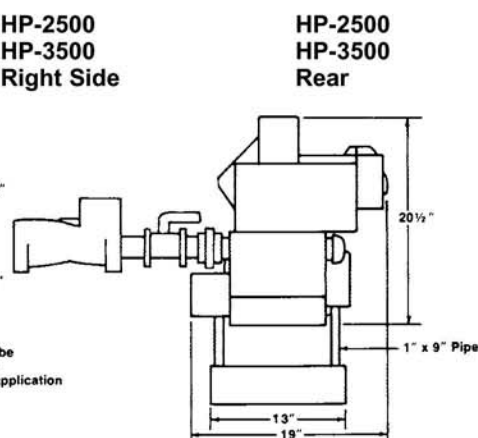
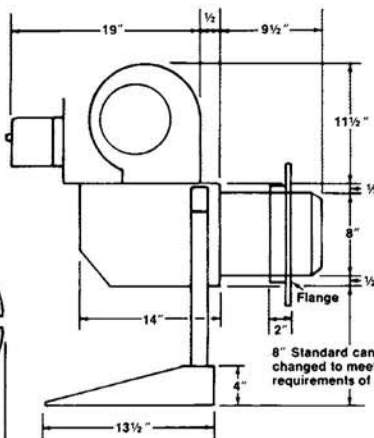
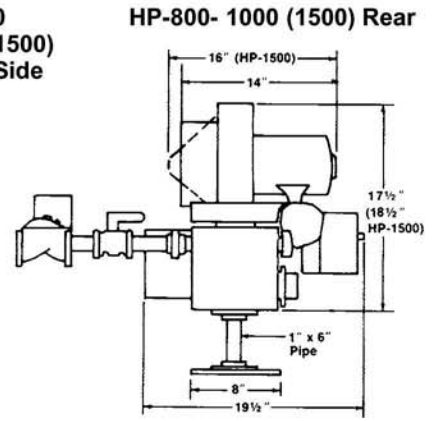
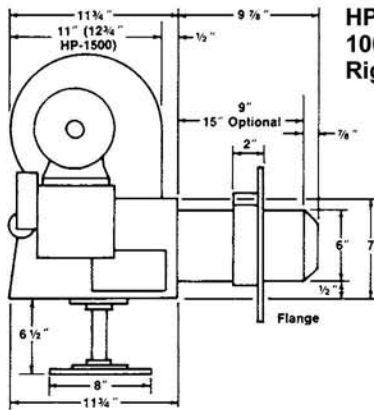
Flange HP-800, 1000 (1500)



Flange HP-2500 HP-3500



| Model                          | BTU/Hr. Input |           | Gas Pipe Connection | Approximate Shipping Wt. |
|--------------------------------|---------------|-----------|---------------------|--------------------------|
|                                | Maximum       | Minimum   |                     |                          |
| <b>NATURAL GAS</b>             |               |           |                     |                          |
| HP-800                         | 800,000       | 300,000   | 1"                  | 80 lbs.                  |
| HP-1000                        | 1,000,000     | 300,000   | 1 1/4"              | 95 lbs.                  |
| HP-1500                        | 1,700,000     | 500,000   | 1 1/4"              | 98 lbs.                  |
| <b>LIQUEFIED PETROLEUM GAS</b> |               |           |                     |                          |
| HP-1000LP                      | 1,000,000     | 300,000   | 1"                  | 82 lbs.                  |
| HP-1500LP                      | 1,700,000     | 500,000   | 1"                  | 95 lbs.                  |
| <b>NATURAL GAS</b>             |               |           |                     |                          |
| HP-2500                        | 2,500,000     | 1,000,000 | 2"                  | 155 lbs.                 |
| HP-3500                        | 3,500,000     | 1,000,000 | 2"                  | 181 lbs.                 |
| <b>LIQUEFIED PETROLEUM GAS</b> |               |           |                     |                          |
| HP-2500LP                      | 2,500,000     | 1,000,000 | 1 1/4"              | 120 lbs.                 |



# ADAMS

**Manufacturing Company**  
9790 Midwest Ave. • Cleveland, Ohio 44125  
Telephone (216) 587-6801  
FAX (216) 587-6807



Distributed by