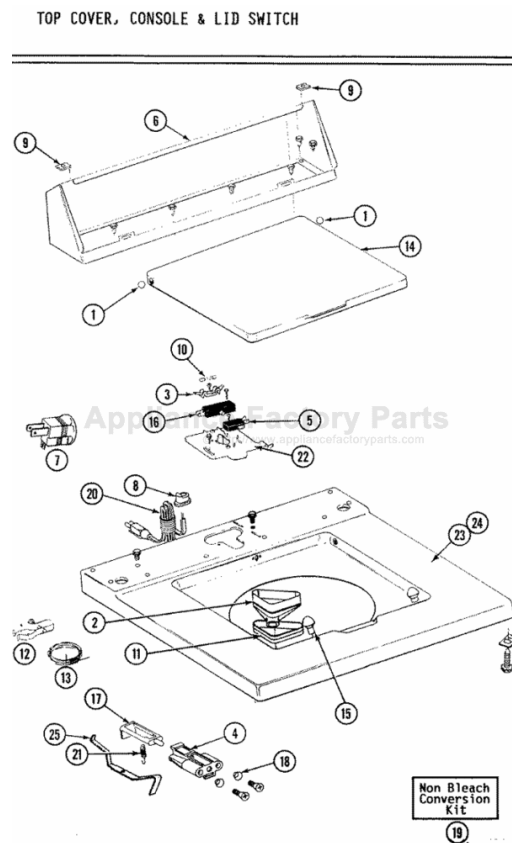


This Owner's Manual is provided and hosted by [Appliance Factory Parts](http://ApplianceFactoryParts.com).



MAYTAG A8200 Owner's Manual

[Shop genuine replacement parts for MAYTAG A8200](#)



[Find Your MAYTAG Washer Parts - Select From 1759 Models](#)

----- Manual continues below part list -----

Available Replacement Parts for MAYTAG A8200

WP207166	SWITCH CHECK AFTERMARKET
214765	GASKET AFTERMARKET
211100	NLA 08/18 AUTO FIBERWASHR
211047	USE WP6-2110472 NUT- CLAMP AW
210684	USE WP210684 PAD DR
203956	KIT-DAMPER DR
WP211232	SEAL DR
6-2095720	MOUNTING S AW AFTERMARKET
WP211726	BALL DR
WP6-2008160	PULLEY-MOTOR **new**
525	FILL VALVE CW151

WASHER

Repair Parts List

MODEL NUMBER

A8200

When requesting service or ordering parts, always provide the following information:

- Product Type
- Part Number
- Model Number
- Part Description

MAYTAG®

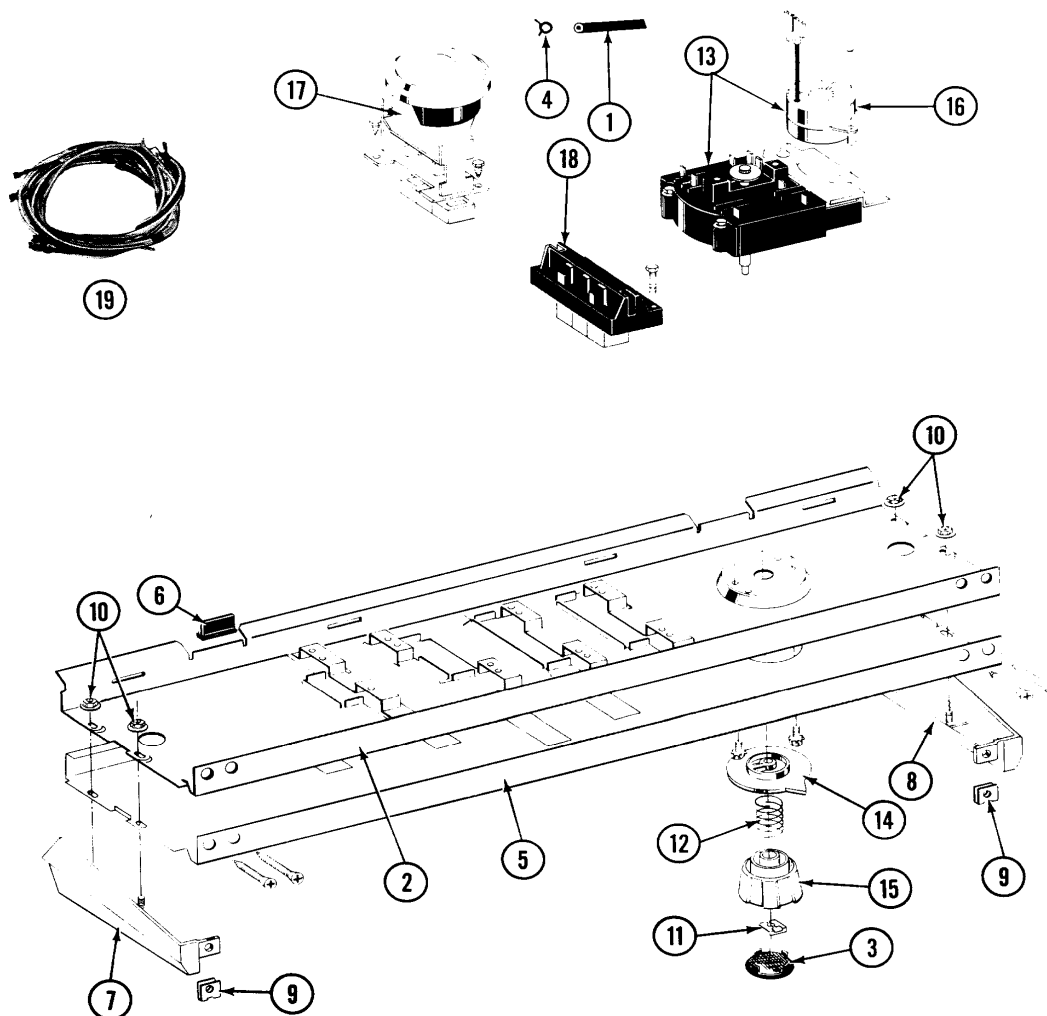
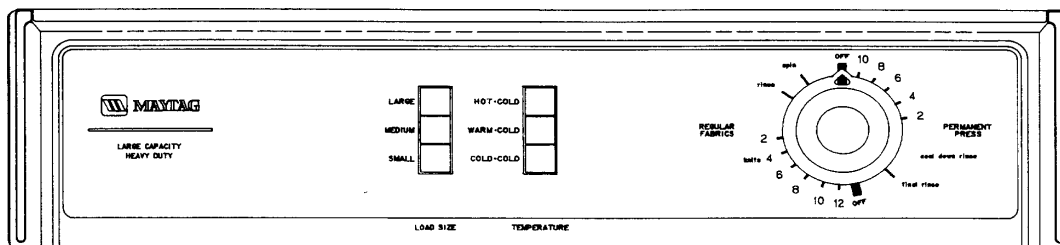
©2005 Maytag Services

Section: CONTROL PANEL

Model: A8200

SECTION: CONTROL PANEL

MODEL: A8200



Issue Date: 6/90

20

MA80B7

Section: CONTROL PANEL

No.	Part No.	Description	Series	Qty
1	212942	AIR DOME AND TUBE Note: AIR DOME & TUBE	00	1
-	210932	SCREW, #8 X 9/16 CTSK Note: SCREW, CONTROL PANEL & END CAP	00	2
2	214818	BACK UP PLATE Note: PLATE, BACK UP	00	1
3	215821	CAP, KNOB	00	1
4	410296	CLAMP,WATER LEVEL SWTCH TUBE Note: CLAMP, WATER LEVEL SWITCH TUBE	00	1
5 N	207406	CONTROL PANEL Note: PANEL, CONTROL	00	1
-	210932	SCREW, #8 X 9/16 CTSK Note: SCREW, CONTROL PANEL & END CAP	00	2
6 N	214897	PAD, CONTROL PANEL	00	2
7	207215	END CAP LH Note: END CAP (LH)	00	1
8	207216	END CAP RH Note: END CAP (RH)	00	1
9	214894	FASTENER, END CAP	00	2
10	214872	PALNUT, END CAP	00	4
11	211605	RETAINER, TIMER KNOB	00	1
12	211065	SPRING, TIMER KNOB	00	1
-	213966	SCREW-TIMER TO CONTROL PANE Note: SCREW, TIMER	00	2
13	207379	TIMER	00	1
14	215827	TIMER DIAL SKIRT Note: SKIRT, TIMER DIAL	00	1
15	215828	KNOB, TIMER (BLK)	00	1
16	205033	TIMER MOTOR 120-60 Note: MOTOR, TIMER (120-60)	00	1
-	211168	SCREW, #8 X 5/16 INCH Note: SCREW (#8 X 5/16 INCH)	00	2
17	207363	3 LEVEL PRESSURE SWITCH Note: SWITCH, 3 LEVEL PRESSURE	00	1
18	207368	TEMP CONTROL SWITCH - 3 BUTTON Note: SWITCH, TEMP. CONTROL	00	1
-	213117	SCREW-TEMP. SWITCH TO PANEL Note: SCREW, TEMP. SWITCH	00	2
19	207383	WIRE HARNESS Note: WIRE HARNESS, MAIN	00	1

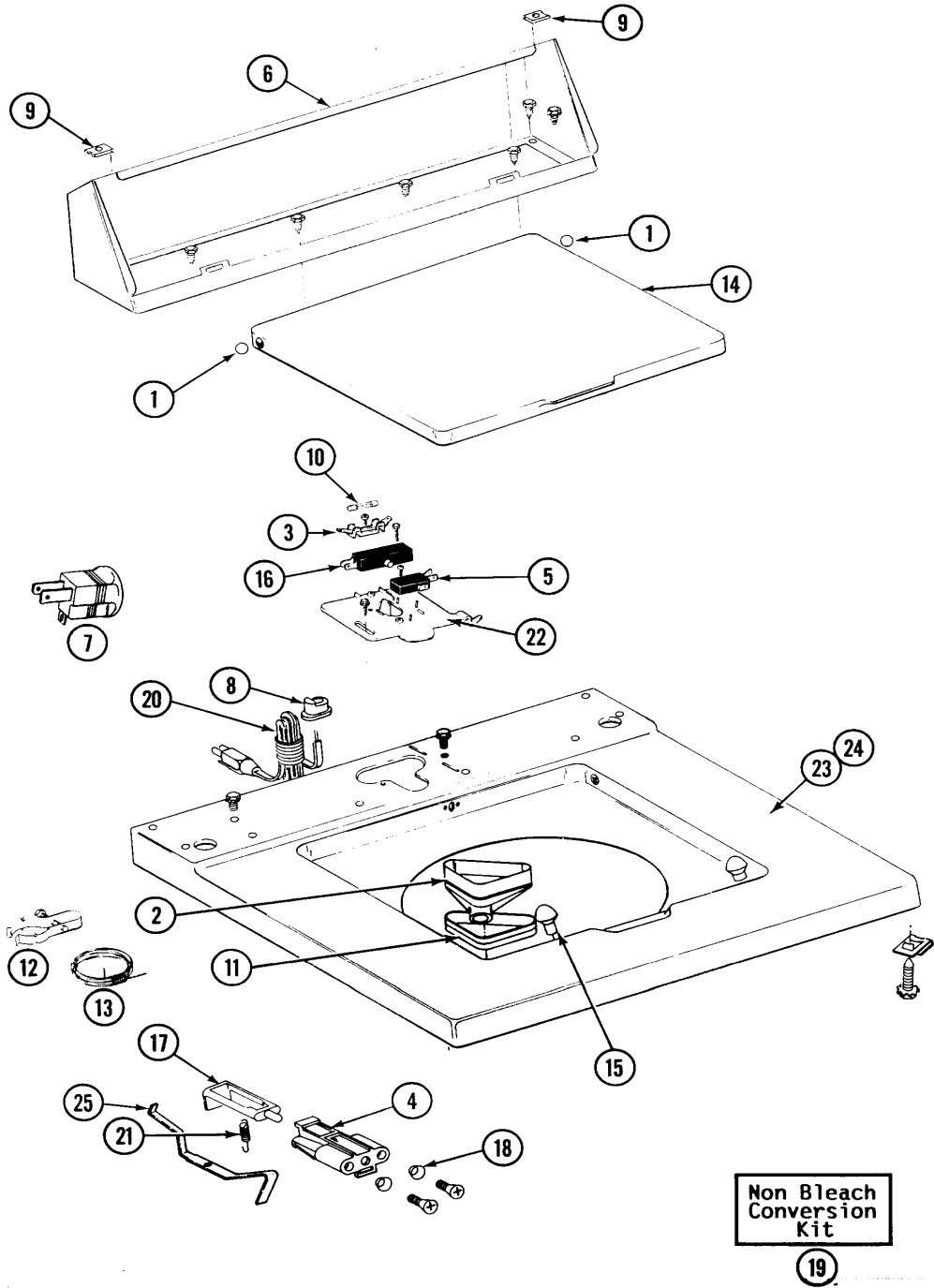
*Color Code (-)=Not Shown #=Series, Serial Prefix or Run No., N=Not Available

Section: TOP COVER, CONSOLE & LID SWITCH

Model: A8200

SECTION: TOP COVER, CONSOLE & LID SWITCH

MODEL: ALL MODELS



Issue Date: 6/90

28

MA80C1

Section: TOP COVER, CONSOLE & LID SWITCH

No.	Part No.	Description	Series	Qty
1	211726	HINGE, BALL	00	2
2	215577	BLEACH INLET WHITE Note: BLEACH INLET (WHT)	00	1
3	207167	BLOCK, FUSE	00	1
-	215705	SCREW	00	1
- N	216256	BRACKET, UNBALANCE	B8	1
4	214279	BRACKET F/LID SWITCH PLUNGE Note: BRACKET, LID SWITCH PLUNGER	00	1
-	910182	SCREW	00	2
-	912012	SCREW	00	1
5	207166	SWITCH, CHECK	00	1
-	313559	SCREW	00	1
6 N	205635	CONSOLE (WHT)	00	1
-	211294	SCREW	00	5
7 N	201808	CONVERTER	00	1
8	211881	GROMMET, CORD	00	1
9	215075	FASTENER,CNTRL PNL TO CONSOLE Note: FASTENER, CONTROL PANEL	00	2
10	207168	FUSE	00	1
11	214436	GASKET	00	1
12	301548	CLAMP, GROUND (W/SCREW)	00	1
13	311155	GROUND WIRE	00	1
14	212073	LID-WHITE Note: LID (WHT)	00	1
15	212716	BUMPER, LID	00	2
16	205415	SWITCH, LID (W/O TUB LIGHT)	00	1
-	213501	SCREW, #6-20 X 1-1/8 INCH Note: SCREW (#6-20 X 1-1/8 INCH)	00	1
- N	208591	KIT, PLUNGER & BRACKET	B8	1
17 N	215700	LID SWITCH PLUNGER Note: PLUNGER, LID SWITCH	00	1
18	211500	WASHER,BRACKE TO TOP COVER Note: WASHER, BRACKET	00	2
19	205997	NON-BLEACH CONVERSION KIT Note: KIT, NON-BLEACH CONVERSION	00	1
-	210186	SCREW, GROUND WIRE TO BASE--NA Note: SCREW, GROUND WIRE	00	1
20	204590	POWER CORD Note: CORD, POWER	00	1
21	213720	SPRING	00	1
-	207159	SCREW	00	1
22	215699	BRACKET,SWITCH & FUSE Note: BRACKET, SWITCH & FUSE	00	1
23 N	207170	TOP COVER Note: PART NOT USED	00	1
-	210186	SCREW, GROUND WIRE TO BASE--NA Note: SCREW, GROUND WIRE	00	1
-	204445	SCREW & FASTENER ASY. Note: ASSY., SCREW & FASTENER	00	2
24 N	207172	TOP COVER Note: ASSY., TOP COVER (WHT-NONBCH)	00	1
25	215704	UNBALANCE LEVER Note: LEVER, UNBALANCE	00	1

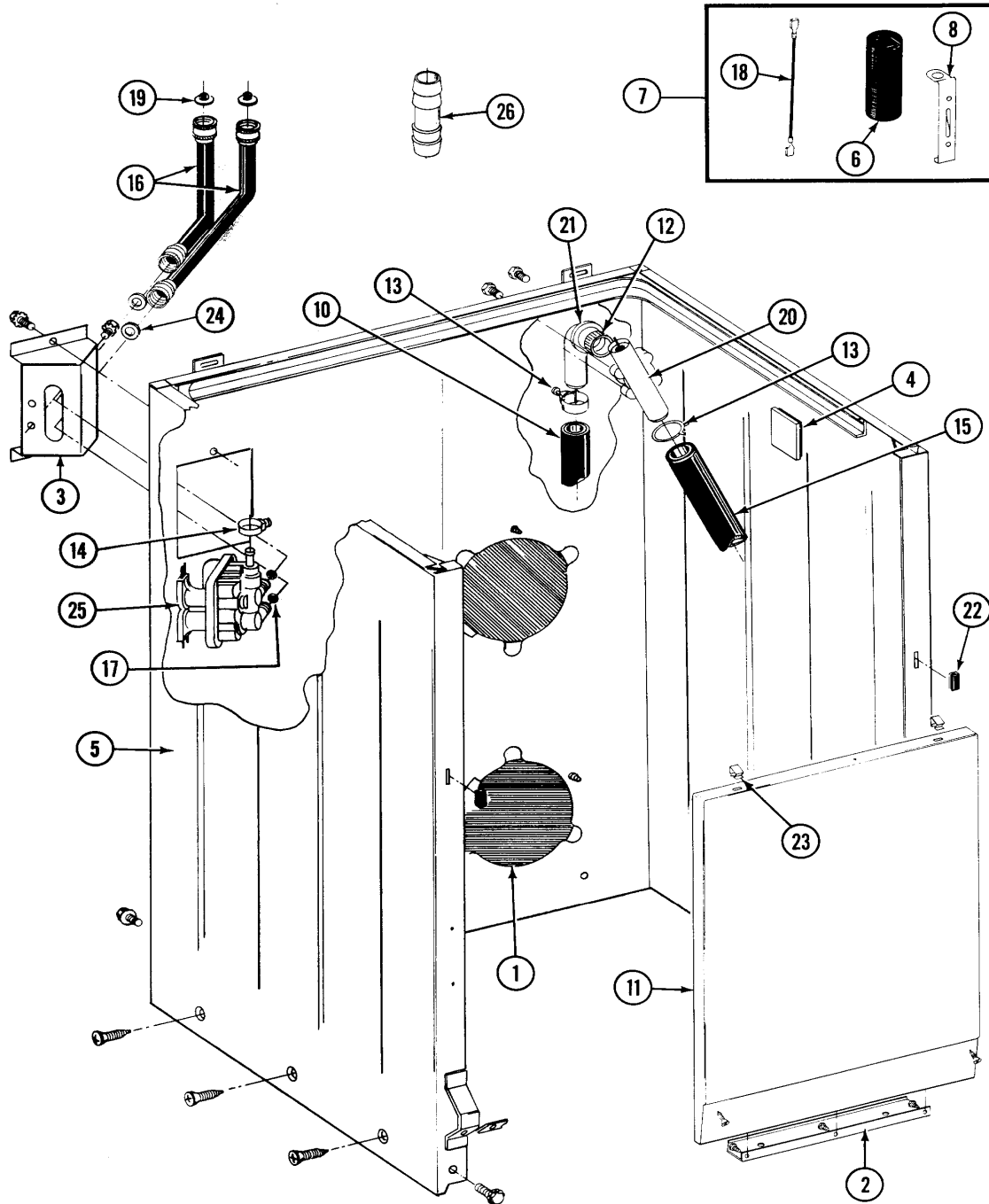
*Color Code (-)=Not Shown #=Series, Serial Prefix or Run No., N=Not Available

Section: CABINET, WATER VALVE, HOSES & FRNT PANEL

Model: A8200

SECTION: CABINET, WATER VALVE, HOSES & FRONT PANEL

MODEL: ALL MODELS



Issue Date: 6/90

Section: CABINET, WATER VALVE, HOSES & FRNT P

No.	Part No.	Description	Series	Qty
1	N 211878	PLATE, ACCESS	00	2
-	211294	SCREW	00	2
-	211294	SCREW	00	3
2	213846	GUARD, BELT	00	1
-	212276	SCREW	00	1
3	214812	BRACKET,WATER VALVE Note: BRACKET, WATER VALVE	00	1
4	215058	PAD, CABINET BUMPER	00	2
-	204439	SCREW & FSTNER ASSY(FRT.PANEL) Note: ASSY., SCREW & FASTNER	00	2
-	213122	SCREW,CBNT.TO FRNT OF BASE--NA Note: SCREW, CABINET	00	2
-	213121	SCREW	00	3
5	N 203319	CABINET-WHITE Note: CABINET (WHT)	00	1
-	213007	SCREW, CABINET	00	6
6	200832	CAPACITOR	00	1
7	206103	CAPACITOR KIT Note: KIT, CAPACITOR	00	1
8	211149	CLIP, CAPACITOR	00	1
9	202861	CARTON OF 25 HOSE, 5' Note: CARTON OF 25 HOSES (5'FT)	00	1
10	216017	HOSE, DRAIN (7/8" I.D.)	02	1
10	N 059149	(7/8" I.D. CARTON OF 50 FT.)	02	1
10	215279	HOSE, DRAIN	00	1
11	212998	FRONT PANEL-WHITE Note: FRONT PANEL (WHT)	00	1
12	214765	GASKET, SIPHON BREAK	00	1
13	200908	HOSE CLAMP - 1-1/2 INCH Note: CLAMP, HOSE (1-1/2 INCH)	02	1
13	200461	HOSE CLAMP - 1-5/8 INCH Note: CLAMP, HOSE (1-5/8 INCH)	00	1
14	201575	HOSE CLAMP Note: CLAMP, HOSE	00	1
15	214767	HOSE,PUMP TO SIPHON BREAK Note: HOSE, PUMP	00	1
16	200672	INLET HOSE ASSY. Note: ASSY., INLET HOSE	00	1
16	200688	INLET HOSE, HOT 6 FT. Note: HOSE, INLET (HOT 6 FT.)	00	1
16	202860	INLET HOSE ASSY. Note: ASSY., INLET HOSE	00	2
16	205828	HOSE, INLET ASSY. Note: ASSY., INLET HOSE	00	1
16	200681	INLET HOSE, HOT 10 FT. Note: HOSE, INLET (HOT 10 FT.)	00	1
17	214337	SCREEN, VALVE	00	1
18	203237	#17 WIRE WITH TERMINAL Note: #17 WIRE W/TERMINAL	00	1
19	200961	SCREEN WASHER, INLET HOSE	00	1
20	206638	SIPHON BREAK(W/CLAMP) Note: BREAK, SIPHON (W/CLAMP)	00	1
-	014874	SCREW	00	4
21	216016	ELBOW, SIPHON BREAK	02	1
21	214764	SIPHON BREAK ELBOW Note: ELBOW, SIPHON BREAK	00	1
22	214376	SPACER, FRONT PANEL	00	2
23	212982	FASTENER, PANEL	00	2
24	013783	GASKET, INLET HOSE Note: WASHER, INLET HOSE	00	2
25	205613	WATER VALVE Note: VALVE, WATER	00	1
-	212276	SCREW	00	1
26	216015	HOSE COUPLING Note: COUPLING, HOSE	00	1

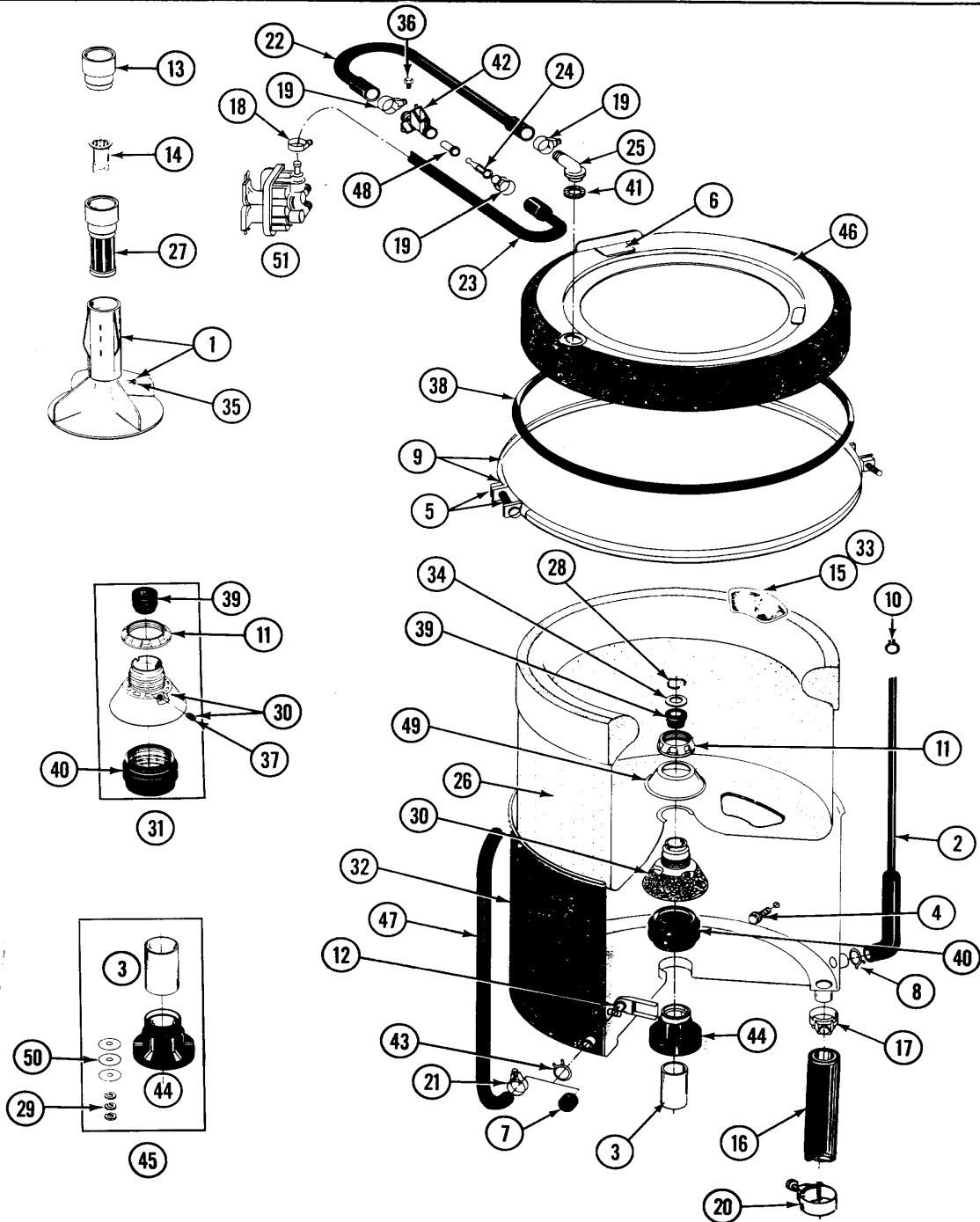
*Color Code (-)=Not Shown #=Series, Serial Prefix or Run No., N=Not Available

Section: TUB, AGITATOR, MOUNTING STEM & SEAL

Model: A8200

SECTION: TUB, AGITATOR, MOUNTING STEM & SEAL

MODEL: ALL MODELS



Issue Date: 6/90

Section: TUB, AGITATOR, MOUNTING STEM & SEAL

No.	Part No.	Description	Series	Qty
1	207538	AGITATOR W/LOCK SCREW	00	1
2	212942	AIR DOME AND TUBE	00	1
3	211130	LINER, TUB BEARING	00	1
4	200744	BOLT & GASKET ASSY.(SHORT) Note: BOLT & GASKET ASSY. (SHORT)	00	1
4	205254	BOLT & GASKET ASSEMBLY (LONG)	00	2
5	205529	NUT & BOLT KIT FOR TUB CLAM Note: NUT & BOLT KIT, TUB CLAMP	00	2
6	215232	UNBALANCE BUMPER Note: BUMPER, UNBALANCE	00	1
8	211641	CLAMP, 1-1/16" Note: CLAMP (1-1/16")	00	1
9	200846	CLAMP - TUB COVER Note: CLAMP, TUB COVER	00	1
10	410296	CLAMP,WATER LEVEL SWTCH TUBE Note: CLAMP, WATER LEVEL SWITCH TUBE	00	1
11	211047	NUT, CLAMPING (INNER TUB) Note: NUT, CLAMPING (INNER TUB)	00	1
12	214434	SPOUT, DEFLECTOR Note: PART NOT USED	00	1
14	215733	DISPENSING CUP Note: CUP, DISPENSING	01	1
16	212989	HOSE, OUTER TUB TO PUMP Note: HOSE, OUTER TUB	00	1
17	200900	CLAMP, SPRAY ARM HOSE	00	1
18	201575	HOSE CLAMP Note: CLAMP, HOSE	00	1
19	202515	HOSE CLAMP - 1-1/16 INCH Note: CLAMP, HOSE (1-1/16 INCH)	00	3
20	202574	CLAMP, HOSE Note: CLAMP, HOSE	00	1
21	205161	CLAMP - 15/16" Note: CLAMP, BLEACH HOSE	00	1
22	215234	INJECTOR FILL HOSE Note: FILL HOSE, INJECTOR	00	1
23	213013	HOSE, INJECTOR Note: HOSE, INJECTOR	00	1
24	213015	INJECTOR NOZZLE Note: NOZZLE, INJECTOR	00	1
25	215235	INJECTOR TUBE Note: TUBE, INJECTOR	00	1
26 N	207830	INNER TUB W/PLUG Note: TUB, INNER (W/PLUG)	01	1
26 N	201523	INNER TUB Note: TUB, INNER	00	1
27	207427	LINT FILTER SHALLOW Note: FILTER, LINT (SHALLOW)	01	1
28	015667	RETAINING RING	00	1
29	054867	WASHER, LOCK	00	3
30	202521	MOUNTING STEM Note: STEM, MOUNTING	00	1
31	204012	MOUNTING STEM REPAIR KIT Note: KIT, MOUNTING STEM REPAIR	00	1
32	205486	TUB, OUTER Note: PART NOT USED	00	1
34	015666	WASHER,RETAINING(CENTER SEAL)- Note: WASHER, RETAINING	00	1
35	206478	SCREW & WASHER FOR AGITATOR Note: SCREW & WASHER, AGITATOR	00	1
36	312620	SEMS SCREW, #10-16 X 1/2" Note: SCREW, SEMS (#10-16 X 1/2")	00	1
37	211618	SET SCREW, MTG. STEM Note: SET SCREW, MOUNTING STEM	00	1
38	211232	SEAL	00	1
39	0A4298	SEAL, AGITATOR DRIVE SHAFT	00	1
40	201537	SEAL AND SPRING Note: SEAL & SPRING	00	1
41	215233	SEAL FOR INJECTOR TUBE Note: SEAL, INJECTOR TUBE	00	1
42	215447	SLEEVE FOR INJECTOR Note: SLEEVE, INJECTOR	00	1
43	214739	SPRING HOSE CLAMP Note: CLAMP, SPRING HOSE	00	1
44	200824	BEARING, TUB	00	1
45	204013	TUB BEARING REPAIR KIT Note: KIT, TUB BEARING REPAIR	00	1
46	206380	TUB COVER Note: COVER, TUB	00	1
47	214495	TUBE, INLET TO TUB Note: PART NOT USED	00	1
48	213016	VALVE FOR INJECTOR SUB Note: VALVE, INJECTOR	00	1
49	211210	WASHER,CLAMPING NUT(STAINLESS) Note: WASHER, CLAMPING NUT	00	1
50	211100	WASHER, CUSHION Note: WASHER, CUSHION	00	3
51	205613	WATER VALVE Note: VALVE, WATER	00	1

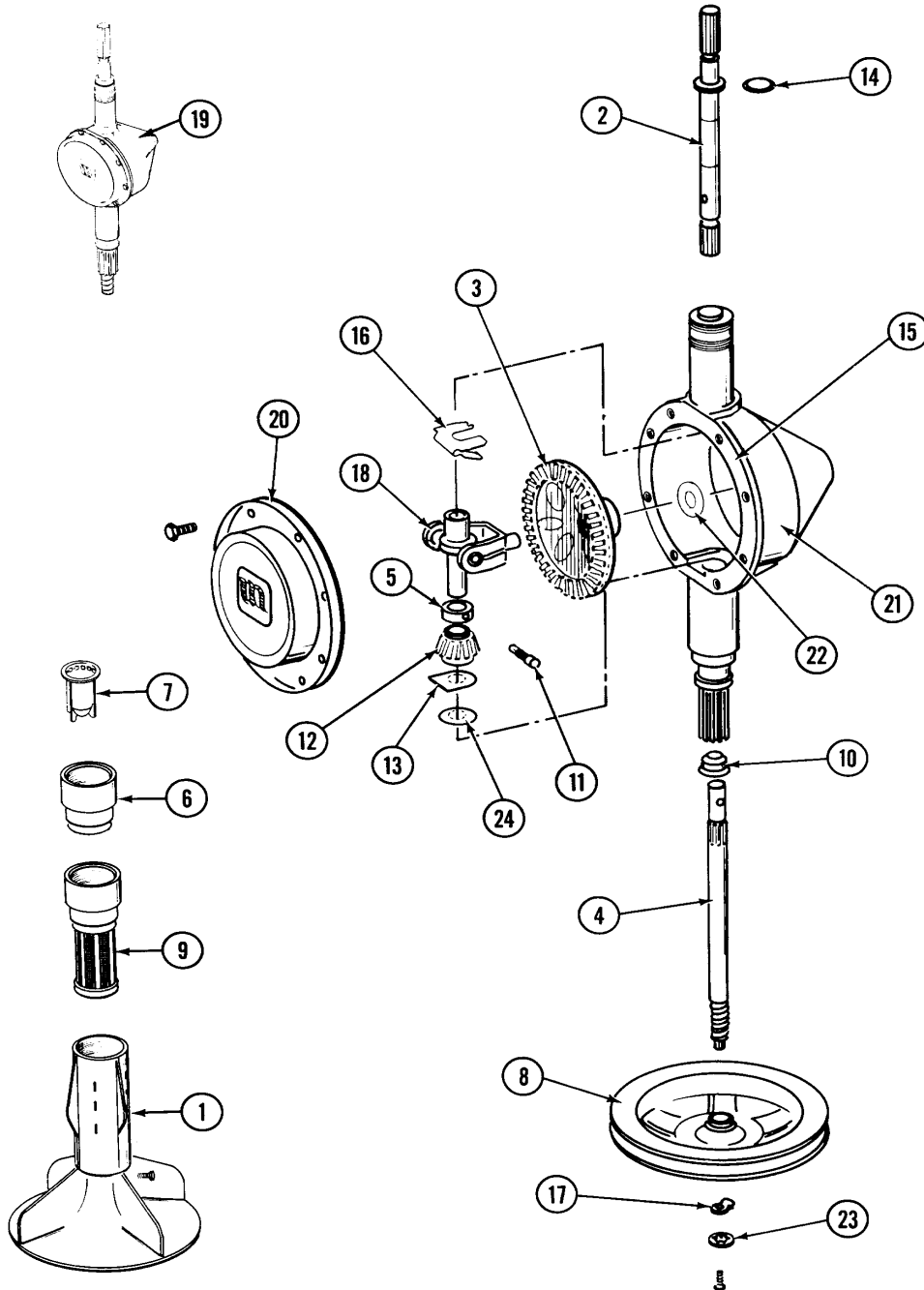
*Color Code (-)=Not Shown #=Series, Serial Prefix or Run No., N=Not Available

Section: ORBITAL TRANSMISSION

Model: A8200

SECTION: ORBITAL TRANSMISSION

MODEL: ALL MODELS



Issue Date: 6/90

Section: ORBITAL TRANSMISSION

No.	Part No.	Description	Series	Qty
1	207538	AGITATOR W/LOCK SCREW	00	1
-	206478	SCREW & WASHER FOR AGITATOR Note: SCREW & WASHER, AGITATOR	00	1
2	207153	SHAFT, AGITATOR (W/SPRING)	00	1
3	206713	GEAR, BEVEL	00	1
4 N	215411	SHAFT, CENTER	00	1
5	215415	COLLAR, LOWER	00	1
6	215721	DISPENSING CAP Note: PART NOT USED	00	1
7	215733	DISPENSING CUP Note: CUP, DISPENSING	00	1
8	211059	PULLEY, DRIVE	00	1
9	207427	LINT FILTER SHALLOW Note: FILTER, LINT (SHALLOW)	00	1
10	206602	SEAL, LIP (CENTER SHAFT)	00	1
11	206629	PIN, COLLAR	00	1
12	215401	PINION	00	1
13	215395	PLATE, CLUTCH	00	1
14	210690	SEAL, RUBBER	00	1
15	058700	SILASTIC,ADH.SEALANT Note: SILASTIC, ADH. SEALANT	00	1
16	215581	SPRING, AGITATOR SHAFT	00	1
-	211375	SCREW,STOP LUG(CENTER SHAFT) Note: SCREW, STOP LUG	00	1
17	211089	LUG, STOP	00	1
18	206685	BLOCK, TORQUE AND YOKE ASSEMBL	00	1
19	206708	TRANSMISSION	00	1
-	215417	SCREW, TRANSMISSION COVER	00	8
20	206628	COVER, TRANSMISSION	00	1
21	206625	HOUSING, TRANSMISSION	00	1
22	215394	WASHER, BEVEL GEAR	00	1
23	211090	WASHER, LOCK	00	1
24	211483	WASHER, SPLINED	00	1

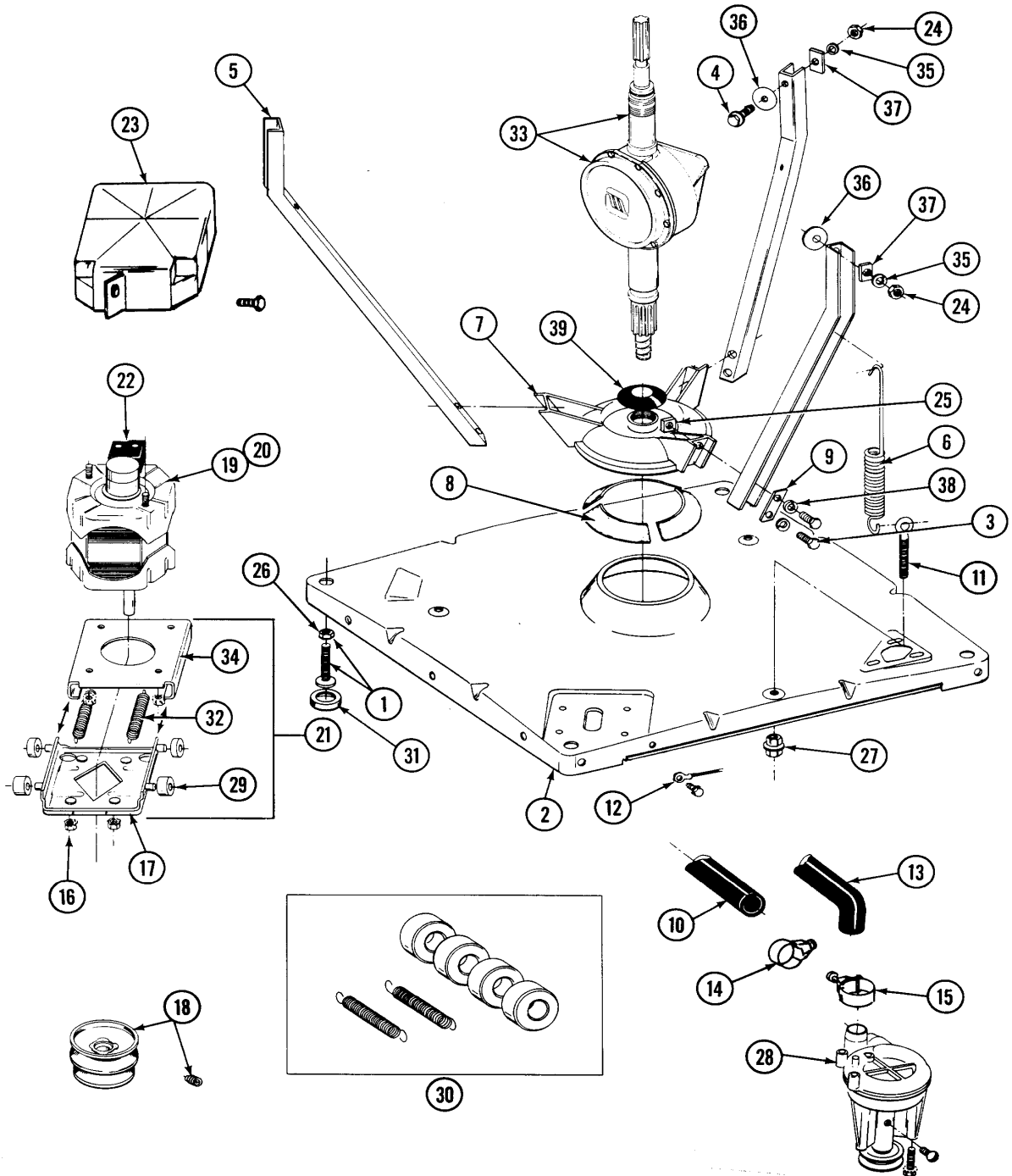
*Color Code (-)=Not Shown #=Series, Serial Prefix or Run No., N=Not Available

Section: BASE, PUMP, MOTOR & COMPONENTS

Model: A8200

SECTION: BASE, PUMP, MOTOR & COMPONENTS

MODEL: ALL MODELS



Issue Date: 6/90

40

MA80C13

Section: BASE, PUMP, MOTOR & COMPONENTS

No.	Part No.	Description	Series	Qty
1	302699	LEG, ADJUSTABLE (W/NUT)	00	4
2	203274	BASE WITH DAMPER PADS Note: BASE W/DAMPER PADS	00	1
3	015627	SCREW, HEX HD CAP 5/16 X 5/8	00	6
4	205254	BOLT & GASKET ASSEMBLY (LONG)	00	2
4	200744	BOLT & GASKET ASSY.(SHORT) Note: BOLT & GASKET ASSY. (SHORT)	00	1
5	213100	BRACE, TUB	00	3
6	213054	CENTERING SPRING - 3 USED Note: SPRING, CENTERING (3 USED)	00	3
7	203725	DAMPER W/BOLT & CLIP	00	1
8	203956	DAMPER PAD KIT (W/POLY LUBE)	00	1
9	213073	WASHER, DOUBLE Note: WASHER, DOUBLE	00	3
10	214767	HOSE,PUMP TO SIPHON BREAK Note: HOSE, PUMP	00	1
11	213120	EYE BOLT FOR CENTER SPRING Note: EYE BOLT, CENTER SPRING	00	3
12	204807	GRND.WIRE,SUPP.PLTE TO TOP CVR Note: GROUND WIRE, SUPPORT PLATE	00	1
-	210186	SCREW, GROUND WIRE TO BASE--NA Note: SCREW, GROUND WIRE	00	1
13	212989	HOSE, OUTER TUB TO PUMP Note: HOSE, OUTER TUB	00	1
14	200461	HOSE CLAMP - 1-5/8 INCH Note: CLAMP, HOSE (1-5/8 INCH)	00	1
15	202574	CLAMP, HOSE Note: CLAMP, HOSE	00	1
16	311426	NUT, WASHERED LOCK Note: KEPS NUT, MOTOR BASE	00	3
17	205908	LOWER MOTOR MOUNT Note: MOUNT, MOTOR (LOWER)	00	1
-	053241	SET SCREW, PULLEY	00	1
18	200816	PULLEY, MOTOR (W/SET SCREW)	00	1
19	201805	MOTOR (ONE SPEED)	00	1
20	201807	MOTOR - TWO SPEED 120-60 Note: PART NOT USED	00	1
21	205999	MOTOR MOUNT ASSM COMPLETE Note: ASSY., MOTOR MOUNT (COMPLETE)	00	1
22	206504	MOTOR EXTERNAL START SWITCH Note: SWITCH, MOTOR EXTERNAL START	00	1
22	205132	SWITCH, MOTOR START Note: SWITCH, MOTOR EXTERNAL START	00	1
22 N	205133	MOTOR EXTERNAL START SWITCH Note: SWITCH, MOTOR EXTERNAL START	00	1
22 N	205134	MOTOR EXTERNAL START SWITCH Note: SWITCH, MOTOR EXTERNAL START	00	1
22	205131	SWITCH, MOTOR START Note: SWITCH, MOTOR EXTERNAL START	00	1
22	206505	SWITCH, MOTOR START Note: SWITCH, MOTOR EXTERNAL START	00	1
-	213121	SCREW	00	1
-	215098	SHIELD, MOTOR	00	1
24	052734	NUT Note: NUT, BRACE TO TUB	00	3
25	052785	NUT,BRACE TO DAMPER Note: NUT, BRACE TO DAMPER	00	6
26	210385	NUT, LOCK	00	4
27	211949	NUT, EYEBOLT	00	3
28	202203	PUMP AS PAK	00	1
-	015408	SCREW, BEARING INSERT	00	1
-	211880	SCREW, HEX HD #10 X 1/2 INC Note: SCREW, HEX HD (#10 X 1/2")	00	3
29	204998	GLIDE KIT (4 W/POLY LUBE) Note: KIT, GLIDE (4 W/POLY LUBE)	00	1
30	205000	GLIDE & SPRING KIT Note: KIT, GLIDE & SPRING	00	1
31	210684	FOOT, RUBBER	00	4
32	202718	TENSION SPRINGS Note: SPRINGS, TENSION	00	1
33	206708	TRANSMISSION	00	1
34	214956	MOUNT, MOTOR/UPPER Note: PLATE, MOTOR MOUNT (UPPER)	00	1
35	054867	WASHER, LOCK	00	3
36	211100	WASHER, CUSHION	00	3
37	212979	WASHER, TUB BRACE	00	3
38	911852	WASHER, LOCK (BRACE)	00	6
39	211028	DEFLECTOR,WATER (DRIVE TUBE) Note: DEFLECTOR, WATER (DRIVE TUBE)	00	1

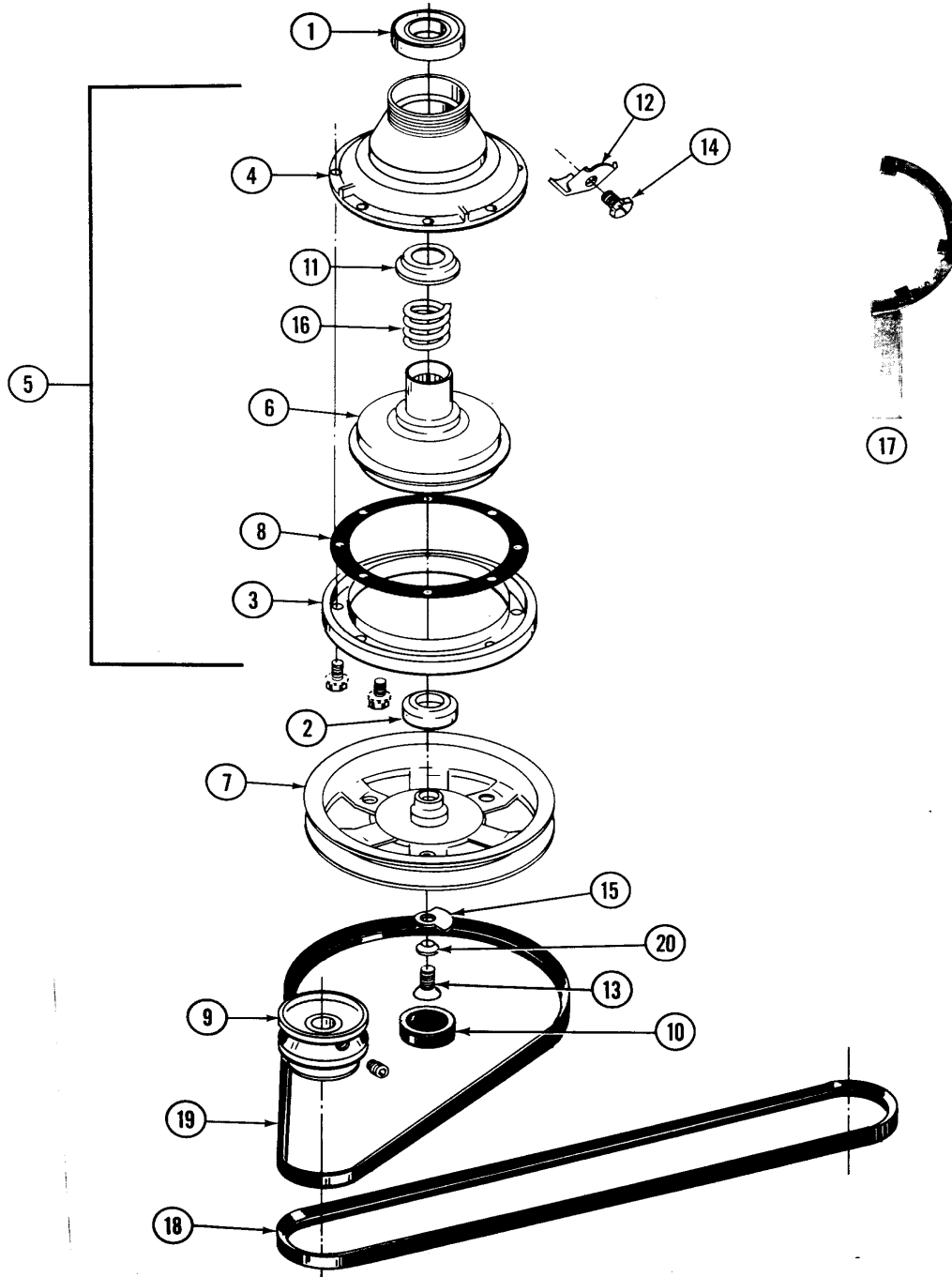
*Color Code (-)=Not Shown #=Series, Serial Prefix or Run No., N=Not Available

Section: CLUTCH, BRAKE & BELTS

Model: A8200

SECTION: CLUTCH, BRAKE & BELTS

MODEL: ALL MODELS



Issue Date: 6/90

44

MA80D3

Section: CLUTCH, BRAKE & BELTS

No.	Part No.	Description	Series	Qty
1	200720	BALL BEARING, RADIAL	00	1
2	200835	BEARING, BRAKE ROTOR	00	1
3	211043	DRUM, BRAKE	00	1
-	211000	SCREW,HEX HEAD (BRAKE DRUM) Note: SCREW, HEX HEAD (BRAKE DRUM)	00	8
4	211045	HOUSING, BRAKE	00	1
5	201190	BRAKE ASSEMBLY Note: PACKAGE, BRAKE	00	1
6	201126	ROTOR, BRAKE (W/FACING) Note: ROTOR, BRAKE (W/FACING)	00	1
7	211059	PULLEY, DRIVE	00	1
8	211042	GASKET, BRAKE DRUM	00	1
9	200816	PULLEY, MOTOR (W/SET SCREW)	00	1
-	053241	SET SCREW, PULLEY	00	1
10 N	211038	CAP, OIL RETAINER	00	1
11	211039	RETAINER, BRAKE SPRING	00	1
12	213325	CLIP, RETAINER	00	1
13	211375	SCREW,STOP LUG(CENTER SHAFT) Note: SCREW, STOP LUG	00	1
14	213326	SCREW, RETAINING CLIP Note: BOLT, RETAINING CLIP	00	1
15	211089	LUG, STOP	00	1
16	211041	SPRING, BRAKE	00	1
17	038315	TOOL, BRAKE PKG ASSY Note: TOOL, BRAKE PACKAGE ASSEMBLY	00	1
18	211124	V BELT, PUMP	00	1
19	211125	V BELT,DRIVE PULLEY Note: V BELT, DRIVE PULLEY	00	1
20	211090	WASHER, LOCK	00	1

*Color Code (-)=Not Shown #=Series, Serial Prefix or Run No., N=Not Available