

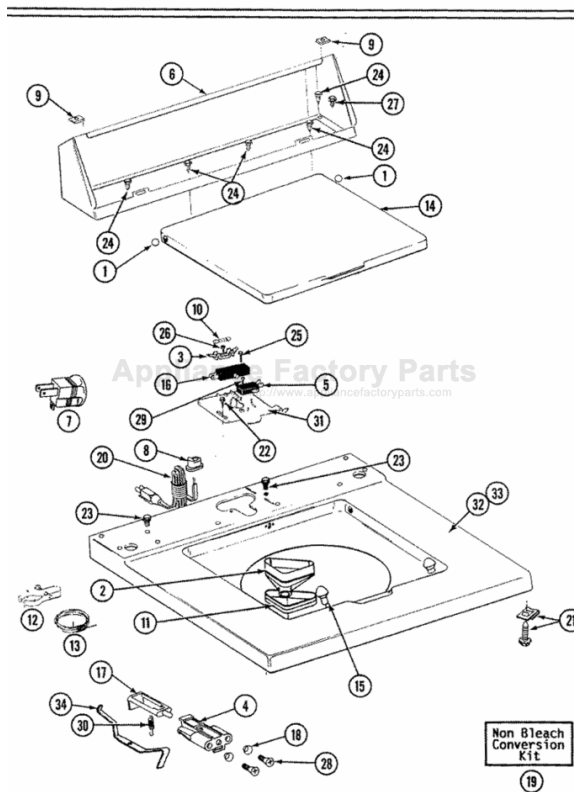
This Owner's Manual is provided and hosted by Appliance Factory Parts.



MAYTAG A8800 Owner's Manual

[Shop genuine replacement parts for MAYTAG A8800](#)

TOP COVER, CONSOLE & LID SWITCH



[Find Your MAYTAG Washer Parts - Select From 1759 Models](#)

----- Manual continues below part list -----

Available Replacement Parts for MAYTAG A8800

WP207166	SWITCH CHECK AFTERMARKET
214765	GASKET AFTERMARKET
211100	NLA 08/18 AUTO FIBERWASHR
211047	USE WP6-2110472 NUT- CLAMP AW
210684	USE WP210684 PAD DR
203956	KIT-DAMPER DR
WP211232	SEAL DR
6-2095720	MOUNTING S AW AFTERMARKET
WP211726	BALL DR
WP213045	DRAIN HOSE DR
WP6-2008160	PULLEY-MOTOR **new**
525	FILL VALVE CW151

Repair Parts List

MODEL NUMBER

A8800

WASHER

When requesting service or ordering parts, always provide the following information:

- Product Type
- Part Number
- Model Number
- Part Description

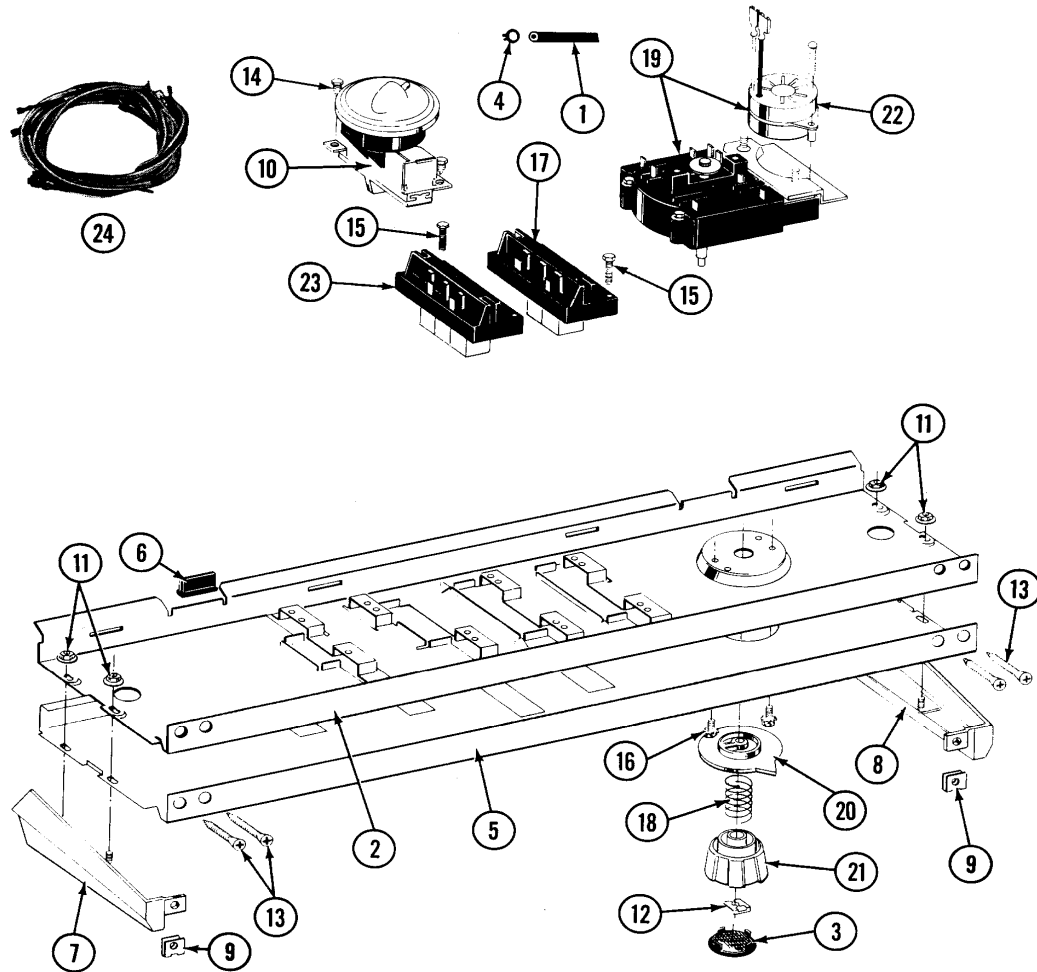
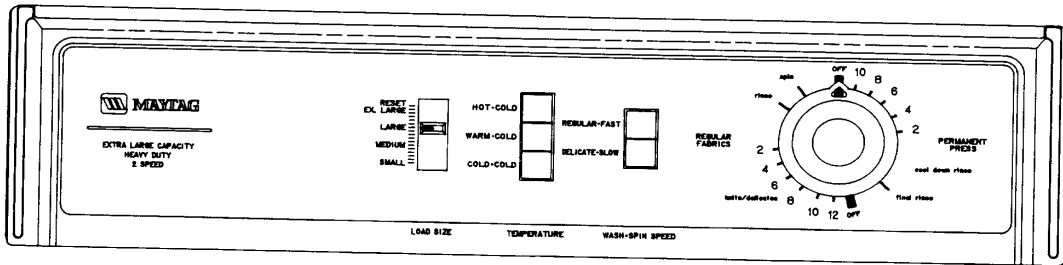
MAYTAG®

©2005 Maytag Services

Section: CONTROL PANEL

Model: A8800

SECTION: CONTROL PANEL
MODEL: A8800 A8820 A8840



Issue Date: 4/90

Section: CONTROL PANEL

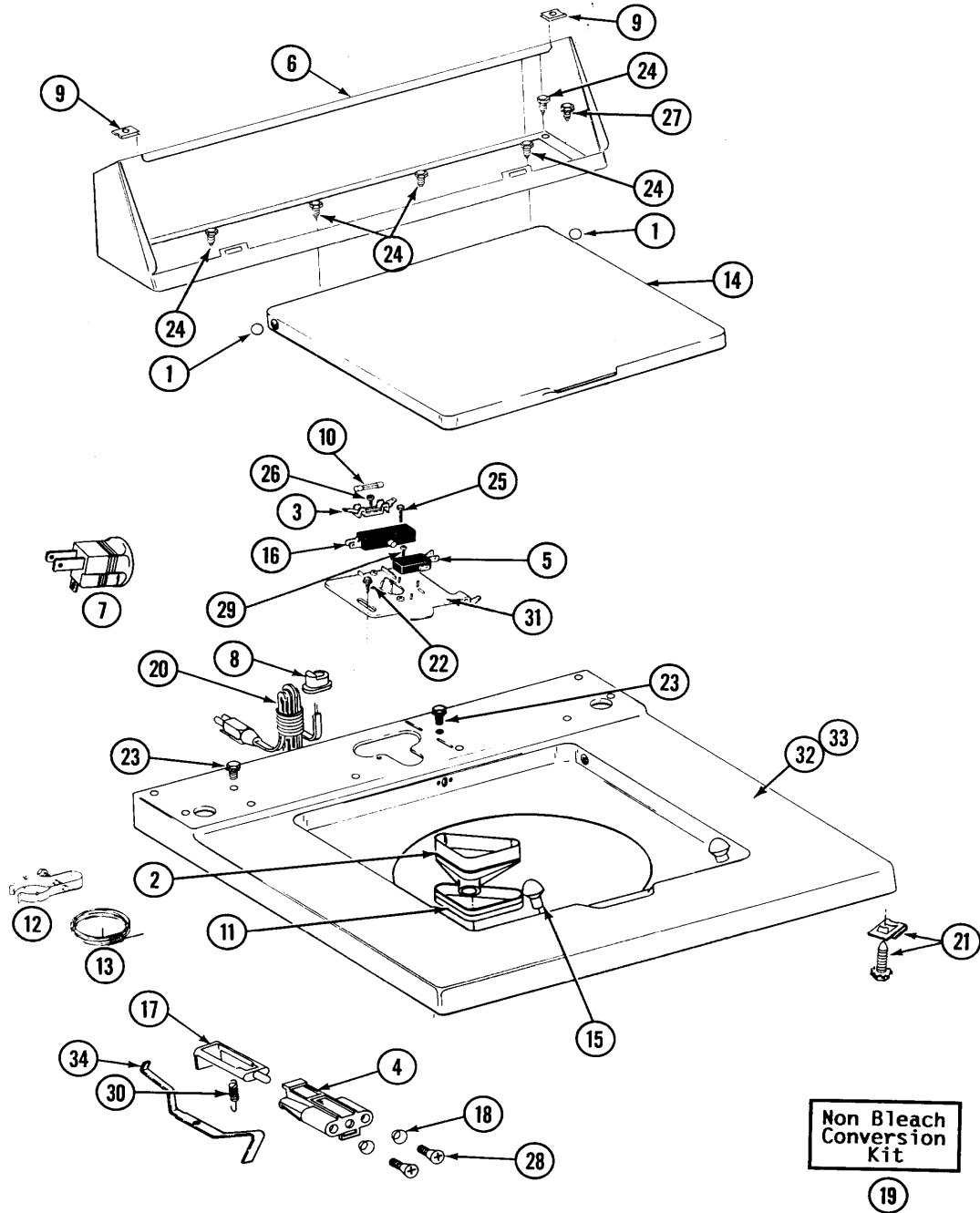
No.	Part No.	Description	Series	Qty
1	212942	AIR DOME AND TUBE	00	1
2	214809	BACK UP PLATE	00	1
3	215821	CAP, KNOB	00	1
4	410296	CLAMP,WATER LEVEL SWTCH TUBE	00	1
5	N 207391	CONTROL PANEL	00	1
6	N 214897	PAD, CONTROL PANEL	00	2
7	207215	END CAP LH	00	1
8	207216	END CAP RH	00	1
9	214894	FASTENER, END CAP	00	2
10	207360	INFINITE LEVEL PRESS SWITCH	00	1
11	214872	PALNUT, END CAP	00	4
12	211605	RETAINER, TIMER KNOB	00	1
13	210932	SCREW, #8 X 9/16 CTSK	00	2
-	210932	SCREW, #8 X 9/16 CTSK	00	2
14	211168	SCREW, #8 X 5/16 INCH	00	2
15	213117	SCREW-TEMP. SWITCH TO PANEL	00	2
-	213117	SCREW-TEMP. SWITCH TO PANEL	00	2
16	213966	SCREW-TIMER TO CONTROL PANE	00	2
17	207370	SPEED CONTROL SWITCH - 2 BUTTO	00	1
18	211065	SPRING, TIMER KNOB	00	1
19	207374	TIMER	00	1
20	215827	TIMER DIAL SKIRT	00	1
21	215828	KNOB, TIMER (BLK)	00	1
22	205033	TIMER MOTOR 120-60	00	1
23	207368	TEMP CONTROL SWITCH - 3 BUTTON	00	1
24	N 207384	WIRE HARNESS	00	1

*Color Code (-)=Not Shown #=Series, Serial Prefix or Run No., N=Not Available

Section: TOP COVER, CONSOLE & LID SWITCH

Model: A8800

SECTION: TOP COVER, CONSOLE & LID SWITCH
MODEL: ALL MODELS



Issue Date: 4/90

Section: TOP COVER, CONSOLE & LID SWITCH

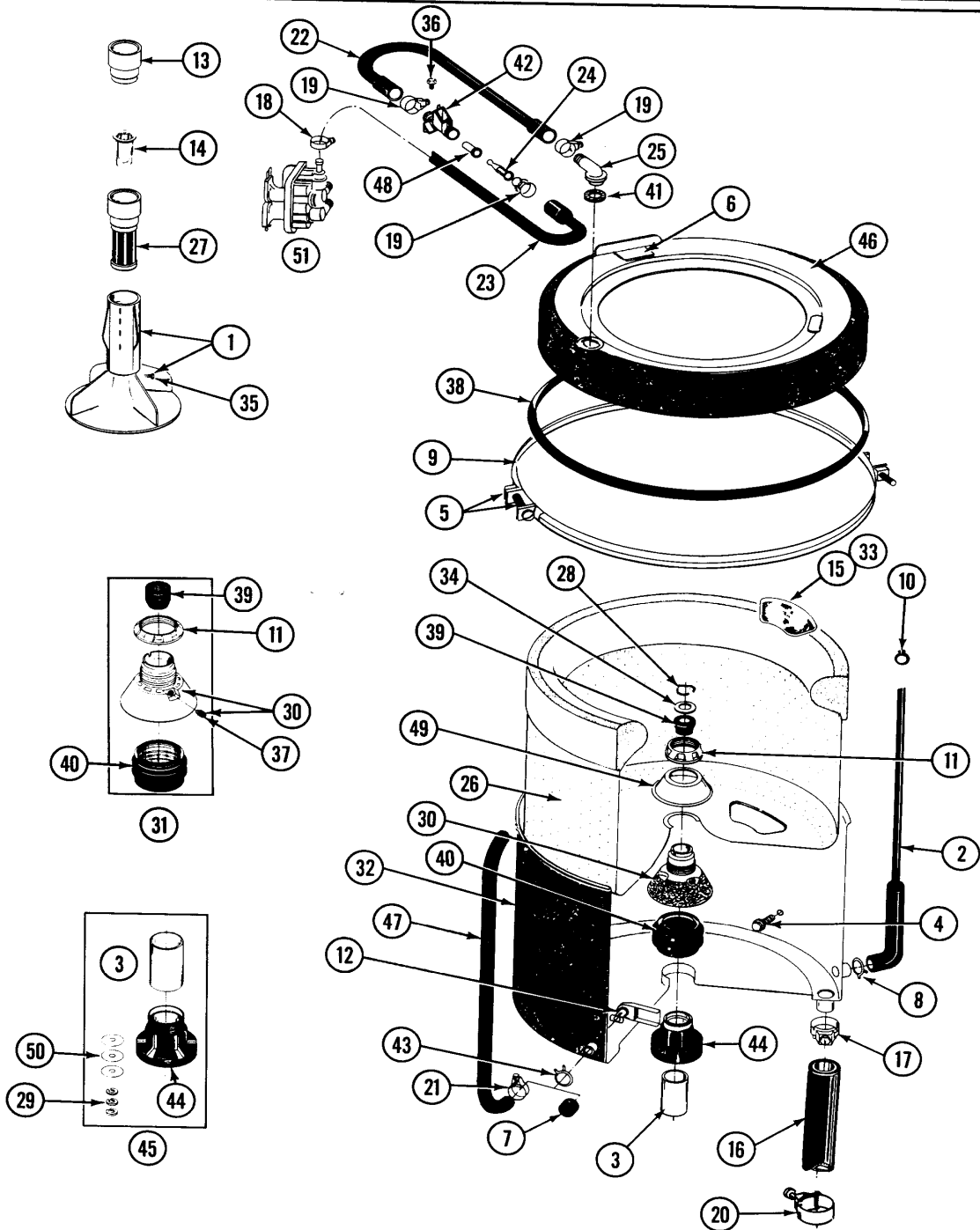
No.	Part No.	Description	Series	Qty
1	211726	HINGE, BALL	00	1
2	215578	BLEACH INLET ALMOND	00	1
2	215577	BLEACH INLET WHITE	00	1
3	207167	BLOCK, FUSE	00	1
4	214279	BRACKET F/LID SWITCH PLUNGE	00	1
5	207166	SWITCH, CHECK	00	1
6 N	205635	CONSOLE (WHT)	00	1
6 N	205635L	CONSOLE (ALM)	00	1
6 N	205635M	CONSOLE (HVST WHEAT)	00	1
7 N	201808	CONVERTER	00	1
8	211881	GROMMET, CORD	00	1
9	215075	FASTENER,CNTRL PNL TO CONSOLE	00	2
10	207168	FUSE	00	1
11	214436	GASKET	00	1
12	301548	CLAMP, GROUND (W/SCREW)	00	1
13	311155	GROUND WIRE	00	1
14	212073L	LID-ALMOND	00	1
14	212073	LID-WHITE	00	1
14 N	212073M	LID-HARVEST WHEAT	00	1
15	212716	BUMPER, LID	00	2
16	205415	SWITCH, LID (W/O TUB LIGHT)	00	1
17 N	215700	LID SWITCH PLUNGER	00	1
18	211500	WASHER,BRACKE TO TOP COVER	00	2
19	205997	NON-BLEACH CONVERSION KIT	00	1
20	204590	POWER CORD	00	1
21	204445	SCREW & FASTENER ASY.	00	2
22	207159	SCREW	00	1
23	210186	SCREW, GROUND WIRE TO BASE--NA	00	2
24	211294	SCREW	00	5
25	213501	SCREW, #6-20 X 1-1/8 INCH	00	2
26	215705	SCREW	00	1
27	313559	SCREW	00	1
28	910182	SCREW	00	2
29	912012	SCREW	00	1
30	213720	SPRING	00	1
31	215699	BRACKET,SWITCH & FUSE	00	1
32 N	207170M	TOP COVER ASSY HVT WHEAT	00	1
32 N	207170	TOP COVER	00	1
32 N	207170L	TOP COVER ASSY ALM---NA	00	1
33 N	207172L	TOP COVER ASSY ALM---NA	00	1
33 N	207172	TOP COVER	00	1
34	215704	UNBALANCE LEVER	00	1

*Color Code (-)=Not Shown #=Series, Serial Prefix or Run No., N=Not Available

Section: TUB, AGITATOR, MOUNTING STEM & SEAL

Model: A8800

SECTION: TUB AGITATOR, MOUNTING STEM & SEAL
MODEL: ALL MODELS



Issue Date: 4/90

Section: TUB, AGITATOR, MOUNTING STEM & SEAL

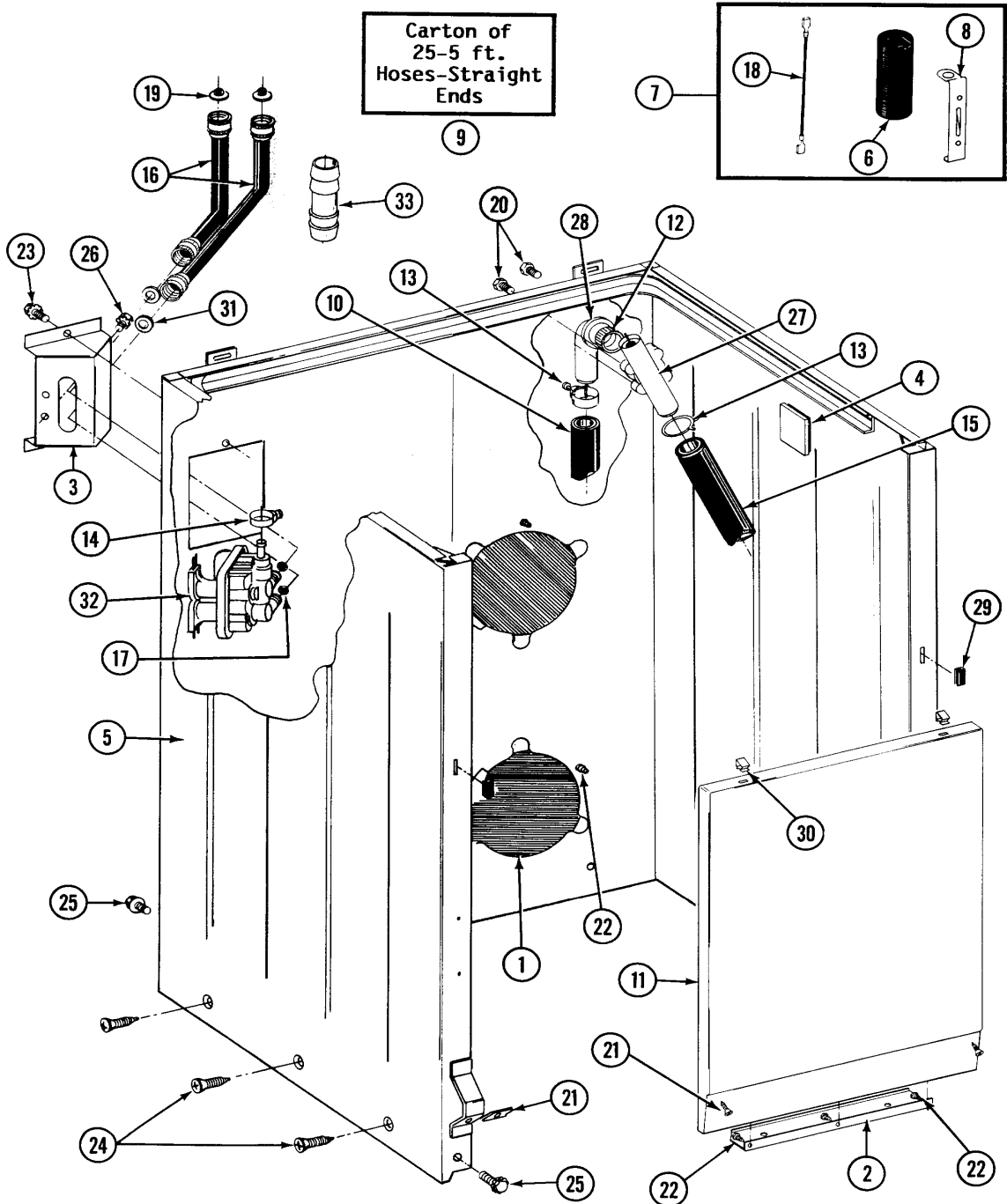
No.	Part No.	Description	Series	Qty
1	207228	AGITATOR W/LOCK SCREW	00	1
2	215976	AIR TUBE	00	1
2	212942	AIR DOME AND TUBE	00	1
3	211130	LINER, TUB BEARING	00	1
4	200744	BOLT & GASKET ASSY.(SHORT)	00	1
4	205254	BOLT & GASKET ASSEMBLY (LONG)	00	2
5	205529	NUT & BOLT KIT FOR TUB CLAM	00	2
6	215232	UNBALANCE BUMPER	00	1
8	211641	CLAMP, 1-1/16"	00	1
9	200846	CLAMP - TUB COVER	00	1
10	410296	CLAMP,WATER LEVEL SWTCH TUBE	00	1
11	211047	NUT, CLAMPING (INNER TUB)	00	1
12	214434	SPOUT, DEFLECTOR	00	1
16	213045	DRAIN HOSE-TUB TO PUMP	00	1
17	200900	CLAMP, SPRAY ARM HOSE	00	1
18	201575	HOSE CLAMP	00	1
19	202515	HOSE CLAMP - 1-1/16 INCH	00	3
20	202574	CLAMP, HOSE	00	1
21	205161	CLAMP - 15/16"	00	1
22	215234	INJECTOR FILL HOSE	00	1
23	213013	HOSE, INJECTOR	00	1
24	213015	INJECTOR NOZZLE	00	1
25	215235	INJECTOR TUBE	00	1
26	207831	INNER TUB W/PLUG	00	1
28	015667	RETAINING RING	00	1
29	054867	WASHER, LOCK	00	3
30	202521	MOUNTING STEM	00	1
31	204012	MOUNTING STEM REPAIR KIT	00	1
32	205484	OUTER TUB	00	1
33	215980	PLUG, FILTER HOLE	00	2
34	015666	WASHER,RETAINING(CENTER SEAL)-	00	1
35	206478	SCREW & WASHER FOR AGITATOR	00	1
36	312620	SEMS SCREW, #10-16 X 1/2"	00	1
37	211618	SET SCREW, MTG. STEM	00	1
38	211232	SEAL	00	1
39	0A4298	SEAL, AGITATOR DRIVE SHAFT	00	1
40	201537	SEAL AND SPRING	00	1
41	215233	SEAL FOR INJECTOR TUBE	00	1
42	215447	SLEEVE FOR INJECTOR	00	1
43	214739	SPRING HOSE CLAMP	00	1
44	200824	BEARING, TUB	00	1
45	204013	TUB BEARING REPAIR KIT	00	1
46	206380	TUB COVER	00	1
47	214433	TUBE, INLET TO TUB	00	1
48	213016	VALVE FOR INJECTOR SUB	00	1
49	211210	WASHER,CLAMPING NUT(STAINLESS)	00	1
50	211100	WASHER, CUSHION	00	3
51	205613	WATER VALVE	00	1

*Color Code (-)=Not Shown #=Series, Serial Prefix or Run No., N=Not Available

Section: CABINET, WATER VALVE, HOSES & FRNT PANEL

Model: A8800

SECTION: CABINET, WATER VALVE, HOSES & FRONT PANEL
MODEL: ALL MODELS



Issue Date: 4/90

Section: CABINET, WATER VALVE, HOSES & FRNT P

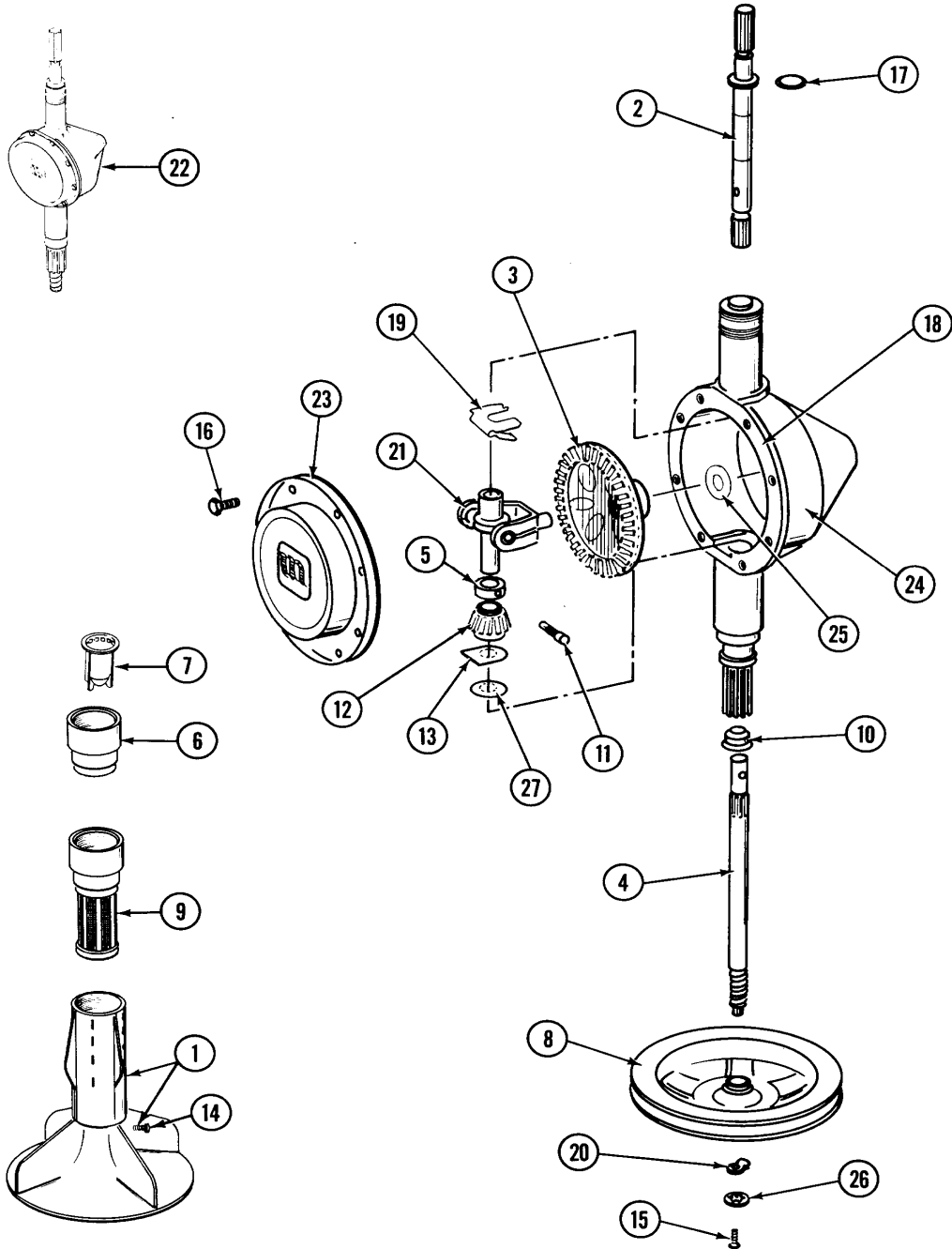
No.	Part No.	Description	Series	Qty
1	N 211878	PLATE, ACCESS	00	2
2	213846	GUARD, BELT	00	1
3	214812	BRACKET,WATER VALVE	00	1
4	215058	PAD, CABINET BUMPER	00	2
5	N 203319	CABINET-WHITE	00	1
5	N 203319M	CABINET-HARVEST WHEAT	00	1
5	N 203319L	(ALMOND)	00	1
6	200832	CAPACITOR	00	1
7	206103	CAPACITOR KIT	00	1
8	211149	CLIP, CAPACITOR	00	1
9	202861	CARTON OF 25 HOSE, 5'	00	1
10	216017	HOSE, DRAIN (7/8" I.D.)	00	1
10	215279	HOSE, DRAIN	00	1
10	N 059149	(7/8" I.D. CARTON OF 50 FT.)	02	1
11	212998L	FRONT PANEL-ALMOND	00	1
11	212998	FRONT PANEL-WHITE	00	1
11	N 212998M	FRONT PANEL-HARVEST WHEAT	00	1
12	214765	GASKET, SIPHON BREAK	00	1
13	200908	HOSE CLAMP - 1-1/2 INCH	02	1
13	200461	HOSE CLAMP - 1-5/8 INCH	00	1
14	201575	HOSE CLAMP	00	1
15	214767	HOSE,PUMP TO SIPHON BREAK	00	1
16	200681	INLET HOSE, HOT 10 FT.	00	1
16	202860	INLET HOSE ASSY.	00	2
16	200688	INLET HOSE, HOT 6 FT.	00	1
16	200672	INLET HOSE ASSY.	00	1
16	205828	HOSE, INLET ASSY.	00	1
17	214337	SCREEN, VALVE	00	1
18	203237	#17 WIRE WITH TERMINAL	00	1
19	200961	SCREEN WASHER, INLET HOSE	00	1
20	014874	SCREW	00	4
21	204439	SCREW & FSTNER ASSY(FRT.PANEL)	00	2
22	211294	SCREW	00	5
23	212276	SCREW	00	1
24	213007	SCREW, CABINET	00	6
25	213121	SCREW	00	3
25	213122	SCREW,CBNT.TO FRNT OF BASE--NA	00	2
26	N 313561	SCREW---NA	00	2
27	206638	SIPHON BREAK(W/CLAMP)	00	1
28	214764	SIPHON BREAK ELBOW	00	1
28	216016	ELBOW, SIPHON BREAK	02	1
29	214376	SPACER, FRONT PANEL	00	2
30	212982	FASTENER, PANEL	00	2
31	013783	GASKET, INLET HOSE	00	2
32	205613	WATER VALVE	00	1
33	216015	HOSE COUPLING	00	1

*Color Code (-)=Not Shown #=Series, Serial Prefix or Run No., N=Not Available

Section: ORBITAL TRANSMISSION

Model: A8800

SECTION: ORBITAL TRANSMISSION
MODEL: ALL MODELS



Issue Date: 4/90

Section: ORBITAL TRANSMISSION

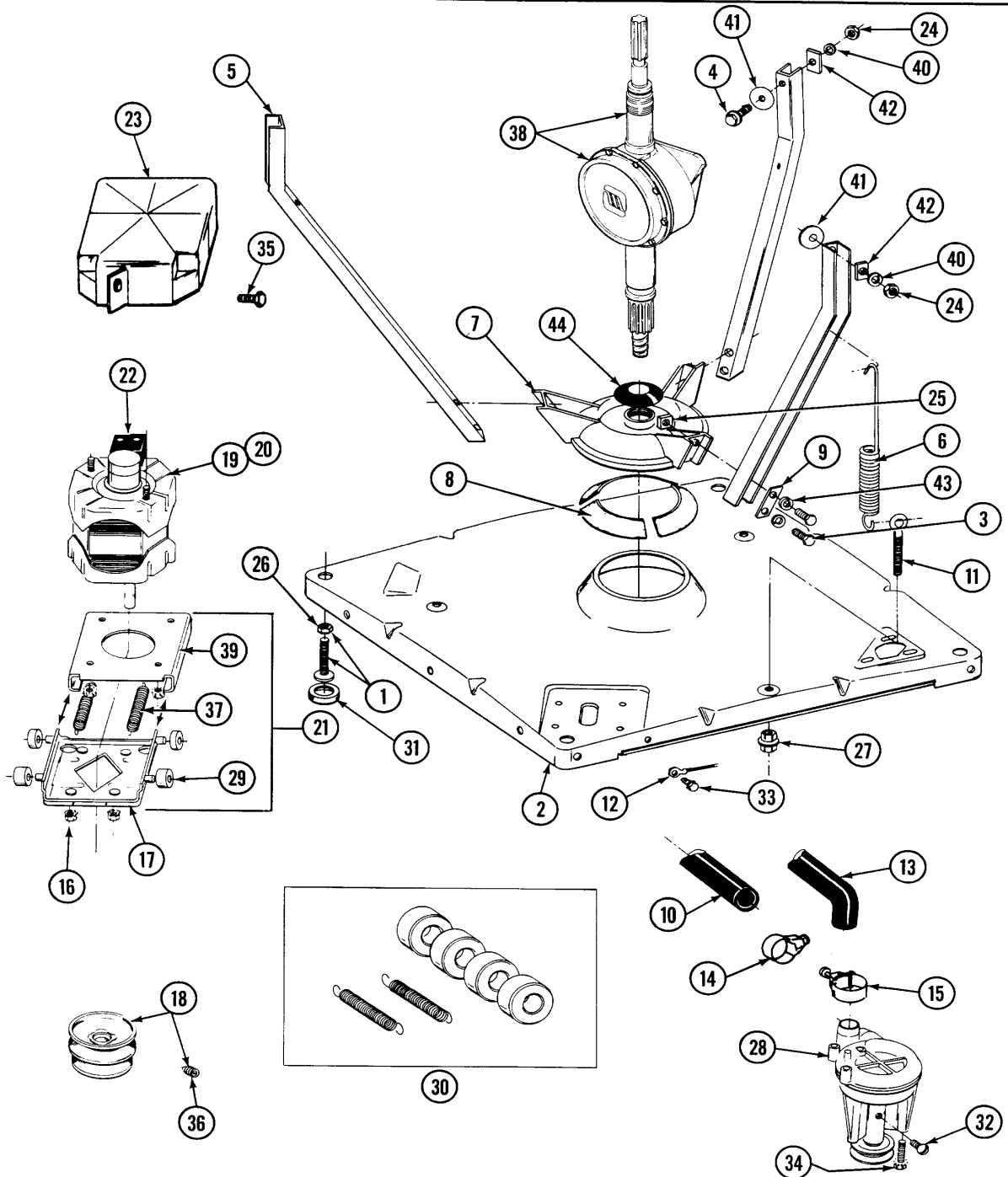
No.	Part No.	Description	Series	Qty
1	207228	AGITATOR W/LOCK SCREW	00	1
2	207153	SHAFT, AGITATOR (W/SPRING)	00	1
3	206713	GEAR, BEVEL	00	1
4	215410	CENTER SHAFT - LARGER	00	1
5	215415	COLLAR, LOWER	00	1
8	211059	PULLEY, DRIVE	00	1
9	207657	LINT FILTER DEEP Note: LINT FILTER FOR AGITATOR	00	1
10	206602	SEAL, LIP (CENTER SHAFT)	00	1
11	206629	PIN, COLLAR	00	1
12	215401	PINION	00	1
13	215395	PLATE, CLUTCH	00	1
14	206478	SCREW & WASHER FOR AGITATOR	00	1
15	211375	SCREW, STOP LUG (CENTER SHAFT)	00	1
16	215417	SCREW, TRANSMISSION COVER	00	8
17	210690	SEAL, RUBBER	00	1
18	058700	SILASTIC, ADH. SEALANT	00	1
19	215581	SPRING, AGITATOR SHAFT	00	1
20	211089	LUG, STOP	00	1
21	206685	BLOCK, TORQUE AND YOKE ASSEMBL	00	1
22	206707	TRANSMISSION, ORBITAL	00	1
23	206628	COVER, TRANSMISSION	00	1
24	206624	HOUSING, TRANSMISSION	00	1
25	215394	WASHER, BEVEL GEAR	00	1
26	211090	WASHER, LOCK	00	1
27	211483	WASHER, SPLINED	00	1

*Color Code (-)=Not Shown #=Series, Serial Prefix or Run No., N=Not Available

Section: BASE, PUMP, MOTOR & COMPONENTS

Model: A8800

SECTION: BASE, PUMP, MOTOR & COMPONENTS
MODEL: ALL MODELS



Issue Date: 4/90

Section: BASE, PUMP, MOTOR & COMPONENTS

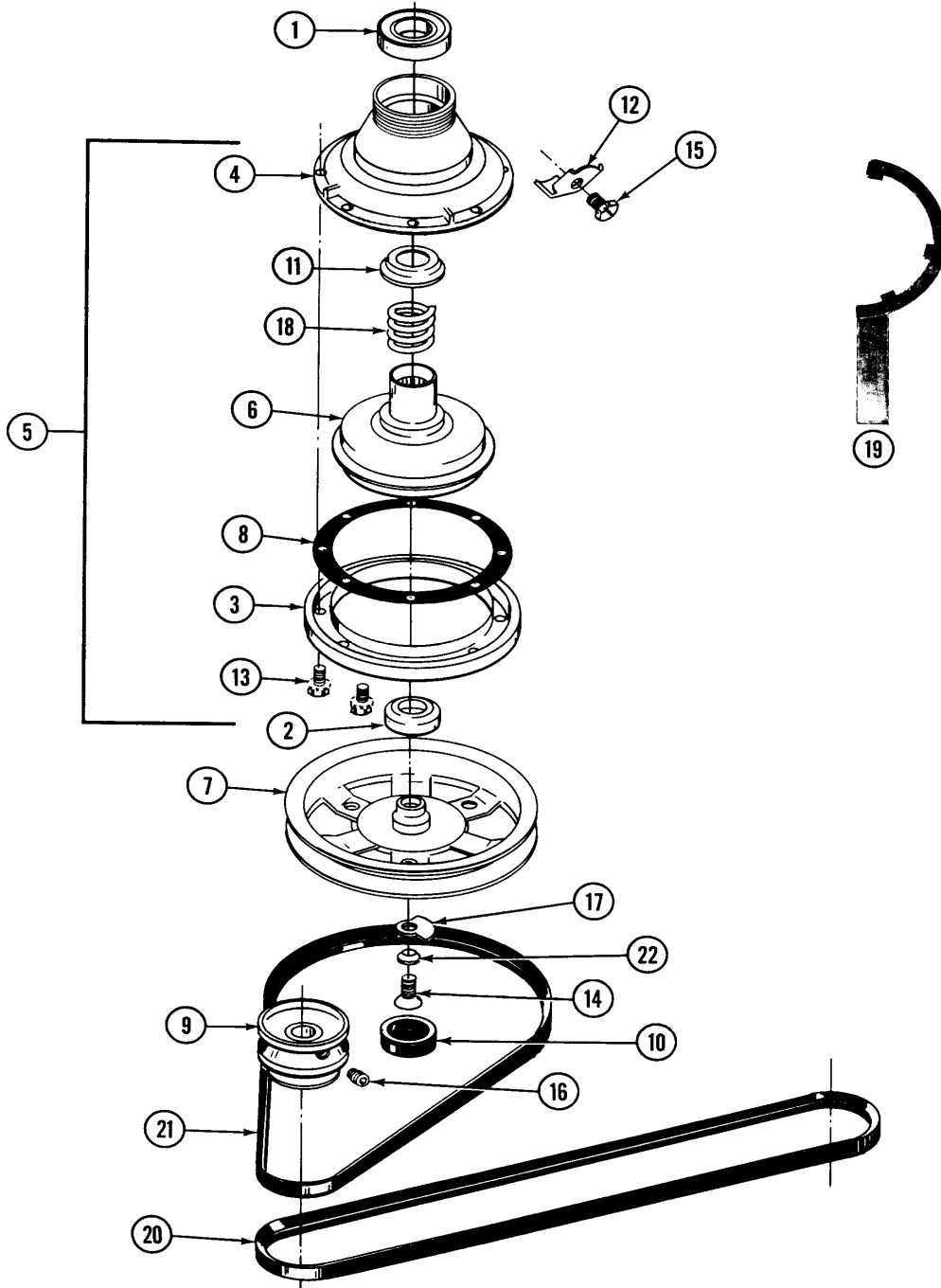
No.	Part No.	Description	Series	Qty
1	302699	LEG, ADJUSTABLE (W/NUT)	00	4
2	203274	BASE WITH DAMPER PADS	00	1
3	015627	SCREW, HEX HD CAP 5/16 X 5/8	00	6
4	205254	BOLT & GASKET ASSEMBLY (LONG)	00	2
4	200744	BOLT & GASKET ASSY.(SHORT)	00	1
5	213053	BRACE, TUB	00	3
6	213054	CENTERING SPRING - 3 USED	00	3
7	203725	DAMPER W/BOLT & CLIP	00	1
8	203956	DAMPER PAD KIT (W/POLY LUBE)	00	1
9	213073	WASHER, DOUBLE	00	3
10	214767	HOSE,PUMP TO SIPHON BREAK	00	1
11	213120	EYE BOLT FOR CENTER SPRING	00	3
12	204807	GRND.WIRE,SUPP.PLTE TO TOP CVR Note: GROUND WIRE-MOTOR TO BASE	00	1
13	213045	DRAIN HOSE-TUB TO PUMP	00	1
14	200461	HOSE CLAMP - 1-5/8 INCH	00	1
15	202574	CLAMP, HOSE	00	1
16	N 311246	KEPS NUT-MOTOR BASE	00	3
17	205908	LOWER MOTOR MOUNT	00	1
18	200816	PULLEY, MOTOR (W/SET SCREW)	00	1
20	201807	MOTOR - TWO SPEED 120-60 Note: MOTOR-TWO SPEED A8820 A8840-A9600-A9700-A9700S A9800-A9900	A6910-A8700-A8740-A8800-	00 1
21	205999	MOTOR MOUNT ASSM COMPLETE	00	1
22	206504	MOTOR EXTERNAL START SWITCH Note: 2-1666-13 AND 2-5464-1	00	1
22	205131	SWITCH, MOTOR START Note: MOTOR EXTERNAL START SWITCH 2-1666-2,2-1666-11,2-1666-12 2-1666-14 AND 2-5464-2	00	1
22	205132	SWITCH, MOTOR START Note: SWITCH, MOTOR START 1664-10,2-1664-12 AND 2-5463-2	PROD #2-1664-4,2-1664-9, 2-	00 1
22	206505	SWITCH, MOTOR START Note: SWITCH, MOTOR START	2-1664-11 AND 2-5463-1	00 1
22	N 205133	MOTOR EXTERNAL START SWITCH Note: SWITCH, MOTOR START	2-1664-8 AND 2-5463	00 1
22	N 205134	MOTOR EXTERNAL START SWITCH Note: MOTOR EXTERNAL START SWITCH 2-1666-8 AND 2-5464	00	1
23	215098	SHIELD, MOTOR	00	1
24	052734	NUT Note: NUT, BRACE TO TUB	00	3
25	052785	NUT,BRACE TO DAMPER Note: NUT, BRACE TO DAMPER	00	6
26	210385	NUT, LOCK	00	4
27	211949	NUT, EYEBOLT	00	3
28	202203	PUMP AS PAK	00	1
29	204998	GLIDE KIT (4 W/POLY LUBE) Note: ROLLER KIT (4 W/POLY LUBE)	00	1
30	205000	GLIDE & SPRING KIT Note: ROLLER & SPRING KIT	00	1
31	210684	FOOT, RUBBER	00	4
32	015408	SCREW, BEARING INSERT	00	1
33	210186	SCREW, GROUND WIRE TO BASE--NA	00	1
34	211880	SCREW, HEX HD #10 X 1/2 INC Note: SCREW, PUMP TO BASE	00	3
35	213121	SCREW Note: SCREW, MOTOR SHIELD TO CABINET	00	1
36	053241	SET SCREW, PULLEY	00	1
37	202718	TENSION SPRINGS	00	1
38	206707	TRANSMISSION, ORBITAL	00	1
39	214956	MOUNT, MOTOR/UPPER	00	1
40	054867	WASHER, LOCK	00	3
41	211100	WASHER, CUSHION	00	3
42	212979	WASHER, TUB BRACE	00	3
43	911852	WASHER, LOCK (BRACE)	00	6
44	211028	DEFLECTOR,WATER (DRIVE TUBE)	00	1

*Color Code (-)=Not Shown #=Series, Serial Prefix or Run No., N=Not Available

Section: CLUTCH, BRAKE & BELTS

Model: A8800

SECTION: CLUTCH, BRAKE & BELTS
MODEL: ALL MODELS



Issue Date: 4/90

Section: CLUTCH, BRAKE & BELTS

No.	Part No.	Description	Series	Qty
1	200720	BALL BEARING, RADIAL	00	1
2	200835	BEARING, BRAKE ROTOR	00	1
3	211043	DRUM, BRAKE	00	1
4	211045	HOUSING, BRAKE	00	1
5	201190	BRAKE ASSEMBLY	00	1
6	201126	ROTOR, BRAKE (W/FACING)	00	1
7	211059	PULLEY, DRIVE	00	1
8	211042	GASKET, BRAKE DRUM	00	1
9	200816	PULLEY, MOTOR (W/SET SCREW)	00	1
10 N	211038	CAP, OIL RETAINER	00	1
11	211039	RETAINER, BRAKE SPRING	00	1
12	213325	CLIP, RETAINER	00	1
13	211000	SCREW,HEX HEAD (BRAKE DRUM)	00	8
14	211375	SCREW,STOP LUG(CENTER SHAFT)	00	1
15	213326	SCREW, RETAINING CLIP	00	1
16	053241	SET SCREW, PULLEY	00	1
17	211089	LUG, STOP	00	1
18	211041	SPRING, BRAKE	00	1
19	038315	TOOL, BRAKE PKG ASSY	00	1
20	211124	V BELT, PUMP	00	1
21	211125	V BELT,DRIVE PULLEY	00	1
22	211090	WASHER, LOCK	00	1

*Color Code (-)=Not Shown #=Series, Serial Prefix or Run No., N=Not Available