

# Repair Parts List

MODEL NUMBER

GA183

## WASHER

When requesting service or ordering parts, always provide the following information:

- Product Type
- Part Number
- Model Number
- Part Description

**MAYTAG**®

©2005 Maytag Services

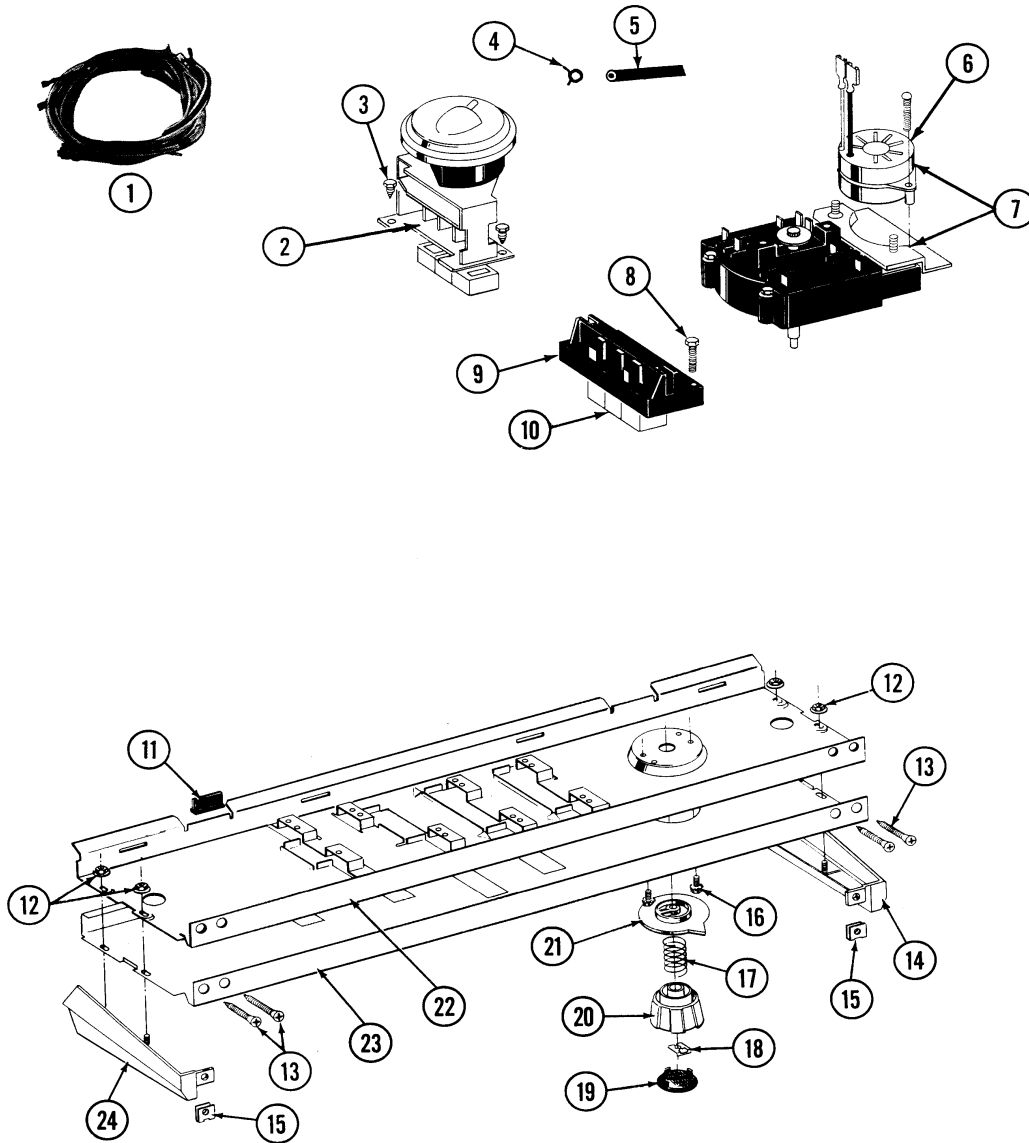
Section: CONTROL PANEL

Model: GA183

Section: CONTROL PANEL

P/N 16000218

Models: A104 A183 A282



11/91

## Section: CONTROL PANEL

| No. | Part No. | Description  | Series | Qty |
|-----|----------|--|--------|-----|
| 1   | N 206239 | WIRE HARNESS Note: HARNESS, WIRE                                 | 00     | 1   |
| 2   | N 206221 | WATER LEVEL SWITCH----NA Note: SWITCH, WATER LEVEL               | 00     | 1   |
| 3   | 211168   | SCREW, #8 X 5/16 INCH  | 00     | 2   |
| 4   | 410296   | CLAMP,WATER LEVEL SWTCH TUBE Note: CLAMP, WATER LEVEL SWTCH TUBE | 00     | 1   |
| 5   | 212942   | AIR DOME AND TUBE Note: AIR DOME & TUBE                          | 00     | 1   |
| 6   | 205033   | TIMER MOTOR 120-60 Note: MOTOR, TIMER (120-60)                   | 00     | 1   |
| 7   | 206686   | TIMER  | 00     | 1   |
| 8   | 213117   | SCREW-TEMP. SWITCH TO PANEL Note: SCREW, TEMP. SWITCH            | 00     | 2   |
| 9   | 206216   | WATER TEMPERATURE SWITCH Note: SWITCH, WATER TEMPERATURE         | 00     | 1   |
| 10  | 215211   | BUTTON FOR SWITCH Note: BUTTON, SWITCH                           | 00     | 1   |
| 11  | N 214897 | PAD, CONTROL PANEL   | 00     | 2   |
| 12  | 214872   | PALNUT, END CAP  | 00     | 4   |
| 13  | 210932   | SCREW, #8 X 9/16 CTSK Note: SCREW, PANEL & END CAP (CHR)         | 00     | 4   |
| 14  | 214816   | END CAP F/CONTROL PANEL-RH Note: CAP, END CONTROL PANEL (RT)     | 00     | 1   |
| 15  | 214894   | FASTENER, END CAP  | 00     | 2   |
| 16  | 213966   | SCREW-TIMER TO CONTROL PANE Note: SCREW, TIMER                   | 00     | 1   |
| 17  | 211065   | SPRING, TIMER KNOB   | 00     | 1   |
| 18  | 211605   | RETAINER, TIMER KNOB   | 00     | 1   |
| 19  | 215163   | CAP FOR KNOB Note: CAP, KNOB                                     | 00     | 1   |
| 20  | 215162   | TIMER KNOB Note: KNOB, TIMER                                     | 00     | 1   |
| 21  | 215161   | TIMER DIAL INDICATOR Note: INDICATOR, TIMER DIAL                 | 00     | 1   |
| 22  | 214818   | BACK UP PLATE Note: PLATE, BACK UP                               | 00     | 1   |
| 23  | N 206746 | CONTROL PANEL Note: PANEL, CONTROL                               | 00     | 1   |
| 24  | N 214815 | END CAP F/CONTROL PANEL-LH Note: CAP, END (LT)                   | 00     | 1   |

\*Color Code (-)=Not Shown #=Series, Serial Prefix or Run No., N=Not Available

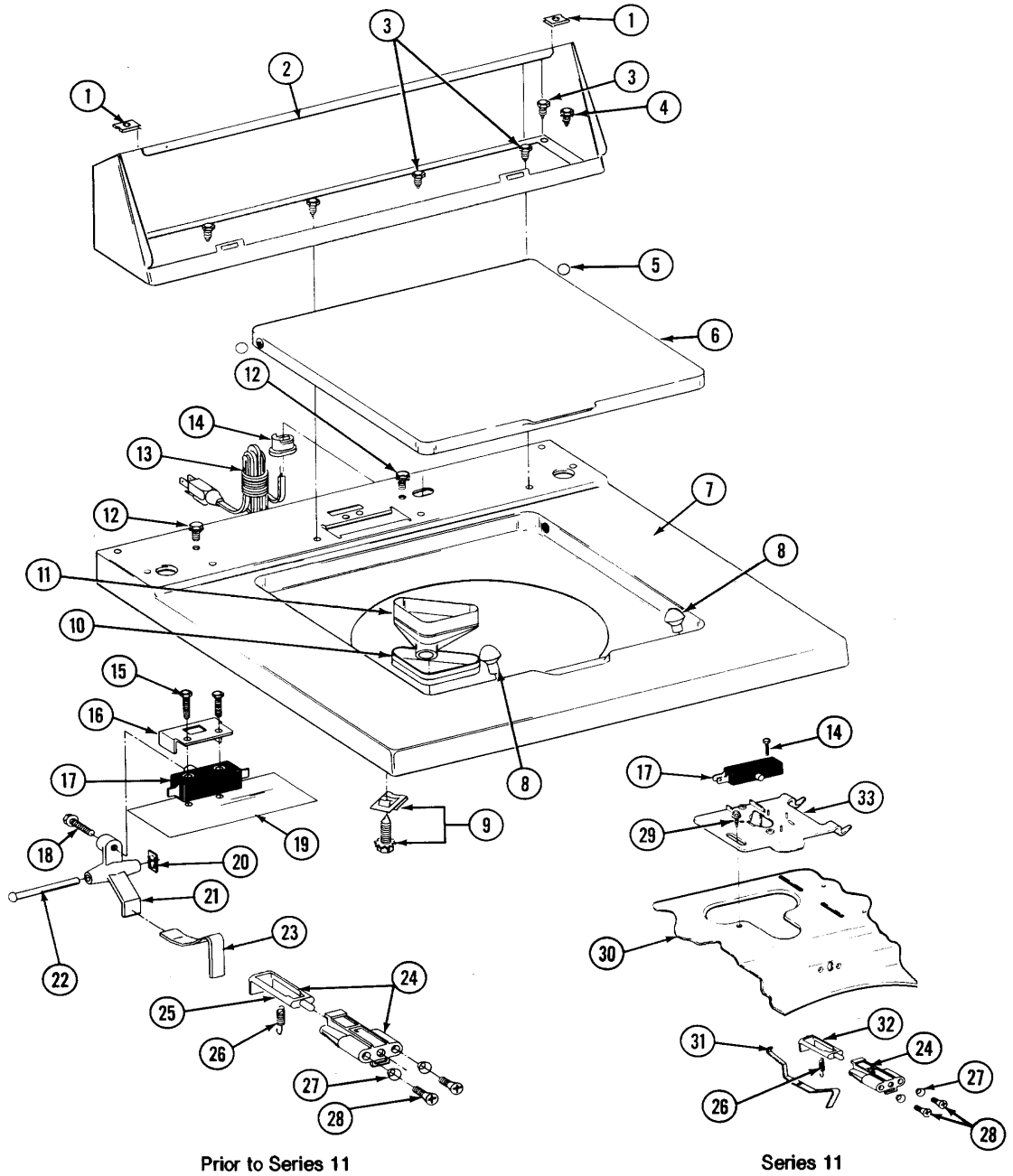
Section: TOP

Model: GA183

Section: TOP

P/N 1600021

Models: ALL MODELS



11/91

**Section: TOP**

| No. | Part No.  | Description   | Series | Qty |
|-----|-----------|---|--------|-----|
| 1   | 215075    | FASTENER,CNTRL PNL TO CONSOLE Note: FASTENER, CONTROL PANEL | 00     | 2   |
| 2   | N 205635M | CONSOLE (HVST WHEAT) Note: (H. WHEAT)                       | 00     | 1   |
| 3   | 211294    | SCREW   | 00     | 5   |
| 4   | N 313551  | SCREW, CONSOLE GROUND                                       | 00     | 1   |
| 5   | 211726    | HINGE, BALL   | 00     | 2   |
| 6   | N 212073M | LID-HARVEST WHEAT Note: (H. WHEAT)                          | 00     | 1   |
| 7   | N 205537M | TOP COVER-HARVEST WHEAT Note: (H. WHEAT)                    | 00     | 1   |
| 8   | 212716    | BUMPER, LID   | 00     | 2   |
| 9   | 204445    | SCREW & FASTENER ASY. Note: SCREW & FASTENER ASSEMBLY       | 00     | 2   |
| 10  | 214436    | GASKET Note: GASKET   | 00     | 1   |
| 11  | 214437    | BLEACH INLET Note: INLET, BLEACH                            | 00     | 1   |
| 12  | 210186    | SCREW, GROUND WIRE TO BASE--NA Note: SCREW, GROUND WIRE     | 00     | 2   |
| 13  | 204590    | POWER CORD  | 00     | 1   |
| 14  | 211881    | GROMMET, CORD   | 00     | 1   |
| 15  | 213501    | SCREW, #6-20 X 1-1/8 INCH                                   | 00     | 2   |
| 16  | 214898    | COVER FOR LID SWITCH Note: COVER, LID SWITCH                | 00     | 1   |
| 17  | 205415    | SWITCH, LID (W/O TUB LIGHT)                                 | 00     | 1   |
| 18  | 911267    | SCREW, PUMP COVER   | 00     | 1   |
| 19  | 214987    | MOISTURE BARRIER FOR SWITCH Note: MOISTURE BARRIER, SWITCH  | 00     | 1   |
| 20  | 410635    | FASTENER  | 00     | 1   |
| 21  | 214813    | LEVER FOR LID SWITCH Note: LEVER, LID SWITCH                | 00     | 1   |
| 22  | 214805    | PIN FOR UNBALANCE LEVER Note: PIN, UNBALANCE LEVER          | 00     | 1   |
| 23  | 215236    | UNBALANCE LEVER Note: LEVER, UNBALANCE                      | 00     | 1   |
| 24  | 204968    | PLUNGER & BRACKET ASSEMBLY                                  | 00     | 1   |
| 25  | 213718    | LID SWITCH PLUNGER Note: PLUNGER, LID SWITCH                | 00     | 1   |
| 26  | 213720    | SPRING  | 00     | 1   |
| 27  | 211500    | WASHER,BRACKE TO TOP COVER Note: WASHER, BRACKET            | 00     | 2   |
| 28  | 910182    | SCREW   | 00     | 2   |
| 29  | 207159    | SCREW   | 00     | 1   |
| 30  | N 207170M | TOP COVER ASSY HVT WHEAT Note: (H. WHEAT)                   | 11     | 1   |
| 31  | 215704    | UNBALANCE LEVER Note: LEVER, UNBALANCE                      | 11     | 1   |
| 32  | N 215700  | LID SWITCH PLUNGER Note: PLUNGER, LID SWITCH                | 11     | 1   |
| 33  | Y215699   | BRACKET,SWITCH & FUSE Note: BRACKET, SWITCH & FUSE          | 11     | 1   |

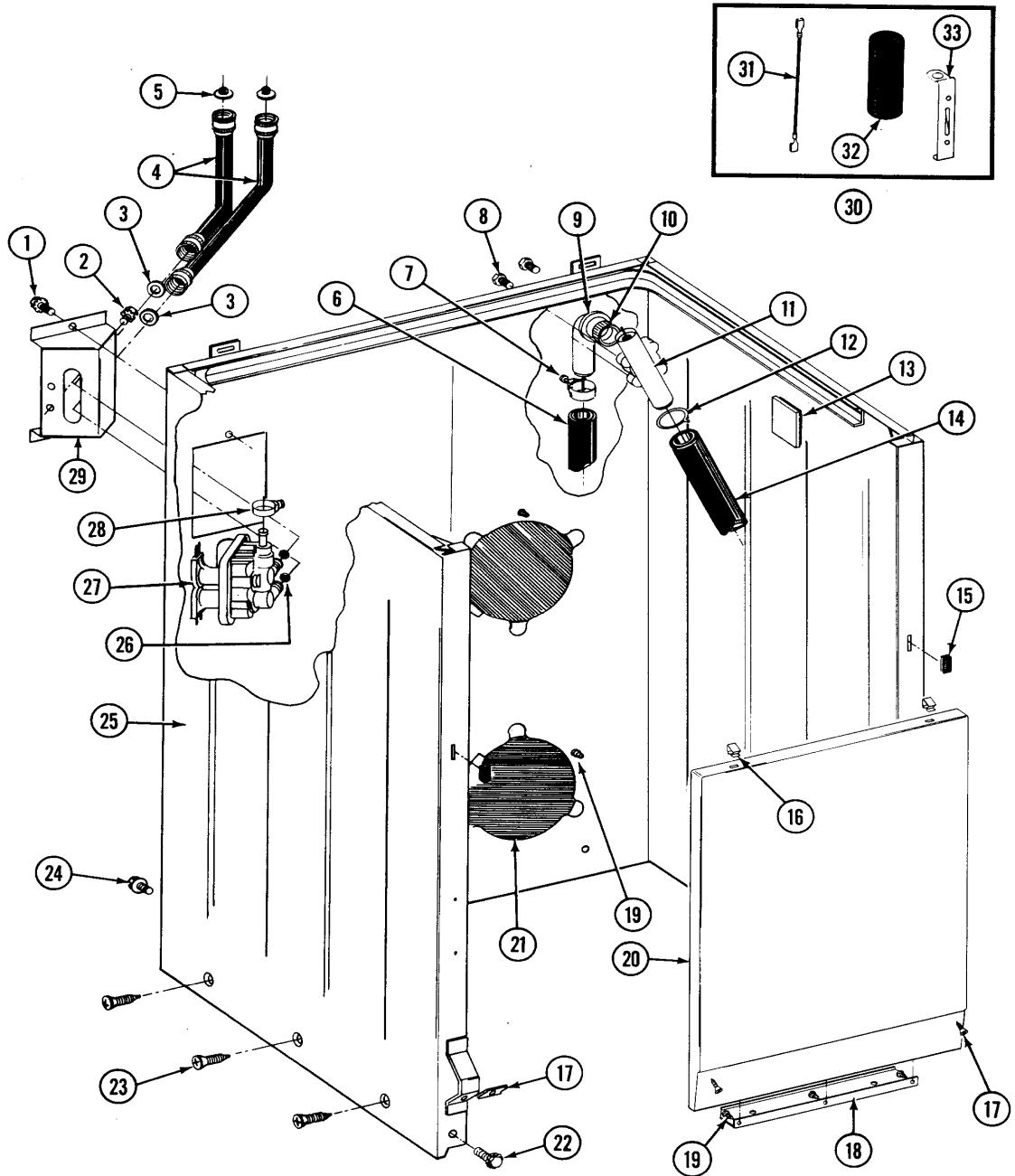
\*Color Code (-)=Not Shown #=Series, Serial Prefix or Run No., N=Not Available

Section: CABINET

Model: GA183

Section: CABINET  
Models: ALL MODELS

P/N 160002



11/91

16

MA67D3

## Section: CABINET

| No. | Part No.  | Description  | Series | Qty |
|-----|-----------|--|--------|-----|
| 1   | 212276    | SCREW  | 00     | 1   |
| 2   | N 313561  | SCREW----NA  | 00     | 2   |
| 3   | Y013783   | GASKET, INLET HOSE Note: WASHER, INLET HOSE                      | 00     | 2   |
| 4   | 202860    | INLET HOSE ASSY. Note: INLET HOSE ASSEMBLY                       | 00     | 2   |
| 5   | 200961    | SCREEN WASHER, INLET HOSE  | 00     | 2   |
| 6   | 215279    | HOSE, DRAIN  | 00     | 1   |
| 7   | 200461    | HOSE CLAMP - 1-5/8 INCH Note: HOSE CLAMP (1-5/8 INCH)            | 00     | 1   |
| 8   | Y014874   | SCREW  | 00     | 4   |
| 9   | 214764    | SIPHON BREAK ELBOW Note: \IPHON BREAK ELBOW                      | 00     | 1   |
| 10  | 214765    | GASKET, SIPHON BREAK   | 00     | 1   |
| 11  | 206638    | SIPHON BREAK(W/CLAMP) Note: SIPHON BREAK (W/CLAMP)               | 00     | 1   |
| 12  | 200461    | HOSE CLAMP - 1-5/8 INCH Note: HOSE CLAMP (1-5/8 INCH)            | 00     | 1   |
| 13  | 215058    | PAD, CABINET BUMPER  | 00     | 2   |
| 14  | 214767    | HOSE,PUMP TO SIPHON BREAK Note: HOSE, PUMP                       | 00     | 1   |
| 15  | 214376    | SPACER, FRONT PANEL  | 00     | 2   |
| 16  | 212982    | FASTENER, PANEL  | 00     | 2   |
| 17  | 204439    | SCREW & FSTNER ASSY(FRT.PANEL) Note: SCREW & FSTNER ASSY(FT.PNL) | 00     | 2   |
| 18  | 213846    | GUARD, BELT  | 00     | 1   |
| 19  | 211294    | SCREW  | 00     | 5   |
| 20  | N 212998M | FRONT PANEL-HARVEST WHEAT Note: (H. WHEAT)                       | 00     | 1   |
| 21  | N 211878  | PLATE, ACCESS  | 00     | 2   |
| 22  | 213122    | SCREW,CBNT.TO FRNT OF BASE--NA Note: SCREW, CABINET              | 00     | 2   |
| 23  | 213007    | SCREW, CABINET   | 00     | 6   |
| 24  | 213121    | SCREW  | 00     | 3   |
| 25  | N 203319M | CABINET-HARVEST WHEAT Note: (H. WHEAT)                           | 00     | 1   |
| 26  | 214337    | SCREEN, VALVE  | 00     | 2   |
| 27  | 205613    | WATER VALVE Note: VALVE, WATER                                   | 00     | 1   |
| 28  | 201575    | HOSE CLAMP Note: CLAMP, HOSE                                     | 00     | 1   |
| 29  | 214812    | BRACKET,WATER VALVE Note: BRACKET, WATER VALVE                   | 00     | 1   |
| 30  | 206103    | CAPACITOR KIT  | 00     | 1   |
| 31  | 203237    | #17 WIRE WITH TERMINAL Note: #17 WIRE W/TERMINAL                 | 00     | 1   |
| 32  | 200832    | CAPACITOR  | 00     | 1   |
| 33  | 211149    | CLIP, CAPACITOR  | 00     | 1   |

\*Color Code (-)=Not Shown #=Series, Serial Prefix or Run No., N=Not Available

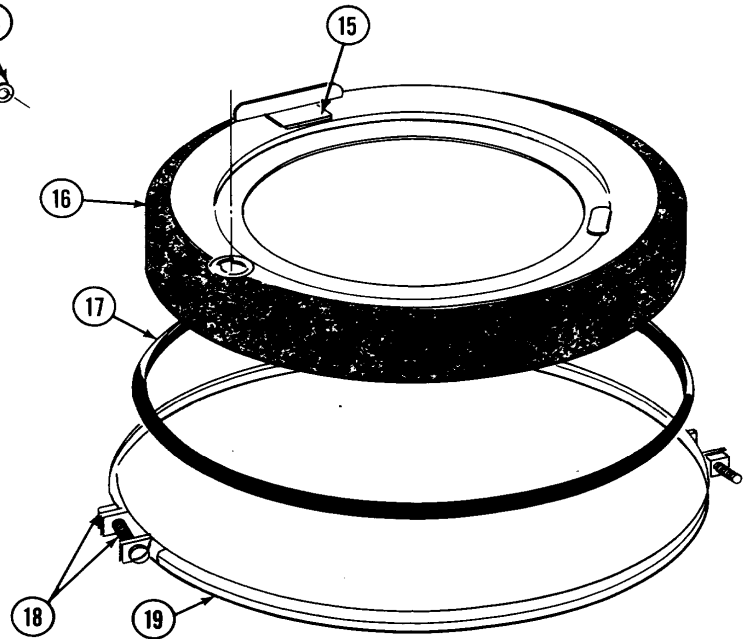
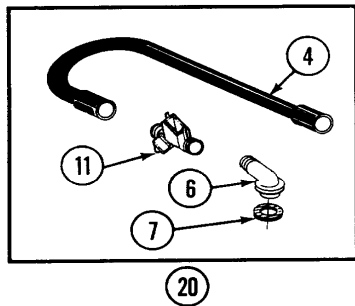
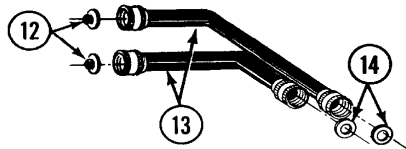
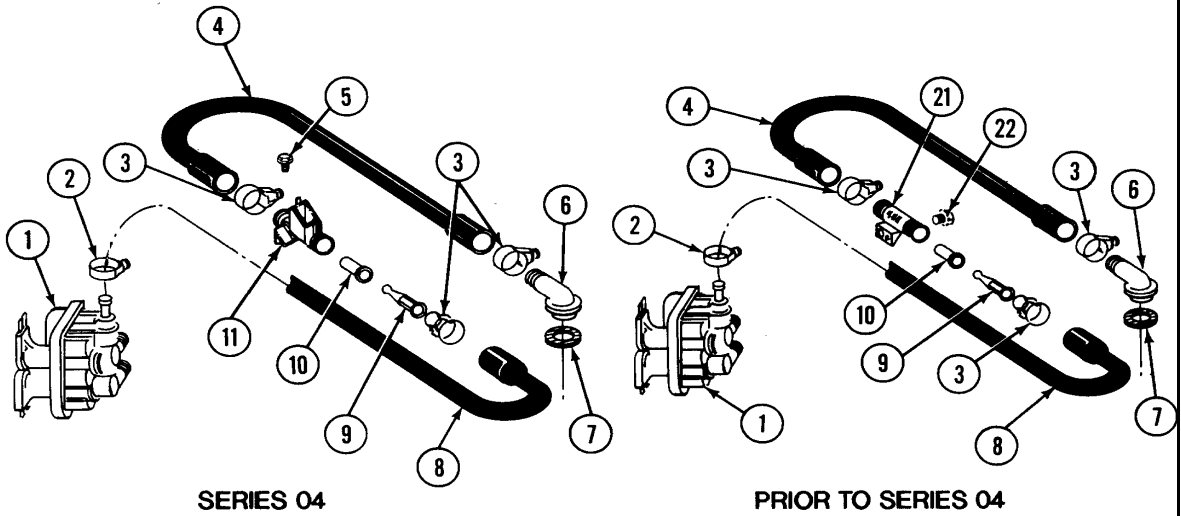
Section: TUB-WATER INLET & TUB COVER

Model: GA183

Section: TUB-WATER INLET & TUB COVER

P/N 160002

Models: ALL MODELS



11/91

18

MA67D5



## Section: TUB-WATER INLET & TUB COVER

| No. | Part No. | Description  | Series | Qty |
|-----|----------|--|--------|-----|
| 1   | 205613   | WATER VALVE Note: VALVE, WATER                             | 00     | 1   |
| 2   | 201575   | HOSE CLAMP Note: CLAMP, HOSE                               | 00     | 1   |
| 3   | 202515   | HOSE CLAMP - 1-1/16 INCH Note: CLAMP, HOSE (1-1/16 INCH)   | 00     | 3   |
| 4   | 215234   | INJECTOR FILL HOSE Note: HOUSE, INJECTOR FILL              | 00     | 1   |
| 5   | 312620   | SEMS SCREW, #10-16 X 1/2"                                  | 00     | 1   |
| 6   | 215235   | INJECTOR TUBE Note: TUBE, INJECTOR                         | 00     | 1   |
| 7   | 215233   | SEAL FOR INJECTOR TUBE Note: SEAL, INJECTOR TUBE           | 00     | 1   |
| 8   | 213013   | HOSE, INJECTOR Note: HOSE, INJECTOR                        | 00     | 1   |
| 9   | 213015   | INJECTOR NOZZLE Note: NOZZLE, INJECTOR                     | 00     | 1   |
| 10  | 213016   | VALVE FOR INJECTOR SUB Note: VALVE, INJECTOR               | 00     | 1   |
| 11  | 215447   | SLEEVE FOR INJECTOR Note: SLEEVE, INJECTOR                 | 04     | 1   |
| 12  | 200961   | SCREEN WASHER, INLET HOSE                                  | 00     | 2   |
| 13  | 202860   | INLET HOSE ASSY. Note: INLET HOSE ASSEMBLY                 | 00     | 2   |
| 14  | Y013783  | GASKET, INLET HOSE Note: WASHER, INLET HOSE                | 00     | 2   |
| 15  | 215232   | UNBALANCE BUMPER Note: BUMPER, UNBALANCE                   | 00     | 1   |
| 16  | 206380   | TUB COVER Note: COVER, TUB                                 | 00     | 1   |
| 17  | 211232   | SEAL   | 00     | 1   |
| 18  | 205529   | NUT & BOLT KIT FOR TUB CLAM Note: NUT & BOLT KIT, TUB CLAM | 00     | 2   |
| 19  | 200846   | CLAMP - TUB COVER Note: CLAMP, TUB COVER                   | 00     | 2   |
| 20  | 206683   | INJECTOR HOSE KIT  | 00     | 1   |
| 21  | 213057   | SLEEVE FOR INJECTOR Note: SLEEVE, INJECTOR                 | 00     | 1   |
| 22  | 310632   | SCREW  | 00     | 1   |

\*Color Code (-)=Not Shown #=Series, Serial Prefix or Run No., N=Not Available

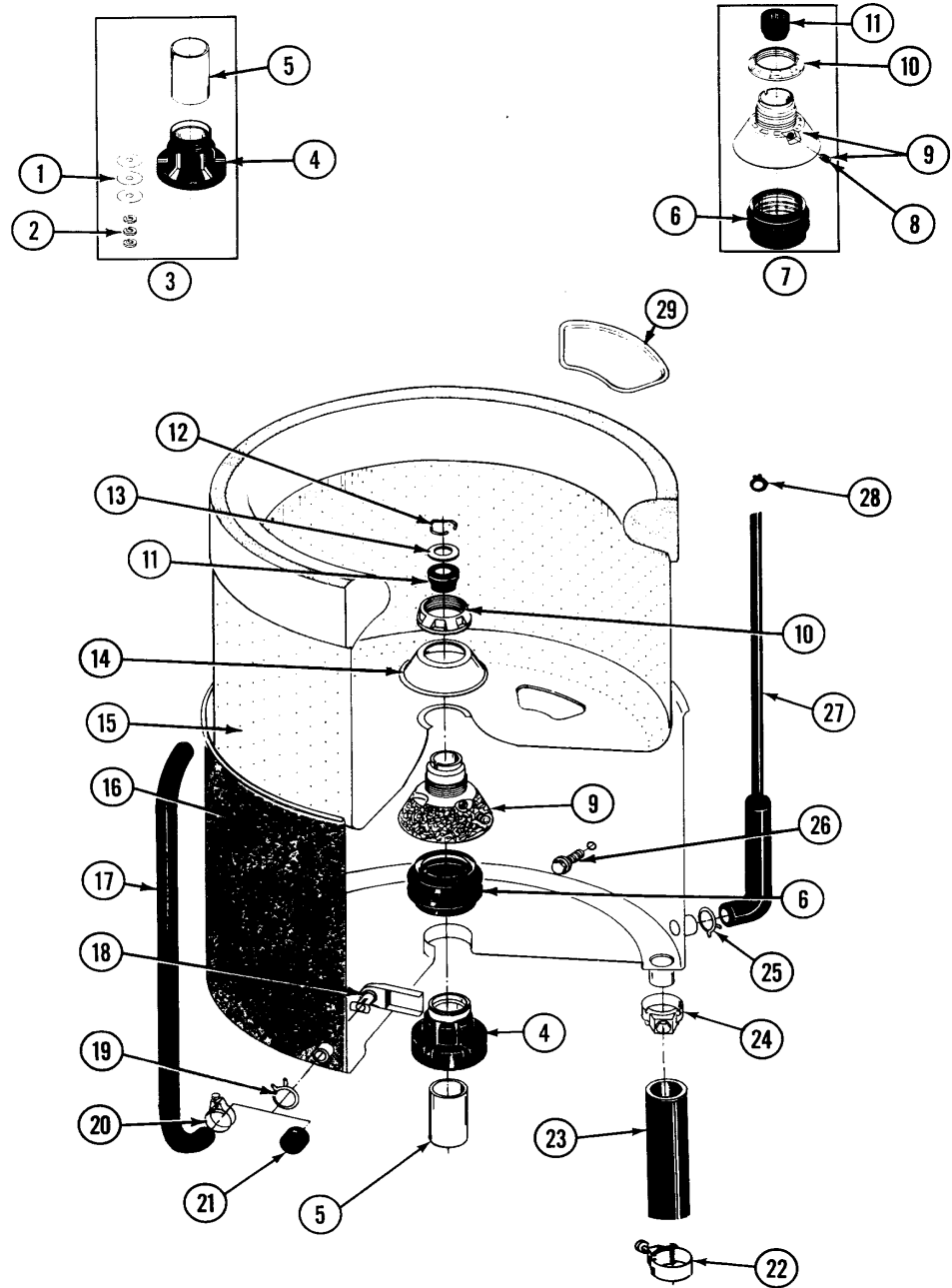
Section: TUB-INNER & OUTER

Model: GA183

Section: TUB-INNER & OUTER

P/N 160002

Models: ALL MODELS



11/91

20

MA67D7

## Section: TUB-INNER & OUTER

| No. | Part No. | Description  | Series | Qty |
|-----|----------|--|--------|-----|
| 1   | 211100   | WASHER, CUSHION  | 00     | 3   |
| 2   | Y054867  | WASHER, LOCK   | 00     | 3   |
| 3   | 204013   | TUB BEARING REPAIR KIT   | 00     | 1   |
| 4   | 200824   | BEARING, TUB   | 00     | 1   |
| 5   | 211130   | LINER, TUB BEARING   | 00     | 1   |
| 6   | 201537   | SEAL AND SPRING Note: SEAL & SPRING                              | 00     | 1   |
| 7   | 204012   | MOUNTING STEM REPAIR KIT   | 00     | 1   |
| 8   | 211618   | SET SCREW, MTG. STEM   | 00     | 1   |
| 9   | 202521   | MOUNTING STEM Note: STEM, MOUNTING                               | 00     | 1   |
| 10  | 211047   | NUT, CLAMPING (INNER TUB)  | 00     | 1   |
| 11  | Y0A4298  | SEAL, AGITATOR DRIVE SHAFT                                       | 00     | 1   |
| 12  | Y015667  | RETAINING RING   | 00     | 1   |
| 13  | 015666   | WASHER,RETAINING(CENTER SEAL)- Note: WASHER, RETAINING (CNTR SL) | 00     | 1   |
| 14  | 211210   | WASHER,CLAMPING NUT(STAINLESS) Note: WASHER, CLAMPING NUT        | 00     | 1   |
| 15  | N 201523 | INNER TUB Note: TUB, INNER                                       | 00     | 1   |
| 16  | 205486   | TUB, OUTER   | 00     | 1   |
| 17  | 214495   | TUBE, INLET TO TUB Note: TUBE, BLEACH INLET                      | 00     | 1   |
| 18  | 214434   | SPOUT, DEFLECTOR   | 00     | 1   |
| 19  | 214739   | SPRING HOSE CLAMP Note: CLAMP, SPRING HOSE                       | 00     | 1   |
| 20  | 205161   | CLAMP - 15/16" Note: CLAMP, BLEACH HOSE                          | 00     | 1   |
| 21  | 214725   | CAP FOR SPOUT-OUTER TUB Note: CAP, SPOUT (OUTER TUB)             | 00     | 1   |
| 22  | 200461   | HOSE CLAMP - 1-5/8 INCH Note: HOSE CLAMP (1-5/8 INCH)            | 00     | 1   |
| 23  | Y212989  | HOSE, OUTER TUB TO PUMP Note: HOSE, OUTER TUB                    | 00     | 1   |
| 24  | 200900   | CLAMP, SPRAY ARM HOSE  | 00     | 1   |
| 25  | 211641   | CLAMP, 1-1/16" Note: CLAMP (1-1/16")                             | 00     | 1   |
| 26  | 205254   | BOLT & GASKET ASSEMBLY (LONG)                                    | 00     | 2   |
| 26  | 200744   | BOLT & GASKET ASSY.(SHORT) Note: BOLT & GASKET ASSY. (SHORT)     | 00     | 1   |
| 27  | 212942   | AIR DOME AND TUBE Note: AIR DOME & TUBE                          | 00     | 1   |
| 28  | 410296   | CLAMP,WATER LEVEL SWTCH TUBE Note: CLAMP, WATER LVL SWITCH TUBE  | 00     | 1   |

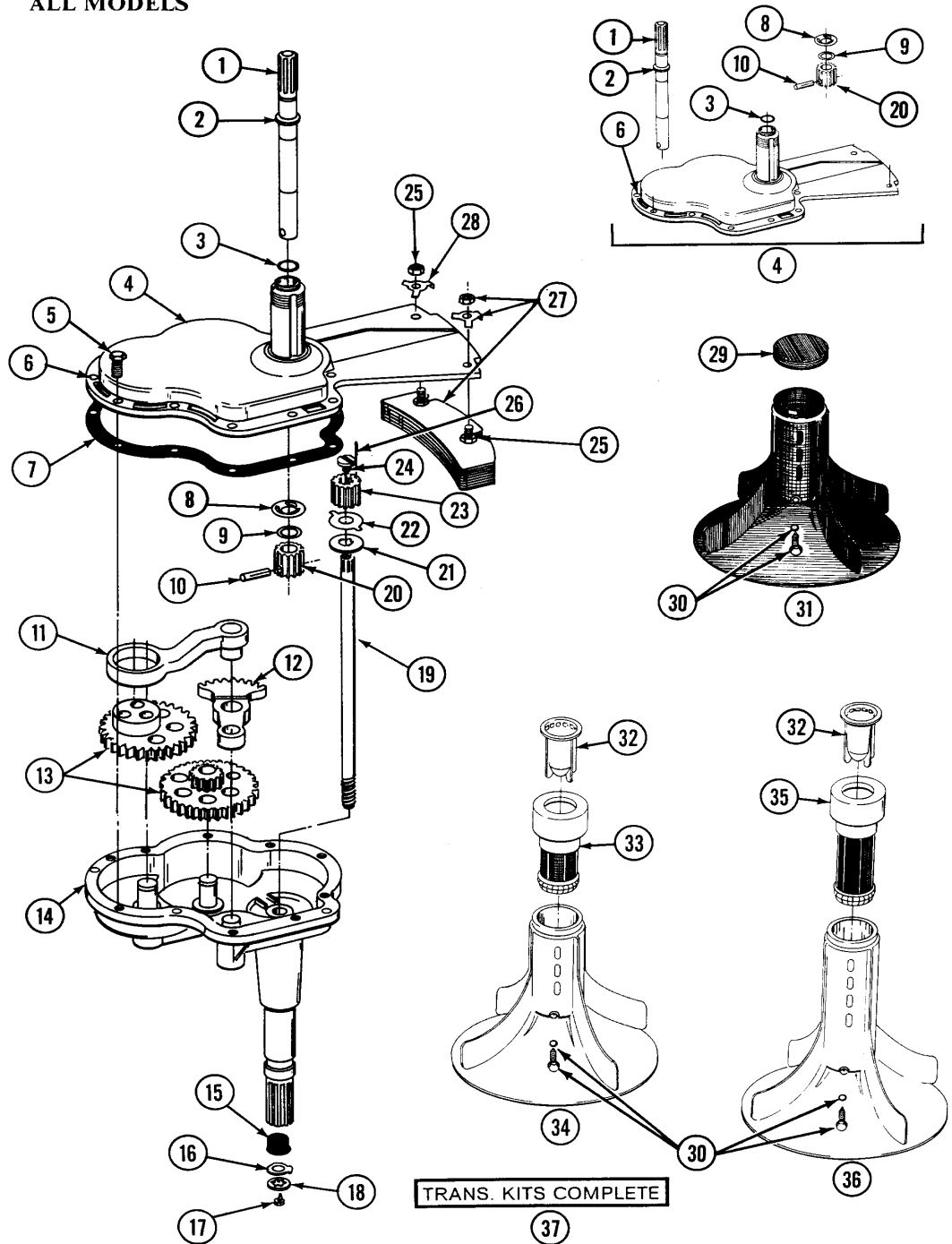
\*Color Code (-)=Not Shown #=Series, Serial Prefix or Run No., N=Not Available

Section: TRANSMISSION-HELICAL DRIVE

Model: GA183

Section: TRANSMISSION-HELICAL DRIVE  
Models: ALL MODELS

P/N 1600021



11/91

## Section: TRANSMISSION-HELICAL DRIVE

| No. | Part No. | Description  | Series | Qty |
|-----|----------|--|--------|-----|
| 1   | 200730   | AGITATOR SHAFT Note: SHAFT, AGITATOR                           | 00     | 1   |
| 2   | 014839   | COLLAR-DRIVE SHAFT Note: SHAFT, COLLAR-DRIVE                   | 00     | 1   |
| 3   | 210690   | SEAL, RUBBER   | 00     | 1   |
| 4   | N 200813 | GEAR CASE COVER ASSEMBLY                                       | 00     | 1   |
| 5   | Y015629  | BOLT, GRINDING CHAMBER-DRAI Note: BOLT, GRINDING CHAMBER       | 00     | 10  |
| 6   | N 015639 | DOWEL PIN Note: PIN, DOWEL                                     | 00     | 2   |
| 7   | 210632   | GASKET   | 00     | 1   |
| 8   | Y015902  | SPRING FOR AGITATOR Note: SPRING, AGITATOR                     | 00     | 1   |
| 9   | Y014827  | WASHER-CENTER SHAFT Note: WASHER, CENTER SHAFT                 | 00     | 1   |
| 10  | 210183   | GROOV-PIN, 1/4 X 1-1/4   | 00     | 1   |
| 11  | N 201463 | PITMAN WITH WRIST PIN Note: PITMAN W/WRIST PIN                 | 00     | 1   |
| 12  | N 210670 | SEGMENT  | 00     | 1   |
| 13  | 204967   | GEAR KIT-POWER FIN AGITATOR                                    | 00     | 1   |
| 14  | N 203162 | GEAR HOUSING W/STUDS & TUBE                                    | 00     | 1   |
| 15  | 206602   | SEAL, LIP (CENTER SHAFT)                                       | 00     | 1   |
| 16  | 211089   | LUG, STOP  | 00     | 1   |
| 17  | 211375   | SCREW,STOP LUG(CENTER SHAFT) Note: SCREW,STOP LUG (CNTR SHAFT) | 00     | 1   |
| 18  | 211090   | WASHER, LOCK   | 00     | 1   |
| 19  | 212988   | CENTER SHAFT Note: SHAFT, CENTER                               | 00     | 1   |
| 20  | 210054   | PINION   | 00     | 1   |
| 21  | 211483   | WASHER, SPLINED  | 00     | 1   |
| 22  | 211484   | LUG WASHER Note: WASHER, LUG                                   | 00     | 1   |
| 23  | 210315   | PINION   | 00     | 1   |
| 24  | 211486   | SCREW, 3/8-16 X 1/2 INCH                                       | 00     | 1   |
| 25  | Y052740  | NUT  | 00     | 4   |
| 26  | N 211487 | GROOV-PIN  | 00     | 1   |
| 27  | N 205811 | COUNTERWEIGHT  | 00     | 1   |
| 28  | N 210172 | LOCK WASHER Note: WASHER, LOCK                                 | 00     | 2   |
| 30  | 206478   | SCREW & WASHER FOR AGITATOR Note: SCREW & WASHER, AGITATOR     | 00     | 1   |
| 31  | 201379   | AGITATOR - BLACK Note: PART NOT USED                           | 00     | 1   |
| 32  | 212815   | DISPENSER CUP Note: CUPK DISPENSER                             | 00     | 1   |
| 33  | 203320   | LINT FILTER - DISPENSER Note: FILTER, LINT                     | 00     | 1   |
| 34  | 205054   | AGITATOR Note: AGITATOR, TURQUOISE                             | 00     | 1   |
| 37  | 203383   | TRANS & CENTER ASSM. REG TU                                    | 00     | 1   |

\*Color Code (-)=Not Shown #=Series, Serial Prefix or Run No., N=Not Available

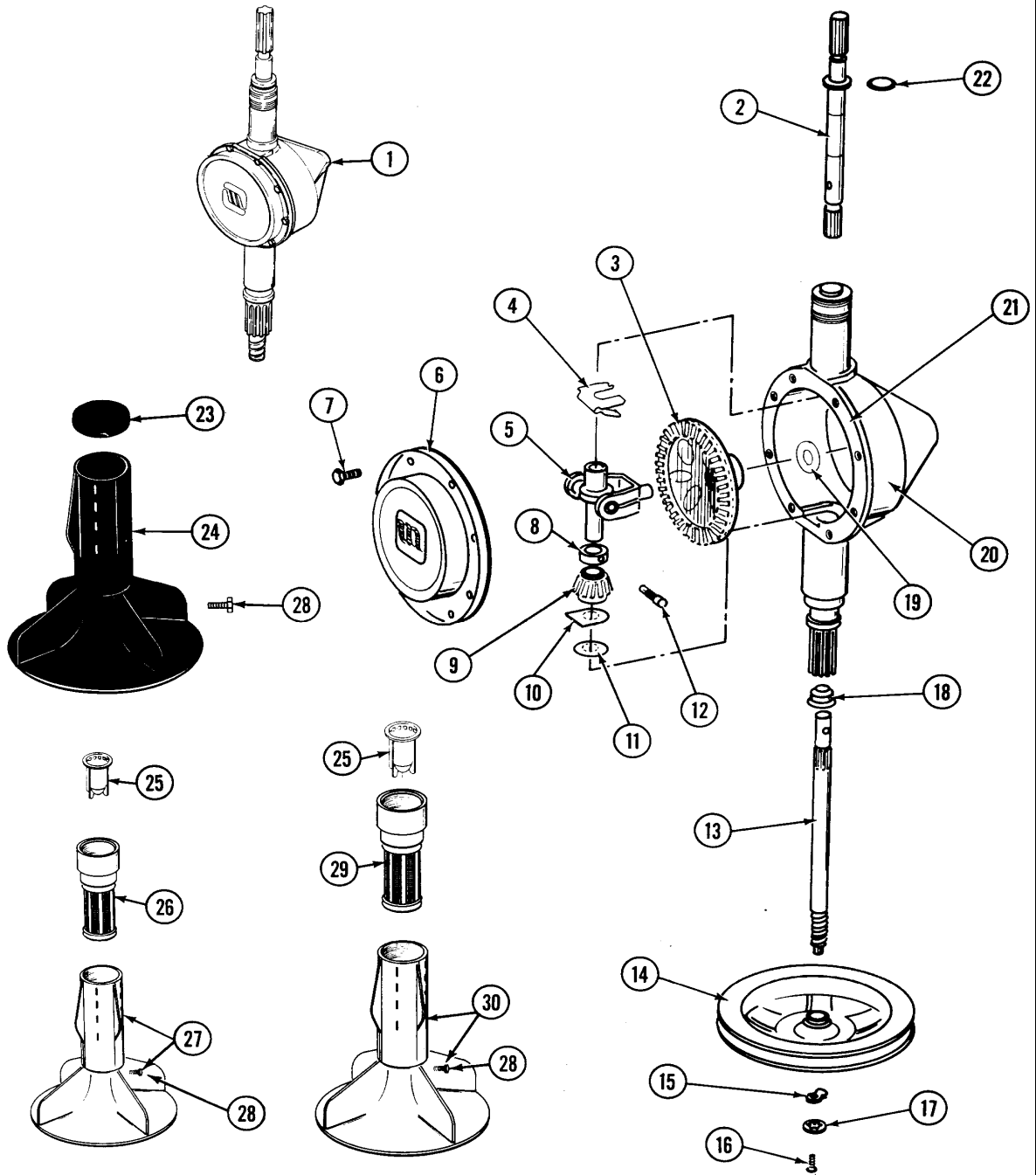
Section: TRANSMISSION-ORBITAL

Model: GA183

Section: TRANSMISSION-ORBITAL

P/N 1600021

Models: ALL MODELS



11/91

24

MA67D11

## Section: TRANSMISSION-ORBITAL

| No.  | Part No. | Description  | Series | Qty |
|------|----------|--|--------|-----|
| 1    | 206708   | TRANSMISSION   | 10     | 1   |
| 2    | 207153   | SHAFT, AGITATOR (W/SPRING)                                     | 10     | 1   |
| 3    | 206713   | GEAR, BEVEL  | 10     | 1   |
| 4    | 215581   | SPRING, AGITATOR SHAFT   | 10     | 1   |
| 5    | 206685   | BLOCK, TORQUE AND YOKE ASSEMBL                                 | 10     | 1   |
| 6    | 206628   | COVER, TRANSMISSION  | 10     | 1   |
| 7    | 215417   | SCREW, TRANSMISSION COVER                                      | 10     | 8   |
| 8    | 215415   | COLLAR, LOWER  | 10     | 1   |
| 9    | 215401   | PINION   | 10     | 1   |
| 10   | 215395   | PLATE, CLUTCH  | 10     | 1   |
| 11   | 211483   | WASHER, SPLINED  | 10     | 1   |
| 12   | 206629   | PIN, COLLAR  | 10     | 1   |
| 13 N | 215411   | SHAFT, CENTER  | 10     | 1   |
| 14   | 211059   | PULLEY, DRIVE  | 10     | 1   |
| 15   | 211089   | LUG, STOP  | 10     | 1   |
| 16   | 211375   | SCREW,STOP LUG(CENTER SHAFT) Note: SCREW,STOP LUG (CNTR SHAFT) | 10     | 1   |
| 17   | 211090   | WASHER, LOCK   | 10     | 1   |
| 18   | 206602   | SEAL, LIP (CENTER SHAFT) Note: SEAL, LIP (CENTER SHAFT)        | 10     | 1   |
| 19   | 215394   | WASHER, BEVEL GEAR   | 10     | 1   |
| 20   | 206625   | HOUSING, TRANSMISSION  | 10     | 1   |
| 21   | Y058700  | SILASTIC,ADH.SEALANT Note: SILASTIC, ADH.SEALANT               | 10     | 1   |
| 22   | 210690   | SEAL, RUBBER   | 10     | 1   |
| 25   | 215733   | DISPENSING CUP Note: CUP, DISPENSING                           | 10     | 1   |
| 26   | Y207427  | LINT FILTER SHALLOW Note: FILTER, LINT (SHALLOW)               | 10     | 1   |
| 27   | 207538   | AGITATOR W/LOCK SCREW  | 10     | 1   |
| 28   | 206478   | SCREW & WASHER FOR AGITATOR Note: SCREW & WASHER, AGITATOR     | 10     | 1   |

\*Color Code (-)=Not Shown #=Series, Serial Prefix or Run No., N=Not Available

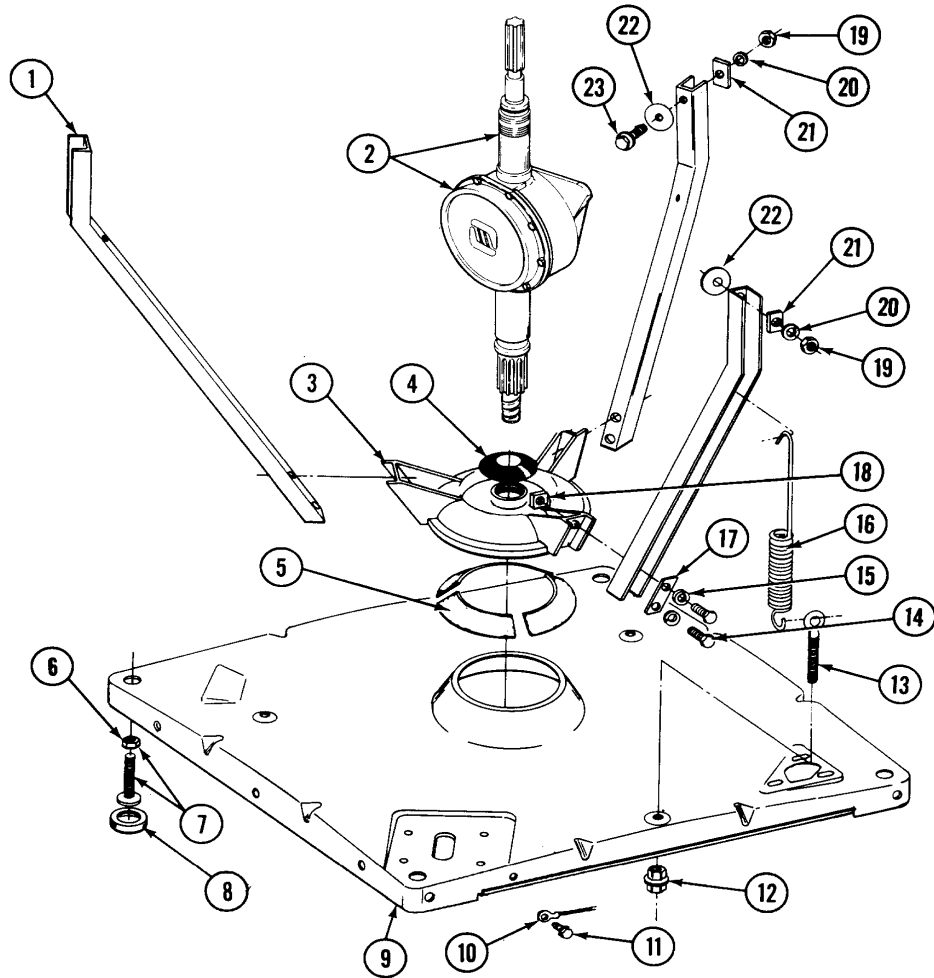
Section: BASE

Model: GA183

Section: BASE

P/N 160002

Models: ALL MODELS



11/91

26

MA67D13



## Section: BASE

| No. | Part No. | Description  | Series | Qty |
|-----|----------|--|--------|-----|
| 1   | 213100   | BRACE, TUB   | 00     | 3   |
| 2   | 206708   | TRANSMISSION   | 00     | 1   |
| 3   | 203725   | DAMPER W/BOLT & CLIP   | 00     | 1   |
| 4   | 211028   | DEFLECTOR,WATER (DRIVE TUBE) Note: DEFLECTOR, WATER (DRIVE TUBE) | 00     | 1   |
| 5   | 203956   | DAMPER PAD KIT (W/POLY LUBE)                                     | 00     | 1   |
| 6   | 210385   | NUT, LOCK  | 00     | 4   |
| 7   | 302699   | LEG, ADJUSTABLE (W/NUT)  | 00     | 4   |
| 8   | 210684   | FOOT, RUBBER   | 00     | 4   |
| 9   | 203274   | BASE WITH DAMPER PADS Note: BASE W/DAMPER PADS                   | 00     | 1   |
| 10  | 204807   | GRND.WIRE,SUPP.PLTE TO TOP CVR Note: GROUND WIRE, SUPP. PLATE    | 00     | 1   |
| 11  | 210186   | SCREW, GROUND WIRE TO BASE--NA Note: SCREW, GROUND WIRE          | 00     | 1   |
| 12  | 211949   | NUT, EYEBOLT   | 00     | 3   |
| 13  | 213120   | EYE BOLT FOR CENTER SPRING Note: EYE BOLT, CENTER SPRING         | 00     | 3   |
| 14  | Y015627  | SCREW, HEX HD CAP 5/16 X 5/8                                     | 00     | 6   |
| 15  | 911852   | WASHER, LOCK (BRACE)   | 00     | 6   |
| 16  | 213054   | CENTERING SPRING - 3 USED Note: SPRING, CENTERING                | 00     | 3   |
| 17  | 213073   | WASHER, DOUBLE Note: WASHER, DOUBLE (BRACE)                      | 00     | 3   |
| 18  | Y052785  | NUT,BRACE TO DAMPER Note: NUT, BRACE (DAMPER)                    | 00     | 6   |
| 19  | Y052734  | NUT Note: NUT, BRACE   | 00     | 3   |
| 20  | Y054867  | WASHER, LOCK   | 00     | 3   |
| 21  | 212979   | WASHER, TUB BRACE  | 00     | 3   |
| 22  | 211100   | WASHER, CUSHION  | 00     | 3   |
| 23  | 200744   | BOLT & GASKET ASSY.(SHORT)                                       | 00     | 1   |
| 23  | 205254   | BOLT & GASKET ASSEMBLY (LONG)                                    | 00     | 2   |

\*Color Code (-)=Not Shown #=Series, Serial Prefix or Run No., N=Not Available

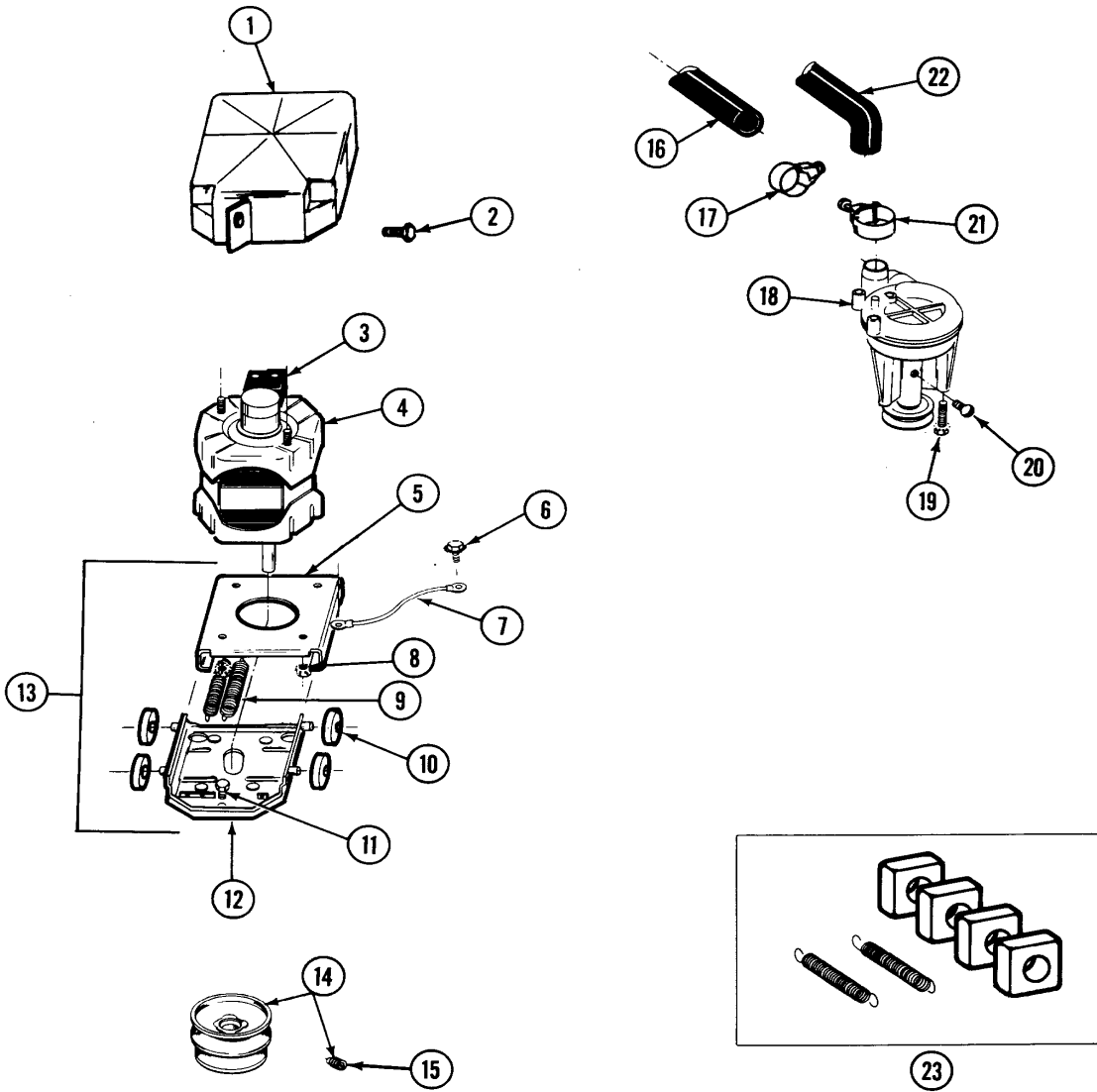
Section: MOTOR & PUMP ASSEMBLY

Model: GA183

Section: MOTOR & PUMP ASSEMBLY

P/N 1600021

Models: ALL MODELS



11/91

## Section: MOTOR & PUMP ASSEMBLY

| No. | Part No. | Description   | Series | Qty |
|-----|----------|---|--------|-----|
| 1   | 215098   | SHIELD, MOTOR   | 00     | 1   |
| 2   | 213121   | SCREW   | 00     | 1   |
| 3   | 205132   | SWITCH, MOTOR START Note: (PROD.#2-1664-4, #2-1664-9, #2-1664-10, #2-1664-12 & #2-5463-2) | 00     | 1   |
| 3   | 206505   | SWITCH, MOTOR START Note: (PROD. #2-1664-11, #2-1664-13 & #2-5463-1)                      | 00     | 1   |
| 3   | N 205133 | MOTOR EXTERNAL START SWITCH Note: SWITCH, MOTOR START (PROD.#2-1664-8 & #2-5463)          | 00     | 1   |
| 4   | 201805   | MOTOR (ONE SPEED)   | 00     | 1   |
| 5   | 214956   | MOUNT, MOTOR/UPPER  | 00     | 1   |
| 6   | 210186   | SCREW, GROUND WIRE TO BASE--NA Note: SCREW, GROUND WIRE                                   | 00     | 1   |
| 7   | 901220   | WIRE, GROUND  | 00     | 1   |
| 8   | 311426   | NUT, WASHERED LOCK Note: KEPS NUT, MOTOR BASE   | 00     | 4   |
| 9   | 202718   | TENSION SPRINGS Note: SPRINGS, TENSION  | 00     | 1   |
| 10  | 204998   | GLIDE KIT (4 W/POLY LUBE)   | 00     | 1   |
| 11  | N 313561 | SCREW---NA  | 00     | 3   |
| 12  | 205908   | LOWER MOTOR MOUNT Note: MOUNT, LOWER MOTOR  | 00     | 1   |
| 13  | 205999   | MOTOR MOUNT ASSM COMPLETE Note: MOTOR MOUNT ASSEMBLY                                      | 00     | 1   |
| 14  | 200816   | PULLEY, MOTOR (W/SET SCREW)   | 00     | 1   |
| 15  | Y053241  | SET SCREW, PULLEY   | 00     | 1   |
| 16  | 214767   | HOSE,PUMP TO SIPHON BREAK Note: HOSE, PUMP  | 00     | 1   |
| 17  | 200461   | HOSE CLAMP - 1-5/8 INCH Note: CLAMP, HOSE (1-5/8 INCH)                                    | 00     | 1   |
| 18  | 202203   | PUMP AS PAK   | 00     | 1   |
| 19  | 211880   | SCREW, HEX HD #10 X 1/2 INC   | 00     | 3   |
| 20  | Y015408  | SCREW, BEARING INSERT   | 00     | 1   |
| 21  | 202574   | CLAMP, HOSE Note: CLAMP, HOSE   | 00     | 1   |
| 22  | Y212989  | HOSE, OUTER TUB TO PUMP Note: HOSE, OUTER TUB   | 00     | 1   |
| 23  | 205000   | GLIDE & SPRING KIT  | 00     | 1   |

\*Color Code (-)=Not Shown #=Series, Serial Prefix or Run No., N=Not Available

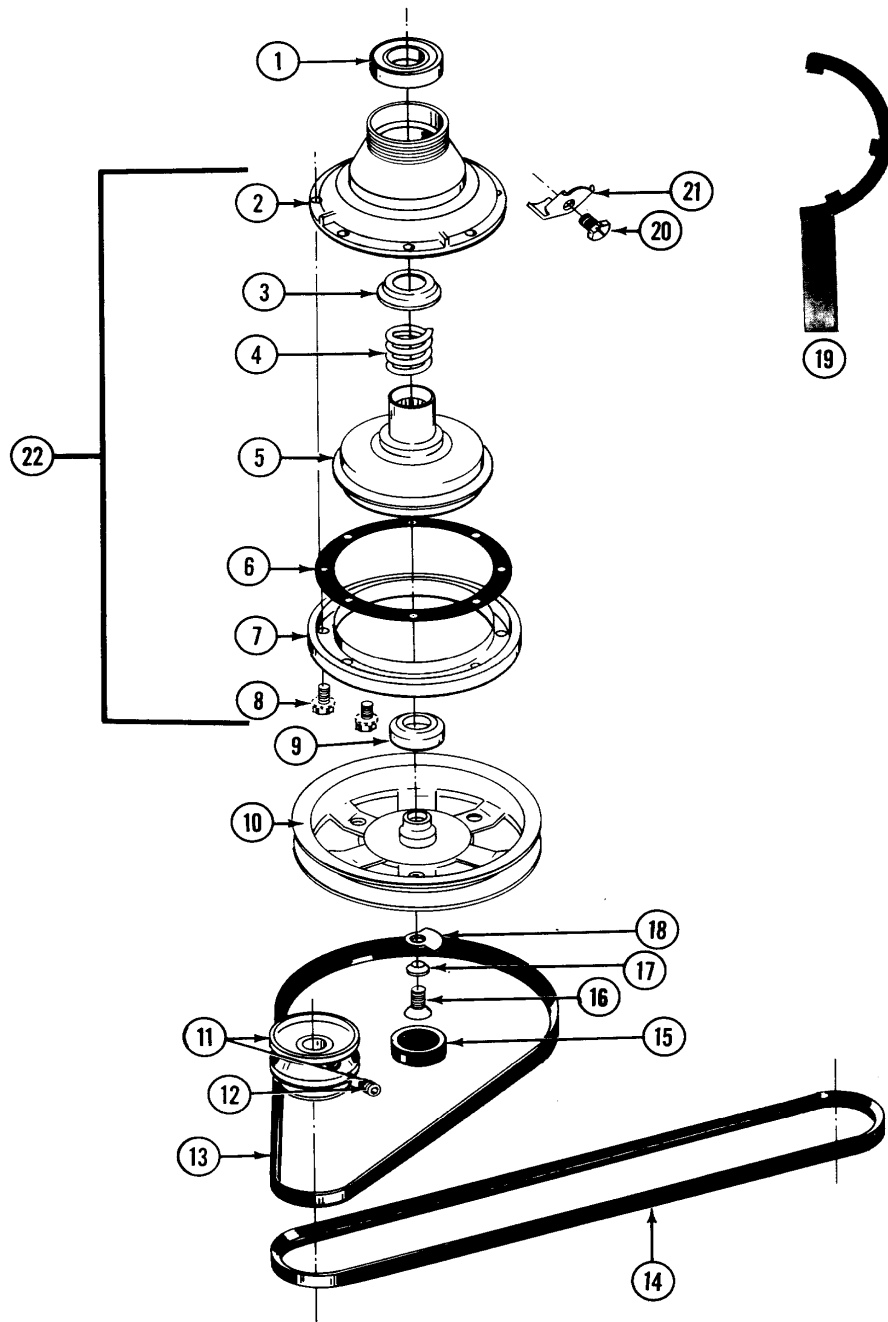
Section: CLUTCH, BRAKE & BELTS

Model: GA183

Section: CLUTCH, BRAKE & BELTS

P/N 1600021

Models: ALL MODELS



11/91

30

MA67E3

## Section: CLUTCH, BRAKE & BELTS

| No.  | Part No. | Description  | Series | Qty |
|------|----------|--|--------|-----|
| 1    | 200720   | BALL BEARING, RADIAL   | 00     | 1   |
| 2    | 211045   | HOUSING, BRAKE   | 00     | 1   |
| 3    | 211039   | RETAINER, BRAKE SPRING   | 00     | 1   |
| 4    | 211041   | SPRING, BRAKE  | 00     | 1   |
| 5    | 201126   | ROTOR, BRAKE (W/FACING)  | 00     | 1   |
| 6    | 211042   | GASKET, BRAKE DRUM   | 00     | 1   |
| 7    | 211043   | DRUM, BRAKE  | 00     | 1   |
| 8    | 211000   | SCREW,HEX HEAD (BRAKE DRUM) Note: SCREW, HEX HEAD (BRAKE DRUM) | 00     | 8   |
| 9    | 200835   | BEARING, BRAKE ROTOR   | 00     | 1   |
| 10   | 211059   | PULLEY, DRIVE  | 00     | 1   |
| 11   | 200816   | PULLEY, MOTOR (W/SET SCREW)                                    | 00     | 1   |
| 12   | Y053241  | SET SCREW, PULLEY  | 00     | 1   |
| 13   | 211125   | V BELT,DRIVE PULLEY Note: V BELT, DRIVE PULLEY                 | 00     | 1   |
| 14   | 211124   | V BELT, PUMP   | 00     | 1   |
| 15 N | 211038   | CAP, OIL RETAINER  | 00     | 1   |
| 16   | 211375   | SCREW,STOP LUG(CENTER SHAFT) Note: SCREW, STOP LUG (CNTR SHFT) | 00     | 1   |
| 17   | 211090   | WASHER, LOCK   | 00     | 1   |
| 18   | 211089   | LUG, STOP  | 00     | 1   |
| 19   | Y038315  | TOOL, BRAKE PKG ASSY   | 00     | 1   |
| 20   | 213326   | SCREW, RETAINING CLIP Note: BOLT, RETAINING CLIP               | 00     | 1   |
| 21   | 213325   | CLIP, RETAINER   | 00     | 1   |
| 22   | 201190   | BRAKE ASSEMBLY   | 00     | 1   |

\*Color Code (-)=Not Shown #=Series, Serial Prefix or Run No., N=Not Available