

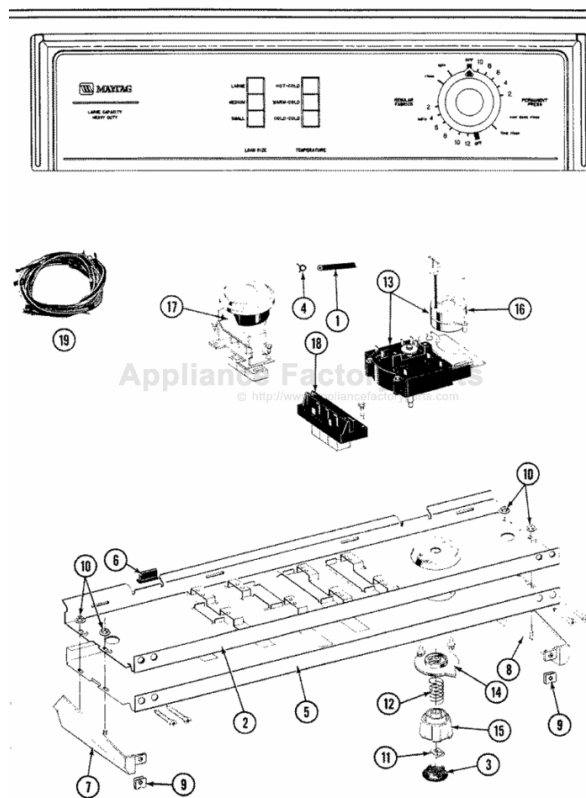
This Owner's Manual is provided and hosted by [Appliance Factory Parts](http://ApplianceFactoryParts.com).



MAYTAG GA1910 Owner's Manual

[Shop genuine replacement parts for MAYTAG GA1910](#)

CONTROL PANEL



[Find Your MAYTAG Washer Parts - Select From 1759 Models](#)

----- Manual continues below part list -----

Available Replacement Parts for MAYTAG GA1910

| | |
|-----------------------------|-------------------------------|
| WP207166 | SWITCH CHECK AFTERMARKET |
| 214765 | GASKET AFTERMARKET |
| 211100 | NLA 08/18 AUTO FIBERWASHR |
| 211047 | USE WP6-2110472 NUT- CLAMP AW |
| 210684 | USE WP210684 PAD DR |
| 203956 | KIT-DAMPER DR |
| WP211232 | SEAL DR |
| 6-2095720 | MOUNTING S AW AFTERMARKET |
| WP211726 | BALL DR |
| WP6-2008160 | PULLEY-MOTOR **new** |
| 525 | FILL VALVE CW151 |

Repair Parts List

MODEL NUMBER

GA1910

WASHER

When requesting service or ordering parts, always provide the following information:

- Product Type
- Part Number
- Model Number
- Part Description

MAYTAG®

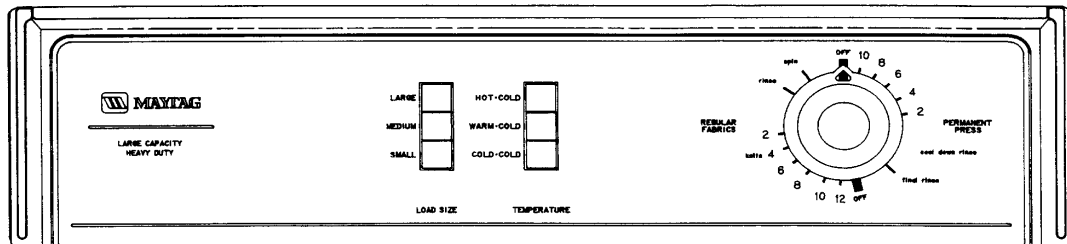
©2005 Maytag Services

Section: CONTROL PANEL

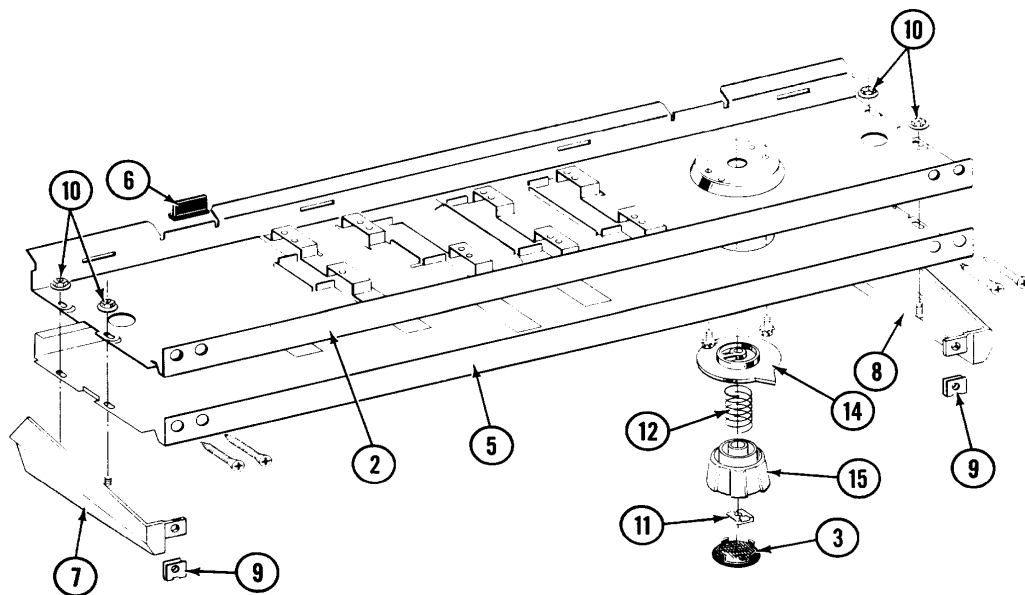
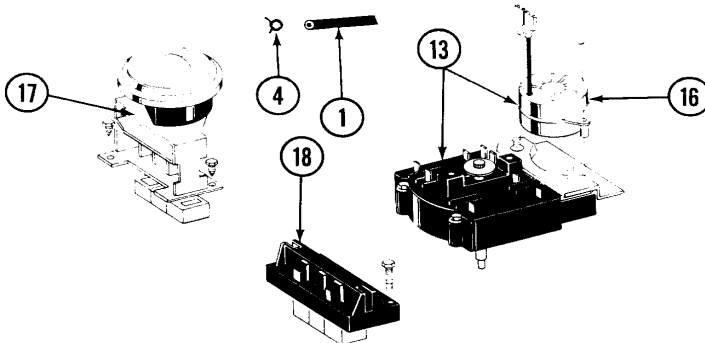
Model: GA1910

SECTION: CONTROL PANEL

MODEL: A1910



19



Issue Date: 6/90

Section: CONTROL PANEL

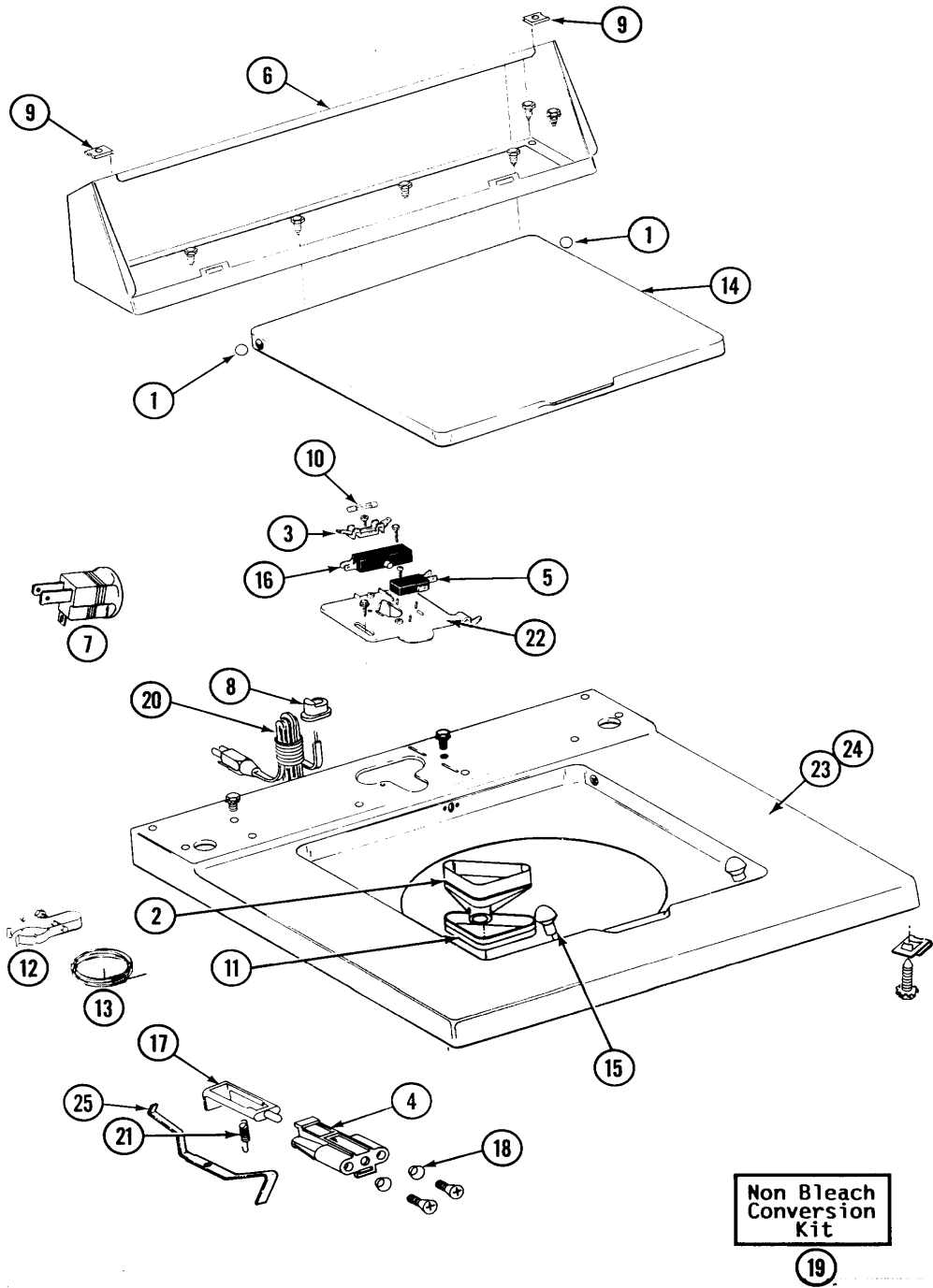
| No. | Part No. | Description | Series | Qty |
|-----|----------|--|--------|-----|
| 1 | 212942 | AIR DOME AND TUBE Note: AIR DOME & TUBE | 00 | 1 |
| - | 210932 | SCREW, #8 X 9/16 CTSK Note: SCREW, BACK UP PLATE (CHR) | 00 | 2 |
| 2 | 214818 | BACK UP PLATE Note: PLATE, BACK UP | 00 | 1 |
| 3 | 215821 | CAP, KNOB | 00 | 1 |
| 4 | 410296 | CLAMP,WATER LEVEL SWTCH TUBE Note: CLAMP, WATER LVL SWITCH TUBE | 00 | 1 |
| 5 N | 207408 | CONTROL PANEL Note: PANEL, CONTROL | 00 | 1 |
| - | 210932 | SCREW, #8 X 9/16 CTSK Note: SCREW, CONTROL PANEL (CHR) | 00 | 2 |
| 6 N | 214897 | PAD, CONTROL PANEL | 00 | 2 |
| 7 | 207215 | END CAP LH Note: CAP, END (LT) | 00 | 1 |
| 8 | 207216 | END CAP RH Note: CAP, END (RT) | 00 | 1 |
| 9 | 214894 | FASTENER, END CAP | 00 | 2 |
| 10 | 214872 | PALNUT, END CAP | 00 | 4 |
| 11 | 211605 | RETAINER, TIMER KNOB | 00 | 1 |
| 12 | 211065 | SPRING, TIMER KNOB | 00 | 1 |
| - | 213966 | SCREW-TIMER TO CONTROL PANE Note: SCREW, TIMER | 00 | 2 |
| 13 | 207379 | TIMER | 00 | 1 |
| 14 | 215827 | TIMER DIAL SKIRT Note: SKIRT, TIMER DIAL | 00 | 1 |
| 15 | 215828 | KNOB, TIMER (BLK) | 00 | 1 |
| 16 | 205033 | TIMER MOTOR 120-60 Note: MOTOR, TIMER (120-60) | 00 | 1 |
| - | 211168 | SCREW, #8 X 5/16 INCH Note: SCREW (#8 X 5/16") | 00 | 2 |
| 17 | 207363 | 3 LEVEL PRESSURE SWITCH Note: SWITCH, 3 LEVEL PRESSURE | 00 | 1 |
| 18 | 207368 | TEMP CONTROL SWITCH - 3 BUTTON Note: SWITCH, TEMP. CONTROL (3 BUT) | 00 | 1 |
| - | 213117 | SCREW-TEMP. SWITCH TO PANEL Note: SCREW, TEMPERATURE SWITCH | 00 | 2 |
| 19 | 207383 | WIRE HARNESS Note: HARNESS, WIRE | 00 | 1 |

*Color Code (-)=Not Shown #=Series, Serial Prefix or Run No., N=Not Available

Section: TOP COVER, CONSOLE & LID SWITCH

Model: GA1910

SECTION: TOP COVER, CONSOLE & LID SWITCH
MODEL: ALL MODELS



Issue Date: 6/90

28

MA80C1

Section: TOP COVER, CONSOLE & LID SWITCH

| No. | Part No. | Description | Series | Qty |
|------|----------|---|--------|-----|
| 1 | 211726 | HINGE, BALL | 00 | 2 |
| 2 | 215248 | BLEACH INLET Note: INLET, BLEACH (GRAY) | 00 | 1 |
| 3 | 207167 | BLOCK, FUSE | 00 | 1 |
| - | 215705 | SCREW | 00 | 1 |
| - N | 216256 | BRACKET, UNBALANCE | B8 | 1 |
| 4 | 214279 | BRACKET F/LID SWITCH PLUNGE Note: BRACKET, LID SWITCH PLUNGER | 00 | 1 |
| - | 910182 | SCREW | 00 | 2 |
| - | 912012 | SCREW | 00 | 1 |
| 5 | 207166 | SWITCH, CHECK | 00 | 1 |
| - | 313559 | SCREW | 00 | 1 |
| 6 N | 205635M | CONSOLE (HVST WHEAT) Note: (H. WHEAT) | 00 | 1 |
| - | 211294 | SCREW | 00 | 5 |
| 7 N | 201808 | CONVERTER | 00 | 1 |
| 8 | 211881 | GROMMET, CORD | 00 | 1 |
| 9 | 215075 | FASTENER,CNTRL PNL TO CONSOLE Note: FASTENER, CONTROL PANEL | 00 | 2 |
| 10 | 207168 | FUSE | 00 | 1 |
| 11 | 214436 | GASKET | 00 | 1 |
| 12 | 301548 | CLAMP, GROUND (W/SCREW) | 00 | 1 |
| 13 | 311155 | GROUND WIRE | 00 | 1 |
| 14 N | 212073M | LID-HARVEST WHEAT Note: (H. WHEAT) | 00 | 1 |
| 15 | 212716 | BUMPER, LID | 00 | 2 |
| 16 | 205415 | SWITCH, LID (W/O TUB LIGHT) | 00 | 1 |
| - | 213501 | SCREW, #6-20 X 1-1/8 INCH Note: SCREW (#6-20 X 1-1/8") | 00 | 1 |
| - N | 208591 | KIT, PLUNGER & BRACKET Note: PLUNGER & BRACKET KIT | B8 | 1 |
| 17 N | 215700 | LID SWITCH PLUNGER Note: PLUNGER, LID SWITCH | 00 | 1 |
| 18 | 211500 | WASHER,BRACKE TO TOP COVER Note: WASHER, BRACKET | 00 | 2 |
| 19 | 205997 | NON-BLEACH CONVERSION KIT Note: NON-BLEACH CONVERSION KIT | 00 | 1 |
| - | 210186 | SCREW, GROUND WIRE TO BASE--NA Note: SCREW, GROUND WIRE | 00 | 1 |
| 20 | 204590 | POWER CORD Note: CORD, POWER | 00 | 1 |
| 21 | 213720 | SPRING | 00 | 1 |
| - | 207159 | SCREW | 00 | 1 |
| 22 | 215699 | BRACKET,SWITCH & FUSE Note: BRACKET, SWITCH & FUSE | 00 | 1 |
| - | 204445 | SCREW & FASTENER ASY. Note: SCREW & FASTENER ASSEMBLY | 00 | 2 |
| - | 210186 | SCREW, GROUND WIRE TO BASE--NA Note: SCREW, GROUND WIRE | 00 | 1 |
| 23 N | 207170M | TOP COVER ASSY HVT WHEAT Note: (H. WHEAT) | 00 | 1 |
| 24 N | 207172M | TOP COVER ASSY HVT WHEAT Note: PART NOT USED | 00 | 1 |
| 25 | 215704 | UNBALANCE LEVER Note: LEVER, UNBALANCE | 00 | 1 |

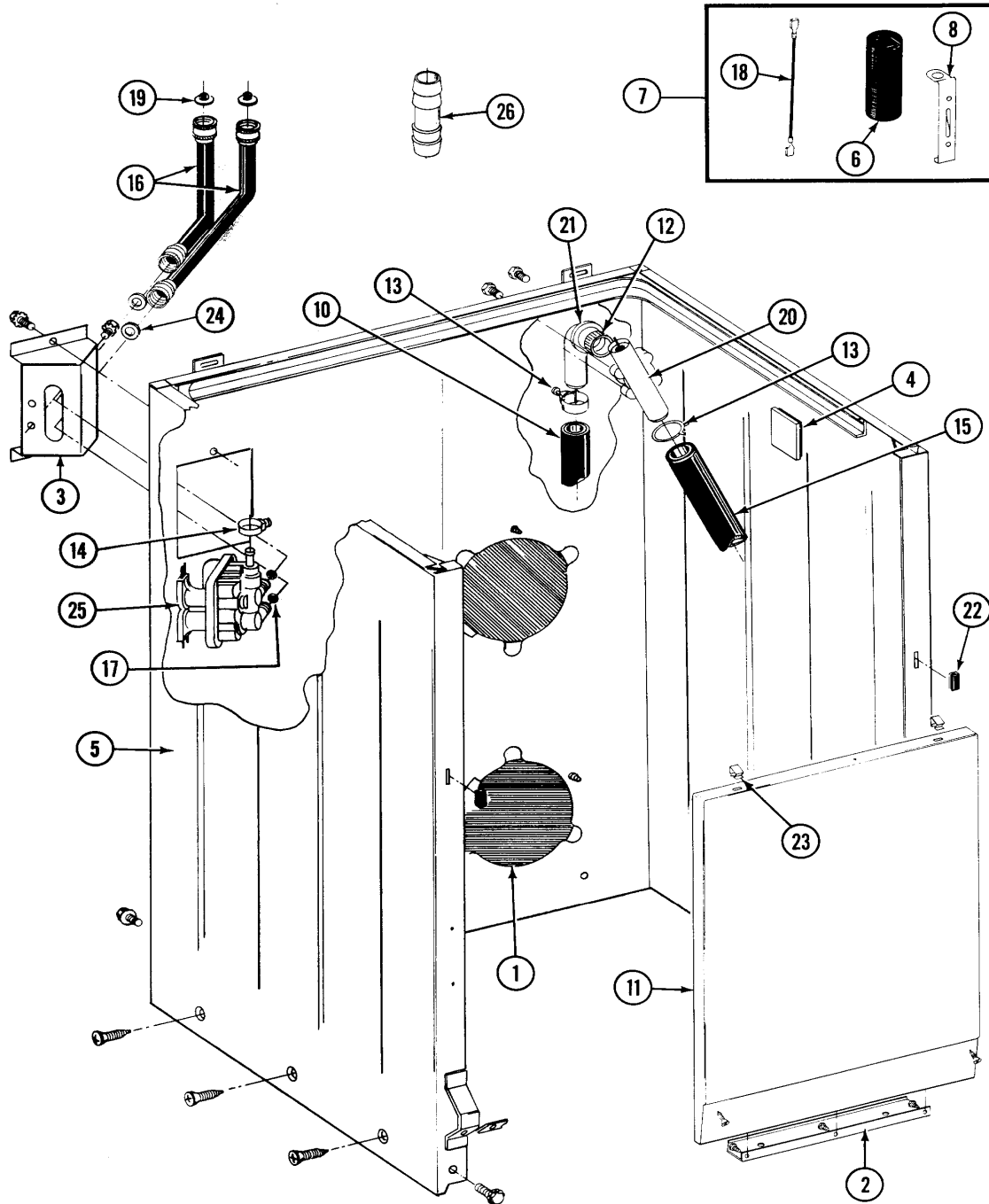
*Color Code (-)=Not Shown #=Series, Serial Prefix or Run No., N=Not Available

Section: CABINET, WATER VALVE, HOSES & FRNT PANEL

Model: GA1910

SECTION: CABINET, WATER VALVE, HOSES & FRONT PANEL

MODEL: ALL MODELS



Issue Date: 6/90

Section: CABINET, WATER VALVE, HOSES & FRNT P

| No. | Part No. | Description | Series | Qty |
|-----|-----------|---|--------|-----|
| - | 211294 | SCREW | 00 | 2 |
| 1 | N 211878 | PLATE, ACCESS | 00 | 2 |
| - | 211294 | SCREW | 00 | 3 |
| 2 | 213846 | GUARD, BELT | 00 | 1 |
| 3 | 214812 | BRACKET,WATER VALVE Note: BRACKET, WATER VALVE | 00 | 1 |
| - | 212276 | SCREW | 00 | 1 |
| 4 | 215058 | PAD, CABINET BUMPER | 00 | 2 |
| 5 | N 203319M | CABINET-HARVEST WHEAT Note: (H. WHEAT) | 00 | 1 |
| - | 213121 | SCREW | 00 | 3 |
| - | 204439 | SCREW & FSTNER ASSY(FRT.PANEL) Note: SCREW & FASTNER ASSEMBLY | 00 | 2 |
| - | 213007 | SCREW, CABINET | 00 | 6 |
| - | 213122 | SCREW,CBNT.TO FRNT OF BASE--NA Note: SCREW, CABINET | 00 | 2 |
| 6 | 200832 | CAPACITOR | 00 | 1 |
| 7 | 206103 | CAPACITOR KIT | 00 | 1 |
| 8 | 211149 | CLIP, CAPACITOR | 00 | 1 |
| 9 | 202861 | CARTON OF 25 HOSE, 5' Note: CARTON OF 25 HOSES (5 FT.) | 00 | 1 |
| 10 | 215279 | HOSE, DRAIN | 00 | 1 |
| - | N 059149 | (7/8" I.D. CARTON OF 50 FT.) | A2 | 1 |
| - | 216017 | HOSE, DRAIN (7/8" I.D.) | A2 | 1 |
| 11 | N 212998M | FRONT PANEL-HARVEST WHEAT Note: (H. WHEAT) | 00 | 1 |
| 12 | 214765 | GASKET, SIPHON BREAK | 00 | 1 |
| - | 200908 | HOSE CLAMP - 1-1/2 INCH Note: CLAMP, HOSE (1-1/2") | A2 | 1 |
| 13 | 200461 | HOSE CLAMP - 1-5/8 INCH Note: CLAMP, HOSE (1-5/8") | 00 | 1 |
| 14 | 201575 | HOSE CLAMP Note: CLAMP, HOSE | 00 | 1 |
| 15 | 214767 | HOSE,PUMP TO SIPHON BREAK Note: HOSE, PUMP | 00 | 1 |
| 16 | 200688 | INLET HOSE, HOT 6 FT. Note: HOSE, INLET (HOT 6 FT.) | 00 | 1 |
| 16 | 202860 | INLET HOSE ASSY. Note: INLET HOSE ASSEMBLY | 00 | 2 |
| 16 | 205828 | HOSE, INLET ASSY. Note: INLET HOSE ASSEMBLY | 00 | 1 |
| 16 | 200681 | INLET HOSE, HOT 10 FT. Note: HOSE, INLET (HOT 10 FT.) | 00 | 1 |
| 16 | 200672 | INLET HOSE ASSY. Note: INLET HOSE ASSEMBLY | 00 | 1 |
| 17 | 214337 | SCREEN, VALVE | 00 | 1 |
| 18 | 203237 | #17 WIRE WITH TERMINAL Note: #17 WIRE (W/TERMINAL) | 00 | 1 |
| 19 | 200961 | SCREEN WASHER, INLET HOSE | 00 | 1 |
| - | 014874 | SCREW | 00 | 4 |
| 20 | 206638 | SIPHON BREAK(W/CLAMP) Note: BREAK, SIPHON (W/CLAMP) | 00 | 1 |
| 21 | 214764 | SIPHON BREAK ELBOW Note: ELBOW, SIPHON BREAK | 00 | 1 |
| - | 216016 | ELBOW, SIPHON BREAK | A2 | 1 |
| 22 | 214376 | SPACER, FRONT PANEL | 00 | 2 |
| 23 | 212982 | FASTENER, PANEL | 00 | 2 |
| 24 | 013783 | GASKET, INLET HOSE Note: WASHER, INLET HOSE | 00 | 2 |
| 25 | 205613 | WATER VALVE Note: VALVE, WATER | 00 | 1 |
| - | 212276 | SCREW | 00 | 1 |
| 26 | 216015 | HOSE COUPLING Note: COUPLING, HOSE | 00 | 1 |

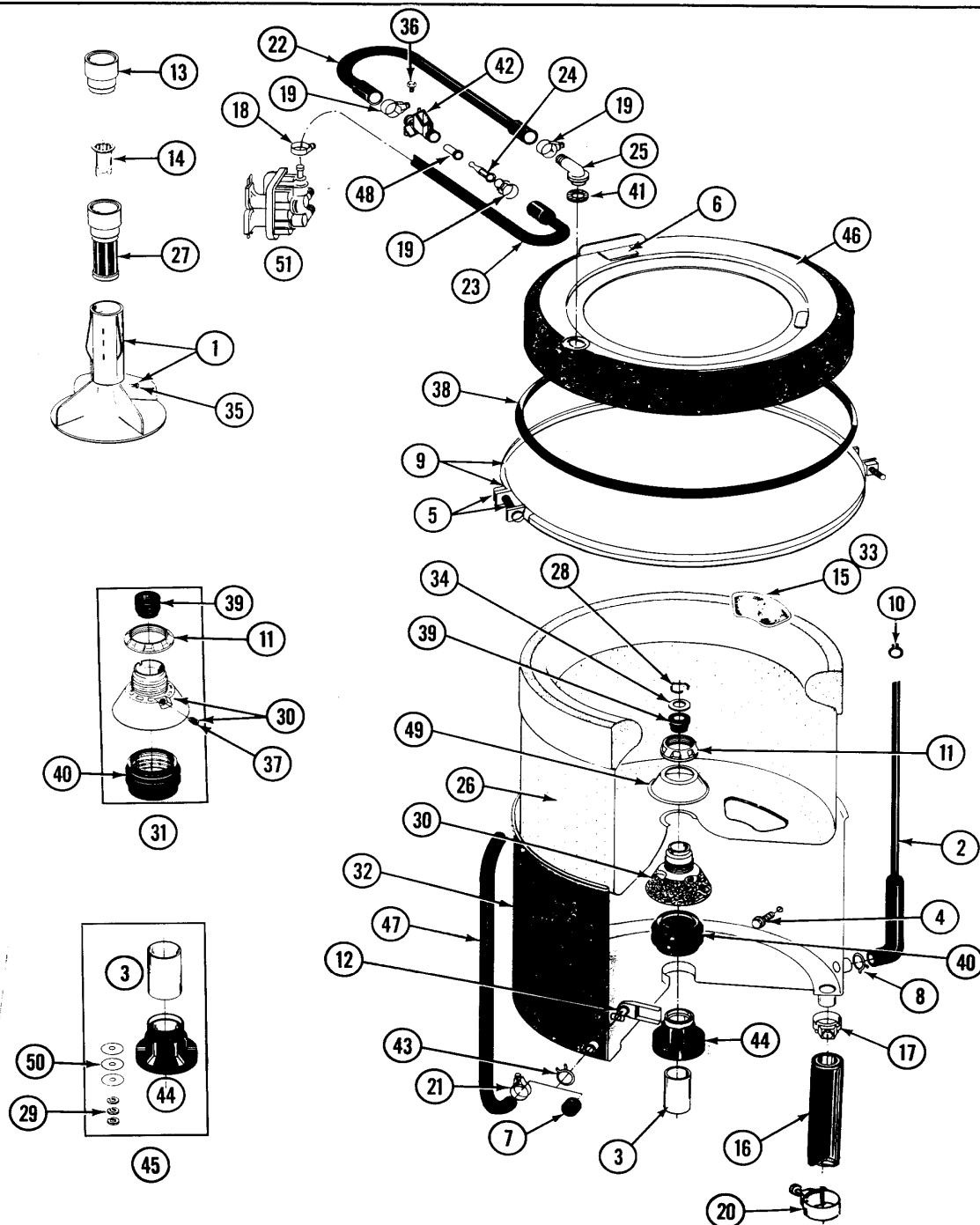
*Color Code (-)=Not Shown #=Series, Serial Prefix or Run No., N=Not Available

Section: TUB, AGITATOR, MOUNTING STEM & SEAL

Model: GA1910

SECTION: TUB, AGITATOR, MOUNTING STEM & SEAL

MODEL: ALL MODELS



Issue Date: 6/90

Section: TUB, AGITATOR, MOUNTING STEM & SEAL

| No. | Part No. | Description | Series | Qty |
|------|----------|--|--------|-----|
| 1 | 207538 | AGITATOR W/LOCK SCREW Note: AGITATOR (W/LOCK SCREW) | 00 | 1 |
| 2 | 212942 | AIR DOME AND TUBE Note: AIR DOME & TUBE | 00 | 1 |
| 3 | 211130 | LINER, TUB BEARING | 00 | 1 |
| 4 | 205254 | BOLT & GASKET ASSEMBLY (LONG) | 00 | 2 |
| 4 | 200744 | BOLT & GASKET ASSY.(SHORT) Note: BOLT & GASKET ASSEMBLY (SHORT) | 00 | 1 |
| 5 | 205529 | NUT & BOLT KIT FOR TUB CLAM Note: TUB CLAMP NUT & BOLT KIT | 00 | 2 |
| 6 | 215232 | UNBALANCE BUMPER Note: BUMPER, UNBALANCE | 00 | 1 |
| 8 | 211641 | CLAMP, 1-1/16" Note: CLAMP (1-1/16") | 00 | 1 |
| 9 | 200846 | CLAMP - TUB COVER Note: CLAMP, TUB COVER | 00 | 1 |
| 10 | 410296 | CLAMP,WATER LEVEL SWTCH TUBE Note: CLAMP, WATER LVL SWITCH TUBE | 00 | 1 |
| 11 | 211047 | NUT, CLAMPING (INNER TUB) | 00 | 1 |
| 12 | 214434 | SPOUT, DEFLECTOR | 00 | 1 |
| 14 | 215733 | DISPENSING CUP Note: CUP, DISPENSING | 00 | 1 |
| 16 | 212989 | HOSE, OUTER TUB TO PUMP Note: HOSE, OUTER TUB | 00 | 1 |
| 17 | 200900 | CLAMP, SPRAY ARM HOSE Note: CLAMP, SPRAY ARM HOSE | 00 | 1 |
| 18 | 201575 | HOSE CLAMP Note: CLAMP, HOSE | 00 | 1 |
| 19 | 202515 | HOSE CLAMP - 1-1/16 INCH Note: CLAMP, HOSE (1-1/16") | 00 | 3 |
| 20 | 202574 | CLAMP, HOSE | 00 | 1 |
| 21 | 205161 | CLAMP - 15/16" Note: CLAMP, BLEACH HOSE | 00 | 1 |
| 22 | 215234 | INJECTOR FILL HOSE Note: FILL HOSE, INJECTOR | 00 | 1 |
| 23 | 213013 | HOSE, INJECTOR Note: HOSE, INJECTOR | 00 | 1 |
| 24 | 213015 | INJECTOR NOZZLE Note: NOZZLE, INJECTOR | 00 | 1 |
| 25 | 215235 | INJECTOR TUBE Note: TUBE, INJECTOR | 00 | 1 |
| 26 N | 207830 | INNER TUB W/PLUG Note: TUB, INNER (W/PLUG) | 01 | 1 |
| 26 N | 201523 | INNER TUB Note: TUB, INNER | 00 | 1 |
| 27 | 207427 | LINT FILTER SHALLOW Note: FILTER, LINT (SHALLOW) | 00 | 1 |
| 28 | 015667 | RETAINING RING | 00 | 1 |
| 29 | 054867 | WASHER, LOCK | 00 | 3 |
| 30 | 202521 | MOUNTING STEM Note: STEM, MOUNTING | 00 | 1 |
| 31 | 204012 | MOUNTING STEM REPAIR KIT | 00 | 1 |
| 32 | 205486 | TUB, OUTER | 00 | 1 |
| 34 | 015666 | WASHER,RETAINING(CENTER SEAL)- Note: WASHER, RETAINING (CNTR SEAL) | 00 | 1 |
| 35 | 206478 | SCREW & WASHER FOR AGITATOR Note: SCREW & WASHER, AGITATOR | 00 | 1 |
| 36 | 312620 | SEMS SCREW, #10-16 X 1/2" Note: SEMS SCREW (#10-16 X 1/2") | 00 | 1 |
| 37 | 211618 | SET SCREW, MTG. STEM Note: SET SCREW, MOUNTING STEM | 00 | 1 |
| 38 | 211232 | SEAL | 00 | 1 |
| 39 | 0A4298 | SEAL, AGITATOR DRIVE SHAFT Note: SEAL, AGITATOR DRIVE SHAFT | 00 | 1 |
| 40 | 201537 | SEAL AND SPRING Note: SEAL & SPRING | 00 | 1 |
| 41 | 215233 | SEAL FOR INJECTOR TUBE Note: SEAL, INJECTOR TUBE | 00 | 1 |
| 42 | 215447 | SLEEVE FOR INJECTOR Note: SLEEVE, INJECTOR | 00 | 1 |
| 43 | 214739 | SPRING HOSE CLAMP Note: CLAMP, SPRING HOSE | 00 | 1 |
| 44 | 200824 | BEARING, TUB | 00 | 1 |
| 45 | 204013 | TUB BEARING REPAIR KIT | 00 | 1 |
| 46 | 206380 | TUB COVER Note: COVER, TUB | 00 | 1 |
| 47 | 214495 | TUBE, INLET TO TUB Note: TUBE, INLET | 00 | 1 |
| 48 | 213016 | VALVE FOR INJECTOR SUB Note: VALVE, INJECTOR | 00 | 1 |
| 49 | 211210 | WASHER,CLAMPING NUT(STAINLESS) Note: WASHER, CLAMPING NUT (STNLS) | 00 | 1 |
| 50 | 211100 | WASHER, CUSHION | 00 | 3 |
| 51 | 205613 | WATER VALVE Note: VALVE, WATER | 00 | 1 |

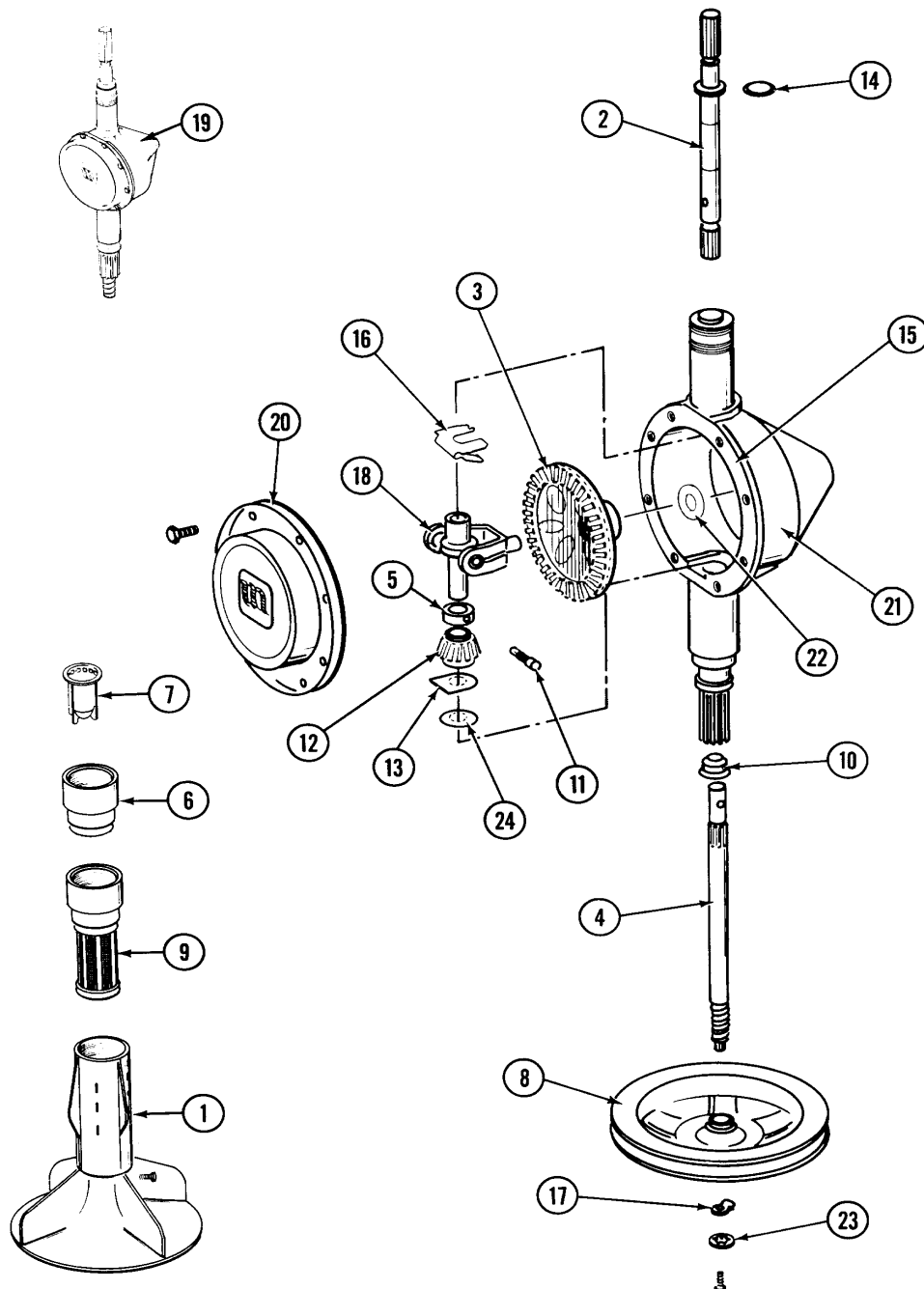
*Color Code (-)=Not Shown #=Series, Serial Prefix or Run No., N=Not Available

Section: ORBITAL TRANSMISSION

Model: GA1910

SECTION: ORBITAL TRANSMISSION

MODEL: ALL MODELS



Issue Date: 6/90

38

MA80C11

Section: ORBITAL TRANSMISSION

| No. | Part No. | Description | Series | Qty |
|-----|----------|---|--------|-----|
| - | 206478 | SCREW & WASHER FOR AGITATOR Note: SCREW & WASHER, AGITATOR | 00 | 1 |
| 1 | 207538 | AGITATOR W/LOCK SCREW Note: AGITATOR (W/LOCK SCREW) | 00 | 1 |
| 2 | 207153 | SHAFT, AGITATOR (W/SPRING) | 00 | 1 |
| 3 | 206713 | GEAR, BEVEL | 00 | 1 |
| 4 N | 215411 | SHAFT, CENTER | 00 | 1 |
| 5 | 215415 | COLLAR, LOWER Note: COLLAR (LWR) | 00 | 1 |
| 6 | 215721 | DISPENSING CAP Note: PART NOT USED | 00 | 1 |
| 7 | 215733 | DISPENSING CUP Note: CUP, DISPENSING | 00 | 1 |
| 8 | 211059 | PULLEY, DRIVE | 00 | 1 |
| 9 | 207427 | LINT FILTER SHALLOW Note: FILTER, LINT (SHALLOW) | 00 | 1 |
| 10 | 206602 | SEAL, LIP (CENTER SHAFT) Note: SEAL, CENTER SHAFT LIP | 00 | 1 |
| 11 | 206629 | PIN, COLLAR | 00 | 1 |
| 12 | 215401 | PINION Note: PINION | 00 | 1 |
| 13 | 215395 | PLATE, CLUTCH | 00 | 1 |
| 14 | 210690 | SEAL, RUBBER | 00 | 1 |
| 15 | 058700 | SILASTIC,ADH.SEALANT Note: SILASTIC, ADHESIVE SEALANT | 00 | 1 |
| 16 | 215581 | SPRING, AGITATOR SHAFT | 00 | 1 |
| - | 211375 | SCREW,STOP LUG(CENTER SHAFT) Note: SCREW, STOP LUG (CNTR SHAFT) | 00 | 1 |
| 17 | 211089 | LUG, STOP | 00 | 1 |
| 18 | 206685 | BLOCK, TORQUE AND YOKE ASSEMBL | 00 | 1 |
| 19 | 206708 | TRANSMISSION | 00 | 1 |
| - | 215417 | SCREW, TRANSMISSION COVER | 00 | 8 |
| 20 | 206628 | COVER, TRANSMISSION | 00 | 1 |
| 21 | 206625 | HOUSING, TRANSMISSION | 00 | 1 |
| 22 | 215394 | WASHER, BEVEL GEAR | 00 | 1 |
| 23 | 211090 | WASHER, LOCK | 00 | 1 |
| 24 | 211483 | WASHER, SPLINED | 00 | 1 |

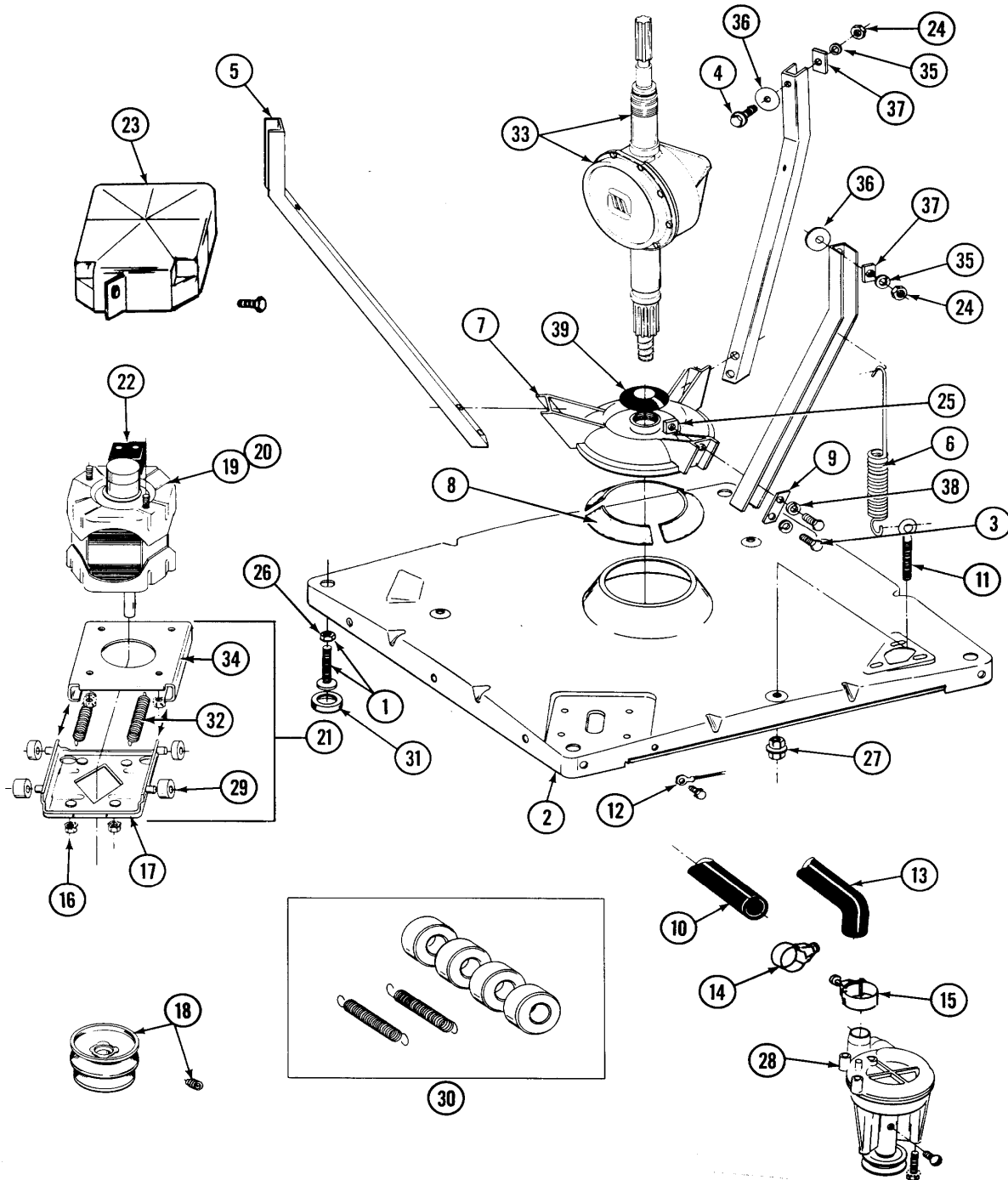
*Color Code (-)=Not Shown #=Series, Serial Prefix or Run No., N=Not Available

Section: BASE, PUMP, MOTOR & COMPONENTS

Model: GA1910

SECTION: BASE, PUMP, MOTOR & COMPONENTS

MODEL: ALL MODELS



Issue Date: 6/90

40

MA80C13

Section: BASE, PUMP, MOTOR & COMPONENTS

| No. | Part No. | Description | Series | Qty |
|------|----------|---|--------|-----|
| 1 | 302699 | LEG, ADJUSTABLE (W/NUT) | 00 | 4 |
| 2 | 203274 | BASE WITH DAMPER PADS Note: BASE (W/DAMPER PADS) | 00 | 1 |
| 3 | 015627 | SCREW, HEX HD CAP 5/16 X 5/8 | 00 | 6 |
| 4 | 205254 | BOLT & GASKET ASSEMBLY (LONG) | 00 | 2 |
| 4 | 200744 | BOLT & GASKET ASSY.(SHORT) Note: BOLT & GASKET ASSEMBLY (SHORT) | 00 | 1 |
| 5 | 213100 | BRACE, TUB | 00 | 3 |
| 6 | 213054 | CENTERING SPRING - 3 USED Note: SPRING, CENTERING | 00 | 3 |
| 7 | 203725 | DAMPER W/BOLT & CLIP Note: DAMPER (W/BOLT & CLIP) | 00 | 1 |
| 8 | 203956 | DAMPER PAD KIT (W/POLY LUBE) Note: DAMPER PAD KIT (W/POLY LUBE) | 00 | 1 |
| 9 | 213073 | WASHER, DOUBLE Note: WASHER, DOUBLE | 00 | 3 |
| 10 | 214767 | HOSE,PUMP TO SIPHON BREAK Note: HOSE, PUMP | 00 | 1 |
| 11 | 213120 | EYE BOLT FOR CENTER SPRING Note: EYE BOLT, CENTER SPRING | 00 | 3 |
| - | 210186 | SCREW, GROUND WIRE TO BASE--NA Note: SCREW, GROUND WIRE | 00 | 1 |
| 12 | 204807 | GRND.WIRE,SUPP.PLTE TO TOP CVR Note: GROUND WIRE, SUPPORT PLATE | 00 | 1 |
| 13 | 212989 | HOSE, OUTER TUB TO PUMP Note: HOSE, OUTER TUB | 00 | 1 |
| 14 | 200461 | HOSE CLAMP - 1-5/8 INCH Note: CLAMP, HOSE (1-5/8") | 00 | 1 |
| 15 | 202574 | CLAMP, HOSE | 00 | 1 |
| 16 | 311426 | NUT, WASHERED LOCK Note: KEPS NUT, MOTOR BASE | 00 | 3 |
| 17 | 205908 | LOWER MOTOR MOUNT Note: MOUNT, MOTOR (LWR) | 00 | 1 |
| - | 053241 | SET SCREW, PULLEY | 00 | 1 |
| 18 | 200816 | PULLEY, MOTOR (W/SET SCREW) | 00 | 1 |
| 19 | 201805 | MOTOR (ONE SPEED) | 00 | 1 |
| 20 | 201807 | MOTOR - TWO SPEED 120-60 Note: PART NOT USED | 00 | 1 |
| 21 | 205999 | MOTOR MOUNT ASSM COMPLETE Note: MOTOR MOUNT ASSY. (COMPLETE) | 00 | 1 |
| 22 | 206505 | SWITCH, MOTOR START Note: SWITCH, MOTOR EXTERNAL START PROD ID# 2-1664-11 & 2-5463-1 | 00 | 1 |
| 22 | 205131 | SWITCH, MOTOR START Note: SWITCH, MOTOR EXTERNAL START PROD. ID# 2-1666-2, 2-1666-11,2-1666-12,2-1666-14 & 2-5464-2 | 00 | 1 |
| 22 | 205132 | SWITCH, MOTOR START Note: SWITCH, MOTOR EXTERNAL START PROD. ID# 2-1664-4, 2-1664-9, 2-1664-10,2-1664-12 & 2-5463-2 | 00 | 1 |
| 22 N | 205133 | MOTOR EXTERNAL START SWITCH Note: SWITCH, MOTOR EXTERNAL START PROD. ID# 2-1664-8 & 2-5463 | 00 | 1 |
| 22 N | 205134 | MOTOR EXTERNAL START SWITCH Note: SWITCH, MOTOR EXTERNAL START PROD. ID# 2-1666-8 & 2-5464 | 00 | 1 |
| 22 | 206504 | MOTOR EXTERNAL START SWITCH Note: SWITCH, MOTOR EXTERNAL START PROD. ID# 2-1666-13 & 2-5464-1 | 00 | 1 |
| - | 213121 | SCREW Note: SCREW | 00 | 1 |
| 23 | 215098 | SHIELD, MOTOR | 00 | 1 |
| 24 | 052734 | NUT Note: NUT, TUB BRACE | 00 | 3 |
| 25 | 052785 | NUT,BRACE TO DAMPER Note: NUT, DAMPER BRACE | 00 | 6 |
| 26 | 210385 | NUT, LOCK | 00 | 4 |
| 27 | 211949 | NUT, EYEBOLT | 00 | 3 |
| - | 015408 | SCREW, BEARING INSERT | 00 | 1 |
| 28 | 202203 | PUMP AS PAK | 00 | 1 |
| - | 211880 | SCREW, HEX HD #10 X 1/2 INC Note: SCREW (HEX HD #10 X 1/2") | 00 | 3 |
| 29 | 204998 | GLIDE KIT (4 W/POLY LUBE) | 00 | 1 |
| 30 | 205000 | GLIDE & SPRING KIT | 00 | 1 |
| 31 | 210684 | FOOT, RUBBER | 00 | 4 |
| 32 | 202718 | TENSION SPRINGS Note: SPRINGS, TENSION | 00 | 1 |
| 33 | 206708 | TRANSMISSION | 00 | 1 |
| 34 | 214956 | MOUNT, MOTOR/UPPER Note: PLATE, MOTOR MOUNT (UPR) | 00 | 1 |
| 35 | 054867 | WASHER, LOCK | 00 | 3 |
| 36 | 211100 | WASHER, CUSHION | 00 | 3 |
| 37 | 212979 | WASHER, TUB BRACE | 00 | 3 |
| 38 | 911852 | WASHER, LOCK (BRACE) Note: WASHER, LOCK | 00 | 6 |
| 39 | 211028 | DEFLECTOR,WATER (DRIVE TUBE) Note: DEFLECTOR, WATER | 00 | 1 |

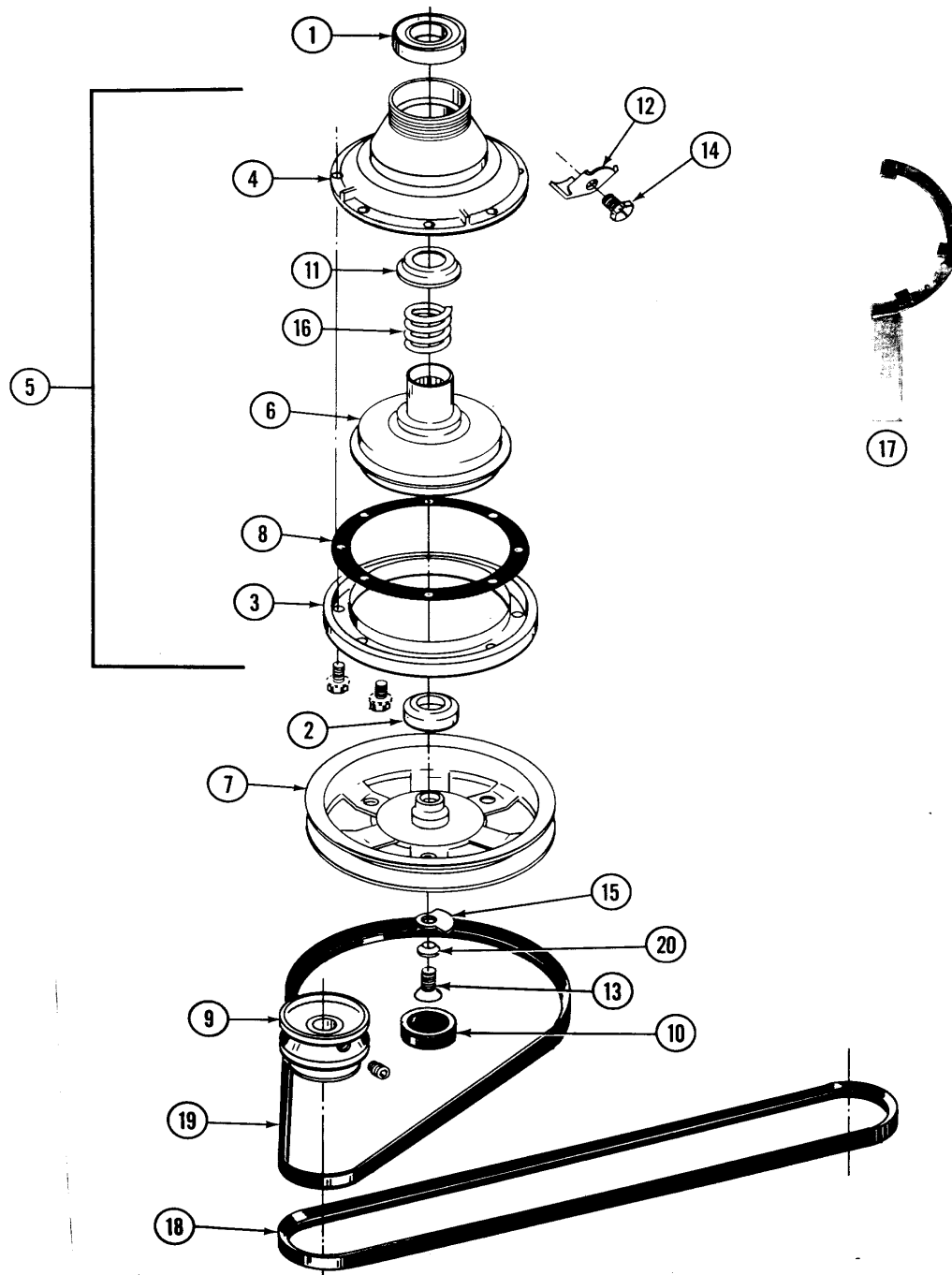
*Color Code (-)=Not Shown #=Series, Serial Prefix or Run No., N=Not Available

Section: CLUTCH, BRAKE & BELTS

Model: GA1910

SECTION: CLUTCH, BRAKE & BELTS

MODEL: ALL MODELS



Issue Date: 6/90

44

MA80D3

Section: CLUTCH, BRAKE & BELTS

| No. | Part No. | Description | Series | Qty |
|------|----------|---|--------|-----|
| 1 | 200720 | BALL BEARING, RADIAL | 00 | 1 |
| 2 | 200835 | BEARING, BRAKE ROTOR | 00 | 1 |
| 3 | 211043 | DRUM, BRAKE | 00 | 1 |
| - | 211000 | SCREW,HEX HEAD (BRAKE DRUM) Note: SCREW, BRAKE DRUM (HEX HD) | 00 | 8 |
| 4 | 211045 | HOUSING, BRAKE | 00 | 1 |
| 5 | 201190 | BRAKE ASSEMBLY Note: PACKAGE, BRAKE | 00 | 1 |
| 6 | 201126 | ROTOR, BRAKE (W/FACING) | 00 | 1 |
| 7 | 211059 | PULLEY, DRIVE | 00 | 1 |
| 8 | 211042 | GASKET, BRAKE DRUM | 00 | 1 |
| 9 | 200816 | PULLEY, MOTOR (W/SET SCREW) | 00 | 1 |
| - | 053241 | SET SCREW, PULLEY | 00 | 1 |
| 10 N | 211038 | CAP, OIL RETAINER | 00 | 1 |
| 11 | 211039 | RETAINER, BRAKE SPRING | 00 | 1 |
| 12 | 213325 | CLIP, RETAINER | 00 | 1 |
| 13 | 211375 | SCREW,STOP LUG(CENTER SHAFT) Note: SCREW, STOP LUG (CNTR SHAFT) | 00 | 1 |
| 14 | 213326 | SCREW, RETAINING CLIP Note: BOLT, RETAINING CLIP | 00 | 1 |
| 15 | 211089 | LUG, STOP | 00 | 1 |
| 16 | 211041 | SPRING, BRAKE | 00 | 1 |
| 17 | 038315 | TOOL, BRAKE PKG ASSY Note: TOOL, BRAKE PACKAGE ASSEMBLY | 00 | 1 |
| 18 | 211124 | V BELT, PUMP | 00 | 1 |
| 19 | 211125 | V BELT,DRIVE PULLEY Note: V BELT, DRIVE PULLEY | 00 | 1 |
| 20 | 211090 | WASHER, LOCK | 00 | 1 |

*Color Code (-)=Not Shown #=Series, Serial Prefix or Run No., N=Not Available