

This Owner's Manual is provided and hosted by [Appliance Factory Parts](#).



ADAMS F20 Owner's Manual

[Shop genuine replacement parts for ADAMS F20](#)



[Find Your ADAMS Humidifier Parts - Select From 17 Models](#)

----- Manual continues below -----

Replacement Parts List

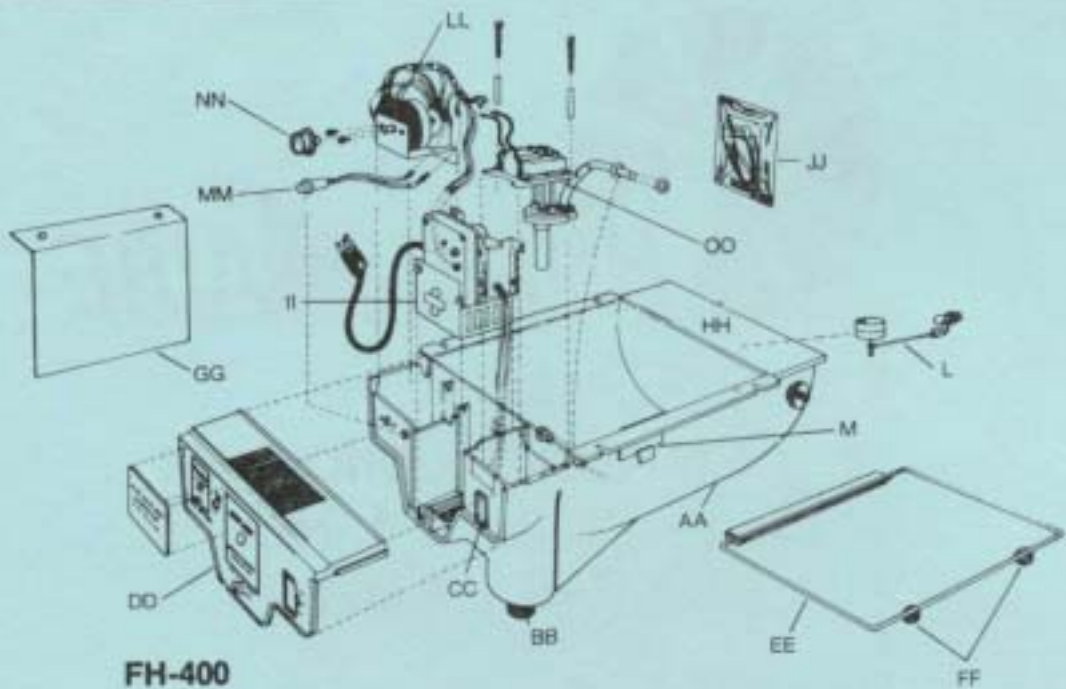
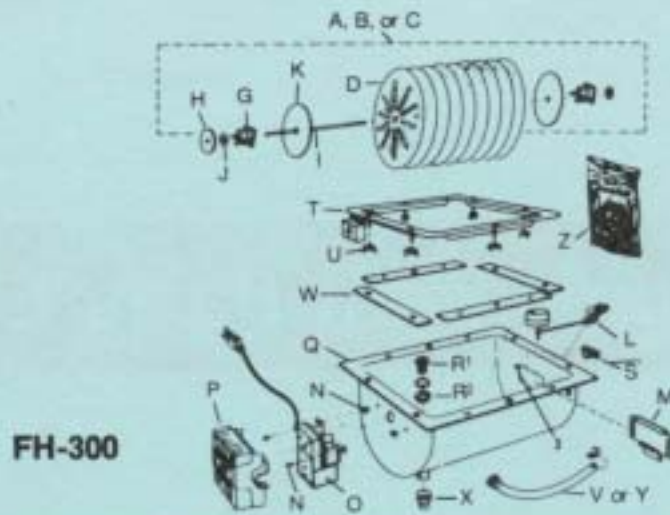


**CENTRAL HUMIDIFIER
PRODUCT LINE
(RESIDENTIAL)**

The logo features the same stylized wheel icon as above. To its right, the text "ADAMS MANUFACTURING CO." is written in a smaller, sans-serif font. Below this, the word "HUMID" is written in a bold, sans-serif font, followed by a stylized water droplet icon, and then the word "AIRE" in a larger, bold, sans-serif font. A registered trademark symbol (®) is located at the end of "AIRE". Below the main logo, the address "9790 Midwest Avenue, Cleveland, Ohio 44125-2497" and the phone number "(216) 587-6801" are printed in a smaller font.

ADAMS MANUFACTURING CO.
HUMID AIRE® DIVISION
9790 Midwest Avenue, Cleveland, Ohio 44125-2497 (216) 587-6801

REPLACEMENT PARTS FOR MODELS FH-300 & FH-400



KEY NO.	PART NO.	DESCRIPTION
---------	----------	-------------

PARTS COMMON TO MODELS FH-300 & FH-400

COMPLETE HUMID-DISC ASSEMBLIES — Consist of Humid-Discs (cleanable architectural bronze) mounted on stainless steel shaft (ready to install & operate).

A	RH-96	"A" Humid-Disc Asy. (13 Disc)
B	RH-97	"B" Humid-Disc Asy. (24 Disc)
C	RH-447	"C" Humid-Disc Asy. (32 Disc)

HUMID-DISC ASSEMBLY PARTS

D	H-23	Bronze Humid-Disc
G	H-444	Disc Spacer, Replaces H-93 & H-94
H	H-98	Protective Washer (1 per asy.)
I	H-95/356	Stainless Steel Shaft w/2 retaining clips (H-356)
J	H-356	Retaining Clip (2 reqd. per asy.)
K	H-369	Screen Shield (2 reqd. per asy.)

KEY NO.	PART NO.	DESCRIPTION
---------	----------	-------------

MISCELLANEOUS COMMON PARTS

L	RH-474	Float Valve Asy.
NOT K.I.U.S.	H-378	Buna-n Seat, for float arm.
M	H-453	"Snap-In Snap-Out" Observation Window
NOT K.I.U.S.	H-7041	Saddle Valve Kit

REPLACEMENT PARTS FOR FH-300

N	H-90/384	Nylatch Asy. (2 plastic grommets & 2 screws)
O	RH-325	Complete Motor Asy.
P	137 Asy	Motor Cover Asy. w/nameplate & labels
Q	RH-340	Reservoir Sub-Asy. consists of Reservoir (H-195), Drain Ftg. Asy. (RH-3301), Brass Lock nut (H-301), & Spit Bearing brkt. (H-13)
R ₁	RH-3301	Barbed Drain Ftg. (H-423) w/Rubber Washer (H-436)
R ₂	H-301	Lock nut
S	H-13	Spit Bearing Brkt. w/2 mntg. screws
T	RH-29	Mntg. Frame Asy.
U	H-357	Quick Fasteners (6 rgrd.)
V	RH-435	Direct Flush Drain Asy. Direct replacement for Drain Cap, H-323
W	2015/822 Asy	Gasket Set (2 long, 2 short)
X	H-323	Drain Cap.
Z	159 Asy	Parts Bag Asy.
X	H-82	5/8" Dia. Drain Cap

NOTE: ALL OTHER PARTS ARE DIRECTLY INTERCHANGEABLE WITH FH-300

REPLACEMENT PARTS FOR FH-400 ONLY

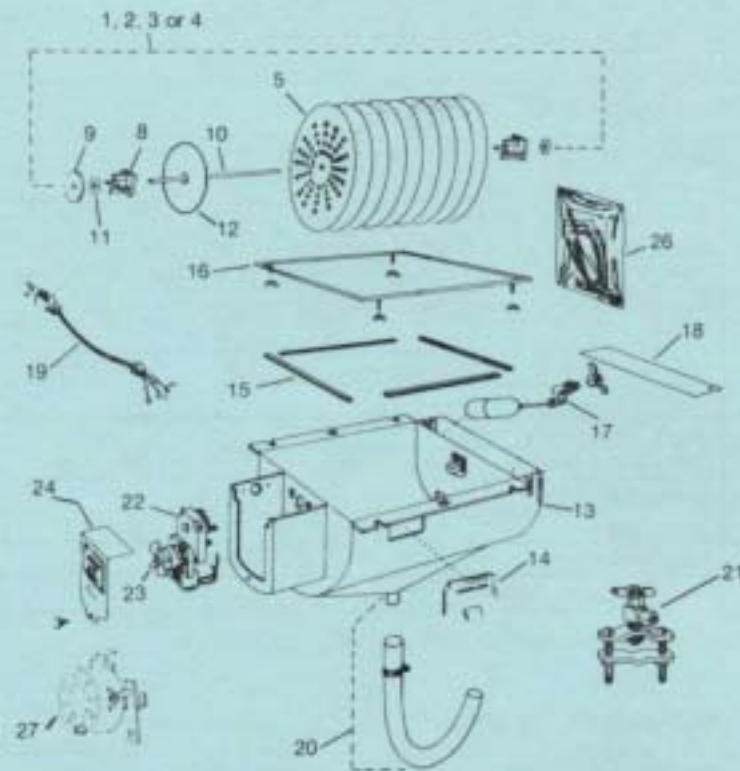
AA	RH-450	Reservoir, w/window (H-453) (Poly Carbonate Mat'l)
BB	657 Asy	Drain Cap (Brass), w/Cap Seal (H-5079)
CC	H-472/473	Pilot Light/Brkt Asy
DD	798 Asy	Name Plate Asy., w/Fastener & Lens
EE	H-457	Mntg. Frame (only)
FF	H-494	Thumbnuts, Brass (2 rgrd.)
GG	H-491	Deflector
HH	H-459	Float Compartment Cover
II	RH-141	Motor Asy. (Complete, Ready to Install)
NOT K.I.U.S.	H-467/468	Gasket Set (2 long & 2 short)
NOT K.I.U.S.	RH-519	Direct Flush Drain Asy. (Optional Accessory)
JJ	584 Asy	Parts Bag Asy.

H-521 SENTINEL PARTS

LL	RH-3303	Timer Asy. w/Mntg. Screws & Knob (Replaces H-539)
MM	H-510	Pilot Light
NN	H-477	Control Knob
OO	H-540	Pump

REPLACEMENT PARTS FOR FH-1000, 2000, 10, 16, 20

NOTE: Model FH-2000L Discontinued. Parts directly interchangeable with Model FH-1000L20.



MODELS FH1000, 2000L SERIES

KEY NO.	PART NO.	DESCRIPTION
---------	----------	-------------

PARTS COMMON TO MODELS FH-1000, 10, 16 & 20

COMPLETE HUMID-DISC ASSEMBLIES — Consist of Humid-Discs (cleanable architectural bronze) mounted on stainless steel shaft (ready to install & operate).

1	RH-2032	Humid-Disc Asy. (10 Disc)
2	RH-2176	Humid-Disc Asy. (20 Disc)
3	RH-2276	Humid-Disc Asy. (24 Disc)
4	RH-2393	Humid-Disc Asy. (16 Disc)

HUMID-DISC ASSEMBLY PARTS

5	H-23	Bronze Humid-Disc
6	H-444	Disc Spacer Replaces H-94
9	H-98	Protective Washer (1 used per asy.)
10	H-2003/356	H-2003 Stainless Steel Shaft w/2 retaining clips (H-356)
11	H-356	Retaining Clip (2 rqr. per asy.)
12	H-369	Screen Shield (2 rqr. per asy.)

KEY NO.	PART NO.	DESCRIPTION
---------	----------	-------------

MISCELLANEOUS COMMON PARTS FOR FH-1000, 10, 16 & 20

13	RH-2215	Reservoir w/window
14	H-453	Snap-In Snap-Out Observation Window
15	2015 Asy	Gasket Set (4 pcs.)
16	H-2013/2016	Mntg. Frame w./4 Wing nuts (H-2016)
17	RH-2010	Float Valve w/Compression nut & Ferrule
18	H-2011/2012	Float Compartment Cover w/Mntg. Screw (H-2012)
19	RH-2268	Power Cord (Male plug) w/Strain Relief Bushing (H-2212)
20	RH-519	Direct Flush Drain Asy. w/Hanger H-428 & Mntg. Hrdwr.
21	H-7041	Saddle Valve Kit
24	2035 Asy	Nameplate w/Captive Thumbscrew and service instructions
26	2014 Asy	Parts Bag Asy. (Includes Gasket Set, Hanger & Mntg. Hrdwr., Window, Drain Ftg., 4 wingnuts, manual, compression nut, saddle valve kit, Clamp & warranty card) (Same as 2368)

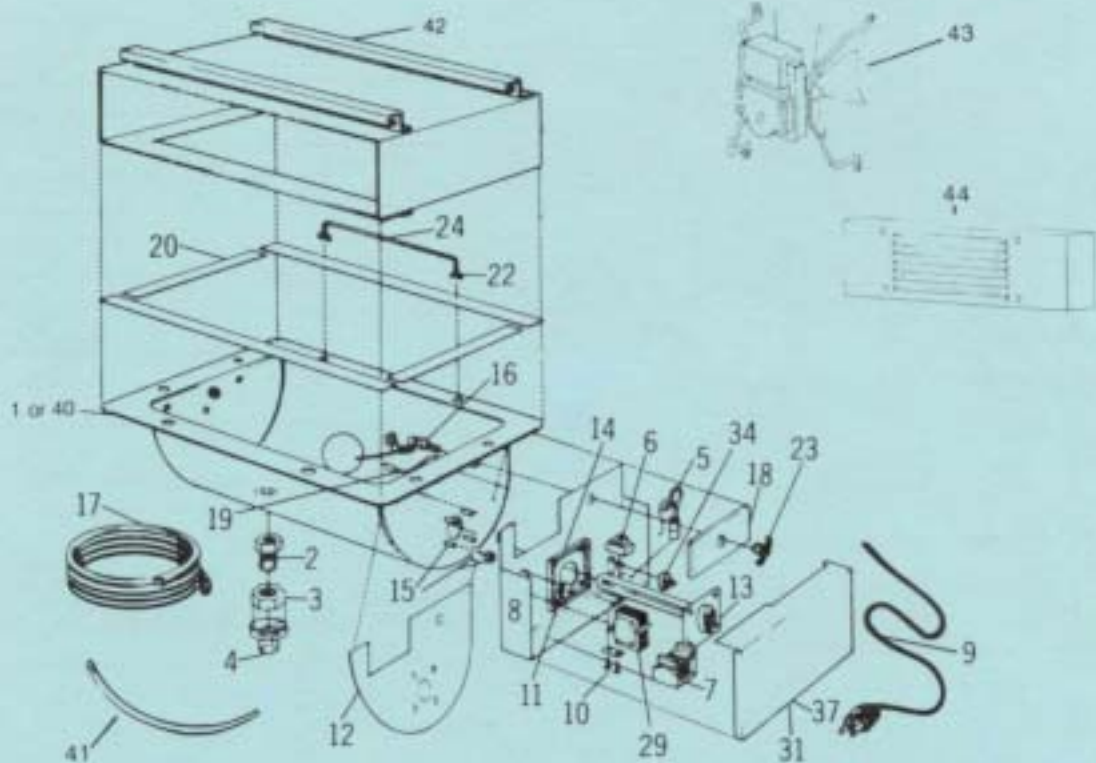
REPLACEMENT PARTS FOR FH-1000

22	RH-2031	Motor Asy. 110 V AC, Impedence Protected, Helical drive, 250 in-oz. Torque, complete w/Fan (H-2007) and Mntg. Hrdwr.
23	H-2007	Fan Blade

REPLACEMENT PARTS FOR FH-10, 16 & 20 ONLY

27	RH-2379	Motor/Brkt. Asy. (complete - ready to install & operate) Note: Customers wishing to upgrade their FH-10, 16, or 20 may use RH-2031 heavy duty worm & pinion motor
----	---------	--

REPLACEMENT PARTS FOR MA-115 & 315



KEY NO.	PART NO.	DESCRIPTION
---------	----------	-------------

COMMON PARTS 115 & 315

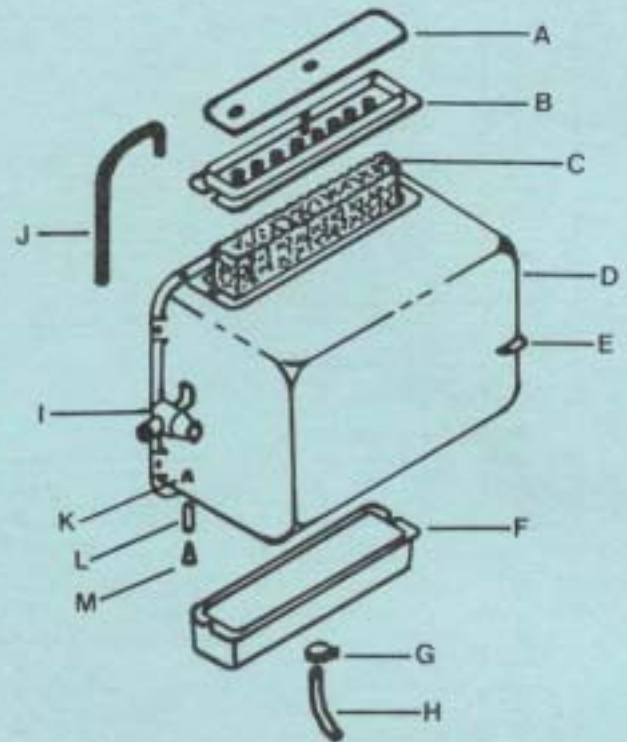
1	H-3201	Reservoir only
40	RH-3302	Reservoir Assy. includes reservoir, 4 mntg. studs & nuts, barbed drain Assy., mntg. gaskets (4), gasket (Housing to Reservoir)
2	RH-3301	Barbed Drain Ftg. (H-423) w/washer (H-436)
3	H-301	Lock nut (for RH-3301)
4	H-323	Drain cap.
NOT LISTED	RH-435	Direct Flush Drain Assy. Direct replacement for part no. H-323
41	RH-519	Direct Flush Drain Assy. To be used with barbed drain ftg. (Units mfgd. after Jan. '80)
5	3296 Assy	Pilot Light w/Clip
6	3314 Assy	Term Block/Lug Assy.
7	H-3212/3213	Relay w/ Screw (H-3213) (2)
8	H-3216	Housing Only
9	H-3257	Power Cord
10	H-10021	Contact Board (For Humidistat Wires)
11	9-1103	Thermostat
12	H-3278	Gasket (Housing to Reservoir)
13	H-3202	Heater Only
14	H-3205	Gasket (Heater to Reservoir)
15	3297 Assy	Nut & Washer set. Includes 1 H-6029 nut & 1 H-3224 washer (4 rprd)

REPLACEMENT PARTS FOR FH-182

KEY NO.	PART NO.	DESCRIPTION
---------	----------	-------------

REPLACEMENT PARTS FOR FH-182

A	H-7503	Cover — Distribution Tray
B	H-7501	Distribution Tray
C	H-7504	Evaporator Pad (AWP-3)
D	H-7500	Housing
E	H-7514	Selector-Damper
F	H-7502	Drain Pan
G	H-3094	Clamp-Tube
H	H-7515	Drain Tube
I	H-7506	Solenoid Valve — 24V
	H-7505	Solenoid Valve — 115V
J	H-7510	Supply Tube
K	H-7509	Orifice (40-120 PSI)
	H-7516	Orifice (20-40 PSI)
L	H-7507	Inlet Fitting
M	H-7508	Strainer Inlet
NOT ILLUSTRATED	H-7511	Channel-Pad (2 Req.)
NOT ILLUSTRATED	H-7520	Lockdown Screw Cover
NOT ILLUSTRATED	H-7519	Parts Bag
NOT ILLUSTRATED	H-2030/161	1/4 Compression Nut/Ferrule



REPLACEMENT PARTS FOR FH-212



KEY NO.	PART NO.	DESCRIPTION
---------	----------	-------------

REPLACEMENT PARTS FOR FH-212

1	H-8104	Housing
2	H-8100	Cover
3	H-8119	Motor
4	H-850	Humidistat
5	24V-20VA	Transformer
6	H-8128	Parts Bag

7	H-2195-72	Supply Tube
8	H-8126	Block-Off Plate
9	H-2048	Starting Collar
10	H-177-24	By-Pass Tube
NOT ILLUSTRATED	H-8120	Water Pan
NOT ILLUSTRATED	H-8113	Float Assembly
NOT ILLUSTRATED	H-8121	Drum Assembly
NOT ILLUSTRATED	H-8127	Drum-Pad
NOT ILLUSTRATED	H-8109	Air Inlet Collar