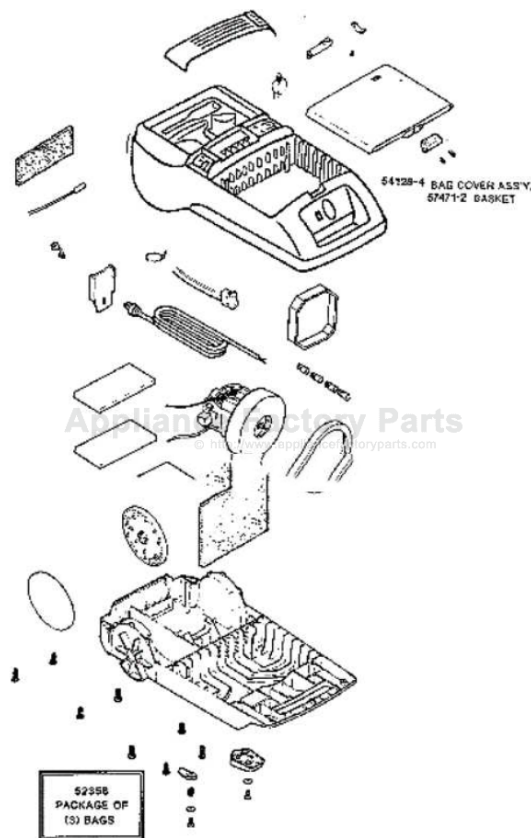


This Owner's Manual is provided and hosted by [Appliance Factory Parts](#).



Eureka 6825A Owner's Manual

[Shop genuine replacement parts for Eureka 6825A](#)

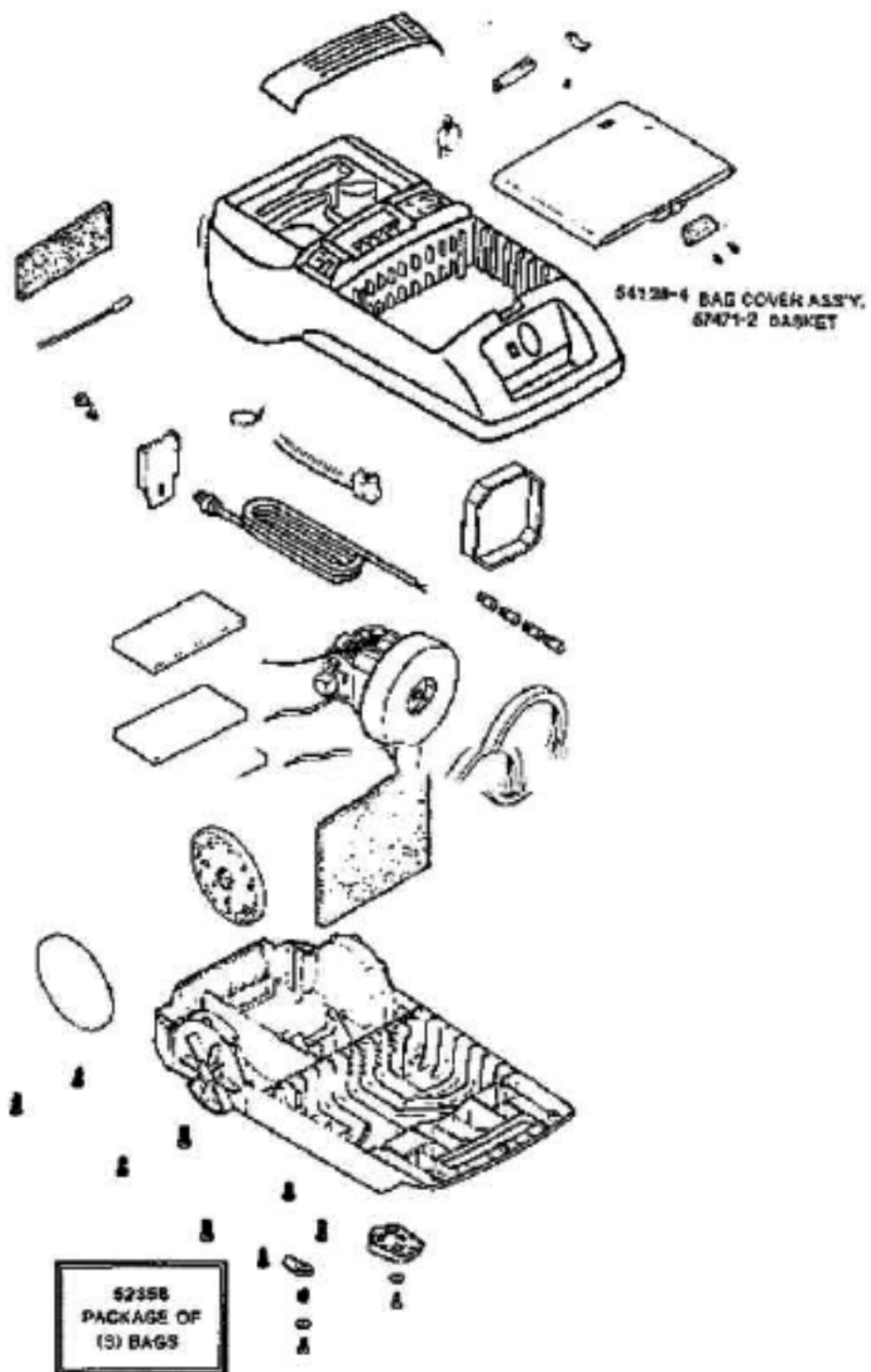


[Find Your Eureka Vacuum Cleaner Parts - Select From 855 Models](#)

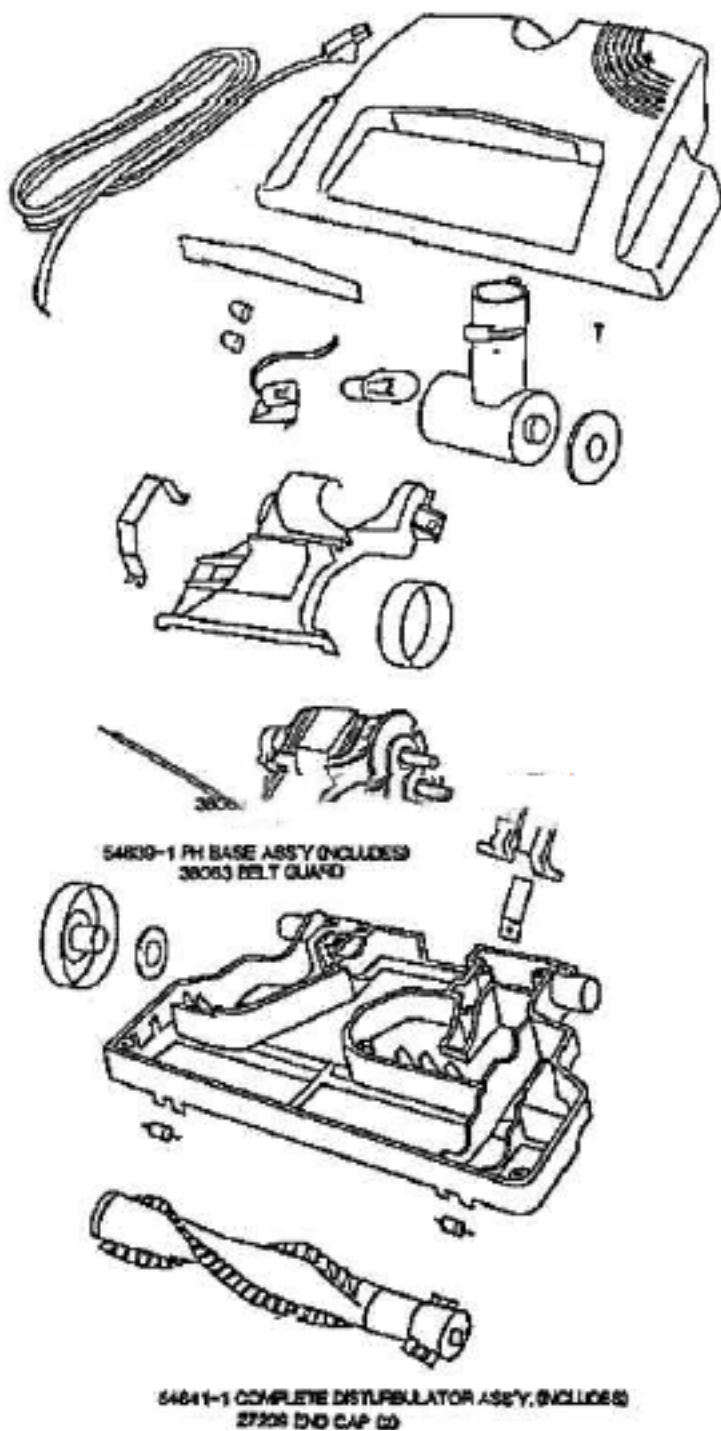
----- Manual continues below part list -----

Available Replacement Parts for Eureka 6825A

| | |
|--------------------------|-------------------------------|
| ER-1422 | BAG EUREKA 3 PACK |
| E-37657 | FILTER, CANISTER, 1PK |
| 155506 | MOTOR |
| 195-9488 | 14 INCH WIRE DOLLY - 4 SOCKET |



| Ref # | Part | Description | Comments | Qty |
|-------|----------|---------------------------|----------|-----|
| 1 | 14571-2 | BUTTON COVER & GRAPHICS A | | |
| 2 | 26440-25 | WHEEL - REAR | | |
| 3 | 26651-4 | CONNECTOR ASSEMBLY | | |
| 4 | 26715A | GASKET - MOTOR MOUNTING | | |
| 5 | 27009-3 | BUTTON - LATCH | | |
| 6 | 27329-1 | CORD - LOW LEAD (17 GA) | | |
| 7 | 36341-2 | SWITCH - PUSH | | |
| 8 | 37403-1 | CASTER | | |
| 9 | 37490-3 | RELEASE - CORD | | |
| 10 | 37657 | FILTER - MOTOR | | |
| 11 | 37761-1 | BAG INDICATOR ASSEMBLY | | |
| 12 | 37966 | SOUND FOAM | | |
| 13 | 38083 | EXHAUST FILTER | | |
| 14 | 52358 | PAPER BAG PKG ASSY (STYLE | | |
| 15 | 53141 | TIE - CABLE (PURCHASED) | | |
| 16 | 53197-1 | SCREW PACKAGE | | |
| 17 | 53214-2 | WIRE SPLICE 5 | | |
| 18 | 53238-1 | SCREW PACKAGE | | |
| 19 | 53238-22 | SCREW PACKAGE | | |
| 20 | 54128-4 | BAG COVER & GRPHCS ASSY - | | |
| 21 | 54219-1 | BUSHING - STRAIN RELIEF (| | |
| 22 | 54403 | MOTOR ASSEMBLY - PACKAGED | | |
| 23 | 55446 | NUT - SWITCH | | |
| 24 | 55463 | GASKET - MOTOR STACK | | |
| 25 | 55794 | SPRING | | |
| 26 | 56088 | SPRING | | |
| 27 | 56146 | THERMOSTAT | | |
| 28 | 56376 | WASHER | | |
| 29 | 56750 | CLIP - BAG INDICATOR | | |
| 30 | 57471-2 | GASKET - SHELL | | |



| Ref # | Part | Description | Comments | Qty |
|-------|----------|---------------------------|----------|-----|
| 1 | 14940-1 | PEDAL - FOOT | | |
| 2 | 27397-1 | LENS - HOOD | | |
| 3 | 27398-1 | AIR DUCT COVER ASSEMBLY | | |
| 4 | 35970-13 | POLARIZED CORD & PLUG ASS | | |
| 5 | 37434-1 | WHEEL - REAR | | |
| 6 | 38083 | EXHAUST FILTER | | |
| 7 | 38377 | STRAP - MOTOR | | |
| 8 | 38379-1 | HANDLE SOCKET ASSEMBLY | | |
| 9 | 38484-1 | HEADLIGHT SOCKET ASSEMBLY | | |
| 10 | 48815 | LAMP - HEADLIGHT | | |
| 11 | 53214-2 | WIRE SPLICE 5 | | |
| 12 | 53238-8 | SCREW PACKAGE | | |
| 13 | 53984-1 | WHEEL & AXLE PACKAGE - FR | | |
| 14 | 54343-1 | MOTOR ASSEMBLY - PACKAGED | | |
| 15 | 54639-1 | POWERHEAD HOOD/BASE KIT | | |
| 16 | 54641-1 | DISTURBULATOR ASSY - CART | | |
| 17 | 54839 | FAN - ROTATING | | |
| 18 | 56180 | FELT WASHER | | |
| 19 | 57421-2 | WIRE & TERMINAL ASSEMBLY | | |
| 20 | 57992 | GASKET - FELT | | |
| 21 | 58065 | BELT PACKAGE ASSY - STYLE | | |
| 22 | 58169 | SPRING | | |

ATTACHMENTS FOR MODEL 6825A



64259-1 HOSE ASSEMBLY
34272-5 BLEEDER



36879-3 STRAIGHT WAND



54355-3 RADIATOR TOOL



63455-5 DUSTING BRUSH
33787 INSERT



53464-7 UPHOLSTERY NOZZLE
46186 BRUSH INSERT



54533-4 FLOOR & WALL BRUSH

| Ref # | Part | Description | Comments | Qty |
|-------|---------|---------------------------|----------|-----|
| 1 | 33787 | INSERT - RINGLOCK BRUSH | | |
| 2 | 34272-5 | BLEEDER | | |
| 3 | 36879-3 | STRAIGHT WAND ASSEMBLY | | |
| 4 | 46186 | BRUSH | | |
| 5 | 53454-7 | UPHOLSTERY NOZZLE ASSY - | | |
| 6 | 53455-5 | DUSTING BRUSH - PACKAGED | | |
| 7 | 54259-1 | HOSE ASSEMBLY - CARTONED | | |
| 8 | 54355-3 | TOOL - CREVICE | | |
| 9 | 54533-4 | FLOOR & WALL BRUSH - PACK | | |