

WASHER

Repair Parts List

MODEL NUMBER

A8120

When requesting service or ordering parts, always provide the following information:

- Product Type
- Part Number
- Model Number
- Part Description

MAYTAG®

©2005 Maytag Services

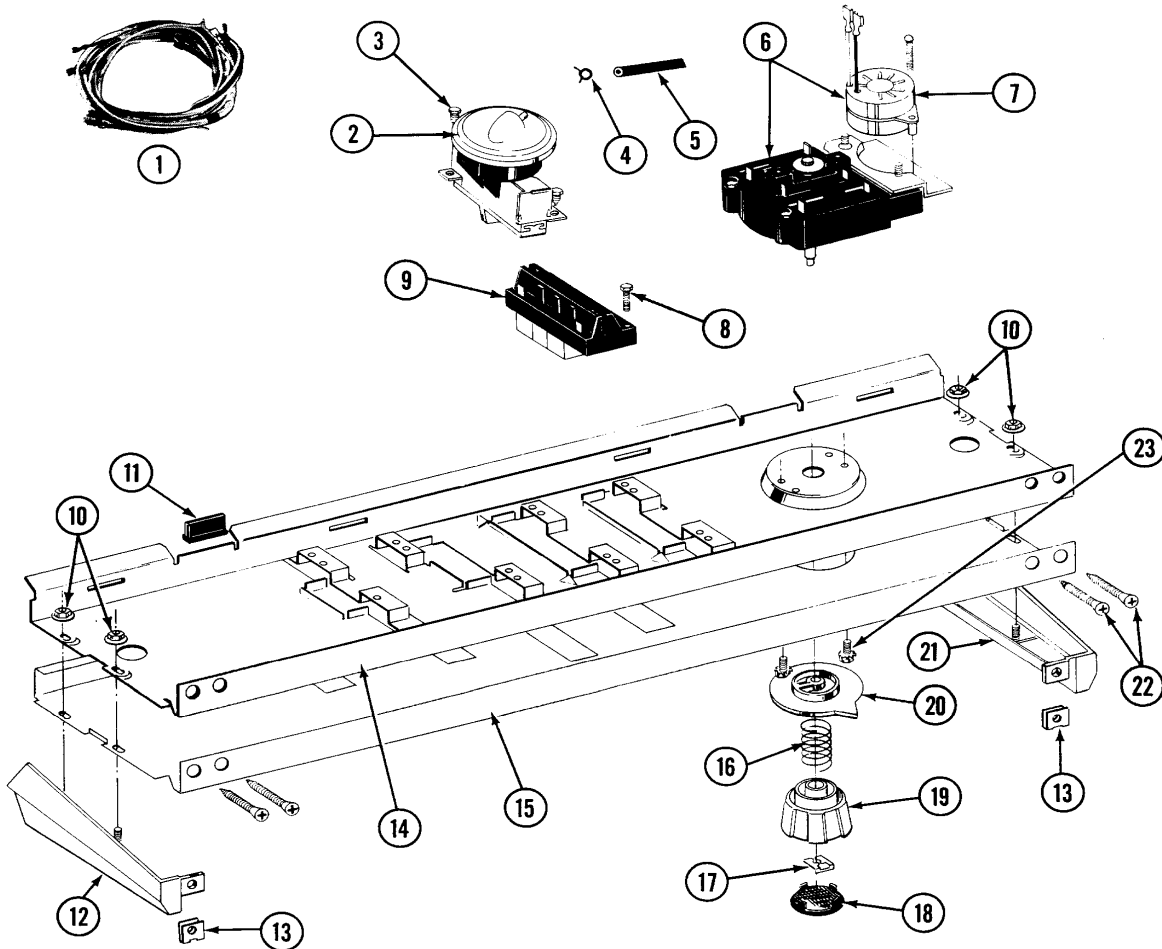
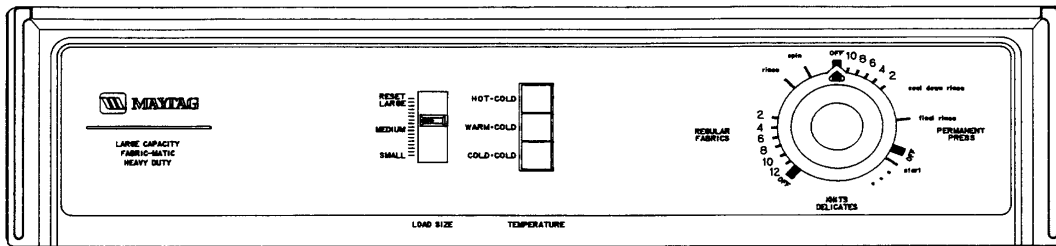
Section: CONTROL PANEL

Model: A8120

SECTION: CONTROL PANEL

MODEL: A8120

P/N 16000168



Issue Date: 5/91

Section: CONTROL PANEL

No.	Part No.	Description	Series	Qty
1	207383	WIRE HARNESS	A0	1
2	207362	INFINITE LEVEL PRESSURE SWITCH Note: SWITCH, INFINITE LVL PRESSURE	A0	1
3	211168	SCREW, #8 X 5/16 INCH Note: SCREW (#8 X 5/16 INCH)	A0	2
4	410296	CLAMP,WATER LEVEL SWTCH TUBE Note: CLAMP, WATER LEVEL SWITCH TUBE	A0	1
5	212942	AIR DOME AND TUBE Note: AIR DOME & TUBE	A0	1
6	207377	TIMER	A0	1
7	205033	TIMER MOTOR 120-60 Note: MOTOR, TIMER (120-60)	A0	1
8	213117	SCREW-TEMP. SWITCH TO PANEL Note: SCREW, TEMPERATURE SWITCH	A0	2
9	207368	TEMP CONTROL SWITCH - 3 BUTTON Note: SWITCH, TEMP. CONTROL (3 BUT)	A0	1
10	214872	PALNUT, END CAP	A0	4
11	N 214897	PAD, CONTROL PANEL	A0	2
12	207215	END CAP LH Note: CAP, END (LT)	A0	1
13	214894	FASTENER, END CAP	A0	2
14	214818	BACK UP PLATE Note: PLATE, BACK UP	A0	1
15	N 207605	CONTROL PANEL Note: PANEL, CONTROL	A0	1
16	211065	SPRING, TIMER KNOB	A0	1
17	211605	RETAINER, TIMER KNOB	A0	1
18	215821	CAP, KNOB	A0	1
19	215828	KNOB, TIMER (BLK)	A0	1
20	215827	TIMER DIAL SKIRT Note: SKIRT, TIMER DIAL	A0	1
21	207216	END CAP RH Note: CAP, END (RT)	A0	1
22	210932	SCREW, #8 X 9/16 CTSK Note: SCREW, CONTROL PANEL	A0	4
23	213966	SCREW-TIMER TO CONTROL PANE Note: SCREW, TIMER	A0	2

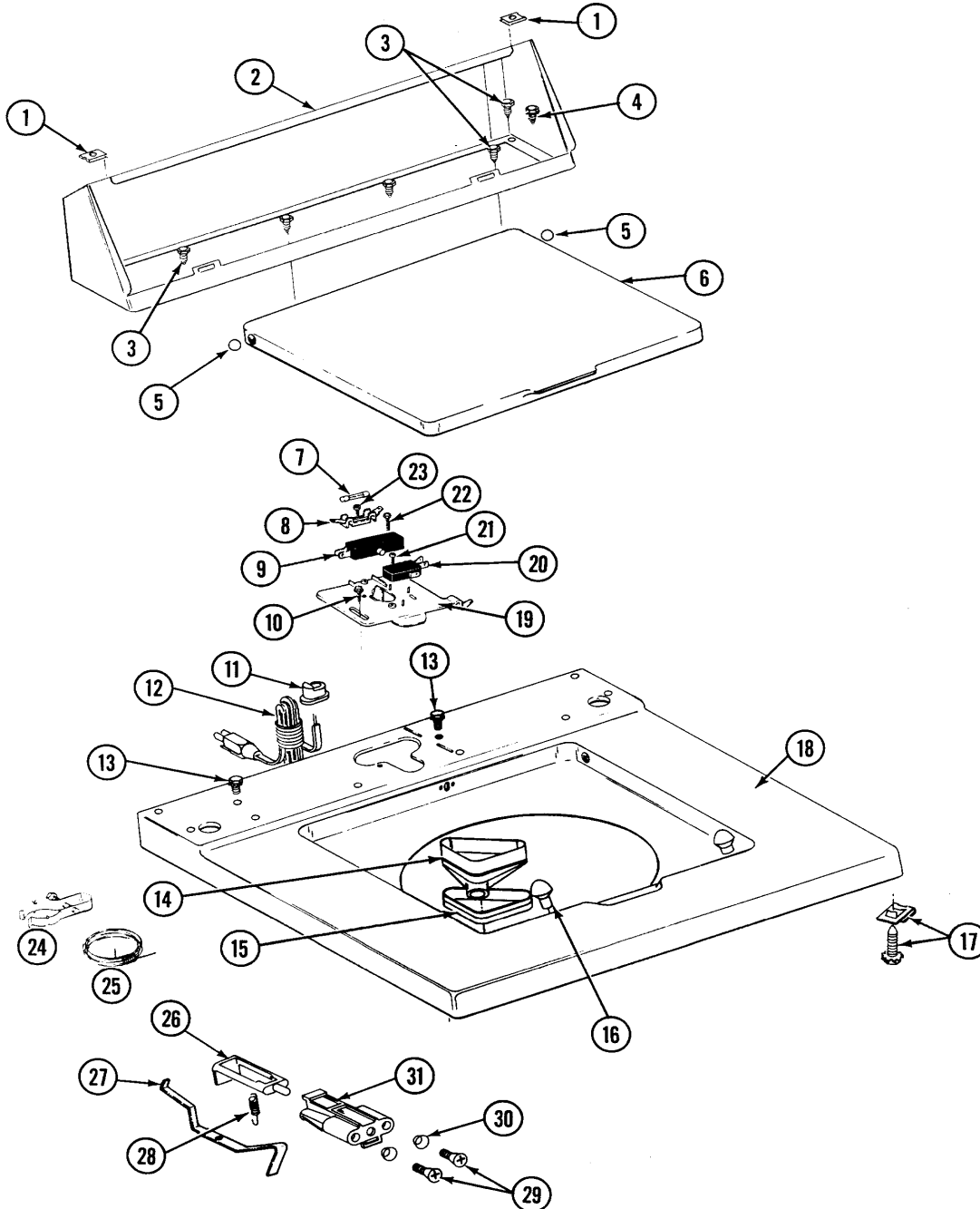
*Color Code (-)=Not Shown #=Series, Serial Prefix or Run No., N=Not Available

Section: TOP COVER

Model: A8120

SECTION: TOP COVER
MODEL: A8120 A8210

P/N 16000168



Issue Date: 5/91

Section: TOP COVER

No.	Part No.	Description	Series	Qty
1	215075	FASTENER,CNTRL PNL TO CONSOLE Note: FASTENER, CONTROL PANEL	A0	2
2	N 205635M	CONSOLE (HVST WHEAT) Note: (H. WHEAT)	A0	1
2	N 205635	CONSOLE (WHT)	A0	1
3	211294	SCREW	A0	5
4	313559	SCREW	A0	1
5	211726	HINGE, BALL	A0	2
6	212073	LID-WHITE Note: LID (WHT)	A0	1
7	207168	FUSE	A0	1
8	207167	BLOCK, FUSE	A0	1
9	205415	SWITCH, LID (W/O TUB LIGHT)	A0	1
10	207159	SCREW	A0	1
11	211881	GROMMET, CORD	A0	1
12	204590	POWER CORD Note: CORD, POWER	A0	1
-	210186	SCREW, GROUND WIRE TO BASE--NA Note: SCREW, GROUND WIRE	A0	1
13	210186	SCREW, GROUND WIRE TO BASE--NA Note: SCREW, GROUND WIRE	A0	2
16	212716	BUMPER, LID	A0	2
17	204445	SCREW & FASTENER ASY. Note: SCREW & FASTENER ASSEMBLY	A0	2
18	N 207172	TOP COVER Note: TOP COVER ASSEMBLY (WHT)	A0	1
19	215699	BRACKET,SWITCH & FUSE Note: BRACKET, SWITCH & FUSE	A0	1
20	207166	SWITCH, CHECK	A0	1
21	912012	SCREW	A0	1
22	213501	SCREW, #6-20 X 1-1/8 INCH Note: SCREW (#6-20 X 1-1/8#)	A0	2
23	311711	SCREW	A0	1
24	301548	CLAMP, GROUND (W/SCREW)	A0	1
25	311155	GROUND WIRE	A0	1
26	N 215700	LID SWITCH PLUNGER Note: PLUNGER, LID SWITCH	A0	1
26	N 208591	KIT, PLUNGER & BRACKET	B8	1
27	215704	UNBALANCE LEVER Note: LEVER, UNBALANCE	A0	1
28	213720	SPRING	A0	1
29	910182	SCREW	A0	2
30	211500	WASHER,BRACKE TO TOP COVER Note: WASHER, BRACKET	A0	2
31	N 216256	BRACKET, UNBALANCE	B8	1
31	214279	BRACKET F/LID SWITCH PLUNGE Note: BRACKET, LID SWITCH PLUNGER	A0	1

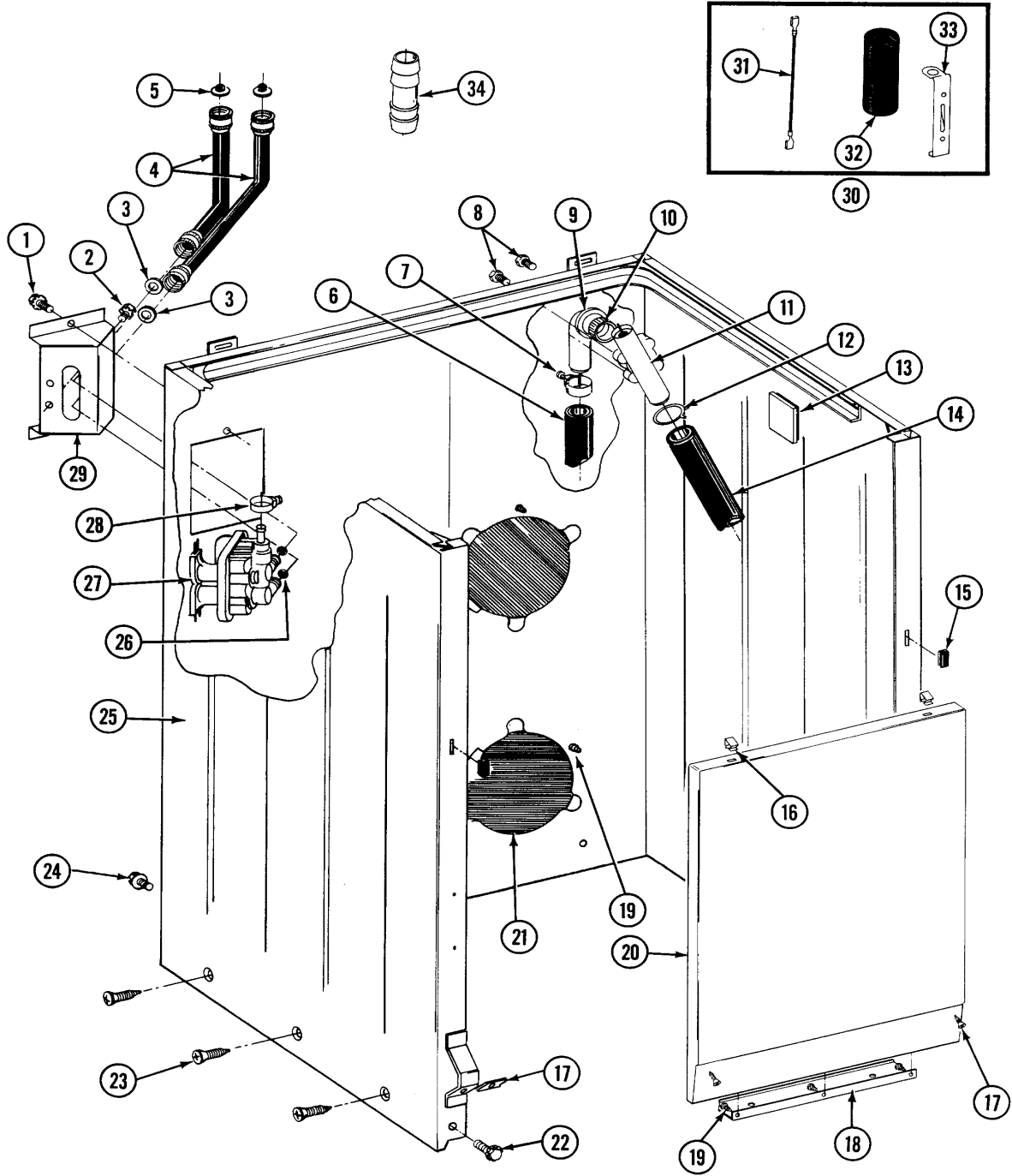
*Color Code (-)=Not Shown #=Series, Serial Prefix or Run No., N=Not Available

Section: CABINET

Model: A8120

SECTION: CABINET
MODEL: A8120 A8210

P/N 16000168



Issue Date: 5/91

Section: CABINET

No.	Part No.	Description	Series	Qty
1	212276	SCREW	A0	1
2	N 313561	SCREW----NA	A0	2
3	013783	GASKET, INLET HOSE Note: WASHER, INLET HOSE	A0	2
4	202860	INLET HOSE ASSY. Note: INLET HOSE ASSEMBLY	A0	2
5	200961	SCREEN WASHER, INLET HOSE	A0	2
6	216017	HOSE, DRAIN (7/8" I.D.) Note: HOSE, DRAIN (7/8" I.D.)	A2	1
6	215279	HOSE, DRAIN	A0	1
6	N 059149	(7/8" I.D. CARTON OF 50 FT.)	A2	1
7	200908	HOSE CLAMP - 1-1/2 INCH Note: CLAMP, HOSE (1 1/2 INCH)	A2	1
7	200461	HOSE CLAMP - 1-5/8 INCH Note: CLAMP, HOSE (1 5/8 INCH)	A0	1
8	014874	SCREW	A0	4
9	214764	SIPHON BREAK ELBOW Note: ELBOW, SIPHON BREAK	A0	1
9	216016	ELBOW, SIPHON BREAK	A2	1
10	214765	GASKET, SIPHON BREAK	A0	1
11	206638	SIPHON BREAK(W/CLAMP) Note: BREAK, SIPHON (W/CLAMP)	A0	1
12	200461	HOSE CLAMP - 1-5/8 INCH Note: CLAMP, HOSE (1 5/8 INCH)	A0	1
13	215058	PAD, CABINET BUMPER	A0	2
14	214767	HOSE,PUMP TO SIPHON BREAK Note: HOSE, PUMP	A0	1
15	214376	SPACER, FRONT PANEL	A0	2
16	212982	FASTENER, PANEL	A0	2
17	204439	SCREW & FSTNER ASSY(FRT.PANEL) Note: SCREW & FASTNER ASSEMBLY	A0	2
18	213846	GUARD, BELT	A0	1
19	211294	SCREW	A0	5
20	212998	FRONT PANEL-WHITE Note: PANEL, FRONT (WHT)	A0	1
21	N 211878	PLATE, ACCESS	A0	2
22	213122	SCREW,CBNT.TO FRNT OF BASE--NA Note: SCREW, CABINET (FRT)	A0	2
23	213007	SCREW, CABINET	A0	6
24	213121	SCREW	A0	3
25	N 203319	CABINET-WHITE Note: CABINET (WHT)	A0	1
26	214337	SCREEN, VALVE	A0	2
27	205613	WATER VALVE Note: VALVE, WATER	A0	1
28	201575	HOSE CLAMP Note: CLAMP, HOSE	A0	1
29	214812	BRACKET,WATER VALVE Note: BRACKET, WATER VALVE	A0	1
30	206103	CAPACITOR KIT Note: KIT, CAPACITOR	A0	1
31	203237	#17 WIRE WITH TERMINAL Note: #17 WIRE (W/TERMINAL)	A0	1
32	200832	CAPACITOR	A0	1
33	211149	CLIP, CAPACITOR	A0	1
34	216015	HOSE COUPLING Note: COUPLING, HOSE	A2	1

*Color Code (-)=Not Shown #=Series, Serial Prefix or Run No., N=Not Available

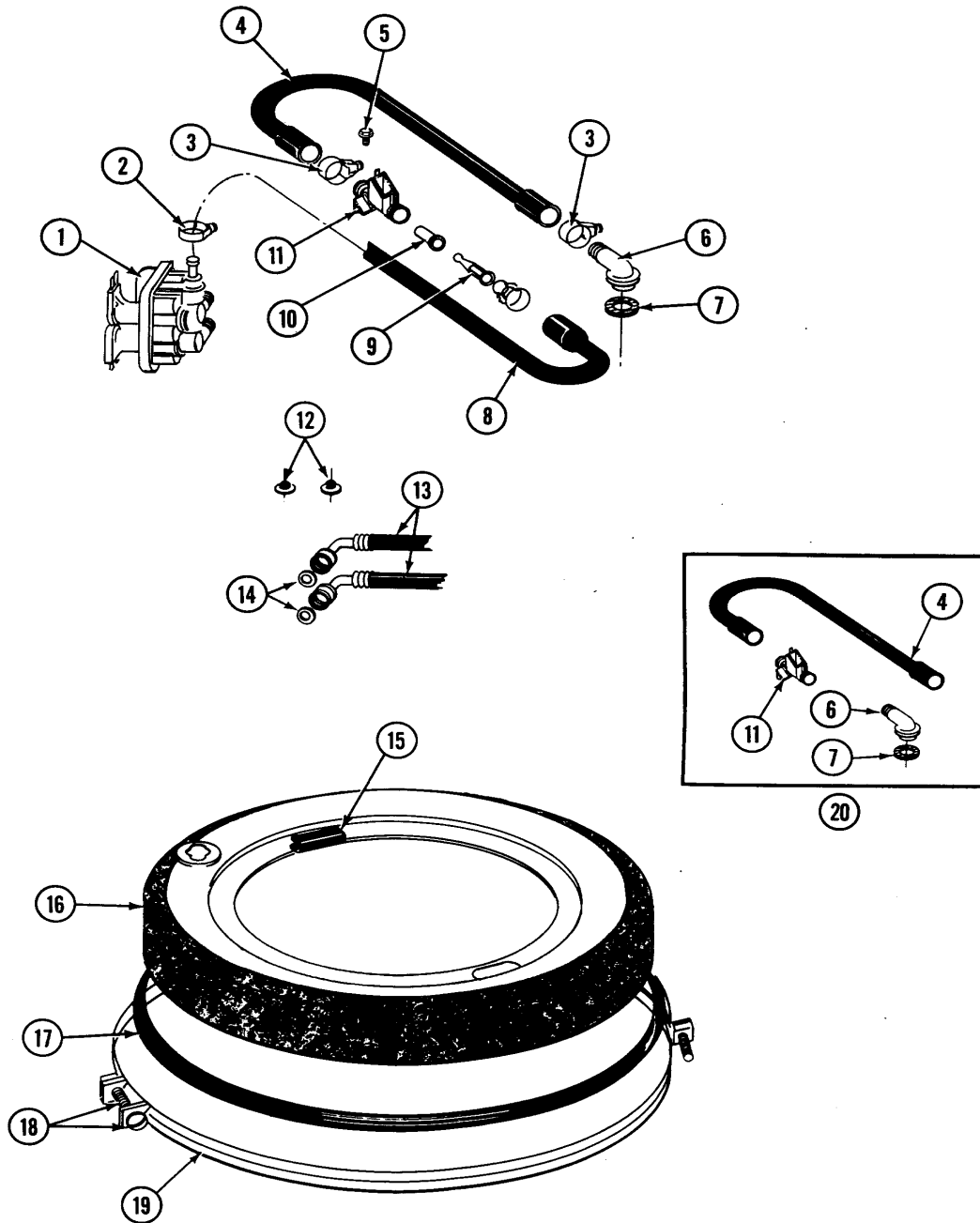
Section: TUB COVER

Model: A8120

SECTION: TUB COVER, WATER VALVE & WATER INJECTOR ASSEMBLY

MODEL: A8120 A8210

P/N 16000168



Issue Date: 5/91

10

MA80E11

Section: TUB COVER

No.	Part No.	Description	Series	Qty
1	205613	WATER VALVE Note: VALVE, WATER	A0	1
2	201575	HOSE CLAMP Note: CLAMP, HOSE	A0	1
3	202515	HOSE CLAMP - 1-1/16 INCH Note: CLAMP, HOSE (1-1/16 INCH)	A0	3
4	215234	INJECTOR FILL HOSE Note: FILL HOSE, INJECTOR	A0	1
5	312620	SEMS SCREW, #10-16 X 1/2" Note: SCREW, SEMS (#10-16 X 1/2")	A0	1
6	215235	INJECTOR TUBE Note: TUBE, INJECTOR	A0	1
7	215233	SEAL FOR INJECTOR TUBE Note: SEAL, INJECTOR TUBE	A0	1
8	213013	HOSE, INJECTOR Note: HOSE, INJECTOR	A0	1
9	213015	INJECTOR NOZZLE Note: NOZZLE, INJECTOR	A0	1
10	213016	VALVE FOR INJECTOR SUB Note: VALVE, INJECTOR	A0	1
11	215447	SLEEVE FOR INJECTOR Note: SLEEVE, INJECTOR	A0	1
12	200961	SCREEN WASHER, INLET HOSE Note: SCREEN WASHER, INLET HOSE	A0	2
13	202860	INLET HOSE ASSY. Note: INLET HOSE ASSEMBLY	A0	2
14	013783	GASKET, INLET HOSE Note: WASHER, INLET HOSE	A0	2
15	215232	UNBALANCE BUMPER Note: BUMPER, UNBALANCE	A0	1
16	206380	TUB COVER Note: COVER, TUB	A0	1
17	211232	SEAL	A0	1
18	205529	NUT & BOLT KIT FOR TUB CLAM Note: TUB CLAMP NUT & BOLT KIT	A0	2
19	200846	CLAMP - TUB COVER Note: CLAMP, TUB COVER	A0	2
20	206683	INJECTOR HOSE KIT Note: INJECTOR HOSE KIT	A0	1

*Color Code (-)=Not Shown #=Series, Serial Prefix or Run No., N=Not Available

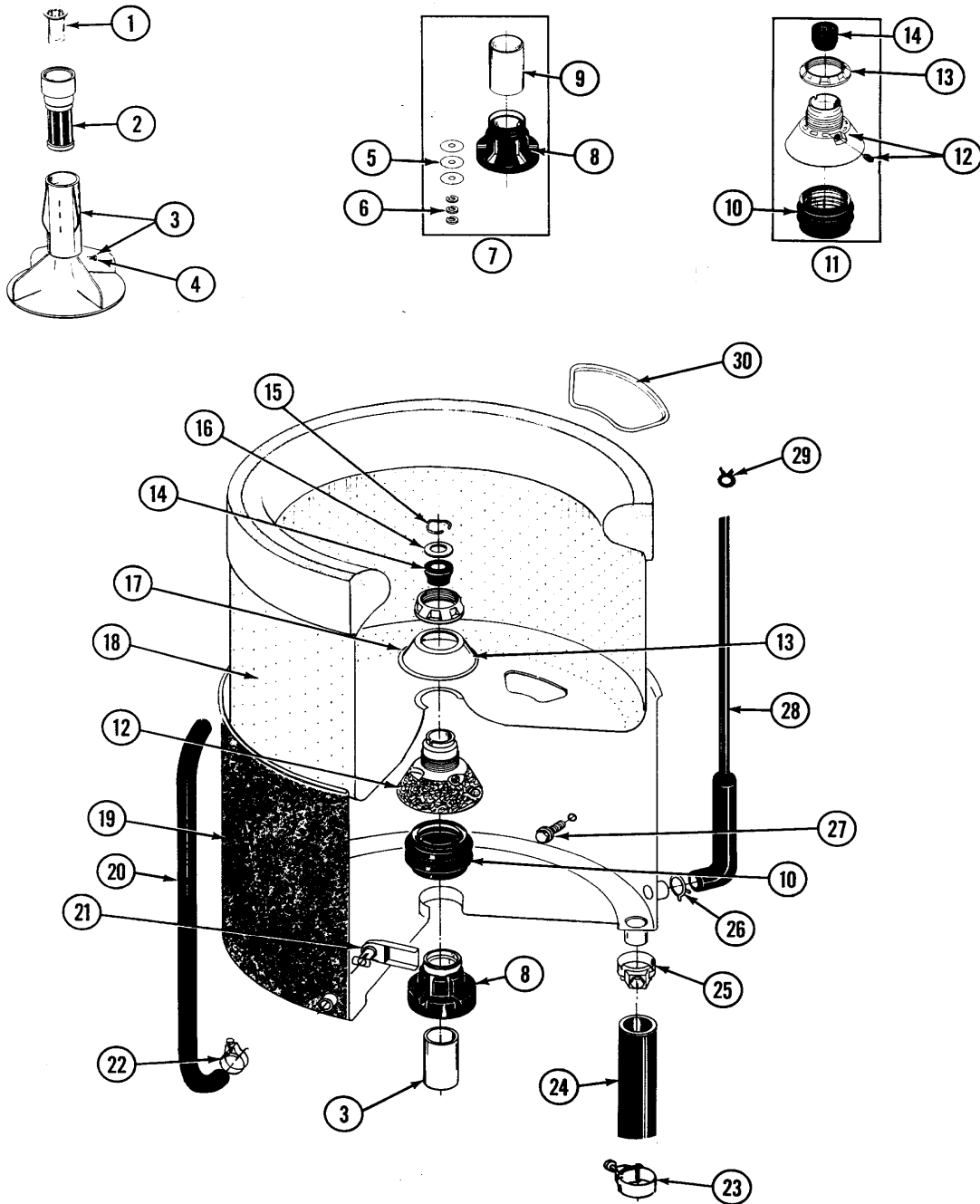
Section: TUB ASSEMBLY

Model: A8120

SECTION: TUB ASSEMBLY

MODEL: A8120 A8210

P/N 16000168



Issue Date: 5/91

Section: TUB ASSEMBLY

No.	Part No.	Description	Series	Qty
1	215733	DISPENSING CUP Note: CUP, DISPENSING	A0	1
2	207427	LINT FILTER SHALLOW Note: FILTER, LINT (SHALLOW)	A0	1
3	207538	AGITATOR W/LOCK SCREW Note: AGITATOR (W/LOCK SCREW)	A0	1
4	206478	SCREW & WASHER FOR AGITATOR Note: SCREW & WASHER, AGITATOR	A0	1
5	211100	WASHER, CUSHION	A0	3
6	054867	WASHER, LOCK	A0	3
7	204013	TUB BEARING REPAIR KIT Note: TUB BEARING REPAIR KIT	A0	1
8	200824	BEARING, TUB	A0	1
9	211130	LINER, TUB BEARING	A0	1
10	201537	SEAL AND SPRING Note: SEAL & SPRING	A0	1
11	204012	MOUNTING STEM REPAIR KIT Note: MOUNTING STEM REPAIR KIT	A0	1
12	202521	MOUNTING STEM Note: STEM, MOUNTING	A0	1
13	211047	NUT, CLAMPING (INNER TUB)	A0	1
14	0A4298	SEAL, AGITATOR DRIVE SHAFT	A0	1
15	015667	RETAINING RING	A0	1
16	015666	WASHER,RETAINING(CENTER SEAL)- Note: WASHER, RETAINING (CNTR SEAL)	A0	1
17	211210	WASHER,CLAMPING NUT(STAINLESS) Note: WASHER, CLAMPING NUT (STNLS)	A0	1
18	N 207830	INNER TUB W/PLUG Note: TUB, INNER (W/PLUG)	A0	1
19	203318	OUTER TUB Note: TUB, OUTER	A0	1
21	214434	SPOUT, DEFLECTOR Note: PART NOT USED	A0	1
23	202574	CLAMP, HOSE	A0	1
24	212989	HOSE, OUTER TUB TO PUMP Note: HOSE, OUTER TUB	A0	1
25	200900	CLAMP, SPRAY ARM HOSE Note: CLAMP, SPRAY ARM HOSE	A0	1
26	211641	CLAMP, 1-1/16" Note: CLAMP (1-1/16")	A0	1
27	200744	BOLT & GASKET ASSY.(SHORT) Note: BOLT & GASKET ASSEMBLY (SHORT)	A0	1
27	205254	BOLT & GASKET ASSEMBLY (LONG) Note: BOLT & GASKET ASSEMBLY (LONG)	A0	2
28	212942	AIR DOME AND TUBE Note: AIR DOME & TUBE	A0	1
29	410296	CLAMP,WATER LEVEL SWTCH TUBE Note: CLAMP, WATER LEVEL SWITCH TUBE	A0	1
30	215980	PLUG, FILTER HOLE Note: PLUG, FILTER HOLE	A0	2

*Color Code (-)=Not Shown #=Series, Serial Prefix or Run No., N=Not Available

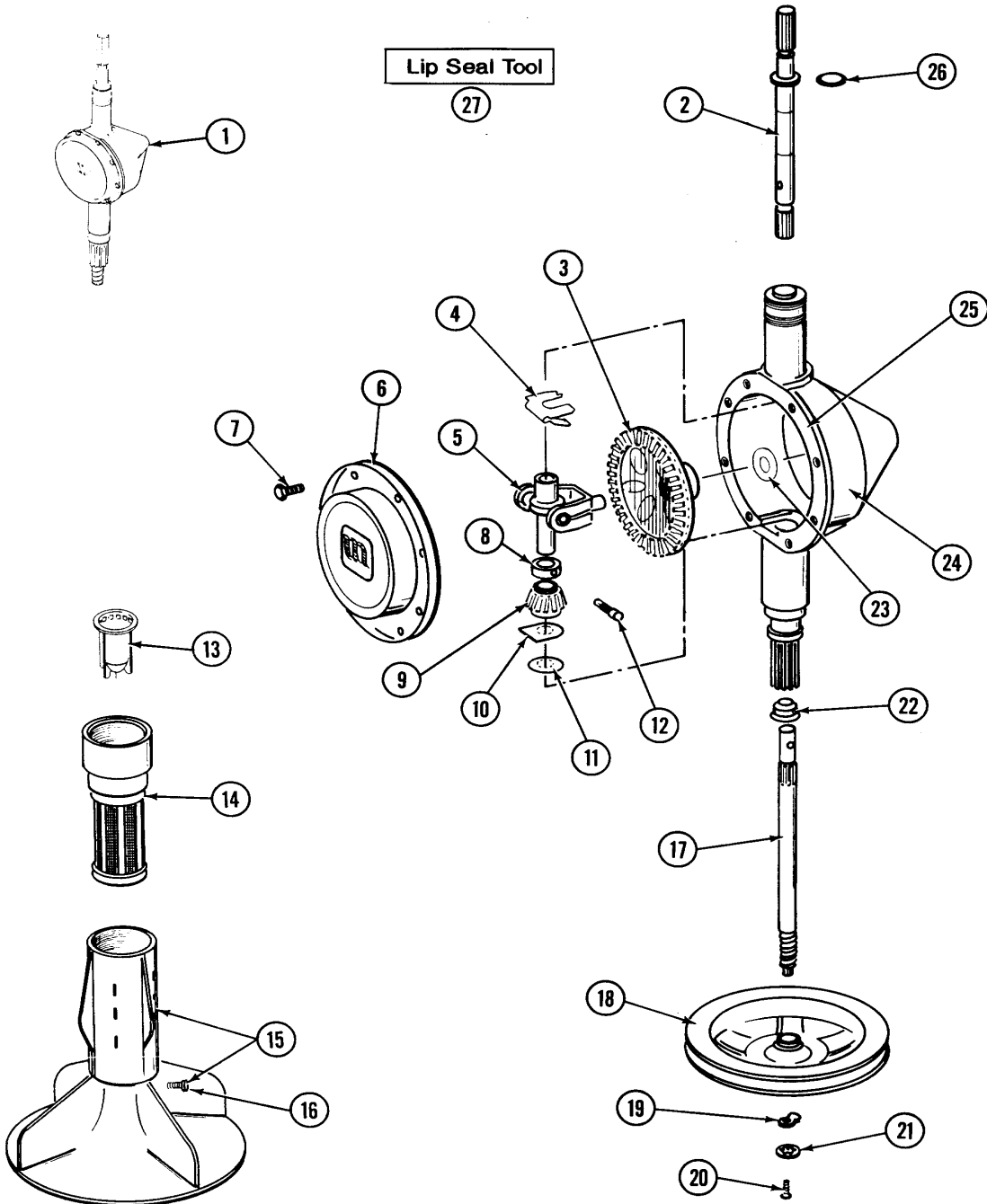
Section: TRANSMISSION

Model: A8120

SECTION: TRANSMISSION-ORBITAL

MODEL: A8120 A8210

P/N 16000168



Issue Date: 5/91

14

MA80F1

Section: TRANSMISSION

No.	Part No.	Description	Series	Qty
1	206708	TRANSMISSION	A0	1
2	207153	SHAFT, AGITATOR (W/SPRING)	A0	1
3	206713	GEAR, BEVEL	A0	1
4	215581	SPRING, AGITATOR SHAFT	A0	1
5	206685	BLOCK, TORQUE AND YOKE ASSEMBL	A0	1
6	206628	COVER, TRANSMISSION	A0	1
7	215417	SCREW, TRANSMISSION COVER	A0	8
8	215415	COLLAR, LOWER	A0	1
9	215401	PINION	A0	1
10	215395	PLATE, CLUTCH	A0	1
11	211483	WASHER, SPLINED	A0	1
12	206629	PIN, COLLAR	A0	1
13	215733	DISPENSING CUP Note: CUP, DISPENSING	A0	1
14	207427	LINT FILTER SHALLOW Note: FILTER, LINT (SHALLOW)	A0	1
15	207538	AGITATOR W/LOCK SCREW Note: AGITATOR (W/LOCK SCREW)	A0	1
16	206478	SCREW & WASHER FOR AGITATOR Note: SCREW & WASHER, AGITATOR	A0	1
17	N 215411	SHAFT, CENTER	A0	1
18	211059	PULLEY, DRIVE	A0	1
19	211089	LUG, STOP	A0	1
20	211375	SCREW,STOP LUG(CENTER SHAFT) Note: SCREW, STOP LUG (CENTER SHAFT)	A0	1
21	211090	WASHER, LOCK	A0	1
22	206602	SEAL, LIP (CENTER SHAFT)	A0	1
23	215394	WASHER, BEVEL GEAR	A0	1
24	206625	HOUSING, TRANSMISSION	A0	1
25	058700	SILASTIC,ADH.SEALANT Note: SILASTIC, ADHESIVE SEALANT	A0	1
26	210690	SEAL, RUBBER	A0	1
27	N 038228	LIP SEAL TOOL Note: TOOL, LIP SEAL	A0	1

*Color Code (-)=Not Shown #=Series, Serial Prefix or Run No., N=Not Available

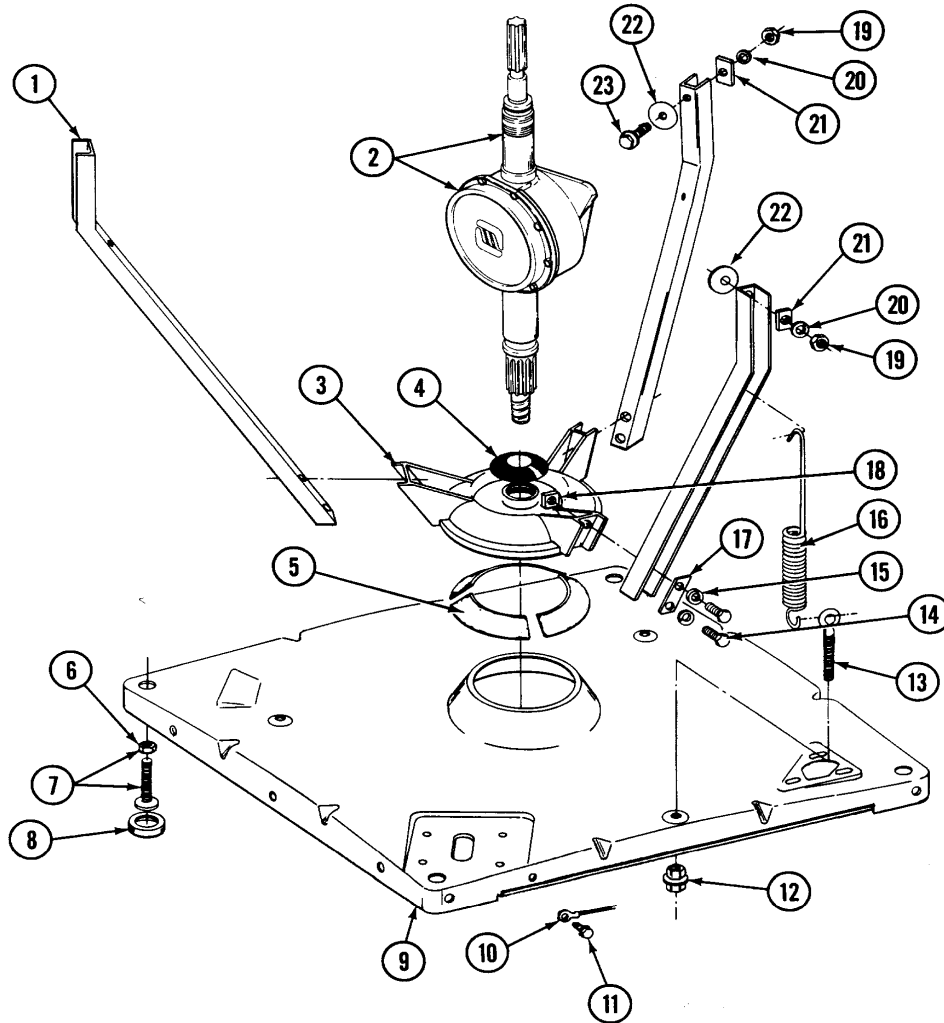
Section: BASE ASSEMBLY

Model: A8120

SECTION: BASE ASSEMBLY

MODEL: A8120 A8210

P/N 16000168



Issue Date: 5/91

16

MA80F3

Section: BASE ASSEMBLY

No.	Part No.	Description	Series	Qty
1	213100	BRACE, TUB	A0	3
2	206708	TRANSMISSION	A0	1
3	203725	DAMPER W/BOLT & CLIP Note: DAMPER (W/BOLT & CLIP)	A0	1
4	211028	DEFLECTOR,WATER (DRIVE TUBE) Note: DEFLECTOR, WATER	A0	1
5	203956	DAMPER PAD KIT (W/POLY LUBE) Note: DAMPER PAD KIT (W/POLY LUBE)	A0	1
6	210385	NUT, LOCK	A0	4
7	302699	LEG, ADJUSTABLE (W/NUT)	A0	4
8	210684	FOOT, RUBBER	A0	4
9	203274	BASE WITH DAMPER PADS Note: BASE (W/DAMPER PADS)	A0	1
10	204807	GRND.WIRE,SUPP.PLTE TO TOP CVR Note: GROUND WIRE, SUPPORT PLATE	A0	1
11	210186	SCREW, GROUND WIRE TO BASE--NA Note: SCREW, GROUND WIRE	A0	1
12	211949	NUT, EYEBOLT	A0	3
13	213120	EYE BOLT FOR CENTER SPRING Note: EYE BOLT, CENTER SPRING	A0	3
14	015627	SCREW, HEX HD CAP 5/16 X 5/8	A0	6
15	911852	WASHER, LOCK (BRACE)	A0	6
16	213054	CENTERING SPRING - 3 USED Note: SPRING, CENTERING	A0	3
17	213073	WASHER, DOUBLE Note: WASHER, DOUBLE	A0	3
18	052785	NUT,BRACE TO DAMPER Note: NUT, DAMPER BRACE	A0	6
19	052734	NUT Note: NUT, TUB BRACE	A0	3
20	054867	WASHER, LOCK	A0	3
21	212979	WASHER, TUB BRACE	A0	3
22	211100	WASHER, CUSHION	A0	3
23	200744	BOLT & GASKET ASSY.(SHORT) Note: BOLT & GASKET ASSEMBY (SHORT)	A0	1

*Color Code (-)=Not Shown #=Series, Serial Prefix or Run No., N=Not Available

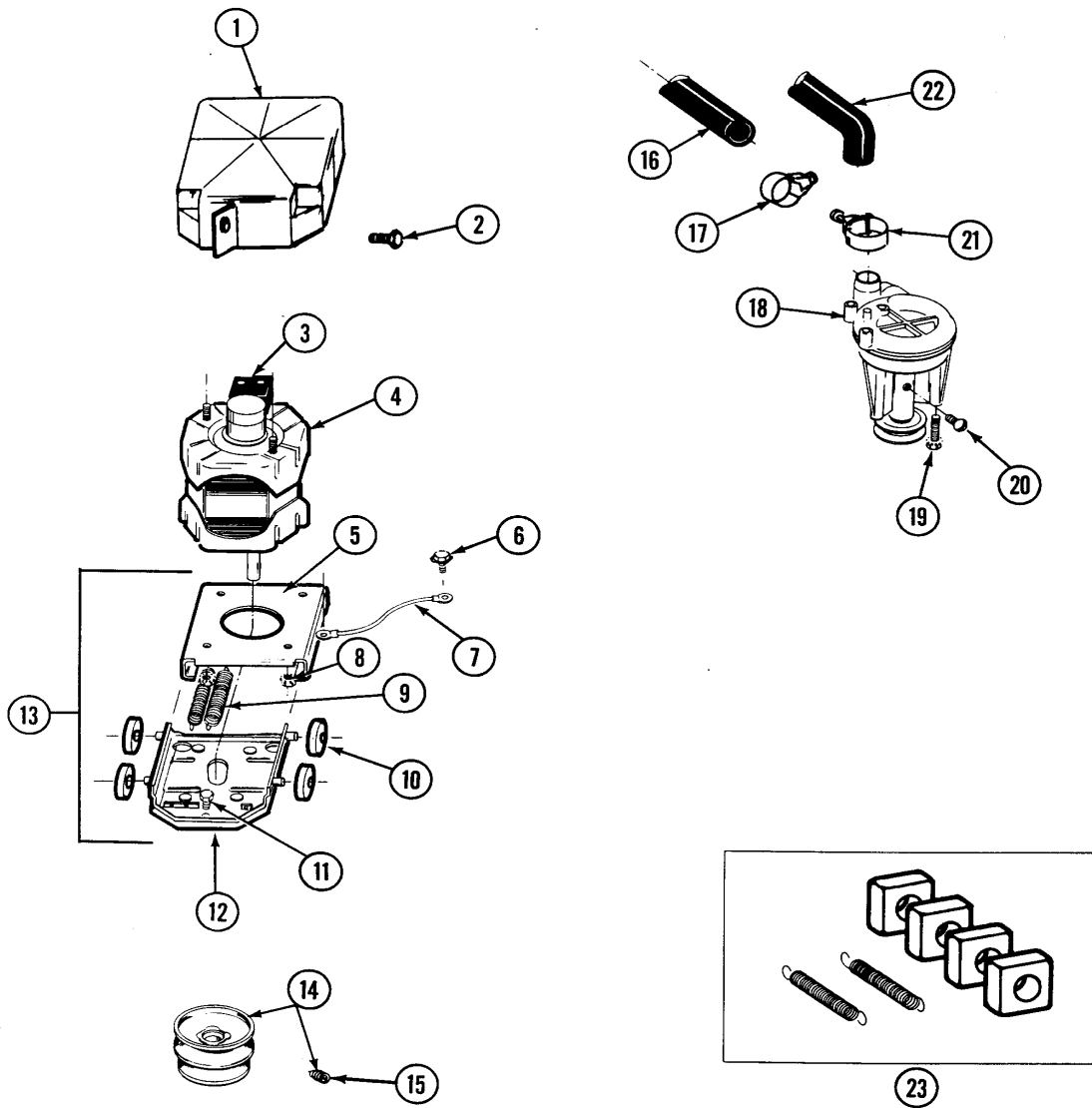
Section: MOTOR & PUMP ASSEMBLY

Model: A8120

SECTION: MOTOR & PUMP ASSEMBLY

MODEL: A8120 A8210

P/N 16000168



Issue Date: 5/91

18

MA80F5

Section: MOTOR & PUMP ASSEMBLY

No.	Part No.	Description	Series	Qty
1	215098	SHIELD, MOTOR	A0	1
2	213121	SCREW	A0	1
3	N 205133	MOTOR EXTERNAL START SWITCH Note: SWITCH, MOTOR EXTERNAL START	A0	1
3	205132	SWITCH, MOTOR START Note: SWITCH, MOTOR EXTERNAL START	A0	1
3	206505	SWITCH, MOTOR START Note: SWITCH, MOTOR EXTERNAL START	A0	1
4	201805	MOTOR (ONE SPEED)	A0	1
5	214956	MOUNT, MOTOR/UPPER Note: PLATE, MOTOR MOUNT (UPR)	A0	1
6	210186	SCREW, GROUND WIRE TO BASE--NA Note: SCREW, GROUND WIRE	A0	1
7	901220	WIRE, GROUND	A0	1
8	311426	NUT, WASHERED LOCK Note: KEPS NUT, MOTOR BASE	A0	4
9	202718	TENSION SPRINGS Note: SPRINGS, TENSION	A0	1
10	204998	GLIDE KIT (4 W/POLY LUBE) Note: GLIDE KIT (4 W/POLY LUBE)	A0	1
11	N 313561	SCREW---NA	A0	3
12	205908	LOWER MOTOR MOUNT Note: MOUNT, MOTOR (LWR)	A0	1
13	205999	MOTOR MOUNT ASSM COMPLETE Note: MOTOR MOUNT ASSY. (COMPLETE)	A0	1
14	200816	PULLEY, MOTOR (W/SET SCREW)	A0	1
15	053241	SET SCREW, PULLEY	A0	1
16	214767	HOSE,PUMP TO SIPHON BREAK Note: HOSE, PUMP	A0	1
17	200461	HOSE CLAMP - 1-5/8 INCH Note: CLAMP, HOSE (1-5/8 INCH)	A0	1
18	202203	PUMP AS PAK	A0	1
19	211880	SCREW, HEX HD #10 X 1/2 INC Note: SCREW, HEX HD (#10 X 1/2)	A0	3
20	015408	SCREW, BEARING INSERT	A0	1
21	202574	CLAMP, HOSE	A0	1
22	212989	HOSE, OUTER TUB TO PUMP Note: HOSE, OUTER TUB	A0	1
23	205000	GLIDE & SPRING KIT Note: GLIDE & SPRING KIT	A0	1

*Color Code (-)=Not Shown #=Series, Serial Prefix or Run No., N=Not Available

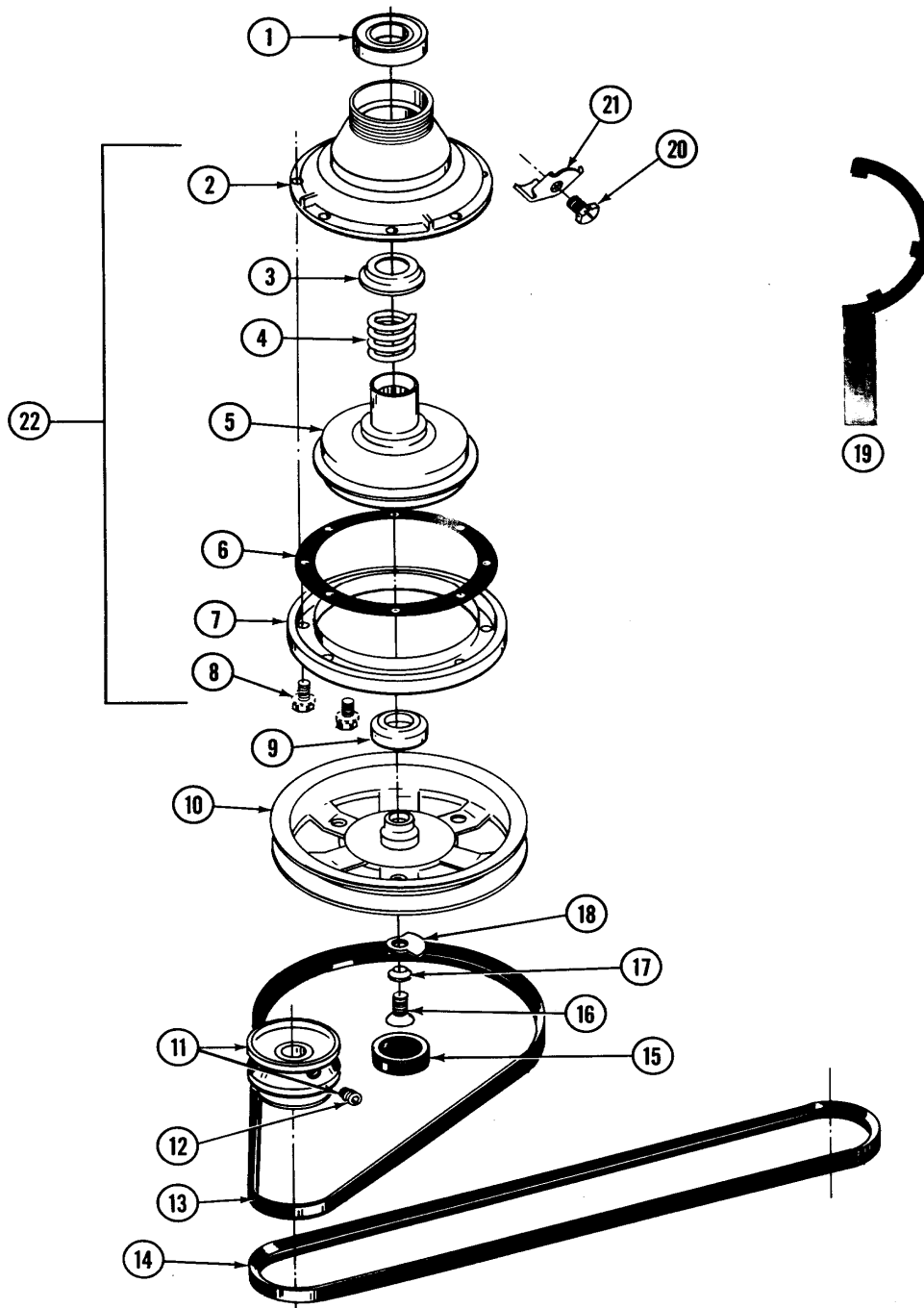
Section: CLUTCH, BRAKE & BELTS

Model: A8120

SECTION: CLUTCH, BRAKE & BELTS

MODEL: A8120 A8210

P/N 16000168



Issue Date: 5/91

20

MA80F7

Section: CLUTCH, BRAKE & BELTS

No.	Part No.	Description	Series	Qty
1	200720	BALL BEARING, RADIAL	A0	1
2	211045	HOUSING, BRAKE	A0	1
3	211039	RETAINER, BRAKE SPRING	A0	1
4	211041	SPRING, BRAKE	A0	1
5	201126	ROTOR, BRAKE (W/FACING)	A0	1
6	211042	GASKET, BRAKE DRUM	A0	1
7	211043	DRUM, BRAKE	A0	1
8	211000	SCREW,HEX HEAD (BRAKE DRUM) Note: SCREW, HEX HEAD (BRAKE DRUM)	A0	8
9	200835	BEARING, BRAKE ROTOR	A0	1
10	211059	PULLEY, DRIVE	A0	1
11	200816	PULLEY, MOTOR (W/SET SCREW)	A0	1
12	053241	SET SCREW, PULLEY	A0	1
13	211125	V BELT,DRIVE PULLEY Note: V BELT, DRIVE PULLEY	A0	1
14	211124	V BELT, PUMP	A0	1
15	N 211038	CAP, OIL RETAINER	A0	1
16	211375	SCREW,STOP LUG(CENTER SHAFT) Note: SCREW, STOP LUG (CENTER SHAFT)	A0	1
17	211090	WASHER, LOCK	A0	1
18	211089	LUG, STOP	A0	1
19	038315	TOOL, BRAKE PKG ASSY Note: TOOL, BRAKE PACKAGE ASSEMBLY	A0	1
20	213326	SCREW, RETAINING CLIP Note: BOLT, RETAINING CLIP	A0	1
21	213325	CLIP, RETAINER	A0	1
22	201190	BRAKE ASSEMBLY Note: PACKAGE, BRAKE	A0	1

*Color Code (-)=Not Shown #=Series, Serial Prefix or Run No., N=Not Available