

SERIAL # _____



GOURMET GRILLS

Award Winning Products

BUILT-IN UNIT INSTRUCTION GUIDE

Please use this manual in conjunction with your main manual to properly assemble your built-in grill. Refer to the main manual for operating, cleaning, and maintenance instructions. This grill is designed for **NON-COMBUSTIBLE** enclosures only, and must be installed and serviced by a qualified installer to local codes.

BUILT IN PROPANE GAS HOOK-UP: The piping up to the gas grill is the responsibility of the installer and piping should be located as shown in the built-in instructions. Do not use hose to connect the unit. It must be connected with either rigid pipe, copper tube or an approved flexible metal connector. The installation must comply with CAN B149.1 Natural Gas and Propane installation code in Canada, or to the National Fuel Gas code, ANSI Z223.1 in the United States. The minimum recommended piping size is NPS 1/2" for rigid pipe, and 1/2" OD for copper tubing (based on a 20 ft run). Longer runs may require larger sizes to conform with local codes or to conform with CAN B149.1. Propane Gas Installation Code in Canada or to the National Fuel Gas Code, ANSI Z223.1 in the United States. The gas supply must be connected to the 3/8" flare fitting located under the right hand side of the control panel. If installing a side burner, a separate line must be branched off to the side burner unit and enter the side burner opening at the specified location. If the enclosure is to house a propane cylinder, the tank portion of the enclosure must be ventilated according to local codes, and must not have communication with the cavity used to enclose the gas grill. A propane tank can not be stored below the gas grill.

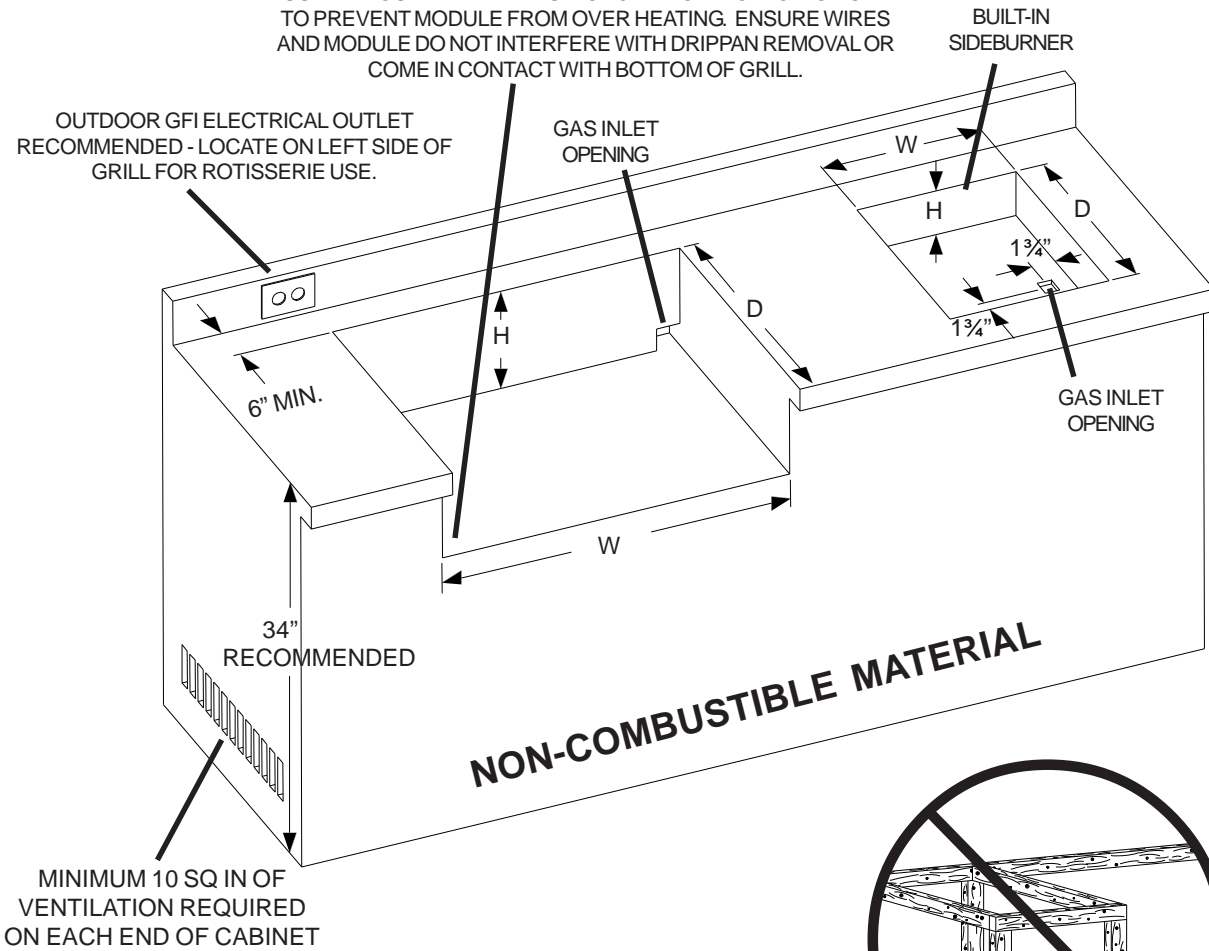
BUILT IN NATURAL GAS HOOK-UP: The piping up to the gas grill is the responsibility of the installer and piping should be located as shown in the built-in instructions. Do not use hose to connect the unit. It must be connected with either rigid pipe, copper tube or an approved flexible metal connector. The installation must comply with CAN B149.1 Natural Gas and Propane Installation Code in Canada, or to the National Fuel Gas Code, ANSI Z223.1 in the United States. The minimum recommended piping size is NPS 1/2" for rigid pipe, and 5/8" OD for copper tubing (based on a 20 ft run). Longer runs may require larger sizes to conform with local codes or to conform with CAN B149.1. Natural Gas Installation Code in Canada or to the National Fuel Gas Code, ANSI Z223.1 in the United States. The gas supply must be connected to the 3/8" flare fitting located under the right hand side of the control panel. If installing a side burner, a separate line must be branched off to the side burner unit and enter the side burner opening at the specified location.

Built in units are supplied with a drip pan which holds only a minimal amount of grease. To prevent grease fires, the pan must be cleaned after each use.

⚠ DANGER: READ ALL INSTRUCTIONS CAREFULLY BEFORE OPERATING GRILL. FAILURE TO FOLLOW THESE INSTRUCTIONS EXACTLY COULD RESULT IN A FIRE CAUSING SERIOUS INJURY OR DEATH.

BUILT-IN UNIT OPENING DIMENSIONS

A SMALL ACCESS HOLE IS REQUIRED TO RUN WIRE FROM LED (LIGHTS) DOWN INTO CAVITY OF CABINET. BATTERY PACK MUST BE MOUNTED A MINIMUM OF 8" BELOW BOTTOM OF GRILL TO PREVENT MODULE FROM OVER HEATING. ENSURE WIRES AND MODULE DO NOT INTERFERE WITH DRIPPAN REMOVAL OR COME IN CONTACT WITH BOTTOM OF GRILL.

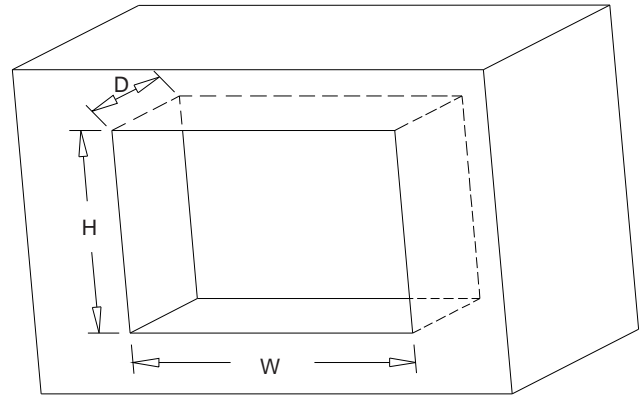


CABINET FRAME AND CABINET MUST BE MADE FROM NON-COMBUSTIBLE MATERIAL

MODEL	OPENING DIMENSIONS			NOTES
	W	D	H	
BIM485	29 3/4"	21 3/8"	7 1/2"	
BIM605	36 1/2"	21 3/8"	7 1/2"	
BIM730	43 1/4"	21 3/8"	7 1/2"	
SIDE BURNER	13 1/2"	17 1/2"	4"	Opening of at least 5 sq in must be provided for combustion air for side burner.

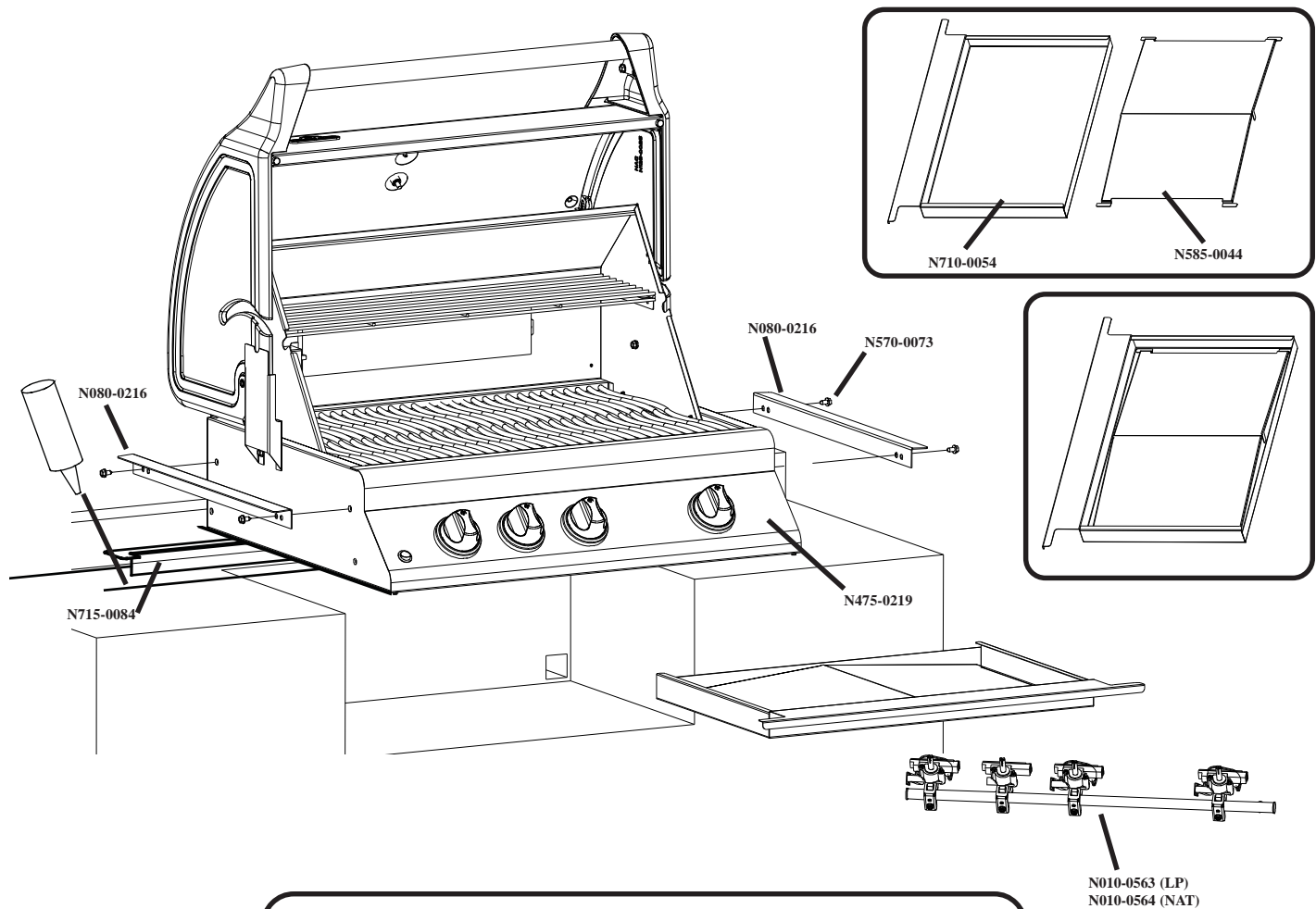
BUILT-IN ACCESSORY OPENING DIMENSIONS

NOTE: ACCESSORY FRAMES OVERLAP
OPENING BY 1 ½" ON ALL 4 SIDES



Part #	Description	Picture	OPENING DIMENSION		
			W	H	D
N370-0069	Flat vertical painted door		13 ¼"	18 ¼"	
N370-0071	Flat vertical stainless steel door		13 ¼"	18 ¼"	
N370-0070	Flat horizontal painted door		18 ¼"	13 ¼"	
N370-0072	Flat horizontal stainless steel door		18 ¼"	13 ¼"	
N370-0356SS	Curved stainless steel door - 308 size		22 ½"	19 ¾"	
N370-0357SS	Curved stainless steel door - 450 size		27"	19 ¾"	
N370-0358SS	Curved stainless steel double door - 600/750 size		35 ¼"	19"	
N370-0361	PF style stainless steel door		17"	23 ¼"	
N370-0359	PF style stainless steel single drawer		17 ¼"	6 ¾"	23"
N370-0360	PF style stainless steel triple drawer		17 ¼"	22 ¾"	23"

1. BIM485 BUILT-IN INSTRUCTIONS



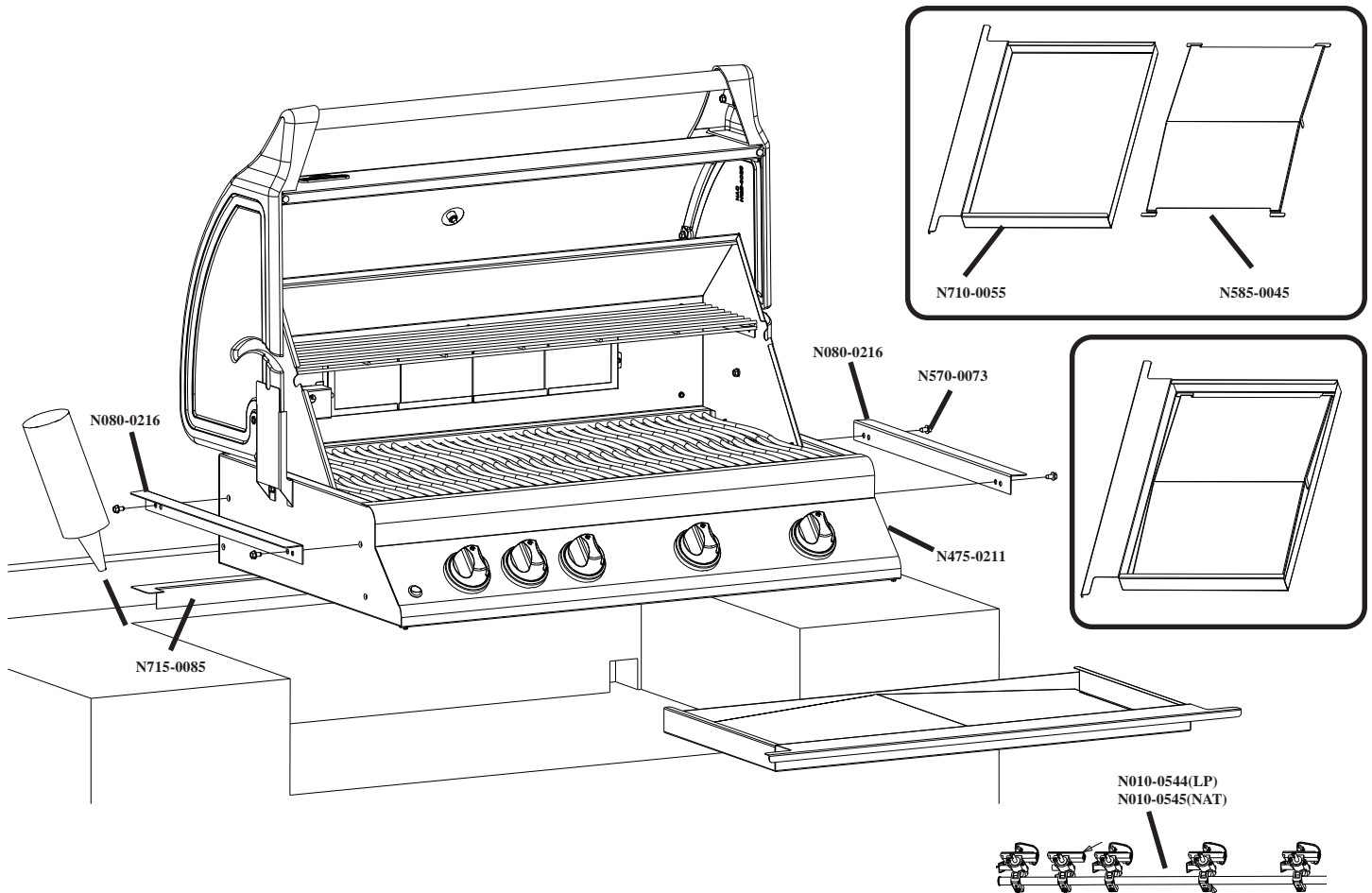
INSTALL BATTERY'S AS ILLUSTRATED. PLUG WIRE FROM LED (LIGHTS) LOCATED UNDERNEATH CONTROL PANEL INTO WIRE FROM BATTERY PACK. ENSURE WIRES DO NOT COME IN CONTACT WITH THE BOTTOM OF THE GRILL.

THE BATTERY PACK MODULE (LED LIGHTS) MUST BE MOUNTED INSIDE THE ENCLOSURE, AT LEAST 8 INCHES BELOW THE BOTTOM OF THE DRIPPAN, TO PREVENT THE MODULE FROM OVERHEATING. ENSURE WIRES AND MODULE DO NOT INTERFERE WITH DRIPPAN REMOVAL.

This grill is designed for **MASONRY, NON-COMBUSTIBLE** enclosures only, and must be installed and serviced by a qualified installer to local codes.

1. Attach side mounting brackets and side trim pieces to each side of the grill using 1/4-20 x 3/8" screws (n570-0073).
2. Fit heat shield into drip pan as illustrated.
3. Lay the rear trim piece across the back of the opening. To keep it in place, a dab of silicone may be applied to each wing of the rear trim.
4. Lower the unit in place, and connect the gas supply line to the fitting at the end of the manifold.
5. The entire installation must be leak tested before operating the unit.

2. BIM605 BUILT-IN INSTRUCTIONS



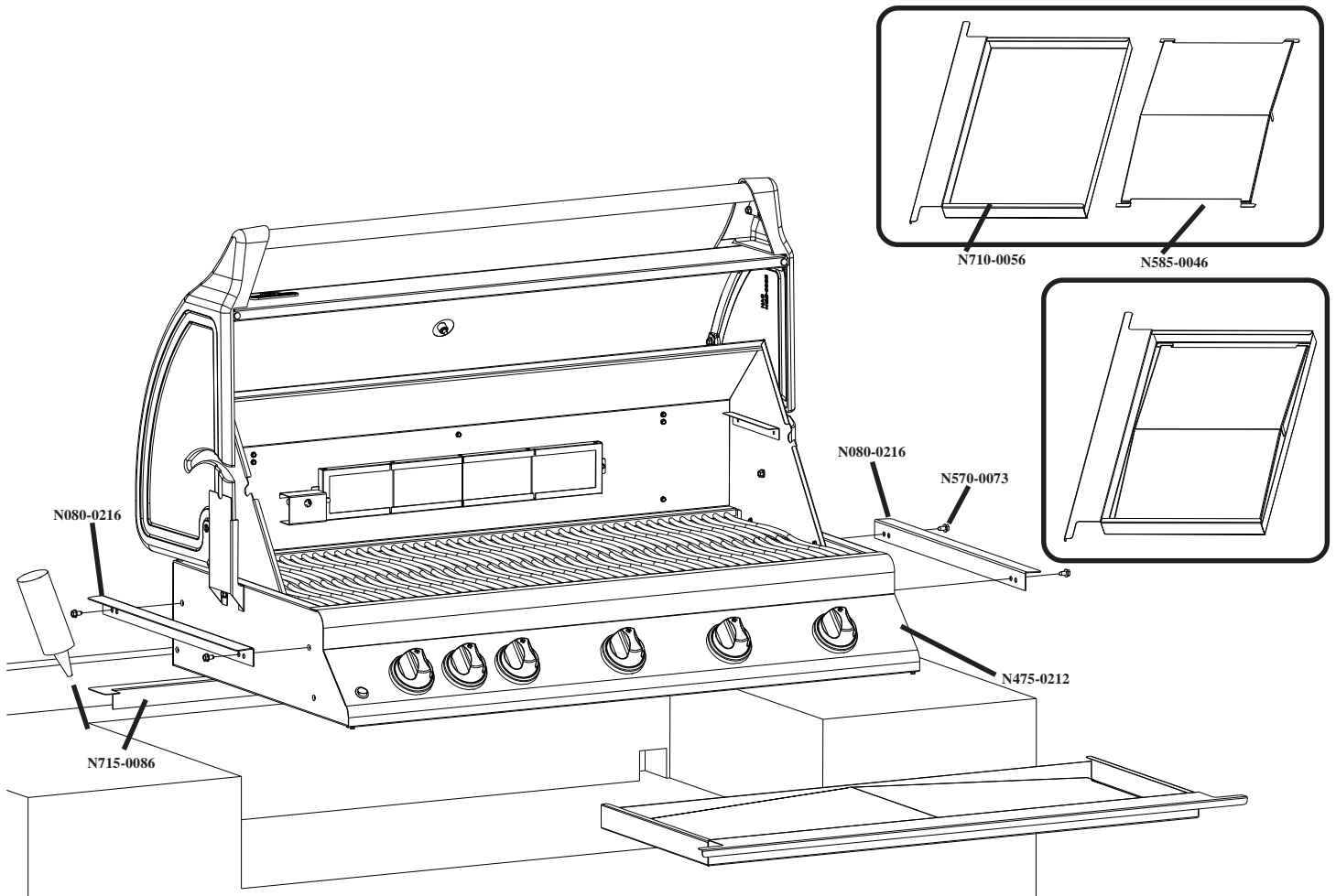
INSTALL BATTERY'S AS ILLUSTRATED. PLUG WIRE FROM LED (LIGHTS) LOCATED UNDERNEATH CONTROL PANEL INTO WIRE FROM BATTERY PACK. ENSURE WIRES DO NOT COME IN CONTACT WITH THE BOTTOM OF THE GRILL.

THE BATTERY PACK MODULE (LED LIGHTS) MUST BE MOUNTED INSIDE THE ENCLOSURE, AT LEAST 8 INCHES BELOW THE BOTTOM OF THE DRIPPAN, TO PREVENT THE MODULE FROM OVERHEATING. ENSURE WIRES AND MODULE DO NOT INTERFERE WITH DRIPPAN REMOVAL.

This grill is designed for **MASONRY, NON-COMBUSTIBLE** enclosures only, and must be installed and serviced by a qualified installer to local codes.

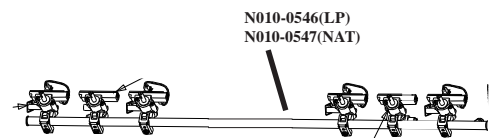
1. Attach side mounting brackets and side trim pieces to each side of the grill using 1/4-20 x 3/8" screws (n570-0073).
2. Fit heat shield into drip pan as illustrated.
3. Lay the rear trim piece across the back of the opening. To keep it in place, a dab of silicone may be applied to each wing of the rear trim.
4. Lower the unit in place, and connect the gas supply line to the fitting at the end of the manifold.
5. The entire installation must be leak tested before operating the unit.

3. BIM730 BUILT-IN INSTRUCTIONS



INSTALL BATTERY'S AS ILLUSTRATED. PLUG WIRE FROM LED (LIGHTS) LOCATED UNDERNEATH CONTROL PANEL INTO WIRE FROM BATTERY PACK. ENSURE WIRES DO NOT COME IN CONTACT WITH THE BOTTOM OF THE GRILL.

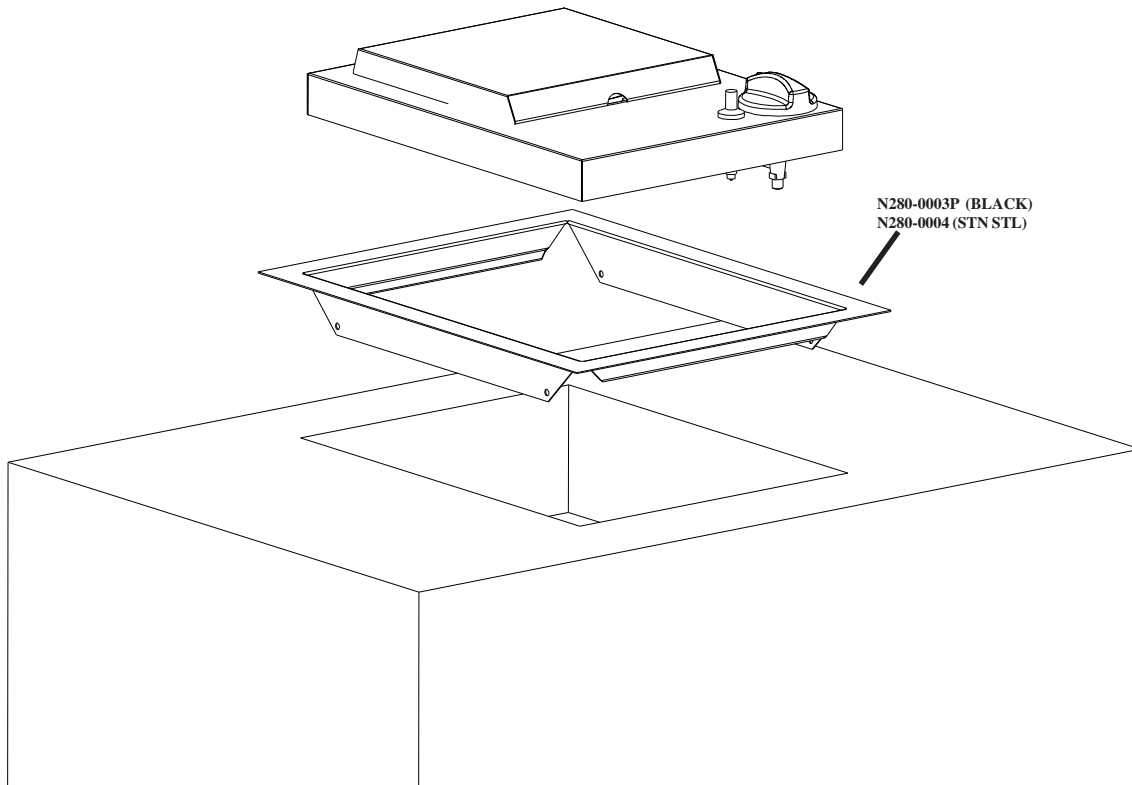
THE BATTERY PACK MODULE (LED LIGHTS) MUST BE MOUNTED INSIDE THE ENCLOSURE, AT LEAST 8 INCHES BELOW THE BOTTOM OF THE DRIPPAN, TO PREVENT THE MODULE FROM OVERHEATING. ENSURE WIRES AND MODULE DO NOT INTERFERE WITH DRIPPAN REMOVAL.



This grill is designed for **MASONRY, NON-COMBUSTIBLE** enclosures only, and must be installed and serviced by a qualified installer to local codes.

1. Attach side mounting brackets and side trim pieces to each side of the grill using 1/4-20 x 3/8" screws (n570-0073).
2. Fit heat shield into drip pan as illustrated.
3. Lay the rear trim piece across the back of the opening. To keep it in place, a dab of silicone may be applied to each wing of the rear trim.
4. Lower the unit in place, and connect the gas supply line to the fitting at the end of the manifold.
5. The entire installation must be leak tested before operating the unit.

4. BUILT-IN SIDE BURNER INSTRUCTIONS



1. Fit the side burner frame into the opening. The frame should be attached to the opening to prevent any future movement (fasteners not included).
2. Ensure that there is at least 5 sq in of opening in the bottom of the cut out, for combustion air.
3. Set the side burner into the frame.
4. Connect the gas supply to the side burner valve. Leak test the entire installation before operating the unit.

5. BUILT-IN ACCESSORY DRAWER INSTRUCTIONS

1. Unpack the drawer frame assembly.
2. Remove the drawers from the enclosure by fully extending them and then lifting up to remove them from the slides.
3. Shim the opening to ensure that the enclosure fits snugly into the opening. Ensure that the side shims are located at the same height as the enclosure mounting holes. The bottom of the opening may need to be shimmed as well to ensure that the front of the enclosure is plumb.
4. Once the enclosure is level and square, fasten into place. (Fasteners not included).
5. Re-install the drawers by tipping the back of the drawer down into the slide. Once the wheels are inserted into the slide, lower the front of the drawer until it is level, then push in. Note: if the enclosure is installed with shims that are too thick, the wheel will not engage into the slide. The shim thickness will need to be reduced.
6. Remove the protective coating from all remaining surfaces.

6. BUILT-IN ACCESSORY DOOR INSTRUCTIONS

1. Unpack the door and frame.
 - a. For the curved stainless steel doors, remove the door(s) from the frame by lifting the door while holding on to the pivot rod. This will allow the pivot rod to come out of the hole on the bottom of the frame. Once the pivot is removed from the bottom hole, the entire door can be dropped and removed from the frame.
 - b. For the PF style stainless steel door, the door needs to be removed by loosening the center philips screw on the hinge furthest away from the door. This will allow the hinge to separate.
2. Center the frame in the opening. Mark the location of the pivot holes, top and bottom. Remember on the PT600 double doors, there will be a pivot rod on both ends. The PF style doors do not have pivot rods. Once all pivot holes are marked, remove the frame and using a 3/8" drill bit, drill out the clearance holes for the pivot rod. These clearance holes should be at least 1/2" deep. After the holes are complete, you may once again center the frame in the opening. Starting with the hinged side, shim between the frame and side wall of the opening. Ensure the shims are close to the hinge on the PF style doors. When the frame side wall is plumb, fasten it to the cabinet with screws (not provided). Attach the other side of the frame in the same fashion, ensuring the frame is square.
3. Other than on the curved stainless steel double door kit, fasteners are not required on the top and bottom of the frame. The curved stainless steel double door frame must be fastened in the center both at the top and bottom.
4. Once the frame has been secured and checked for squareness, the door can be re-installed.
5. Remove the protective coating from all remaining surfaces.