

This Owner's Manual is provided and hosted by [Appliance Factory Parts](#).



# Napoleon PTH10PSS Owner's Manual

[Shop genuine replacement parts for Napoleon  
PTH10PSS](#)



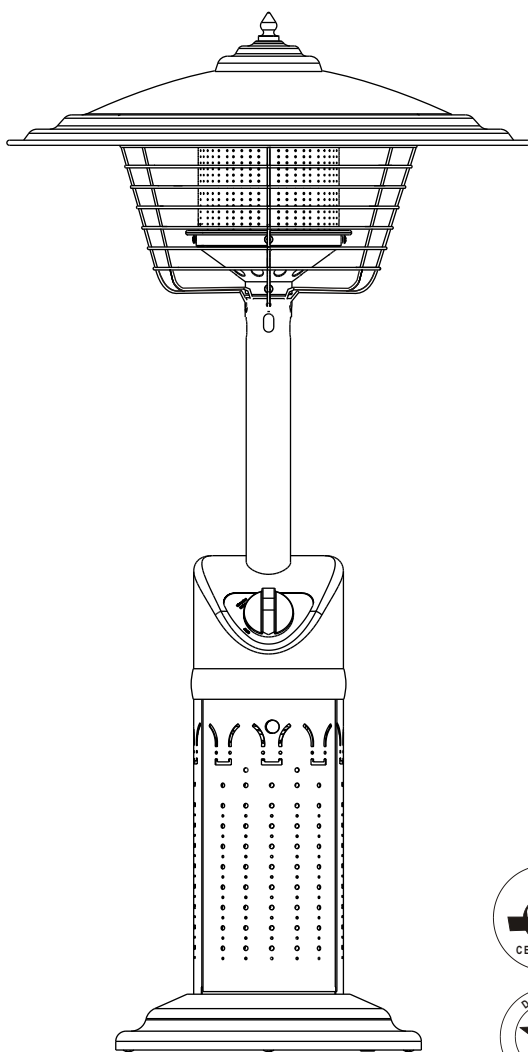
[Find Your Napoleon Patio Heater Parts - Select From 12 Models](#)

----- Manual continues below -----

# Tabletop Patio Heater

(FOR OUTDOOR USE ONLY)

PTH10PSS



**WARNING: For Outdoor Use Only.**

## FOR YOUR SAFETY

If you smell gas:

1. Shut off gas to the appliance.
2. Extinguish any open flame.
3. If odor continues, immediately call gas supplier.

## FOR YOUR SAFETY

Do not store or use gasoline or other flammable vapors or liquids in the vicinity of this or any other appliance.

**WARNING: Improper installation, adjustment, alteration, services or maintenance can cause injury, death or property damage. Read the installation, operating and maintenance instructions thoroughly before installing or servicing this equipment.**

**CAUTION: Retain the instructions for future use.**

 **DANGER**

### CARBON MONOXIDE HAZARD

This appliance can produce carbon monoxide which has no odor.

Using it in an enclosed space can kill you.

Never use this appliance in an enclosed space such as a camper, tent, car or home.



# Manual, Instructions & Parts List

## TOOLS AND PARTS NEEDED FOR ASSEMBLY

**WARNING:**

**For outdoor use only.**

**Cylinders to be used must be constructed and marked in accordance with USDOT specifications.**

**Storage indoors is permissible only if the cylinder is removed.**

**CAUTION:**

The minimum inlet gas supply pressure for the purpose of input adjustment is 8 inches water column.

The maximum inlet gas supply pressure is 13 inches water column.

The gas manifold supply pressure must be regulated at 11 inches water column utilising an approved regulator.

**Note: 1 Pound LPG Tank is not supplied**

**TOOLS NEEDED:**

Adjustable Opening Wrench, 8" Long

Philips Head Screwdriver

Leak Detection Solution ( Instructions how to make solution are included in Step 5 )

### Specification

Certification	CSA
Rated Heat Input	10000 BTU/HR
Fuel	Propane-LP
Gas Supply	16.4oz OR 20 Lb. LP-Gas cylinder
Manifold Pressure	11.0 inches W.C
Injector Size (diameter)	0.91mm
Safety Features	Flame failure device, Tilt switch & Oxygen Depletion Safety (ODS) pilot
Gas Supply Pressure	Max 150PSI, Min 5PSI

# PARTS LIST

- 1 1 Base
- 2 1 Housing
- 3 1 Burner Column
- 4 2 Emitter Screen Shield
- 5 1 Emitter Screen
- 6 1 Reflector Dome
- 7 1 Dome Cap
- 8 1 Decorative Dome Cap nut

- 9 7 # 8-32UNC Screw L=8 

- 10 7 # 8-32UNC Screw L=6 

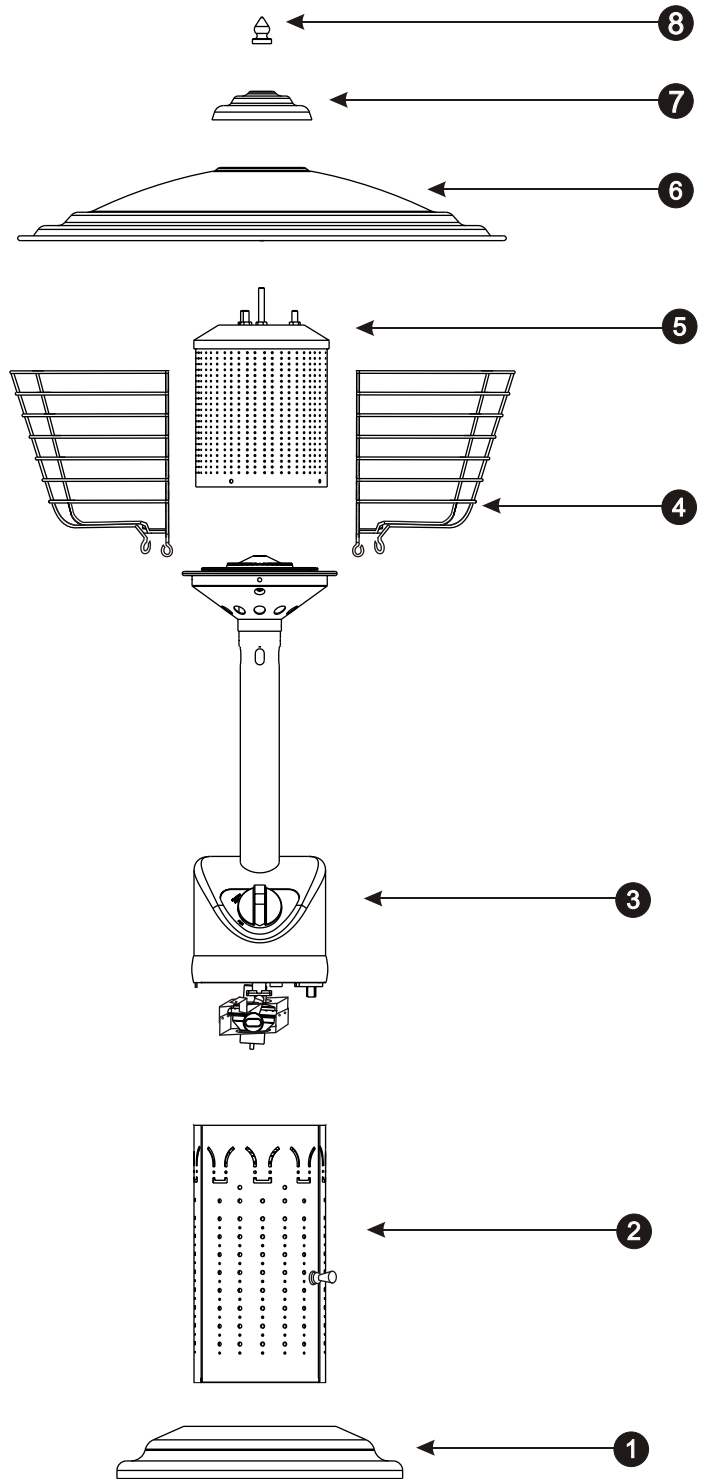
- 11 3 HEX NUT 

- 12 6 WASHER 

- 13 1 HOSE ASSY (not supplied) 

- 14 1 STRETCH LINE (not supplied) 

The fasteners used comply with ANSI/BL.1



**Save these instructions! Retain in a safe place for future reference.**

## NOTE: PLEASE READ THE FOLLOWING SAFETY RULES

### WARNING

This appliance must only be used outdoors. Using this product in an enclosed area may cause injury, death or property damage.

Read the instructions before use. This appliance must be installed in accordance with such regulations as are in force.

Do not use the heater in an explosive atmosphere. Keep the heater away from areas where gasoline or other flammable liquids or vapors are stored.

Prior to use, check for damaged parts such as hoses, regulators, pilot or burner.

The installation of fixed appliances shall only be carried out by competent persons and be in accordance with the relevant Codes of Practice.

**Warning:** This appliance requires a gas hose and regulator, check with your gas supplier and/or product supplier. Regularly check the gas hose and if necessary, replace the gas hose.

**DISCONNECT LPG** bottle before moving the heater.

Do not attempt to alter unit in any manner.

**EXAMPLE:** using the heater without the top canopy reflector or radiant screen.

Do not shorten the burner post assembly.

The appliance shall not be used in basements or below ground level.

It must always be placed on a solid and level surface.

Always assure there is ample fresh air ventilation.

For outdoor use ONLY.

Never replace or substitute the regulator with any regulator other than the factory suggested replacement.

Do not clean the heater with cleaners that are combustible or corrosive.

Do not paint radiant screen, control panel or top canopy reflector.

All leak tests should be done with a soapy solution. NEVER USE AN OPEN FLAME TO CHECK FOR LEAKS.

The **LP** gas cylinder should be turned off when the heater is not in use.

At least once a year, the unit should be inspected for the presence of spiders, spider webs or other insects. Check the heater immediately if any of the following exist:

1. The smell of gas in conjunction with extreme yellow colored tips of the burner flames.
2. The heater does not reach temperature.
3. The burner makes popping noise during use (a slight popping noise is normal when the burner is extinguished after using).

The propane hose with regulator assembly shall be located out of pathways where people may trip over it or in areas where the hose will not be subject to accidental damage.

Children and adults should be aware of the hazards of high surface temperature and shall stay away to avoid clothing burn or ignition.

Young children should be carefully supervised when they are in the area of the heater.

Clothing or other flammable material should not be hung from the heater, or placed on or near the heater

Any guard or other protective device removed for servicing the heater must be replaced prior to operating the heater.

Installation and repair should be done by a qualified service person. The heater should be inspected before use and cleaning may be required at least once a year, or as necessary. It is imperative that control compartment, burner and circulating air passageways of the heater be kept clean.

Keep the appliance area clear of combustible materials such as gasoline and other flammable vapors and liquids.

Do not obstruct the flow of combustion and ventilation air.

Keep the ventilation opening of the cylinder enclosure free and clear of debris.

## NOTE: PLEASE READ THE FOLLOWING SAFETY RULES

### WARNING:

The hose assembly should be properly located out of pathways where people may trip over it.

The hose must be protected from contact with hot or sharp surfaces both during use and while in storage.

The hose assembly should be **visually inspected** prior to each use of the heater.

The hose assembly should be **visually inspected** during use.

**At least once a year, the entire hose assembly should be inspected.**

If excessive abrasion or wear is evident, or the hose is cut, it must be replaced prior to operating the heater.

The replacement hose assembly may be **obtained from the manufacturer.**

**DO NOT** use any pressure regulator or hose assembly other than those supplied with the appliance.

Replacement pressure regulator and hose assembly must be those specified.

Replacement parts may be obtained from the manufacturer or your local sales representative.

The valve outlet must be maintained in good condition. When the cylinder is not in use, be sure to cover it with dust cap.

All gas connection should be checked for leaks utilising a soap solution.

**Never** use a flame for this purpose.

A leak test should be performed with soapy water **whenever** connecting a new cylinder.

**Never** use a match to test for leaks.

If disassembly is required, a leak test should be performed with soapy water upon re-assembly.

This heater is designed to operate with a standard 1 LBs propane cylinder with Approved Cylinder Connection.

The gas **manifold** supply pressure must be regulated at 11 inches water column utilising an approved regulator.

The minimum inlet gas supply pressure for the purpose of input adjustment is 8 inches water column. The maximum inlet gas supply pressure is 13 inches water column.

LP-gas supply cylinder is not provided with the appliance, statements that

(1) the cylinder must be provided with a shut off valve terminating in an LP-gas supply cylinder valve outlet specified, as applicable, for connection No. 510 in the standard for compressed gas cylinder valve outlet and inlet connections, ANSI/CGA-V-1, or connection No. 600 in the compressed gas association's limited standard cylinder valve outlet connection for propane-small valve series.

(2) the cylinder supply system must be arranged for vapor withdrawal;

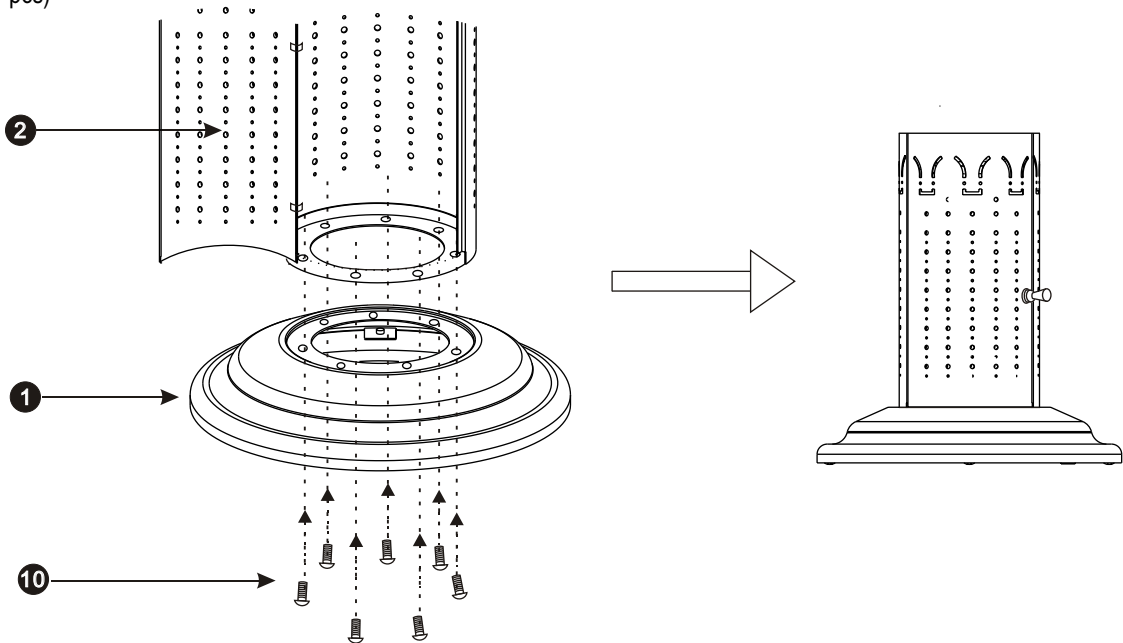
(3) the cylinder used must include a collar to protect the cylinder valve.

if a connection No. 600 is used a statement that only cylinders marked "propane" must be used.

**WARNING : TO BE INSTALLED ONLY BY AN AUTHORISED PERSON**

## Step 1 ---- Attach Heater assembly to Base

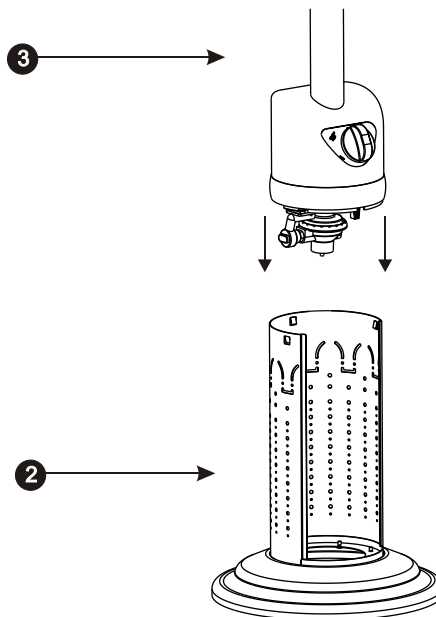
Attach heater assembly to base using  
# 8-32 UNC L=6 (7 pcs)



## Step 2 ---- Attach the Burner Column to the Housing

Insert the clamp (3pcs) of the Burner Column  
into the spring piece (3 pcs) of Housing  
per the picture and screw over.

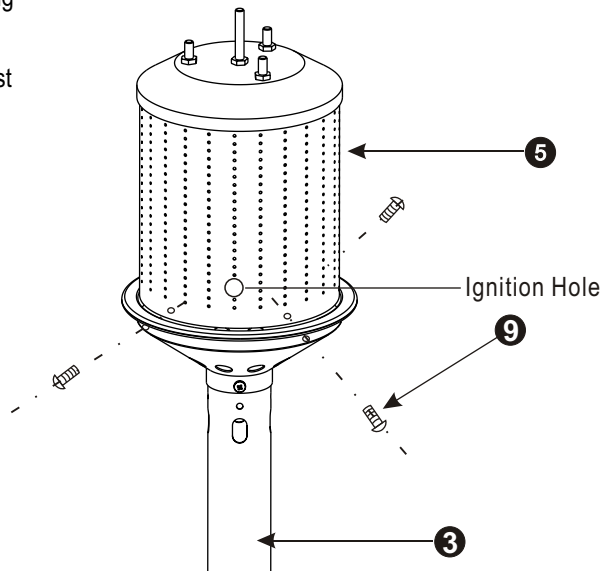
Make sure the clamp and the spring piece fit together.



### Step 3 ---- Attach Emitter Screen to Burner Column.

Attach Emitter Screen to Burner Column using # 8-32 UNC L=8 (3 pcs)

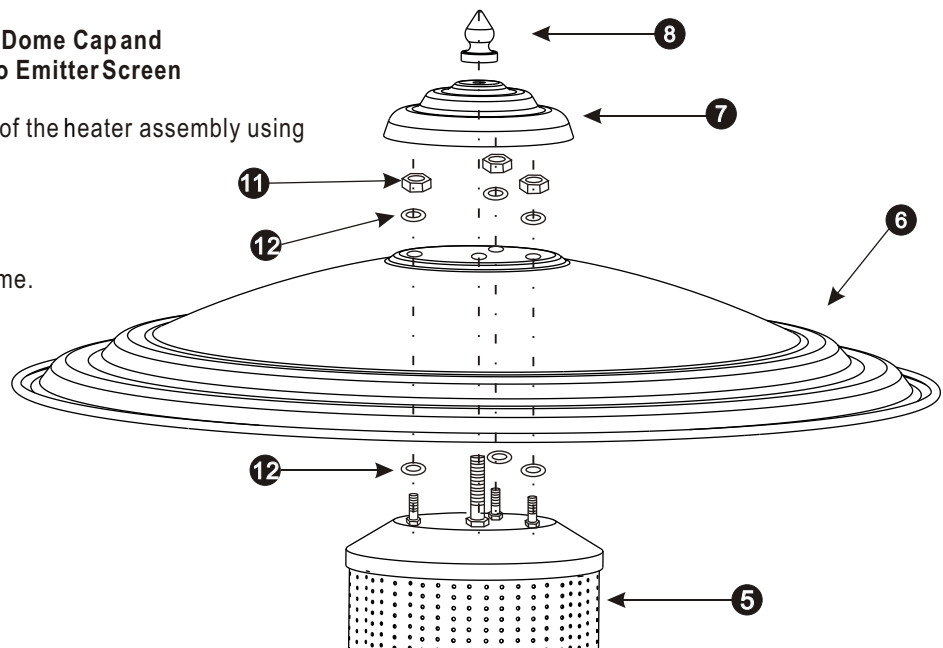
**Note:** The ignition hole on emitter screen must line to the control knob.



### Step 4 ---- Attach Reflector Dome and Dome Cap and Decorative Dome Cap Nut to Emitter Screen

Attach reflector dome to emitter screen of the heater assembly using 1/4-20 UNC washers (6 pcs) and 1/4-20 UNC nuts (3 pcs).

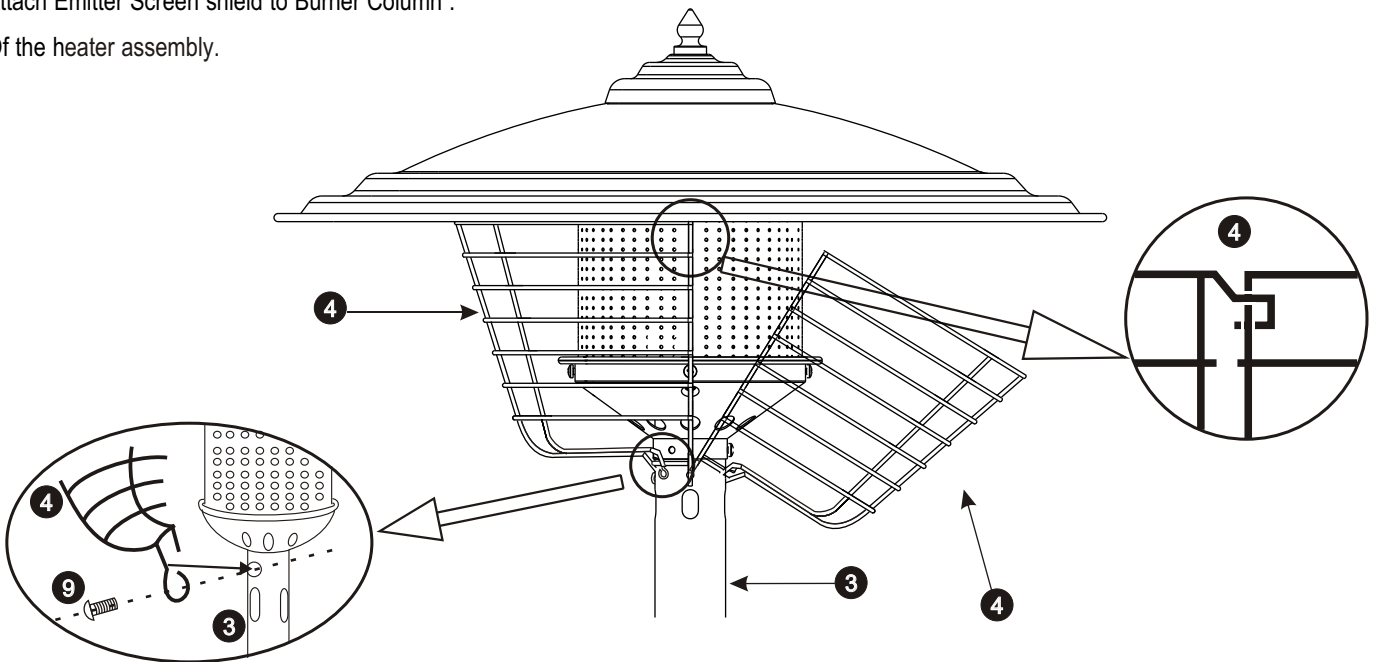
Then attach dome cap and decorative dome cap nut to reflector dome.



**WARNING : TO BE INSTALLED ONLY BY AN AUTHORISED PERSON**

## Step 5 ---- Attach Emitter Screenshield to Burner Column

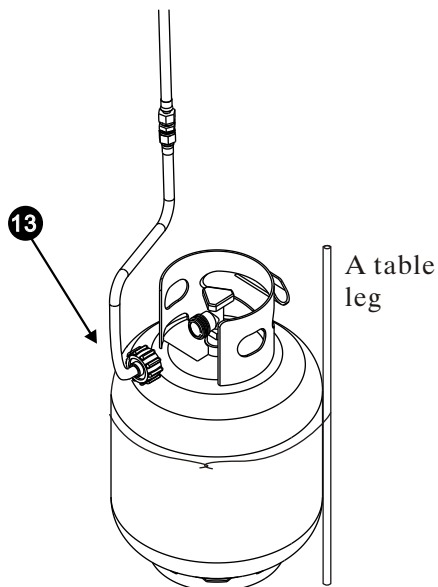
Attach Emitter Screen shield to Burner Column .  
Of the heater assembly.



## Step 6 ---- Connect Gas Hose, Regulator and Cylinder

Attach gas hose to regulator.  
Attach regulator to cylinder.

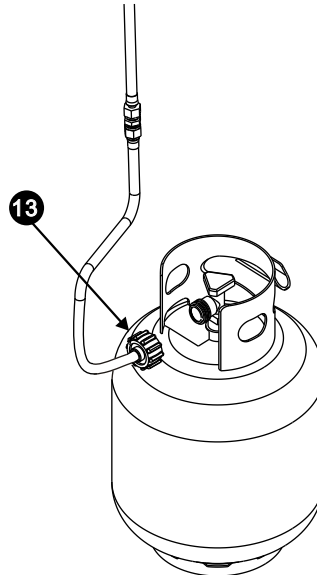
1. Can connect to 1LB portable cylinder directly.  
Such as coleman 1LB cylinder.
2. Can also connect to 20 LB cylinder with regulator.  
20 LB cylinder must binding to a table leg with  
a provided stretchline.



**WARNING : TO BE INSTALLED ONLY BY AN AUTHORISED PERSON****Step 7 ---- Check for leak**

Your Patio Heater has been checked at all factory connections for leaks, To check the Connection of the gas hose/regulator/cylinder.

- 1) Make leak solution by mixing 1 part liquid dish soap and 3 parts water.
- 2) Spoon several drops (or use squirt bottle) of the solution onto the gas hose/regulator and regulator/cylinder connection.
- 3) Inspect the connections and look for bubbles.
- 4) If no bubbles appear, the connection is safe.
- 5) If bubble appear, there is leak, loosen and re-tighten this connection.

**Step 8---- Disconnect Cylinder  
When Storing or Transporting**

- 1). Turn off the heater
- 2). Turn off the valve of the cylinder.
- 3). Loosen the screw of cylinder and regulator.
- 4). Disconnect the cylinder from regulator.

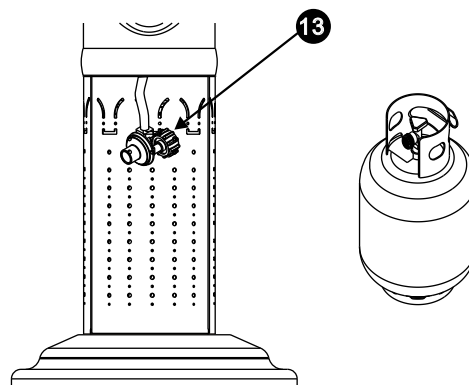
**Caution:**

A leak test should be performed with soapy water **whenever** connecting a new cylinder.

**Never** use a match to test for leaks.

If disassembly is required, a leak test should be performed with soapy water upon re-assembly.

**Never** use a match to test for leaks.



This product is equipped with ODS (Oxygen Deprivation System)

**WARNING:** DONOT attempt to operate heater until you have read and understand all precautions. Failure to do so can result in serious personal injury, death or property damage.

### Before Turning Gas Supply ON

Your heater was designed and approved for OUTDOOR USE ONLY. Do NOT use it inside a building, or any other enclosed area.

Make sure surrounding areas are free of combustible materials, gasoline and other flammable vapors or liquids.

Ensure that there is no obstruction to air ventilation.

Be sure all gas connections are tight and there are no leaks.

Be sure the access panel is clear of debris.

Be sure any component removed during assembly or servicing is replaced and fastened prior to starting.

### Before Lighting

Heater should be thoroughly inspected before each use, and by a qualified service person at least annually.

If relighting a hot heater, always wait at least 5 minutes.

Our heater is tested for quality assurance.

Ignition attempts should succeed 8 out of 10 attempts.

### Lighting Instruction

1. Turn control knob clockwise to "OFF" position.
2. Open base assembly door.
3. Turn gas supply "ON" by connecting propane cylinder to regulator inlet. Check for leaks by applying soap solution to cylinder and regulator connection.
4. Push in gas control knob slightly and turn counterclockwise to "IGN/ON". This will light the burner. If needed, keep depressing and turn control knob counterclockwise until the burner lights.
5. Keep the control knob depressed or at least 30 seconds after lighting burner. After 30 seconds release the control knob.
6. If burner does not stay lit, repeat steps 4 & 5.
7. When burner is lit, turn gas control knob counterclockwise to desired higher setting.
8. Close base assembly door.

**Note:** The flame pattern at the emitter grid should be visually checked whenever heater is operated. Normally the burner flame is blue, but little yellow flame is acceptable.

If flames extend beyond surface of the emitter grid, or the phenomena of flame lift or light back, or black spot is accumulating on the emitter grid or reflector, the heater should be turned off immediately. The heater should not be operated again until the unit is serviced and or repaired.

If you experience any ignition problem, turn off the heater and gas supply, and consult "Troubleshooting" on page 14.

### WARNING

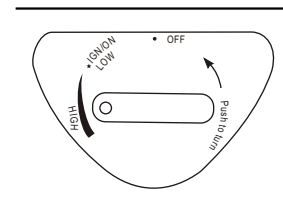
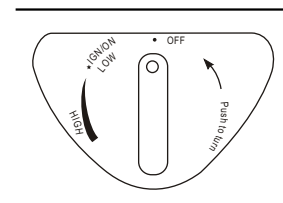
#### FOR YOUR SAFETY:

If at anytime you are unable to light burner and smell gas, wait 5 minutes to allow gas to dissipate before attempting to light heater. If, after 1 minute, you are unable to light burner, wait 5 minutes and allow flammable vapors to dissipate before attempting to light heater again.

### WARNING

#### FOR YOUR SAFETY:

**DO NOT** touch or move heater for at least 45 minutes after use. Allow emitter and dome to cool before touching.



**CAUTION :** Avoid inhaling fumes emitted from the heater's first use. Smoke and odor from the burning of oils used in manufacturing will appear. Both smoke and odor will dissipate after approximately 30 minutes. The heater should NOT produce thick black smoke.

**NOTE:**

The burner maybe noisy when initially turned on. To eliminate excessive noise from the burner, turn the Control Knob to the "LOW" position. Then, turn the knob to the level of heat desired.

**Warning:** White smoke may appear around the radiant head during the first minutes of the initial firing.

**When heater is ON:**

Emitter screen will become bright red due to intense heat. The color is more visible at night. Burner will display tongues of blue flame. These flames should not be yellow or produce thick black smoke, indicating an obstruction of airflow through the burners.

**Operation Pressure Checked**

If the flame is very small, this is because the supply pressure is not enough.

**RELIGHT**

- 1) Turn the control knob to "OFF" position.
- 2) Wait five (5) minutes before attempting to relight pilot.
- 3) Repeat steps beginning with step 2 above.

**Before Leaving**

- 1) Turn the control knob to "OFF" position and Turn LP cylinder to "OFF" position.
- 2) Never leave the table-top patio heater unattended while in use.

**SHUT DOWN INSTRUCTIONS**

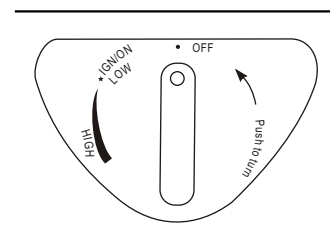
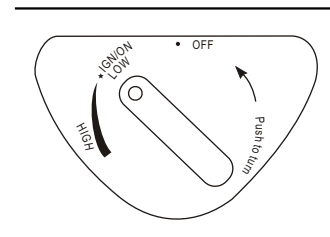
- 1) Push in and turn control knob clockwise to "OFF" position.
- 2) Turn L.P. tank gas valve clockwise to "OFF" position when heater is not in use

**Note:** After use, some discoloration of the emitter screen is normal.

**The Event of Gas Leakage**

- 1) Turn the control knob to "OFF" position.
- 2) Turn LP cylinder to "OFF" position.
- 3) Wait 5 minutes to allow gas to dissipate.
- 4) If odor continues, immediately call gas supplier.

**WARNING :** Heater will be hot after use.  
Handle with extreme care.



## LOCATING HEADER FOR USE

**BE CAREFUL: WHEN CERTAIN MATERIALS OR ITEMS ARE LEFT, ABOVE, BESIDE OR UNDER THIS HEATER WHILE IN USE, THEY WILL BE SUBJECT TO RADIANT HEAT AND COULD BE SERIOUSLY DAMAGED.**

This heater is primarily used for the heating of outdoor patios, decks, spas, pool and open working areas.

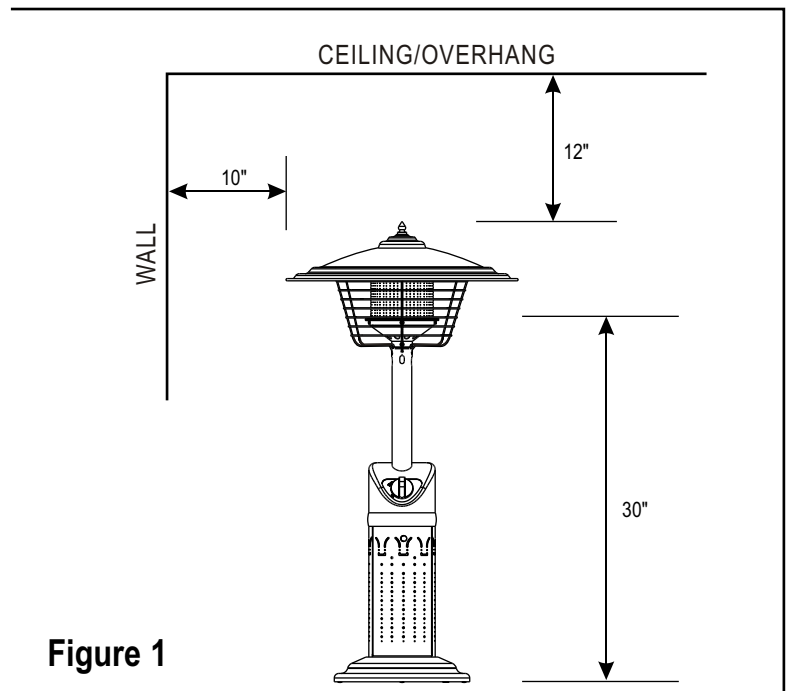
Always make sure that adequate fresh air ventilation is provided. Follow the spacing tolerances shown in Figure 1.

The minimum clearances, shown in Figure 1, must be maintained at all times.

The installation must conform to local codes, or in the absence of local codes, with the standard for the storage and handling of liquid petroleum gases, ANSI/NFPA 58-1986, or most recent addition. For Canada, with the current CAN1-B149.

This heater must be placed on level, firm ground.

Never operate in an explosive atmosphere. Keep away from areas where gasoline or other flammable liquids or vapors are stored or used.



**Figure 1**

### MAINTENANCE :

To enjoy years of outstanding performance from your heater make sure you perform the following maintenance activities on a regular basis:

- Keep exterior surfaces clean.
  - Use warm soapy water for cleaning. Never use flammable or corrosive cleaning agents.
  - While washing your unit, be sure to keep the area around the burner and pilot assembly dry at all times. If the gas control is exposed to water in anyway, do NOT try to use it. It must be replaced.
- Air flow must be unobstructed. Keep controls, burner, and circulating air passageways clean. Signs of possible blockage include:
  - Gas odor with extreme yellow tipping of flame.
  - Heater does NOT reach the desired temperature.
  - Heater glow is excessively uneven.
  - Heater makes popping noises.
- Spiders and insects can nest in burner or orifices. This dangerous condition can damage heater and render it unsafe for use. Clean burner holes by using a heavy-duty pipe cleaner. Compressed air may help clear away smaller particles.
- Carbon deposits may create a fire hazard. Clean dome and engine with warm soapy water if any carbon deposits develop.

### STORAGE :

#### Between uses:

- Turn the control knob to "OFF" position.
- Turn LP cylinder to "OFF" position.
- Store heater upright in an area sheltered from direct contact with inclement weather (such as rain, sleet, hail, snow, dust and debris).
- If desired, cover heater to protect exterior surfaces and to help prevent debris in air passages.

#### During periods of extended inactivity or when transporting;

- Turn the control knob to "OFF" position.
- Disconnect LP Cylinder and move to a secure, well-ventilated location outdoors. **Do NOT** store in a location that will exceed 125 degrees F.
- The propane cylinder must be stored outdoors in well-ventilated area, and it must be out of reach of children, and not in a building, garage or any other enclosed area.
- Store heater upright in an area sheltered from direct contact with inclement weather (such as rain, sleet, hail, snow, dust and debris). If desired, cover heater to protect exterior surfaces and to help prevent debris in air passages.

### WARNING

#### FOR YOUR SAFETY :

**DO NOT touch or move heater for at least 45 minutes after use.**

**Allow all burner elements to cool before touching.**

### NOTE

**In a salt-air environment (such as near an ocean), corrosion occurs more quickly than normal. Frequently check for corroded areas and repair them promptly.**

### NOTE

**Wait until heater is cool before covering.**

## TROUBLESHOOTING

<b>PROBLEM</b>	<b>PROBABLE CAUSE</b>	<b>SOLUTION</b>
Pilot will not light	Gas valve may be OFF	Turn the gas valve ON
	Fuel Tank empty	Refill LP gas tank
	Orifice blocked	Clean or replace Orifice
	Air in supply system	Purge air from lines
	Loose connection	Check all fittings
Pilot will not stay on	Debris around pilot	Clean dirty area
	Loose connection	Tighten connection
	Thermocouple bad	Replace Thermocouple
	Gas leak in line	Check connections
	Lack of fuel pressure	Fuel tank is near empty
Burner will not light	Pressure is low	Fuel tank is near empty
	Orifice blocked	Remove, clean and replace
	Control Valve not ON	Turn valve to ON
	Thermocouple bad	Replace Thermocouple
	Pilot light assembly bent or not in correct location	Place pilot in proper position and retry