

This Owner's Manual is provided and hosted by [Appliance Factory Parts](#).



# LG WM3875HWCA Owner's Manual

[Shop genuine replacement parts for LG WM3875HWCA](#)



[Find Your LG Washer Parts - Select From 393 Models](#)

----- Manual continues below -----



Website : <http://biz.lgservice.com>

# WASHING MACHINE SERVICE MANUAL

## **▲ CAUTION**

READ THIS MANUAL CAREFULLY TO DIAGNOSE  
PROBLEMS CORRECTLY BEFORE SERVICING THE UNIT.

**MODEL: WM3885H\*CA / WM3875H\*CA**



OCT. 2009 PRINTED IN KOREA

P/No.: MFL30599154

---

# CONTENTS

1. Specifications .....	5
2. Features and Technical Explanation .....	6-8
3. Parts Identification .....	9
4. Installation and Test .....	10-12
5. Operation .....	13-19
5-1. Control Panel Features .....	13-15
5-2. Cycle Guide .....	16
5-3. Special Functions .....	17
5-4. Explanation of Each Process .....	18-19
6. Wiring Diagram / Program Chart .....	20-21
7. Test Mode .....	22
7-1. Safety Caution .....	22
7-2. Load Test Mode .....	22
7-3. How To Read the Display in Load Test Mode .....	23
7-4. How To Check the Water Level Frequency and Vibration Sensor Error .....	23
8. Troubleshooting .....	24-39
8-1. Safety Caution .....	24
8-2. Error Mode Summary .....	24-25
8-3. Troubleshooting Summary .....	26
8-4. Troubleshooting With Error .....	27-33
8-5. Troubleshooting Else .....	34-39
9. Component Testing Information .....	40-54
9-1. Filter Assembly (Line Filter) .....	40
9-2. Door Lock Switch Assembly .....	41-42
9-3. Stator Assembly .....	43-45
9-4. Pump Motor Assembly .....	46
9-5. Inlet Valve Assembly .....	47
9-6. Heater Assembly .....	48
9-7. Thermistor Assembly .....	49-50
9-8. Steam Generator Assembly .....	51-52
9-9. Lamp .....	53
9-10. Vibration sensor assembly .....	54
10. Disassembly Instructions .....	55-65
11. Exploded View .....	66-68
11-1. Cabinet and Control Panel Assembly .....	66
11-2. Drum and Tub Assembly .....	67
11-3. Dispenser Assembly .....	68

# 1. SPECIFICATIONS

ITEM		WM3885H*CA / WM3875H*CA
COLOR		W : White, C : Chardonnay Steel
POWER SUPPLY		AC 120 V, 60 Hz
PRODUCT WEIGHT		220.5 lbs (100 kg)
ELECTRIC POWER CONSUMPTION	WASHING	280 W
	DRAIN MOTOR	80 W
	WASH HEATER	1000 W
REVOLUTION SPEED	WASH	46 rpm
	SPIN	0-1,400 rpm
CYCLES		14
WASH/RINSE TEMPERATURES		5
SPIN SPEEDS		5
OPTIONS		STEAM, DELAY WASH, STAIN CARE, CUSTOM PGM, COLD WASH™ WASH/RINSE OPTIMIZER™, EXTRA RINSE, CHILD LOCK, DRUM LIGHT, FRESH CARE, LANGUAGE, PRE-WASH, WATER PLUS, ENERGY USAGE DISPLAY
WATER CIRCULATION		Incorporated
OPERATIONAL WATER PRESSURE		14.5-116 psi (100-800 kPa)
CONTROL TYPE		Electronic
WASH CAPACITY [cu.ft. ]		4.13 (4.8 IEC)
DIMENSIONS		27"(W) X 29 <sup>3</sup> / <sub>4</sub> "(D) X 38 <sup>11</sup> / <sub>16</sub> "(H), 50 <sup>13</sup> / <sub>16</sub> " (D, door open)
DELAY WASH		up to 19 hours
DOOR SWITCH TYPE		PTC + Solenoid
WATER LEVEL		10 steps (by sensor)
LAUNDRY LOAD SENSING		Incorporated
ERROR DIAGNOSIS		Incorporated
AUTO POWER OFF		Incorporated
CHILD LOCK		Incorporated
STEAM		Incorporated

# 2. FEATURES & TECHNICAL EXPLANATION

---

## 2-1. FEATURES



### ■ Ultra Capacity

The larger drum enables not just higher head drop and stronger centrifugal force, but also less tangling and wrinkling of the laundry. Heavier loads, such as king size comforters, blankets, and curtains, can be washed.



### ■ Direct Drive System

The advanced brushless DC motor directly drives the drum without belt and pulley.



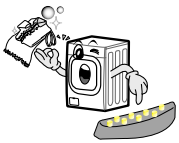
### ■ Tilted Drum and Extra Large Door Opening

Tilted drum and extra large opening make it possible to load and unload clothing more easily.



### ■ Steam Washing and SteamFresh™

Steam washing features upgraded washing performance with low energy and water consumption. SteamFresh™ cycle removes wrinkles from dry clothes.



### ■ RollerJets

Washing ball enhances the wash performance and reduces damage to the clothing. The jets spray and help tumble clothes to enhance washing performance while maintaining fabric care.



### ■ Automatic Wash Load Detection

Automatically detects the load and optimizes the washing time.



### ■ Built-in Heater

Internal heater helps to maintain water temperature at its optimum level for selected cycles.



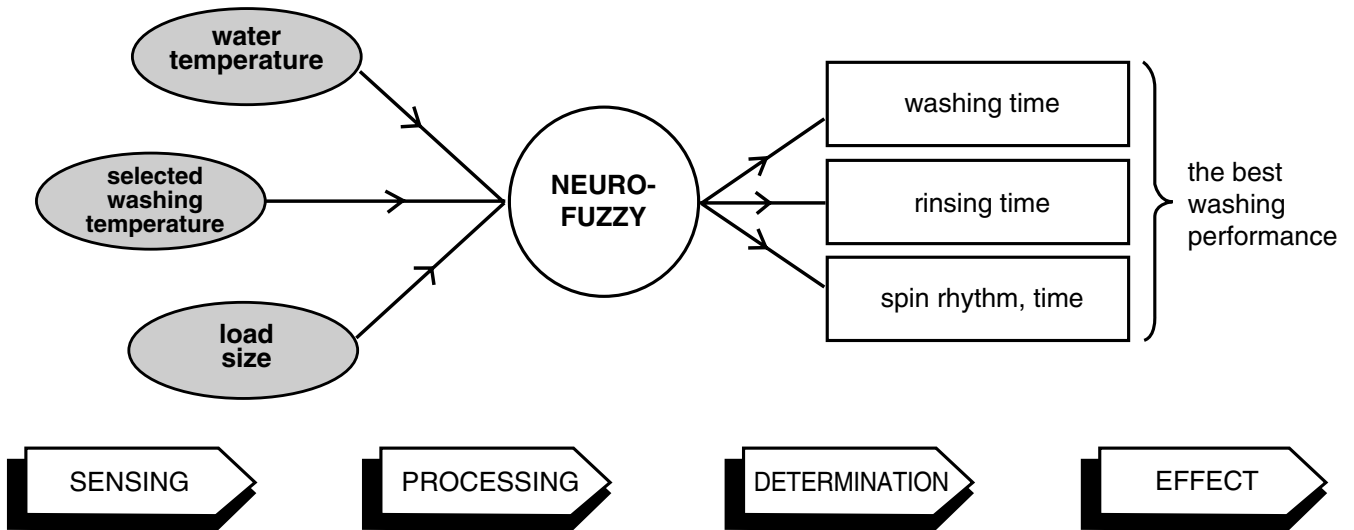
### ■ Child Lock

The child lock prevents children from pressing any button to change the settings during operation.

---

## 2-2. NEURO FUZZY WASHING TIME OPTIMIZATION

To get the best washing performance, optimal time is determined by the water temperature, the selected washing temperature, and the size of the load.



## 2-3. WATER LEVEL CONTROL

- This model incorporates a pressure sensor which can sense the water level in the tub.
- The water supply is stopped when the water level reaches the preset level, the washing program then proceeds.
- Spinning does not proceed until the water in the tub drains to a certain level.

## 2-4. DOOR CONTROL

- The door can be opened by pulling the door handle whenever washer is not in operation.
- When the cycle is completed, the DOOR LOCKED light will turn off.
- If a power failure has occurred while in operation, the door will unlock after 5 minutes.
- Clicking sounds can be heard when the door is locked/unlocked.

---


## 2-5. THE DOOR CAN NOT BE OPENED

- While program is operating.
- When a power failed and power plug is taken out in operation.
- While Door Lock lights turn on.
- While the motor is in the process of inertial rotating, through the operation is paused.

## 2-6. DOOR LOCKED LAMP LIGHTS

- When the frequency of water level is lower than 22.9 kHz.  
(It can be canceled when the frequency is more than 23.8 kHz.)
- When the temperature inside the tub is higher than 45°C and water level is not 25.5 kHz.  
(It can be canceled when the water level is 25.5 kHz or the temperature inside the tub is lower than 40°C.)

## 2-7. CHILD LOCK

- Use this option to prevent unwanted use of the washer. Press and hold STAIN CARE button for 3 seconds to lock/unlock control.
- When child lock is set, CHILD LOCK lights and all buttons are disabled except the POWER  button. You can lock the controls of the washer while washing.
- CHILD LOCK lasts after the end of cycle. If you want to deactivate this function, Press and hold the STAIN CARE button for 3 seconds.

## 2-8. WATER CIRCULATION

- When washing and rinsing function of shower at the upper part of Gasket.
- When washing, it continuously operates for 3 minutes and intermittently.
- When rinsing, it continuously operates after completion of water supply.

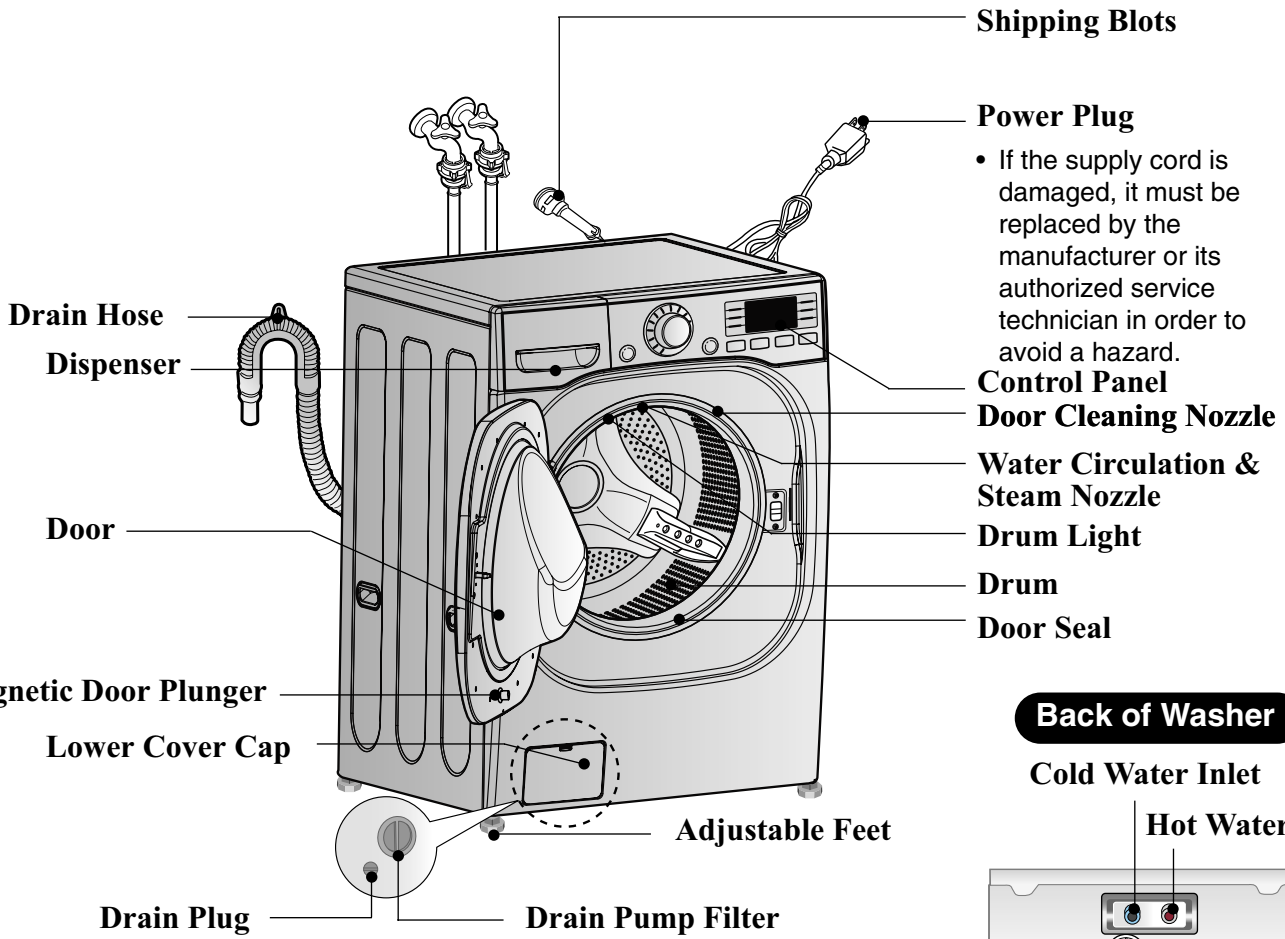
## 2-9. STEAM

- For tough stained clothes, sick room linens, or baby clothes.
- Steam Wash is available with Sanitary, Bulk/Large, Perm. Press, Cotton/Normal, and Baby Wear cycles.
- This option features upgraded washing performance with low energy and water consumption.
- Do not load delicates such as wool, silk, and easily discolored clothes.

## 2-10. DRUM LIGHT

- The drum light comes on when the power button is pressed. It goes off when the door is closed and the washer starts operation.
- The drum light remains off when the door is locked.
- The drum light can be turned on while the washer is in operation by pressing the DELAY WASH button for 3 seconds. The light will turn off automatically 4 minutes later.
- The drum light comes on when the washing cycle is finished and goes off 4 minutes later.

# 3. PARTS IDENTIFICATION

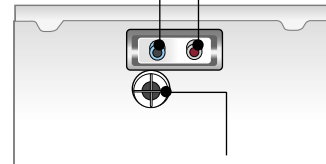


Hoses (1 Hot and 1 Cold)

## Back of Washer

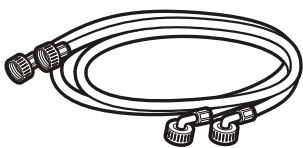
**Cold Water Inlet**

**Hot Water Inlet**

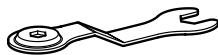


**Air Vent for Safety**

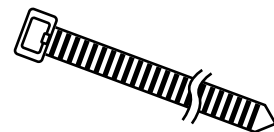
## ■ ACCESSORIES



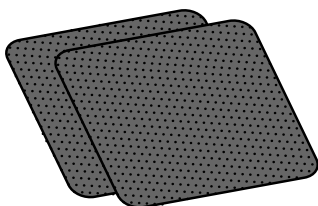
Hot/Cold (1 each) Hose



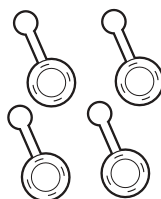
Wrench



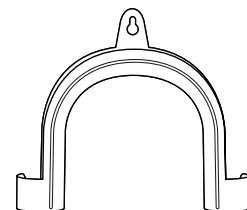
Tie strap (Option)  
to secure drain hose to standpipe,  
inlet hose, or laundry tub



Non-skid pads



Caps(4)  
(for covering shipping  
bolt holes)



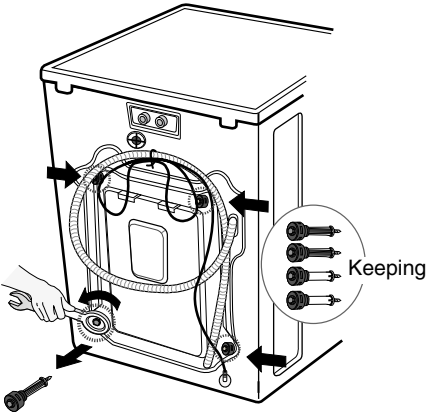
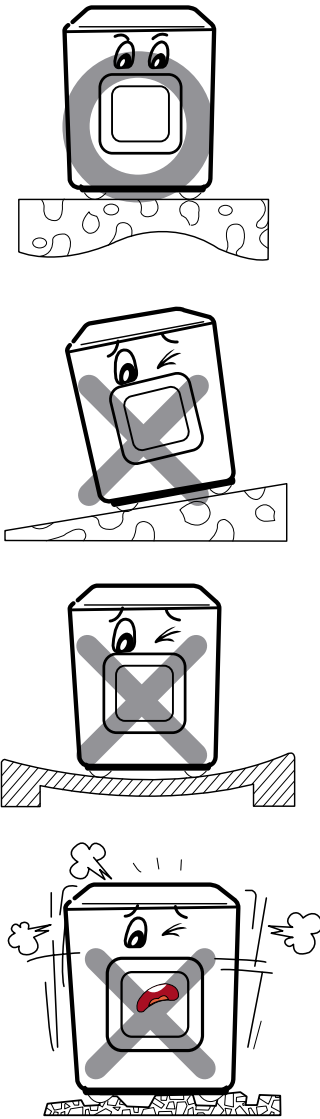
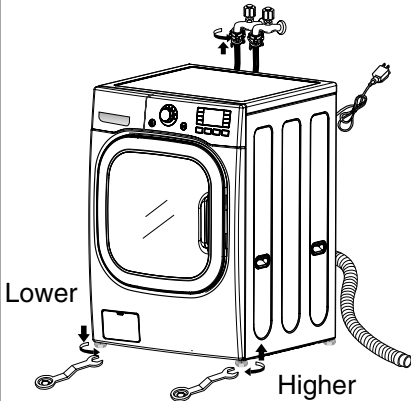
Elbow Bracket  
(for securing drain hose)

# 4. INSTALLATION & TEST

- 1 Before servicing, ask the customer what the trouble is.
- 2 When installing or repairing the washer, put on long gloves and safety glasses.
- 3 Check the setup (power supply is 120 VAC, remove the transit bolts, level the washer, etc.)
- 4 Check with the troubleshooting guide.
- 5 Plan your service method by referring to the disassembly instructions.
- 6 Service the unit.
- 7 After servicing, operate the appliance to see whether it functions correctly.

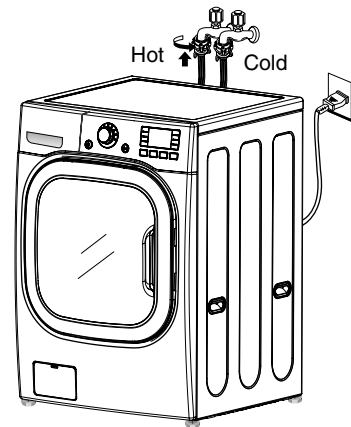
## ■ STANDARD INSTALLATION

The appliance should be installed as follows:

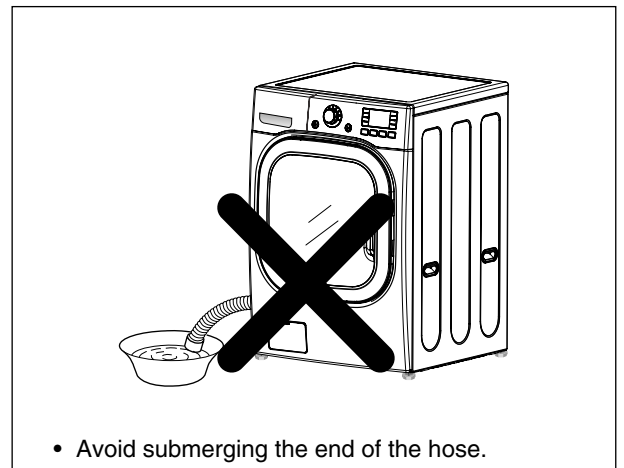
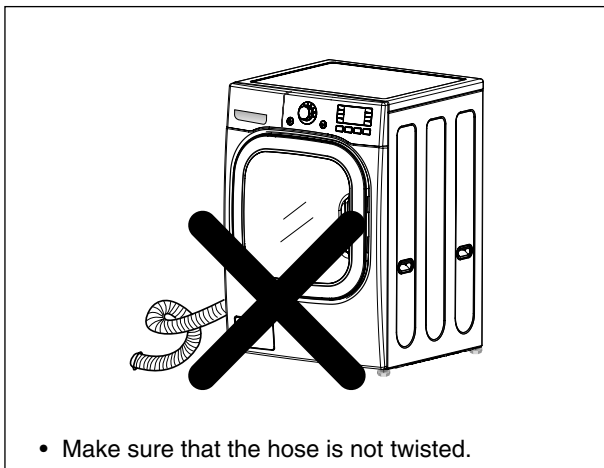
REMOVE THE SHIPPING BOLTS	INSTALL THE APPLIANCE ON A FLAT AND FIRM SURFACE	ADJUST THE LEVELING
<ul style="list-style-type: none"> <li>• Remove the 4 shipping bolts with the supplied wrench.</li> <li>※ Remove the lower bolts fist. It is easier that way.</li> <li>• Keep the shipping bolts and spanner for future use.</li> <li>• Insert the 4 caps (provided) into the hole.</li> </ul> 		<ul style="list-style-type: none"> <li>• Turn the leveling feet to adjust the appliance.</li> </ul>  <ul style="list-style-type: none"> <li>• Turn clockwise to raise; counterclockwise to lower.</li> </ul>

## ■ HOW TO CONNECT THE INLET HOSE

- Verify that the rubber washer is inside of the valve connector.
- Tighten the inlet hose securely to prevent leaks.
- Install the inlet hose to correct temperature water tap.  
Otherwise, it cause drips on the drawer panel handle and drawer panel.

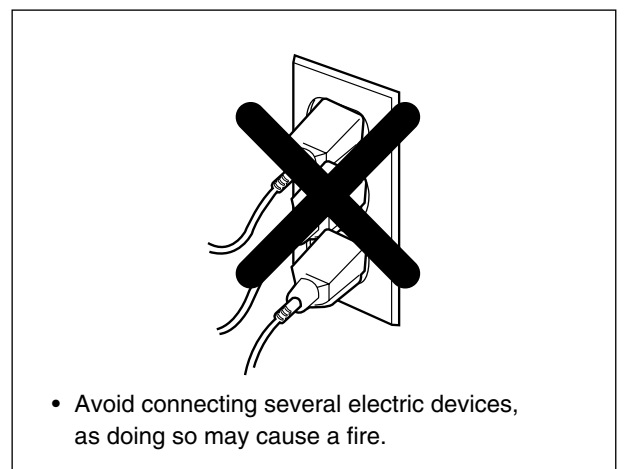
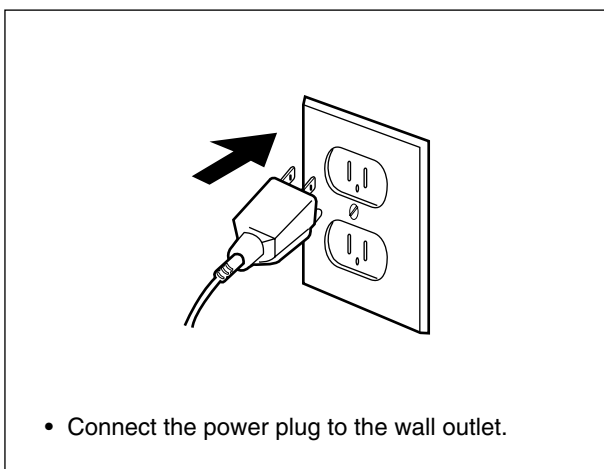


## ■ CONNECT THE DRAIN HOSE

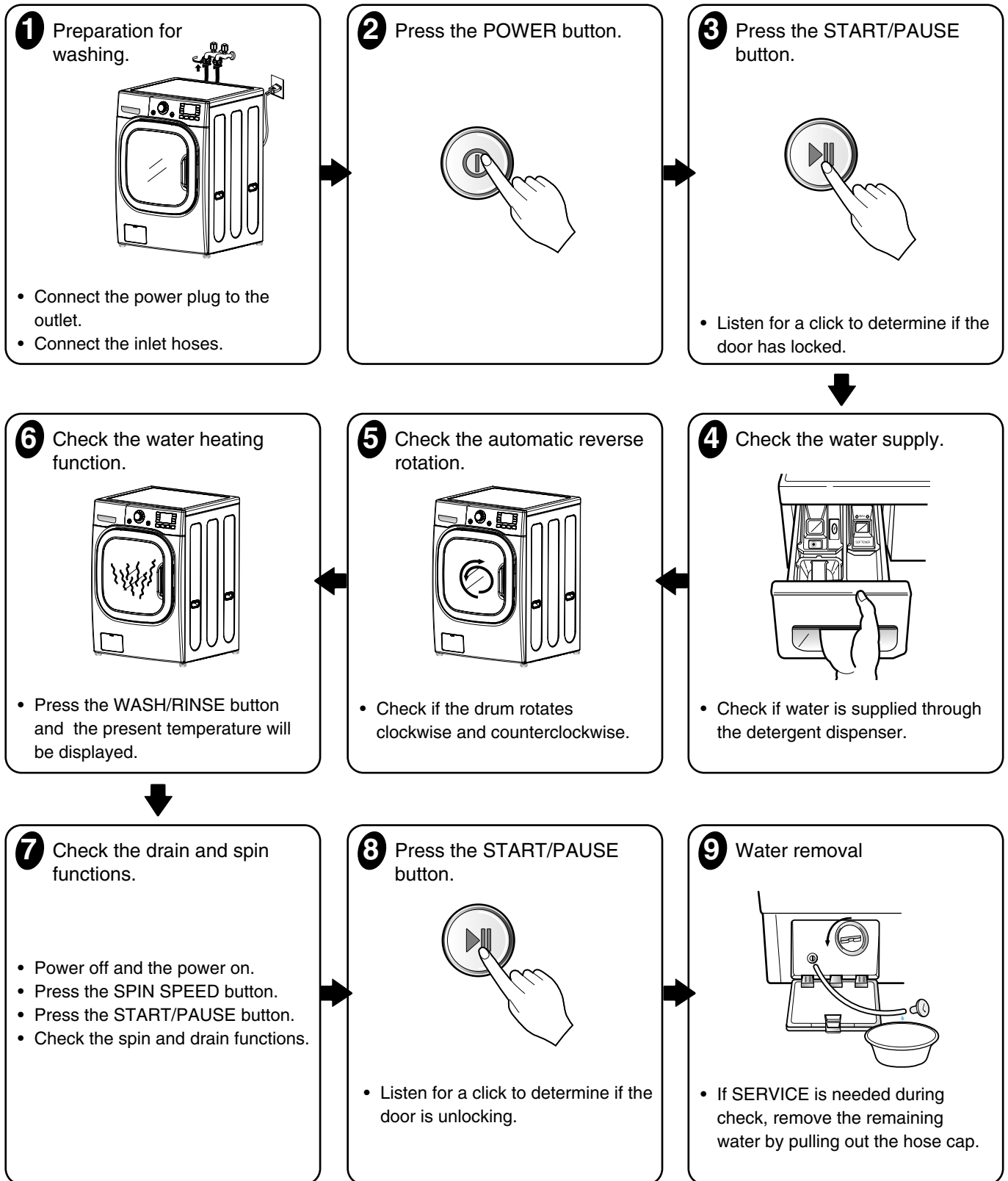


※ The end of the drain hose should be placed less than 96" from the floor.

## ■ CONNECT POWER PLUG

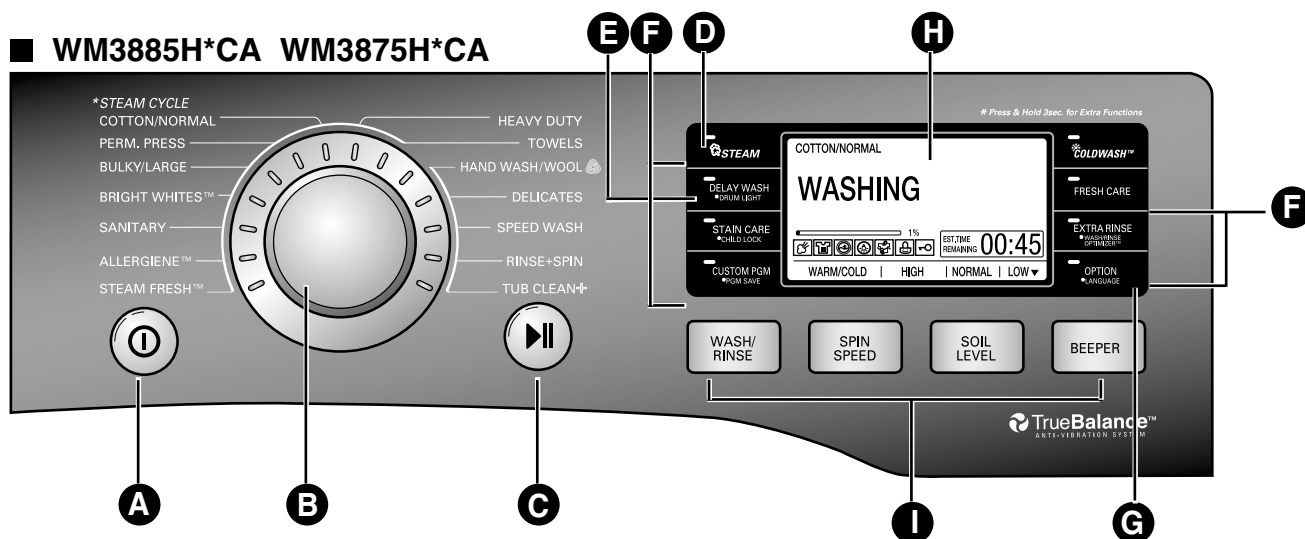


## 7 TEST OPERATION



# 5. OPERATION

## 5-1. CONTROL PANEL FEATURES



### A POWER ON/OFF BUTTON

Press to turn the washer ON. Press again to turn the washer OFF.  
**NOTE:** Pressing the ON/OFF button during a cycle will cancel that cycle and any load settings will be lost.

### B CYCLE SELECTOR KNOB

Turn this knob to select the desired cycle. Once the desired cycle has been selected, the standard presets will be shown in the display. These settings can be adjusted using the cycle setting buttons anytime before starting the cycle.

### C START/PAUSE BUTTON

Press this button to START the selected cycle. If the washer is running, use this button to PAUSE the cycle without losing the current settings.

**NOTE:** If you do not press the START/PAUSE button within 4 minutes of selecting a cycle, the washer automatically turns off.

### D STEAM BUTTON

Press the STEAM button to add steam to the selected cycle for added cleaning power.

**NOTE:** Steam can be added to only the following cycles: STEAM FRESH™, ALLERGIENE™, SANITARY, BRIGHT WHITES™, BULKY/LARGE, PERM. PRESS, COTTON/NORMAL, HEAVY DUTY and TOWELS.

### E DELAY WASH BUTTON

Press this button to delay the start of the wash cycle. Each press of the button increases the delay time by one hour, up to 19 hours.

### F SPECIAL FUNCTION BUTTONS

The special function buttons allow you to select additional functions and will light when selected. Certain buttons also allow you to activate secondary functions by pressing and holding the button for 3 seconds. For detailed information about the individual functions, please see the following pages.

### G OPTION BUTTON

Press this button to select additional cycle options such as WATER PLUS, PRE WASH and ENERGY USAGE DISPLAY.

Press the button next to the desired option in the display to select. The button will light to show the option has been selected.

### H LCD DISPLAY

The display shows the settings, estimated time remaining, options, and status messages for your Steam Washer™. The light in the display will remain on through the cycle.

### I CYCLE SETTING BUTTONS

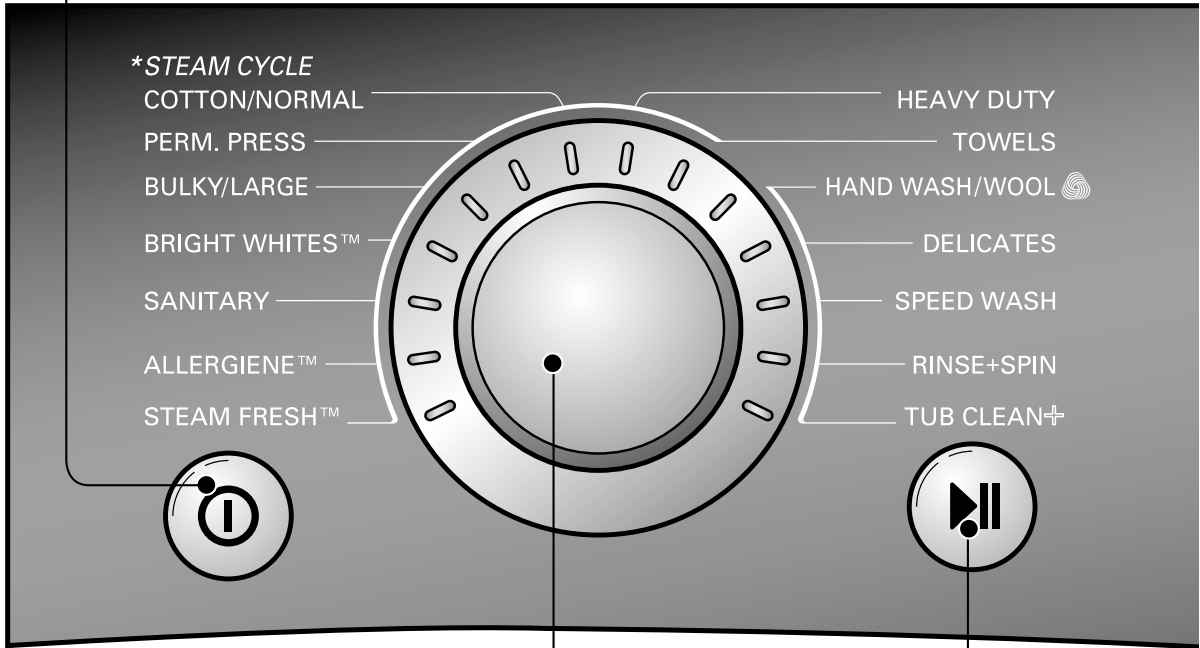
Use these buttons to select the desired cycle options for the selected cycle. The current options are shown in the display. Press the button for that option to view and select other settings.

**Power Button**

- Use this button to turn the power **On/Off**.

**Status Indicator**

- It shows elapsed time of the cycle the washer is operating.



**Cycle Selector Knob**

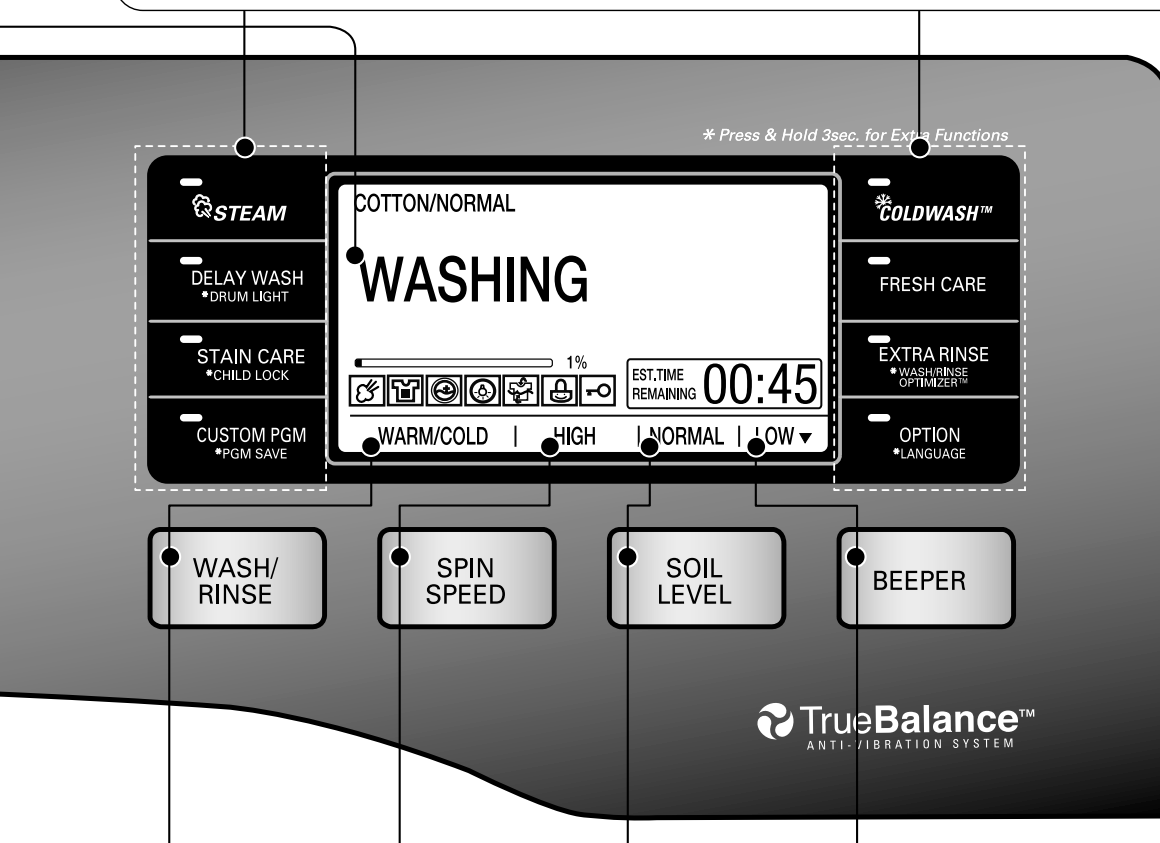
- Rotate the **Cycle selector knob** to select the cycle designed for different types of fabric and soil levels.

**Start/Pause**

- Use this button to **Start/Stop** the washer.

## Option Button

- **STEAM:** Use the STEAM button to add steam to the cycle for the extra cleaning.
- **WASH/RINSE OPTIMIZER™:** Use the WASH/RINSE OPTIMIZER™ button to select the water level, and detergent mount automatically by the smart sensor and program.
- **PRE-WASH:** Use the PREWASH button to select to wash temporary before to start the course which you chosen.
- **CUSTOM PGM:** Use the CUSTOM PGM button to select the course that you has been saved by PGM SAVE.
- **DELAY WASH:** Once you have selected the cycle and other settings, press this button to delay the start of the wash cycle.
- **COLDWASH™ :** Use this function to wash without hot water and heating.
- **EXTRA RINSE :** This option will add an extra rinse cycle to the selected cycle.
- **STAIN CARE :** Select this option for heavily stained clothes, such as play clothes or work clothes.
- **DRUM LIGHT :** The drum is equipped with a blue LED light that illuminates when the washer is turned on.
- **CHILD LOCK :** Use this option to prevent unwanted use of the washer or to keep cycle settings from being changed while the washer is operating.



## Wash/Rinse, Spin speed, Soil Level, Beeper Button

- Select a water temperature based on the type of load you are washing.
- To change the spin speed, press the Spin Speed button repeatedly to cycle through available options.
- To change the soil level, press the Soil Level button repeatedly until the desired setting is on.
- Press repeatedly to adjust the volume of the Beeper.

## 5-2. Cycle Guide

The cycle guide below shows the options and recommended fabric types for each cycle.

● = Available option

CYCLE	FABRIC TYPE	WASH/RINSE TEMP.	SPIN SPEED	SOIL LEVEL	PRE-WASH	EXTRA RINSE	STAIN CARE	WATER PLUS	STEAM	COLDWASH™	WASH/RINSE OPTIMIZER™
<b>STEAM FRESH™</b>	Dress shirts, blouses								●		
<b>SANITARY</b>	Heavily soiled underwear, work clothes, diapers, etc.	Extra Hot/Cold	High	Normal							
			Extra High No Spin Low Medium	Heavy Light	●	●	●	●	●		●
<b>BULKY/ LARGE</b>	Large items such as blankets and comforters	Warm/Cold	Low	Normal							
		Warm/Warm Hot/Cold Cold/Cold	Medium No Spin	Heavy Light	●	●	●	●	●	●	●
<b>PERM. PRESS</b>	Dress shirts/pants, wrinkle-free clothing, poly/cotton blend clothing, tablecloths	Warm/Cold	Medium	Normal							
		Warm/Warm Hot/Cold Cold/Cold	High No Spin Low	Heavy Light	●	●	●	●	●	●	●
<b>COTTON/ NORMAL</b>	Cotton, linen, towels, shirts, sheets, jeans, mixed loads	Warm/Cold	High	Normal							
		Hot/Cold Cold/Cold	Extra High No Spin Low Medium	Heavy Light	●	●	●	●	●	●	●
<b>ALLERGIENE™</b>	Cotton, underwear, pillow covers, bed sheets, baby wear		High								
			Extra High No Spin Low Medium			●		●	●		
<b>HEAVY DUTY</b>	Heavy soiled Cotton Fabrics	Warm/Cold	Extra High	Heavy							
		Warm/Warm Hot/Cold Cold/Cold	No Spin Low Medium High	Light Normal	●	●	●	●	●	●	●
<b>TOWELS</b>	Towels	Warm/Cold	Extra High	Normal							
		Warm/Warm Hot/Cold Cold/Cold	No Spin Low Medium High	Heavy Light	●	●		●	●	●	
<b>HAND WASH/ WOOL</b>	Items labeled "hand-washable"	Warm/Cold	Low	Normal							
		Warm/Warm Cold/Cold	No Spin	Light						●	
<b>DELICATES</b>	Dress shirts/blouses, nylons, sheer or lacy garments	Cold/Cold	Medium	Normal							
		Warm/Cold Warm/Warm	No Spin Low	Heavy Light	●	●		●		●	
<b>SPEED WASH</b>	Lightly soiled clothing and small loads	Hot/Cold	Extra High	Light							
		Cold/Cold Warm/Cold Warm/Warm	No Spin Low Medium High	Normal Heavy		●				●	
<b>RINSE + SPIN</b>	Rinse and Spin	Cold/Cold	High								
			Extra High No Spin Low Medium			●		●			
<b>BRIGHT WHITES™</b>	White Fabrics	Hot/Cold	High	Normal							
		Cold/Cold Warm/Cold Warm/Warm	Extra High No Spin Low Medium	Heavy Light	●	●	●	●	●		
<b>TUB CLEAN+</b>	This cycle is designed to remove a mildewy or musty smell.								●		

**NOTE:** To protect your garments, not every wash/rinse temperature, spin speed, soil level, or option is available with every cycle.

---

## 5-3. SPECIAL FUNCTIONS

The option buttons also activate special functions, including CHILD LOCK, DRUM LIGHT, FRESH CARE, and LANGUAGE. Press and hold the option button marked with the special function for 3 seconds to activate.

### CHILD LOCK



Use this option to prevent unwanted use of the washer or to keep cycle settings from being changed while the washer is operating. Press and hold the STAIN CARE button for 3 seconds to activate or deactivate CHILD LOCK. CHILD LOCK will be shown in the display, and all controls are disabled except the ON/OFF button. The washer can be locked during a cycle.

**NOTE:** CHILD LOCK lasts after the end of cycle. If you want to deactivate this function, Press and hold the STAIN CARE button for 3 seconds.

### DRUM LIGHT



The drum is equipped with a blue LED light that illuminates when the washer is turned on. This light automatically turns off when the door is closed and the cycle starts. To turn on the light during a cycle, press and hold the DELAY WASH button for 3 seconds. The drum light will illuminate and then turn off automatically after 4 minutes.

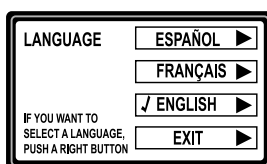
### LANGUAGE



This option allows you to change the language shown in the display. Once set, the selected language will stay set even after the power is turned off. The display language options are English, French, and Spanish; English is the default language.

#### To change the language:

- ① Press the ON/OFF button to turn on the washer.
- ② Press and hold the OPTION button for 3 seconds, until the following screen appears in the display.



When OPTION is pushed, English is displayed as the default language. Press the COLDWASH™ button to select ESPAÑOL (Spanish) or FRESH CARE for FRANÇAIS (French).

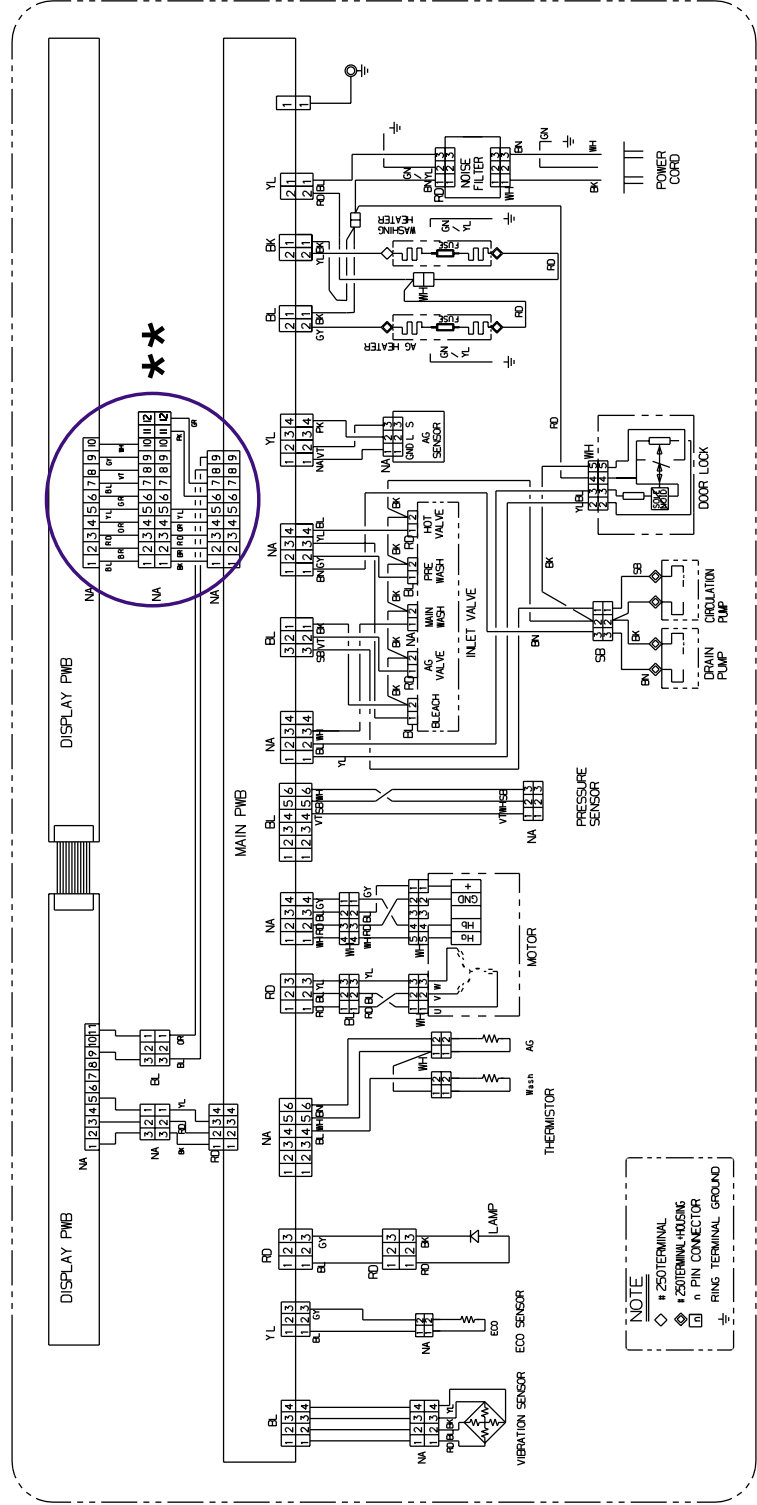
## 5-4. Explanation of each process

No.	Process	Explanation
1.	Stay	<ul style="list-style-type: none"> <li>• Electrical power is supplied.</li> <li>• Washer is ready to work and the micom is in the active mode.</li> </ul>
2.	Water supply	<ul style="list-style-type: none"> <li>• After loading laundry and selecting a course and a cycle, water is supplied and drum rotates.</li> <li>• When a user selects Pre-wash course, water is supplied through pre wash valve.</li> </ul>
3.	Soaking and washing laundry	<ul style="list-style-type: none"> <li>• To get laundry wet, drum rotates clockwise and counterclockwise.</li> <li>• If water amount is insufficient at this time, the Inlet valve will supply water again.</li> </ul>
4.	Heating and washing	<ul style="list-style-type: none"> <li>• The heater heats the water in drum to the selected water temperature and drum rotates for washing.</li> </ul>
5. 6.	Washing and heating / washing	<ul style="list-style-type: none"> <li>• When the water temperature reaches to the selected temperature, the heating stops and only the drum rotates.</li> <li>• If water temperature becomes lower than selected because of re-supplied water, the heating starts again.</li> </ul>
7.	Washing	<ul style="list-style-type: none"> <li>• Fuzzy logic decides washing time according to the laundry load, water temperature, and other factors.</li> </ul>
8.	Drainage	<ul style="list-style-type: none"> <li>• A pump motor drains the water from the drum.</li> <li>• After sensing drained water amount by water level frequency, spin starts.</li> <li>• When a heating course is selected, stay cooling process is performed to decrease the water temperature gradually to prevent laundry from being damaged and for safety reasons.</li> </ul>
9.	Untangling (Sensing eccentricity)	<ul style="list-style-type: none"> <li>• It balances laundry load and senses the eccentricity of the load, to only allow spinning without vibration.</li> <li>• If the eccentricity is worse than the allowed level, it repeats the disentangling process. When the repeated time is more than allowed level, it displays UE.</li> <li>• If the eccentricity is good, the intermittent spin starts.</li> <li>• During this process, the drain pump works for drainage intermittently.</li> </ul>

No.	Process	Explanation
A.	Intermittent spin	<ul style="list-style-type: none"> <li>To reach the correct set speed, the motor rotates clockwise and counterclockwise directions after spin process starts.</li> <li>If the water level frequency is lower than 23.0 kHz, a washer senses suds and starts suds removal process.</li> </ul>
B.	Rinse spin	<ul style="list-style-type: none"> <li>In this process, the remaining water during washing process is extracted and the selected speed is kept.</li> <li>Removing suds process is in active mode at this cycle.</li> </ul>
C.	Remaining spin	<ul style="list-style-type: none"> <li>After spin finishes, the drum rotates by remaining spin power until it stops. Motor power is off.</li> <li>This process is overlapped with next process.</li> </ul>
D.	Rinse water supply	<ul style="list-style-type: none"> <li>Water supply for rinse process.</li> </ul>
E.	Rinse	<ul style="list-style-type: none"> <li>Rinsing process.</li> </ul>
F.	Last drainage	<ul style="list-style-type: none"> <li>After spin finishes and power is not supplied to motor, the drum rotates by remaining spin power.</li> <li>If rinse hold is selected, the drainage is not proceeded after rinse finishes.</li> </ul>
G.	Disentangling	<ul style="list-style-type: none"> <li>The same as item 9.</li> </ul>
H.	Intermittent spin	<ul style="list-style-type: none"> <li>The same as item A.</li> </ul>
I.	Main spin1	<ul style="list-style-type: none"> <li>The same as item B.</li> </ul>
J.	Main spin2	<ul style="list-style-type: none"> <li>At the end of a main spin, the spin speed will reach the selected rpm.</li> </ul>
K.	Remaining spin	<ul style="list-style-type: none"> <li>The same with item C.</li> </ul>
L.	Disentangling	<ul style="list-style-type: none"> <li>After spin finishes, disentangling starts to remove unbalanced laundry.</li> </ul>
M.	End	<ul style="list-style-type: none"> <li>After 'end' signal is displayed, it stays for 8 seconds and power is automatically turned off. (Auto type door switch)</li> <li>After door switch is off, end signal is displayed in the case of manual type and it takes around 2 minute to turn off door switch.</li> </ul>

# 6. WIRING DIAGRAM / PROGRAM CHART

**WM3885H\*CA**



**WM3875H\*CA**

**PROGRAM CHART**

\* Water Supply: W-S \* Intermittent Spin: I-S \* Disentangle: D-T

CYCLE COURSE	Wash										Rinse										Spin			A U T O O F F	**APPROX. Working Time (Minutes)							
	Pre		Main				Normal				Extra Rinse				Drain	Spin	D - T															
	W - S	I - S	W - S	Heat	Wash	W - S	Cool-down	Drain	Rinse	W - S	Drain	Rinse	W - S	Drain				I - S	W - S	Rinse												
															1	2	3				4											
Time (SEC)	1	2	3	4	5	6	7	8	9	10	11	12	13	14	15	16	17	18	19	20	21	22	23	24	25	26	27	28	29	30		
Steam Refresh	60	*	60	420	60																											20
Sanitary	8					59																										113
Bulky /Large	8					23																										65
Allergiene																																118
Cotton /Normal	8					12																										60
Delicates	8					15																										43
Hand Wash /Wool						18																										57
Speed Wash						25																										15
Perm . Press	8					2																										68
Bright Whites	8					14																										83
Heavy Duty	8					20																										103
Towels	8					15																										72
Rinse + Spin						40																										20

Basic Cycle  
 Optional Cycle  
 Pre-Setting Time : Water Supply - 60 sec.  
 Drain - 60 sec.

\* Wash time is in minutes.  
 \*\* The total working time will vary with the load size, water temperature and ambient temperature.



## 7. TEST MODE

### 7-1. SAFETY CAUTION

- Both 120 volts AC and DC voltages are present on the main board. Be careful to avoid a shock hazard. Be careful electric shock when disconnecting parts while trouble shooting. (Wear Electro Static Discharge gloves when working.)
- After cutting off the power when changing PWB assembly, disconnect or assemble.
- Be careful static when handling PWB assembly, and use electro static discharge plastic pack when handling or storing the board or other components.

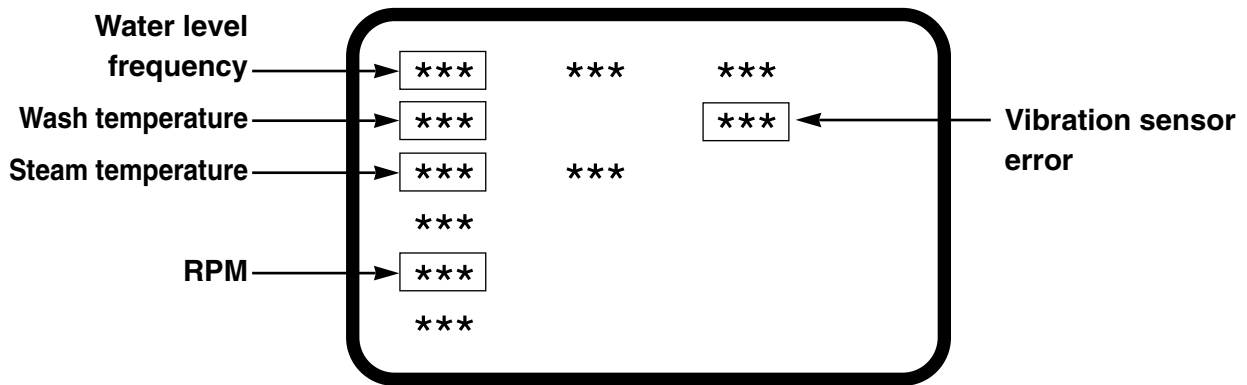
### 7-2. LOAD TEST MODE

The washer must be empty and the controls must be in the off state.

1. Press the SPIN SPEED and SOIL LEVEL buttons simultaneously.
2. Press the Power  button, while the above condition. Then buzzer will sound twice.
3. Press the STEAM button to load test mode. Without pressing the STEAM button, you can load demo mode.
4. Press the START/PAUSE  button repeatedly to cycle through the test modes.

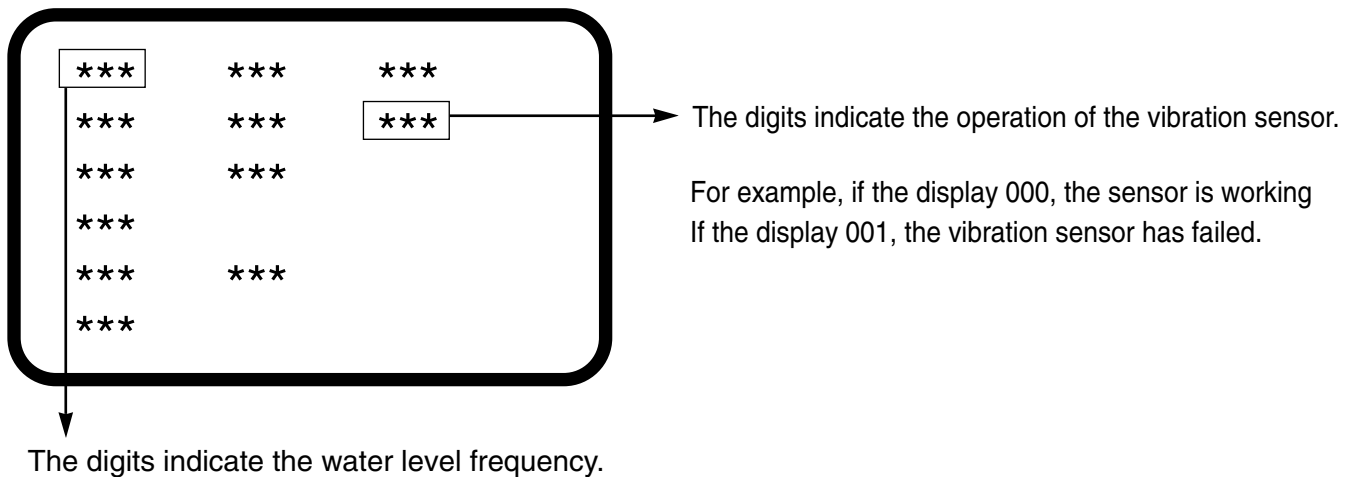
Number of times the Start/Pause button is pressed	Check Point	Display Status
None	Turns on all lamps.	LOAD TEST MODE
1 time	Tumble clockwise.	rpm (42~50)
2 times	Low speed Spin.	rpm (35~45)
3 times	High speed Spin.	rpm (110~117)
4 times	Inlet valve for prewash turns on.	Water level frequency (0~255)
5 times	Inlet valve for main wash turns on.	Water level frequency (0~255)
6 times	Inlet valve for Hot water turns on.	Water level frequency (0~255)
7 times	Inlet valve for bleach turns on.	Water level frequency (0~255)
8 times	Inlet valve for steam turns on.	Water level frequency (0~255)
9 times	Tumble counterclockwise.	rpm (42~50)
10 times	Heater turns on for 3 seconds.	Water temperature
11 times	Circulation pump turns on.	Water level frequency (0~255)
12 times	Drain pump turns on.	Water level frequency (0~255)
13 times	Steam water level sensor operates.	AG tub water level frequency (0~255)
14 times	Steam Heater turns on for 1.2 sec.	Steam generator temperature
15 times	off	

### 7-3. HOW TO READ THE DISPLAY IN LOAD TEST MODE



### 7-4. HOW TO CHECK THE WATER LEVEL FREQUENCY AND VIBRATION SENSOR ERROR

\* Press the WASH/RINSE and SOIL LEVEL buttons simultaneously.



For example, if the display indicates 058,  
the water level frequency is  $20 + (58 \times 0.1) = 25.8$  kHz.

# 8. TROUBLESHOOTING

## 8-1. SAFETY CAUTION

- Both 120 volts AC and DC voltages are present on the main board. Be careful to avoid a shock hazard.
- After cutting off the power when changing PWB assembly, disconnect or assemble.
- Be careful static when handling PWB assembly, and use Electro Static Discharge plastic pack when delivering or keeping it.

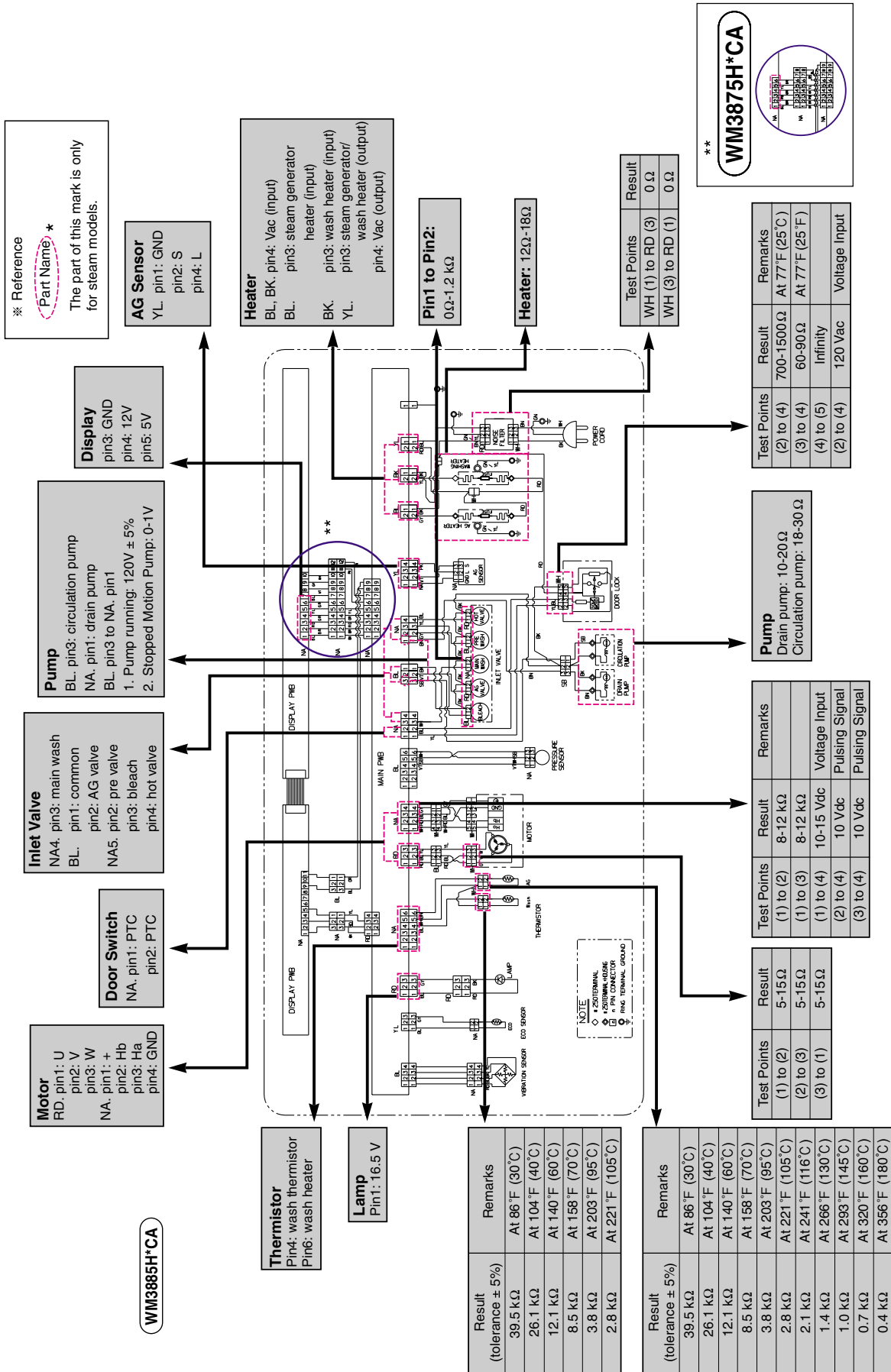
## 8-2. ERROR MODE SUMMARY

- If you press the START/PAUSE button when an error is displayed, any error except **▲ PE ERROR** will disappear and the machine will go into the pause status.
- In case of **▲ PE ERROR**, **▲ tE ERROR**, **▲ dE ERROR** if the error is not resolved within 20 seconds, or in the case of other errors, if the error is not resolved within 4 minutes, power will be turned off automatically and the error code will blink. But in the case of **▲ FE ERROR**, power will not be turned off.

	ERROR	SYMPTOM	CAUSE
1	WATER INLET ERROR	<b>▲ IE ERROR</b> NO WATER SUPPLY. CHECK TAP & HOSE. (LGUS)1-800-243-0000 (LGCANADA)1-888-542-2623	<ul style="list-style-type: none"> <li>• Correct water level (24.6kHz) is not reached within 8 minutes after water is supplied or it does not reach the preset water level within 20 minutes.</li> </ul>
2	UNBALANCE ERROR	<b>▲ UE ERROR</b> LOAD IS OUT OF BALANCE. REARRANGE WASH LOAD. (LGUS)1-800-243-0000 (LGCANADA)1-888-542-2623	<ul style="list-style-type: none"> <li>• The load is too small.</li> <li>• The appliance is tilted.</li> <li>• Laundry is gathered to one side.</li> <li>• Non distributable things are put into the drum.</li> </ul>
3	DRAIN ERROR	<b>▲ OE ERROR</b> NOT DRAINING. CHECK THE DRAIN HOSE & FILTER. (LGUS)1-800-243-0000 (LGCANADA)1-888-542-2623	<ul style="list-style-type: none"> <li>• Not fully drained within 10 minutes.</li> </ul>
4	OVERFLOW ERROR	<b>▲ FE ERROR</b> SEE OWNER'S MANUAL. (LGUS)1-800-243-0000 (LGCANADA)1-888-542-2623	<ul style="list-style-type: none"> <li>• Water is overflowing. (water level frequency is over 21.3kHz). ※ If <b>▲ FE ERROR</b> is displayed, the drain pump will operate to drain the water automatically.</li> </ul>
5	PRESSURE SENSOR ERROR	<b>▲ PE ERROR</b> SEE OWNER'S MANUAL. (LGUS)1-800-243-0000 (LGCANADA)1-888-542-2623	<ul style="list-style-type: none"> <li>• The PRESSURE SENSOR ASSEMBLY is out of order.</li> <li>• When water level frequency maintain condition of below 10 kHz and over 30 kHz.</li> </ul>
6	DOOR OPEN ERROR	<b>▲ dE ERROR</b> THE DOOR IS OPEN. PLEASE CLOSE THE DOOR COMPLETELY. (LGUS)1-800-243-0000 (LGCANADA)1-888-542-2623	<ul style="list-style-type: none"> <li>• Door not all the way closed.</li> <li>• Loose electrical connections at Door switch and PWB Assembly.</li> <li>• The DOOR SWITCH ASSEMBLY is out of order.</li> </ul>
7	HEATING ERROR	<b>▲ tE ERROR</b> SEE OWNER'S MANUAL. (LGUS)1-800-243-0000 (LGCANADA)1-888-542-2623	<ul style="list-style-type: none"> <li>• The THERMISTOR is out of order.</li> </ul>

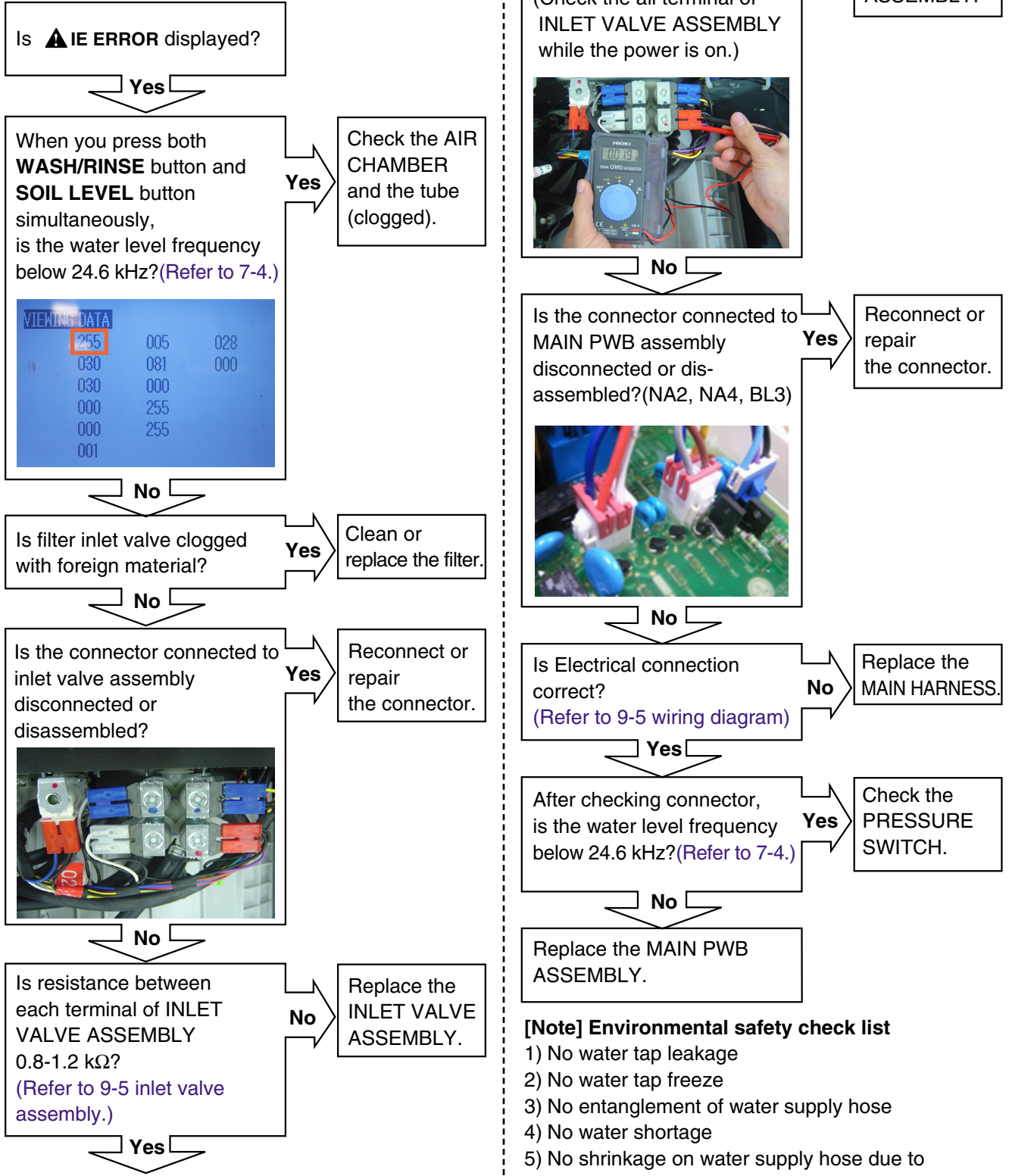
	<b>ERROR</b>	<b>SYMPTOM</b>	<b>CAUSE</b>
<b>8</b>	LOCKED MOTOR ERROR	<p><b>▲ LE ERROR</b> SEE OWNER'S MANUAL. (LGUS)1-800-243-0000 (LGCANADA)1-888-542-2623</p>	<ul style="list-style-type: none"> <li>• The connector (3-pin, male, white) in the MOTOR HARNESS is not connected to the connector (3-pin, female, white) of STATOR ASSEMBLY.</li> <li>• The electric contact between the connectors (3-pin, male, white) in the MOTOR HARNESS and 4-pin, female, white connector in the MAIN PWB ASSEMBLY is bad or unstable.</li> <li>• The MOTOR HARNESS between the STATOR ASSEMBLY and MAIN PWB ASSEMBLY is cut (open circuited).</li> <li>• The hall sensor is out of order/defective.</li> </ul>
<b>9</b>	EEPROM ERROR	<p><b>▲ EE ERROR</b> SEE OWNER'S MANUAL. (LGUS)1-800-243-0000 (LGCANADA)1-888-542-2623</p>	<ul style="list-style-type: none"> <li>• EEPROM is out of order.</li> </ul> <p>※ Displayed only when the START/PAUSE button is first pressed in the Load Test Mode.</p>
<b>10</b>	POWER FAILURE	<p><b>▲ PF ERROR</b> THE WASHER EXPERIENCED A POWER FAILURE. RESTART THE CYCLE. (LGUS)1-800-243-0000 (LGCANADA)1-888-542-2623</p>	<ul style="list-style-type: none"> <li>• After the power supply is stopped while washing machine is working, the power is supplied rapidly.</li> </ul>

# 8-3. TROUBLESHOOTING SUMMARY



## 8-4. TROUBLESHOOTING WITH ERROR

### INLET VALVE ERROR



#### [Note] Environmental safety check list

- 1) No water tap leakage
- 2) No water tap freeze
- 3) No entanglement of water supply hose
- 4) No water shortage
- 5) No shrinkage on water supply hose due to a possible misuse of hot and cold water
- 6) No water supply hose leakage

## DRAIN ERROR

Is **▲ OE ERROR** displayed?

Yes

Is the connector connected to pump motor assembly disconnected or disassembled?

Yes

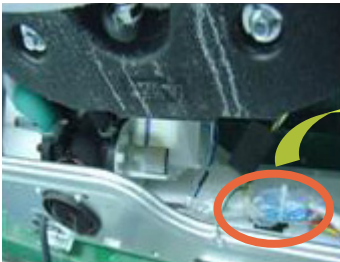
Reconnect or repair the connector.



**Circulation pump**



**Drain pump**



**Connection connector**

Yes

Check the AIR CHAMBER, the tube (clogged), and press switch.

When you press both **WASH/RINSE** button and **SOIL LEVEL** button simultaneously, is the water level frequency below 25.0 kHz?  
(Refer to 7-4.)

No

VIEWING DATA		
255	005	028
030	081	000
030	000	
000	255	
000	255	
001		

No

Is the coil of the drain pump too high or low? (resistance of the coil is 10-20Ω)  
(Refer to 9-4 Pump motor assembly.)

Yes

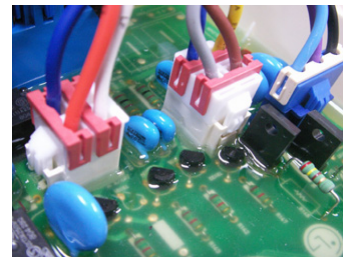
Replace the DRAIN PUMP ASSEMBLY.

No

Is the voltage between connectors out of range?  
(NA2 pin1~ BL3 pin1)  
- After remove Terminal Position Assurance (TPA) of connector, check as follows.

Yes

Replace the MAIN PWB ASSEMBLY.



- Pump running : 120V±5%
- Stopped Motor/Pump : 0~1V

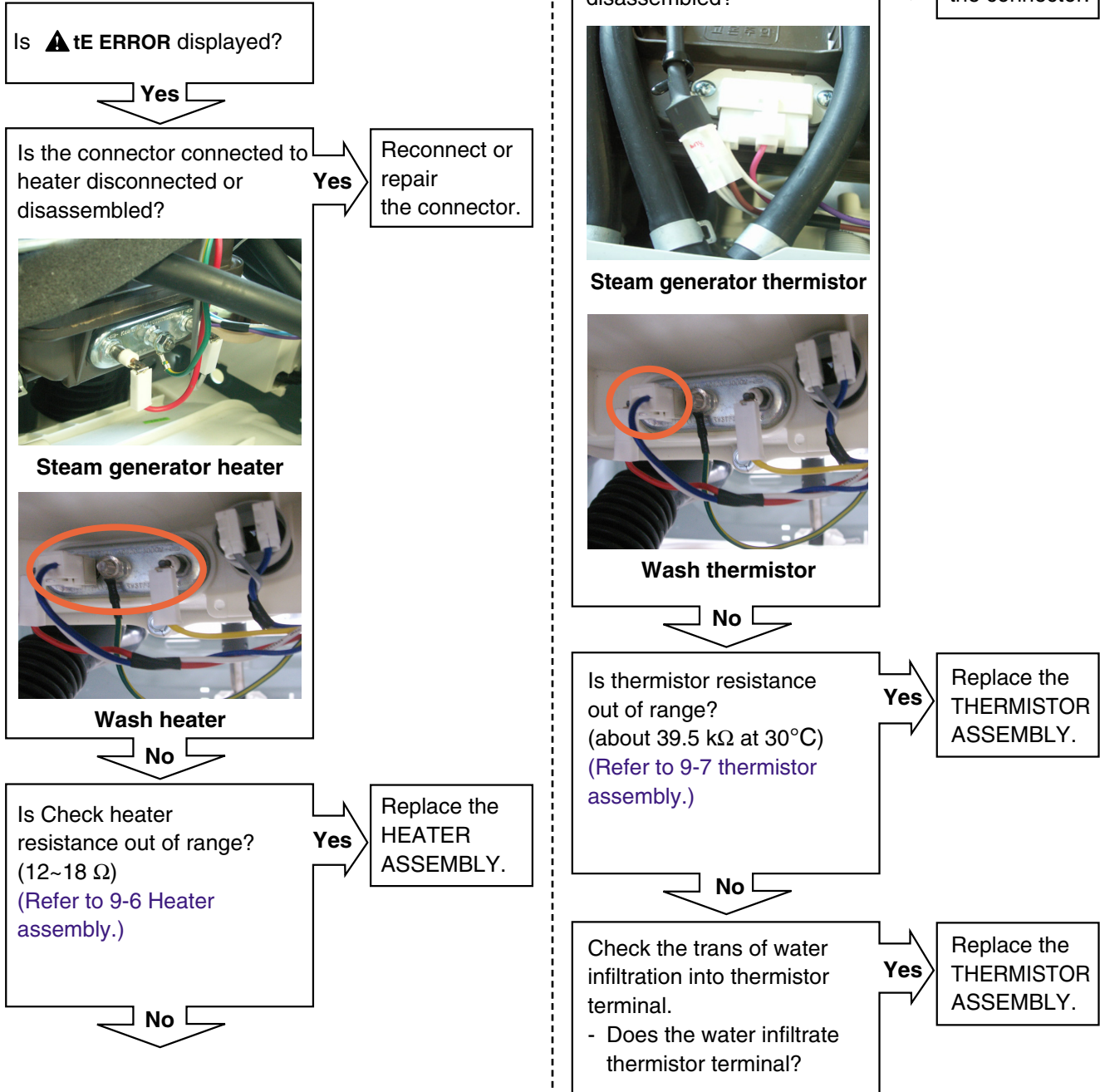
### Method

1. Press the Power button, while the SPIN SPEED button and SOIL LEVEL button is pressed simultaneously.
2. Press Start/Pause button.
  - : 1 time → Pump slow-speed running
  - : 2 times → Pump mid-speed running
  - : 3 times → Pump high-speed running
  - : 4 times → Stop the Motor/Pump

### [Note] Environmental check list

- 1) The drainage hose must not stay in a lower position.
- 2) The drainage hose must not be bent or clogged in any way due to the surrounding physical configuration.
- 3) The drainage hose must not get frozen at all times.
- 4) The drainage pump must not have any improper substance or material inside that may cause a machine breakdown.

## HEATING ERROR



**[Note]**  
 Chances that the cause occurs from the main controller are very little.  
 Sensing part of the circuit (tE) consists of only resistors and capacitors.

## LOCKED MOTOR ERROR

Is **▲LE ERROR** displayed?

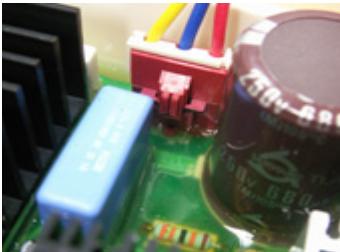
Yes

Check the connectors below.  
Is the connector disconnected or disassembled?  
(motor hall sensor connector, motor drive connector.)

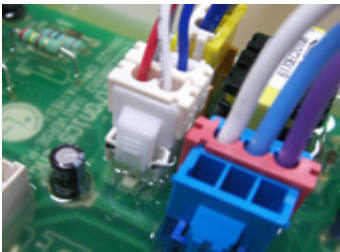
Yes

Reconnect the connector.  
(connector / wire / motor )

- **part of main PWB assembly (NA1, RD4)**



Motor Drive



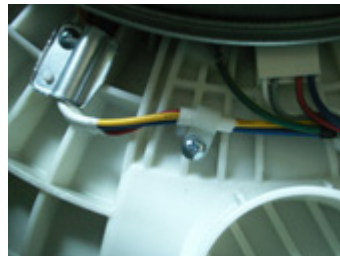
Hall sensor

- **part of wire**



Motor Drive Hall Sensor

- **part of motor**



Motor

Yes

Is rotor magnet cracked?

Yes

Replace the ROTOR.



Magnet

No

Is the resistance values in the range of 5 to 15  $\Omega$ ?  
(U-V, V-W, W-V)  
:U=1, V=2, W=3)  
- After pull out the RD4 connector, check the terminal of the connector in wire. (Red 3P, male)

No

Replace the STATOR.



Yes

Is hall sensor out of order? (Refer to 9-3 Stator assembly/Hall sensor.)

Yes

Replace the Hall sensor.

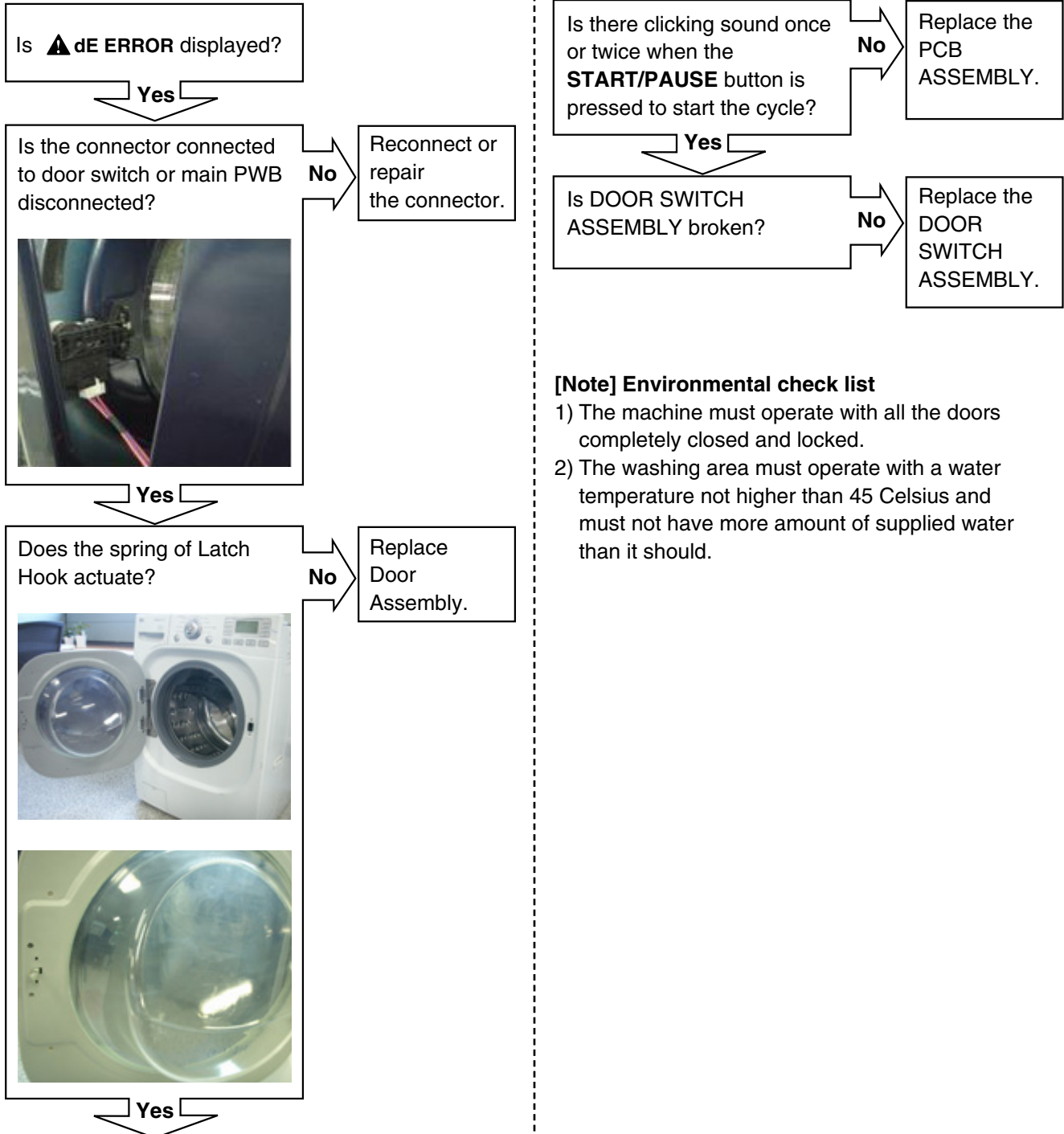
No

Check the IPM in the controller.

No

Replace the MAIN PWB ASSEMBLY.

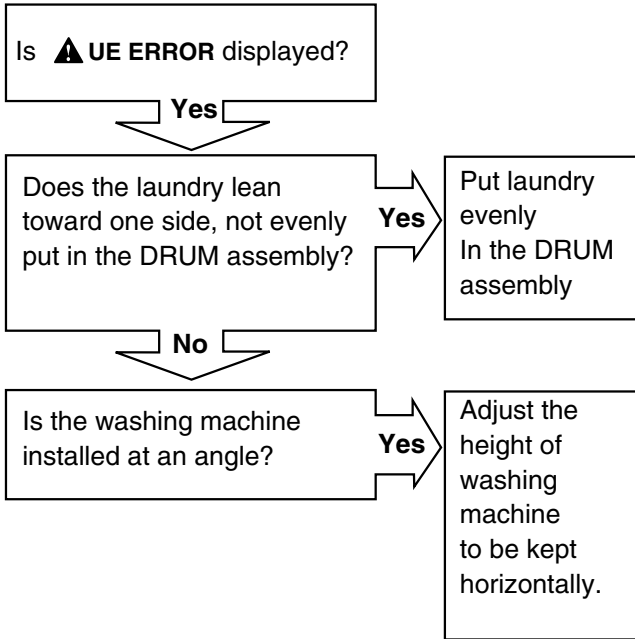
## DOOR OPEN ERROR



### [Note] Environmental check list

- 1) The machine must operate with all the doors completely closed and locked.
- 2) The washing area must operate with a water temperature not higher than 45 Celsius and must not have more amount of supplied water than it should.

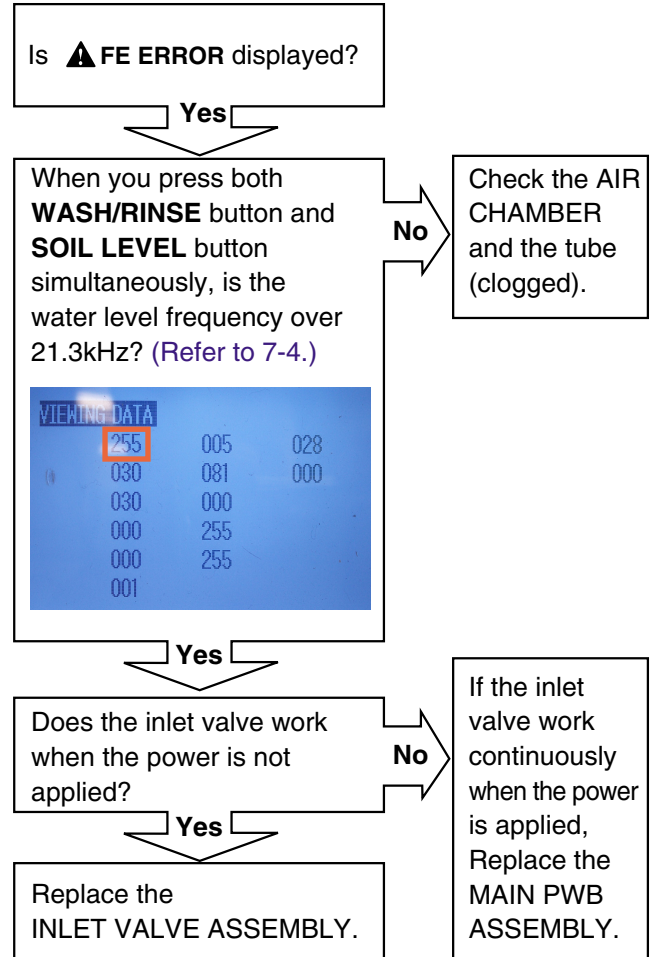
## UNBALANCE ERROR



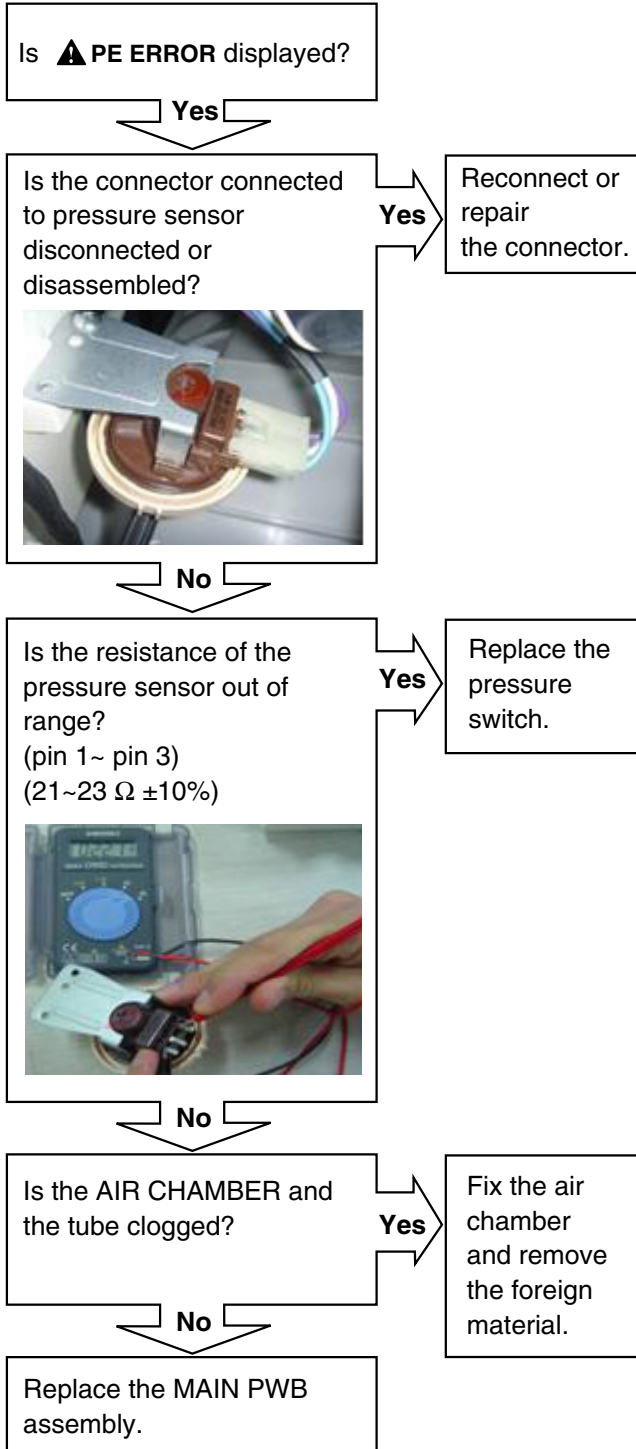
### [Note] Environmental check list

- 1) Removal of transportation-based fixed bolt.
- 2) Confirmation on the material to see if it is capable of handling two different types of blanket materials.

## OVER FLOW ERROR



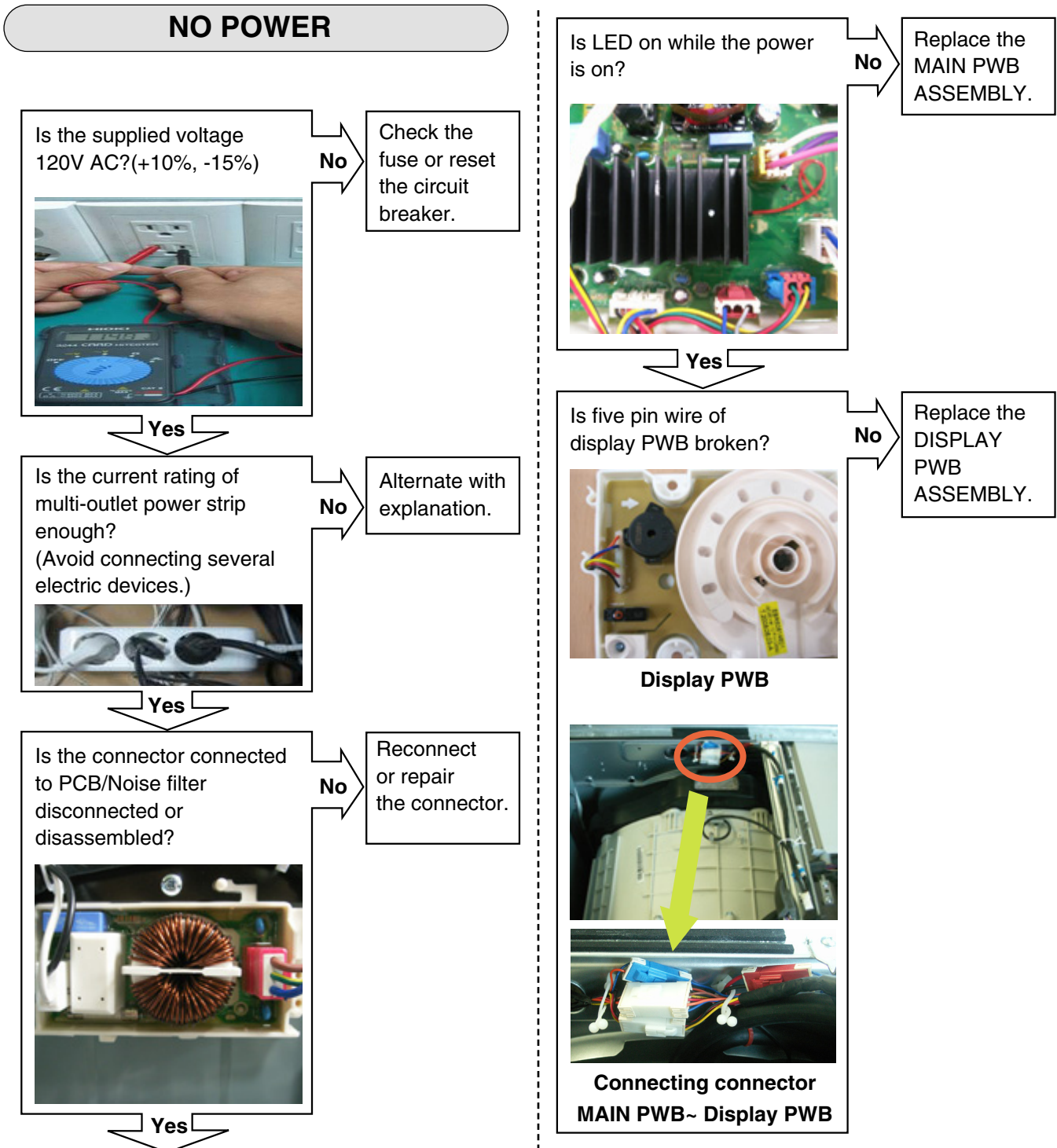
## PRESSURE SENSOR ERROR



## 8-5. TROUBLESHOOTING ELSE

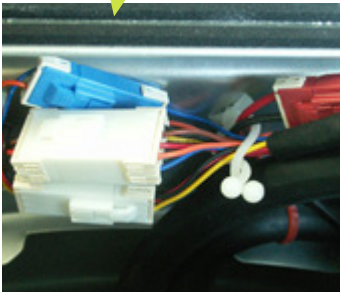
### ⚠ CAUTION

1. Be careful of electric shock if disconnecting parts while troubleshooting.
2. First of all, check the connection of each electrical terminal with the wiring diagram.
3. If you replace the MAIN PWB ASSEMBLY, reinsert the connectors correctly.



## BUTTON DOESN'T WORK

Is the connector connected to Main PWB / Display PWB disconnected or disassembled?



Yes

Reconnect or Repair the connector.

No

Is the button of panel stuck?



Yes

Repair the button.

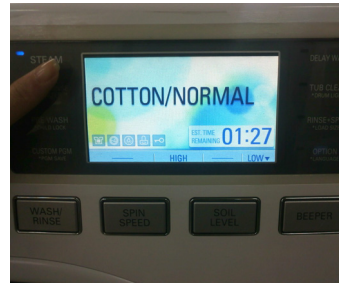


No

Is the display PCB broken? (check the buzzer sound and LED light while push the button.)

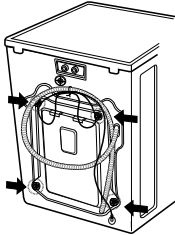
Yes

Replace the DISPLAY PWB ASSEMBLY.



## VIBRATION & NOISE IN SPIN

Have all the transit bolts and base packing been removed?



Yes

No

Remove the transit bolts and Base packing.

Is the washer installed on a solidly constructed floor?

Yes

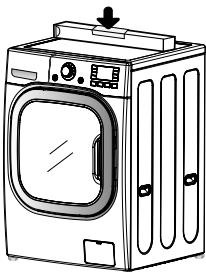
No

Move the washer or reinforce the floor.

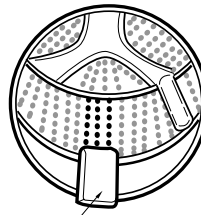
Check if the washer is perfectly level as follows:

Check the leveling of the washer with a level and check that the washer is stable.

Level



Put an unbalance part (rubber) inside of drum and start QC test mode and run in high spin. (Refer to section 7-2.) When the machine is spinning in high speed, verify that it is stable.

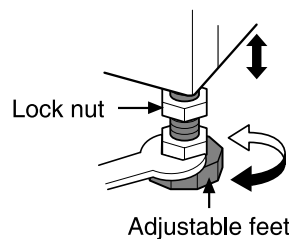


Unbalance Part

If you do not have the unbalance part, put 4.5 to 6.5 lbs (2 to 3 kg) of clothing. Once loaded, press power, Rinse+Spin and the start/pause button in sequence. When the machine is spinning in high speed, verify that it is stable.

Yes

If it is not stable, adjust feet accordingly. After the washer is level, tighten the lock nuts up against of the base of the washer. All lock nuts must be tightened.



Yes

Check the vibration Sensor.

## VIBRATION SENSOR CHECK

1. When you press both **WASH/RINSE** button and **SOIL LEVEL** button simultaneously, is the value of the vibration sensor 001? (Refer to 7~4)

VIEWING DATA		
000	246	154
000	026	000
000	116	
000	061	
022	025	
247		

2. When you press both **SPIN SPEED** button and **SOIL LEVEL** button simultaneously, is the value of the vibration sensor1 0000 or 5535?

WDC TEST MODE		
MAIN: 098 / DISP: UNV33		
NORTH AMERICA STEAM		
WASHER 1300RPM 01		
WATER LEVEL	255	000
WATER/STEAM TEMP.	028	000
MAIN MOTOR RPM	000	000
VIBRATION1 X/Y	5535	5535
VIBRATION2 X/Y	0000	0000
ECO SENSOR	157	

Yes

- Is the connector connected to vibration sensor connected or assembled?



Yes

No

Check the leveling of washer, transit bolts and base packing

No

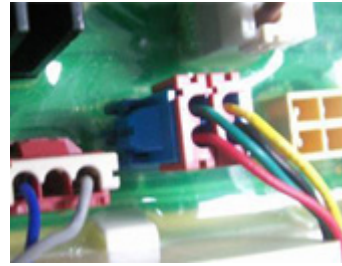
Reconnect or repair the connector

- Is each terminal open?  
(Check the all terminal of the vibration sensor's connector.)



Yes

- Is the connector connected to MAIN PWB assembly connected or assembled?  
(BL2)



Yes

- Is Electrical connection correct?  
(Refer to 9-10 wiring diagram)

Yes

Replace the MAIN PWB ASSEMBLY

No

Replace the vibration sensor

No

Reconnect or repair the connector

No

Replace the TRANS CABLE

### [Note]

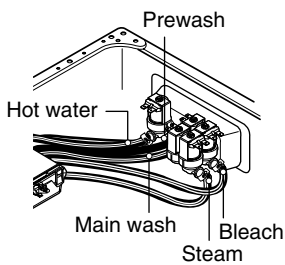
Chances that the cause occurs from the main controller are very little.  
Sensing part of the circuit consists of only resistors and capacitors.

## DETERGENT DOES NOT FLOW IN

Is water supplied? **No** → Refer to NO WATER SUPPLY.

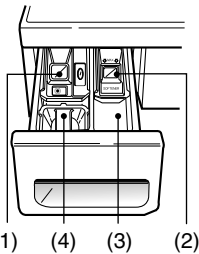
**Yes** ↓

Are receptacles correctly connected to the terminals of the INLET VALVE ASSEMBLY? **No** → Check the wiring.



**Yes** ↓

Has detergent been put in the correct compartment of the dispenser? **No** → Put the detergent in the correct place.

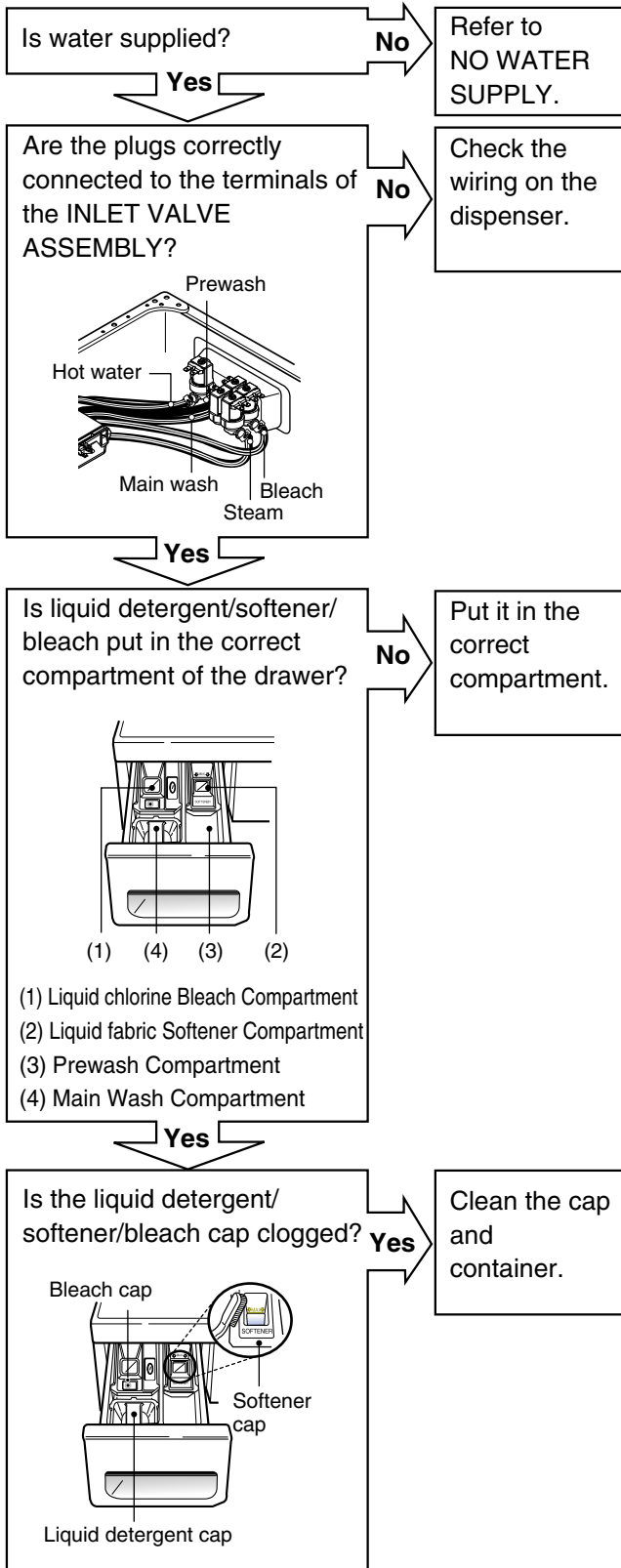


- (1) Liquid chlorine Bleach Compartment
- (2) Liquid fabric Softener Compartment
- (3) Prewash Compartment
- (4) Main Wash Compartment

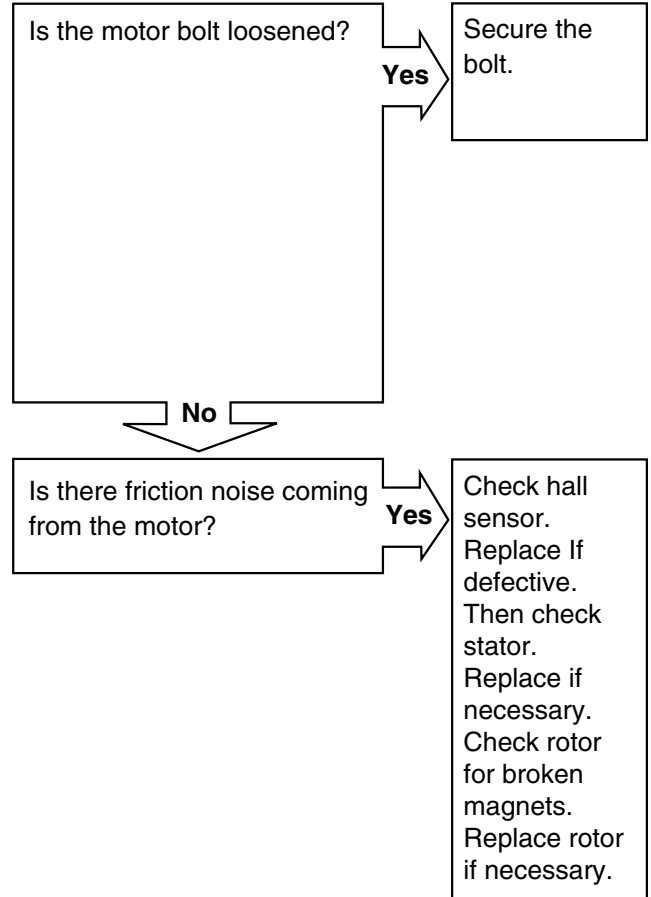
**Yes** ↓

Is the detergent caked or hardened? **Yes** → Clean the dispenser.

## LIQUID DETERGENT/SOFTENER/ BLEACH DOES NOT FLOW IN



## ABNORMAL SOUND



# 9. COMPONENT TESTING INFORMATION

**⚠ WARNING** When Resistance (Ohm) checking the Component, be sure to turn the power off, and do voltage discharge sufficiently.

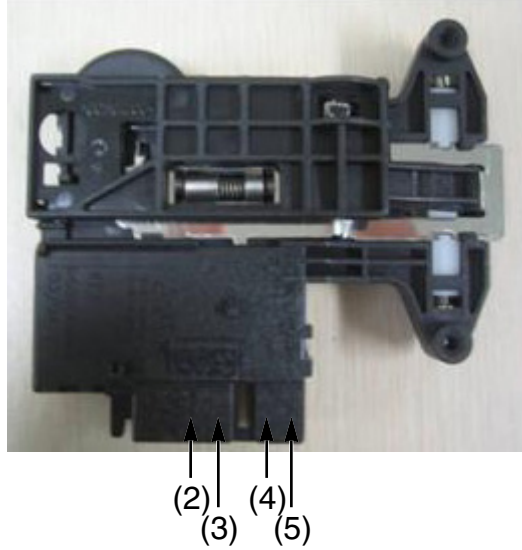
## 9-1. FILTER ASSEMBLY (LINE FILTER)

<p><b>Wiring diagram</b></p>	<p style="text-align: center;"><b>Circuit in the MAIN PWB / Wiring Diagram</b></p>						
<p><b>Test points and Result</b></p>	 <table border="1" style="margin-left: auto; margin-right: auto;"> <thead> <tr> <th>Test Points</th> <th>Result</th> </tr> </thead> <tbody> <tr> <td>WH (1) to RD (3)</td> <td>0 Ω</td> </tr> <tr> <td>WH (3) to RD (1)</td> <td>0 Ω</td> </tr> </tbody> </table>	Test Points	Result	WH (1) to RD (3)	0 Ω	WH (3) to RD (1)	0 Ω
Test Points	Result						
WH (1) to RD (3)	0 Ω						
WH (3) to RD (1)	0 Ω						

## 9-2. DOOR LOCK SWITCH ASSEMBLY

<p><b>Wiring diagram</b></p>	<p style="text-align: center;"><b>Circuit in the MAIN PWB / Wiring Diagram</b></p> <p>The diagram illustrates the electrical circuit for the door lock switch assembly. On the left, the MAIN PWB (Main Printed Wiring Board) contains a MICOM (Microcomputer) connected to two relays. A 12V source is connected to the relays. The relays are connected to terminals YL, BL, RD, BK, and NA4. On the right, the Door switch assembly is shown, which includes a solenoid, two PTCs (Positive Temperature Coefficient), and an AC Common terminal of a valve. The solenoid is connected to terminals 2 and 4, and the PTCs are connected to terminals 3 and 4. The AC Common terminal of the valve is connected to terminal 5. The entire assembly is connected to a Vac (Vacuum) source.</p>
<p><b>Function</b></p>	<p>The door lock switch assembly consists of a heating PTC, a bimetal, a protection PTC, and a solenoid. It locks the door during the wash cycle.</p> <ol style="list-style-type: none"> <li>1. Operation for door closing <ul style="list-style-type: none"> <li>- After the system turns on, PTC heating starts up through terminals 2 and 4 authorizing the power on.</li> <li>- After PTC heating starts up and before solenoid operation is driven, force the system to the off position through CAM.</li> <li>⇒ Door close</li> <li>- Authorizing one impulse through terminal 3~4 (PTC &amp; solenoid) will make the door locked.</li> <li>- Door lock is detected when switches in terminal 4~5 are set closed.</li> <li>⇒ CAM rotation will forcibly clear off the connection.</li> <li style="padding-left: 20px;">The maximum, allowable number of impulse authorizations is 2.</li> <li>⇒ Upon the third authorization of the impulse, the position of CAM goes back to the door-open position.</li> <li>- Authorizing the impulse occurs in 4.5 seconds upon input for max performance and two authorization processes are allowed at most.</li> <li>⇒ Normal operation period of PTC heating: 1.5 – 5 seconds. (Defects from the development process.)</li> </ul> </li> <li>2. Operation for door opening <ul style="list-style-type: none"> <li>- With a temporary stop, door automatically opens by CAM rotations after authorizing the impulse from the terminal, 3 ~ 4 and the power turns off – maximum of 3 times of the authorizing period.</li> <li>- Upon the fourth authorization of the impulse, the position of CAM goes back to the door-close position.</li> </ul> </li> </ol>

**Test points**



**Result**

Test Points	Result	Remarks
(2) to (4)	700-1500 $\Omega$	At 77°F (25°C)
(3) to (4)	60-90 $\Omega$	At 77°F (25°C)
(4) to (5)	Infinity	
(2) to (4)	120 Vac	Voltage Input

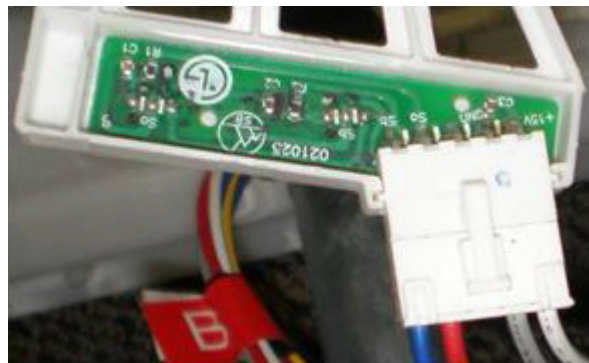
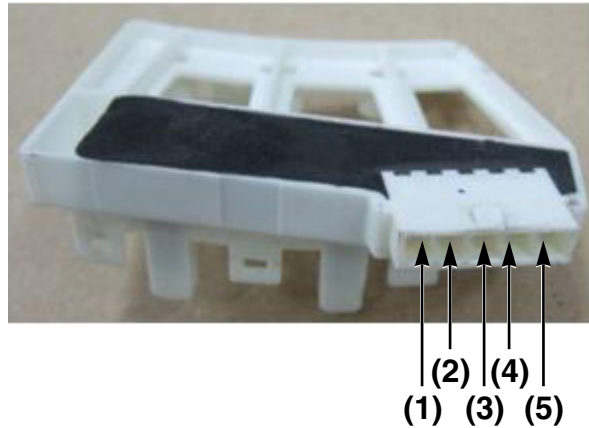
### 9-3. STATOR ASSEMBLY

<p><b>Wiring diagram</b></p>	<p style="text-align: center;"><b>Circuit in the MAIN PWB / Wiring Diagram</b></p>								
<p><b>Function</b></p>	<p>The Direct Drive motor can be driven from stopped to maximum speed in infinite steps in either direction.</p> <p>There are 36 poles on the stator; 12 permanent magnets spaced around the rotor. There are no brushes to wear out. Unlike a more traditional brushless motor, the rotor surrounds the stator rather than being attached to it.</p>								
<p><b>Test points (Windings)</b></p>									
<p><b>Result (Windings)</b></p>	<table border="1" style="margin-left: auto; margin-right: auto;"> <thead> <tr> <th>Test Points</th> <th>Result</th> </tr> </thead> <tbody> <tr> <td>(1) to (2)</td> <td>5-15 Ω</td> </tr> <tr> <td>(2) to (3)</td> <td>5-15 Ω</td> </tr> <tr> <td>(3) to (1)</td> <td>5-15 Ω</td> </tr> </tbody> </table>	Test Points	Result	(1) to (2)	5-15 Ω	(2) to (3)	5-15 Ω	(3) to (1)	5-15 Ω
Test Points	Result								
(1) to (2)	5-15 Ω								
(2) to (3)	5-15 Ω								
(3) to (1)	5-15 Ω								

The hall sensor determines the speed and direction of the motor.  
It also can read that the load is off balance when the drum speed fluctuates.

**Test point  
and  
Result  
(Hall  
Sensor)**

**- Voltage Testing Hall Sensor at Stator**



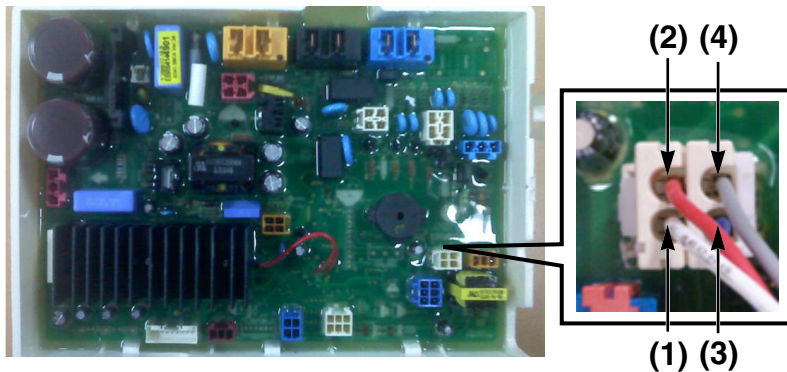
If measuring voltage from the Main PCB Assembly to the Hall Sensor, use the following steps:

1. Unplug power cord.
2. Remove rear washer panel.
3. Locate Hall sensor connector on the stator behind the rotor.
4. Place meter leads on terminals 5 to 4, white to gray.
5. Plug in power cord, close door, and press power button.  
**DO NOT PRESS START!**
6. You should measure 10 to 15 V<sub>DC</sub>. If 10 to 15 V<sub>DC</sub> is present, control board, white wire, and gray wire are OK! If not, follow testing output voltages on control board in next section.

7. To measure output signal voltage from the hall sensor, carefully move test leads to terminals 1 to 4, blue and gray. Slowly rotate motor rotor by hand. You should read a pulsing 10 V<sub>DC</sub>. If 10 V<sub>DC</sub> is measured from 1 to 4, move lead on blue wire to red wire, terminal 2. Repeat rotating motor rotor by hand. You should read a pulsing 10 V<sub>DC</sub> from red to gray.
8. If pulsing 10 V<sub>DC</sub> is measured from 1 to 4 and 2 to 4, hall sensor is OK! If either test netted only 9 to 10 V<sub>DC</sub> without changing (no pulsing) the hall sensor is likely defective. Disconnect power by unplugging washer and ohm check hall sensor to verify failure of the hall sensor.

**Test Point  
and  
Result  
(Hall  
Sensor)**

**- Voltage Testing Hall Sensor from the Main PCB Assembly**



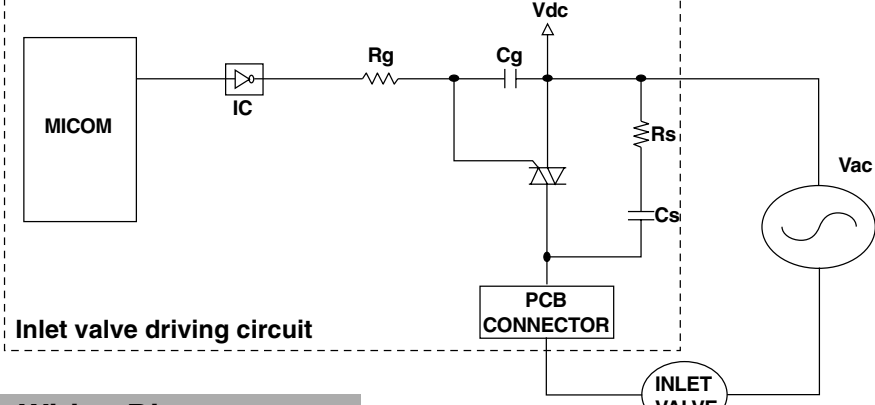
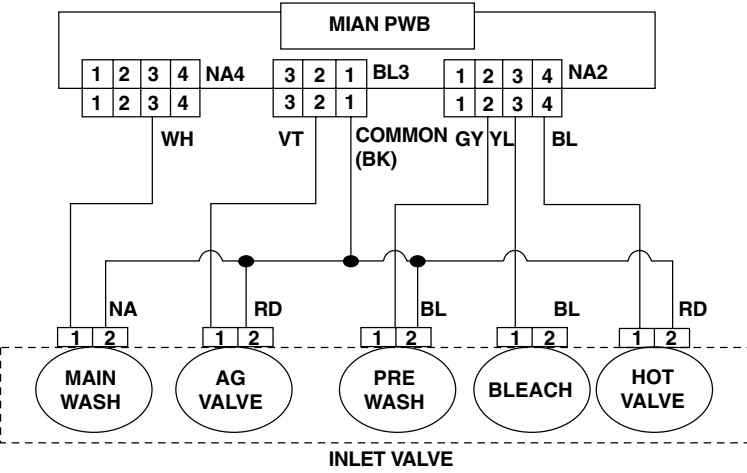
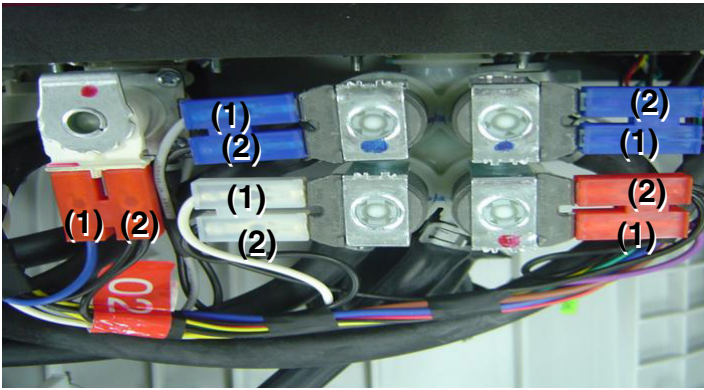
1. Unplug power cord.
2. Remove rear panel.
3. Remove washer top.
4. Remove main PCB assembly cover as shown in figure below.
5. Locate the white hall sensor 4-wire connector using wiring diagram wire colors as your guide.
6. Plug in power cord, close door, and press the button. **DO NOT PRESS START!**
7. Place meter leads on White & Gray wires. You should read 10 to 15 V<sub>DC</sub> output from the Main PCB Assembly to the Hall sensor. If no 10 to 15 V<sub>DC</sub> is measured, the control board is defective.
8. Place meters leads on Blue to Gray. Turn motor rotor slowly by hand. You should measure a pulsing 10 V<sub>DC</sub>. Place meter leads on Red to Gray. Turn motor rotor slowly by hand. You should measure a pulsing 10 V<sub>DC</sub>. If both tests measure a pulsing 10 V<sub>DC</sub>, hall sensor and harness OK. If either or both tests measures 9 to 10 volts, but does not pulse or change, Hall sensor has failed and must be replaced. IF zero (0) voltage is measured on either test, check red blue wires for continuity. Repair or replace harness as needed.

Test Points	Result	Remarks
(1) to (2)	8-12 k $\Omega$	
(1) to (3)	8-12 k $\Omega$	
(1) to (4)	10-15 V <sub>DC</sub>	Voltage Input
(2) to (4)	10 V <sub>DC</sub>	Pulsing Signal
(3) to (4)	10 V <sub>DC</sub>	Pulsing Signal

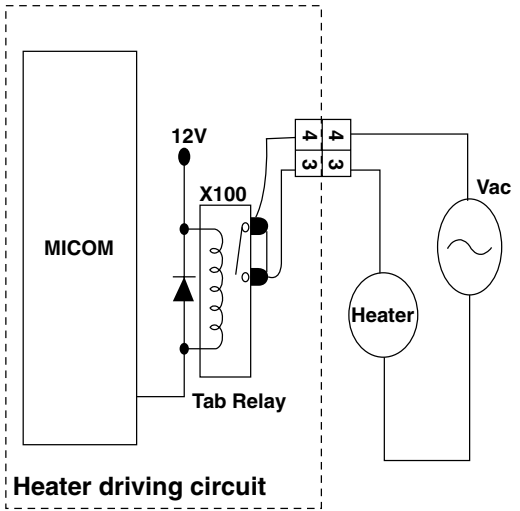
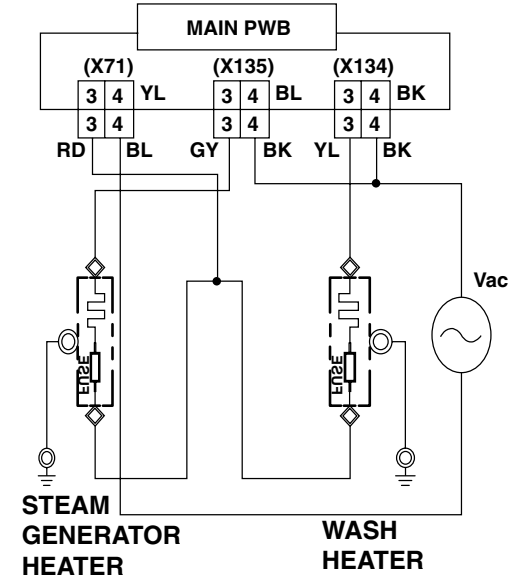
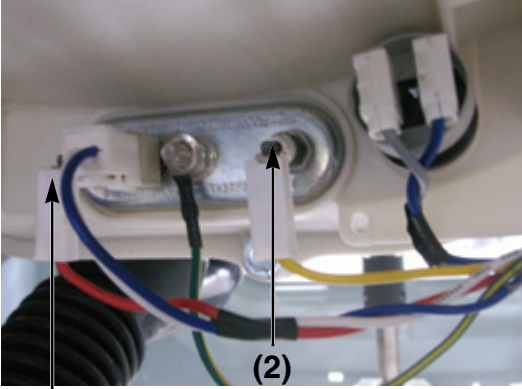
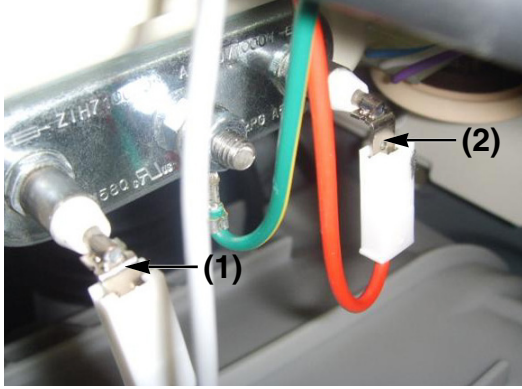
# 9-4. PUMP MOTOR ASSEMBLY

<p><b>Wiring diagram</b></p>	<div style="display: flex; justify-content: space-around;"> <div style="border: 1px solid black; padding: 5px; background-color: #f0f0f0; width: 45%;"> <p style="text-align: center;"><b>Circuit in the MAIN PWB</b></p> <p style="text-align: center;"><b>Pump Driving circuit</b></p> </div> <div style="border: 1px solid black; padding: 5px; background-color: #f0f0f0; width: 45%;"> <p style="text-align: center;"><b>Wiring Diagram</b></p> <p style="text-align: center;">* Each circuits of loads in wiring diagram are all same.</p> </div> </div>												
<p><b>Object</b></p>	<p style="text-align: center;">For Drain                      For Circulation</p>												
<p><b>Function</b></p>	<p>Two pump motors are used to drain the tub and to circulate the water / detergent solution.</p>												
<p><b>Test points</b></p>	<div style="display: flex; justify-content: space-around;"> <div style="text-align: center;"> <p><b>Drain Pump</b></p> <p>(1)(2)</p> </div> <div style="text-align: center;"> <p><b>Circulation Pump</b></p> <p>(1)(2)</p> </div> <div style="text-align: center;"> <p>(1)                      (2)</p> </div> </div>												
<p><b>Result</b></p>	<table border="1" style="width: 100%; text-align: center;"> <thead> <tr> <th colspan="2">Drain Pump</th> <th colspan="2">Circulation Pump</th> </tr> <tr> <th>Test Points</th> <th>Result</th> <th>Test Points</th> <th>Result</th> </tr> </thead> <tbody> <tr> <td>(1) to (2)</td> <td>10-20 Ω</td> <td>(1) to (2)</td> <td>18-30 Ω</td> </tr> </tbody> </table>	Drain Pump		Circulation Pump		Test Points	Result	Test Points	Result	(1) to (2)	10-20 Ω	(1) to (2)	18-30 Ω
Drain Pump		Circulation Pump											
Test Points	Result	Test Points	Result										
(1) to (2)	10-20 Ω	(1) to (2)	18-30 Ω										

## 9-5. INLET VALVE ASSEMBLY

<p><b>Wiring diagram</b></p>	<div style="text-align: center; background-color: #cccccc; padding: 5px; margin-bottom: 10px;"><b>Circuit in the MAIN PWB</b></div>  <div style="text-align: center; background-color: #cccccc; padding: 5px; margin-top: 10px;"><b>Wiring Diagram</b></div>  <p style="text-align: center;">* Each circuits of loads in wiring diagram are all same.</p>				
<p><b>Function</b></p>	<p>Depending on the cycle and water temperature, the controller will energize the hot or cold water valve solenoids to meet the selected water temperature.</p>				
<p><b>Test points and Result</b></p>	<p>After pull out the connector of defective valve, check the resistance.</p>  <table border="1" style="float: right; margin-top: 10px;"> <tr> <td>Test points</td> <td>(1)-(2)</td> </tr> <tr> <td>Result</td> <td>0.8-1.2 kΩ</td> </tr> </table>	Test points	(1)-(2)	Result	0.8-1.2 kΩ
Test points	(1)-(2)				
Result	0.8-1.2 kΩ				

# 9-6. HEATER ASSEMBLY

<p><b>Wiring diagram</b></p>	<div style="display: flex; justify-content: space-around;"> <div style="border: 1px solid gray; padding: 5px; width: 45%;"> <p style="text-align: center;"><b>Circuit in the MAIN PWB</b></p>  <p style="text-align: center;"><b>Heater driving circuit</b></p> </div> <div style="border: 1px solid gray; padding: 5px; width: 45%;"> <p style="text-align: center;"><b>Wiring diagram</b></p>  <p style="text-align: center;"><b>STEAM GENERATOR HEATER</b>      <b>WASH HEATER</b></p> </div> </div> <p style="text-align: right; margin-top: 10px;">* Each circuits of loads in wiring diagram are all same.</p>													
<p><b>Function</b></p>	<ol style="list-style-type: none"> <li>1. The wash heater is designed to raise the wash water to the desired temperature selection during certain wash cycles.</li> <li>2. The steam generator heater is designed to make the water to the steam during steam cycles.</li> </ol>													
<p><b>Test points</b></p>	 <p style="text-align: center;">(1)      Wash Heater</p>	 <p style="text-align: center;">(1)      Steam Generator Heater</p>												
<p><b>Result</b></p>	<table border="1" style="width: 100%; border-collapse: collapse;"> <thead> <tr> <th colspan="2" style="text-align: center;">Wash Heater</th> <th colspan="2" style="text-align: center;">Steam Generator Heater</th> </tr> <tr> <th style="width: 25%;">Test Points</th> <th style="width: 25%;">Result</th> <th style="width: 25%;">Test Points</th> <th style="width: 25%;">Result</th> </tr> </thead> <tbody> <tr> <td style="text-align: center;">(1) to (2)</td> <td style="text-align: center;">12-18 Ω</td> <td style="text-align: center;">(1) to (2)</td> <td style="text-align: center;">12-18 Ω</td> </tr> </tbody> </table>		Wash Heater		Steam Generator Heater		Test Points	Result	Test Points	Result	(1) to (2)	12-18 Ω	(1) to (2)	12-18 Ω
Wash Heater		Steam Generator Heater												
Test Points	Result	Test Points	Result											
(1) to (2)	12-18 Ω	(1) to (2)	12-18 Ω											

## 9-7. THERMISTOR ASSEMBLY

<p><b>Wiring diagram</b></p>	<p style="text-align: center;"><b>Circuit in the MAIN PWB / Wiring Diagram</b></p> <p>The diagram illustrates the electrical connection between the thermistors and the MAIN PWB. On the left, two thermistors are shown: the WASH THERMISTOR and the STEAM GENERATOR THERMISTOR. Each has two terminals labeled 1 and 2. The WASH THERMISTOR terminals are connected to pins 1 and 2 of connector NA3. The STEAM GENERATOR THERMISTOR terminals are connected to pins 3 and 4 of connector NA3. The MAIN PWB circuit, enclosed in a dashed box, features two identical signal paths. Each path starts with a 5V supply, followed by a resistor (R) and a capacitor (C) in parallel. The signal then passes through another resistor (R) and a second capacitor (C) in parallel before reaching the MICOM component. The ground connections for the 5V supplies and the second capacitors are shown.</p>
<p><b>Function</b></p>	<p>The thermistor (temperature sensor) is used to monitor water temperature in the tub or steam generator.</p>
<p><b>Test points</b></p>	<div style="display: flex; justify-content: space-around;"> <div style="text-align: center;"> <p><b>Wash Thermistor</b></p> </div> <div style="text-align: center;"> <p><b>Steam Generator Thermistor</b></p> </div> </div>


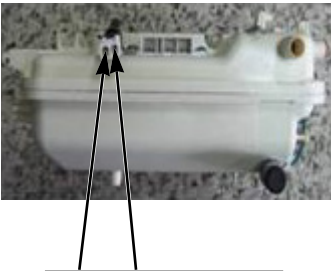
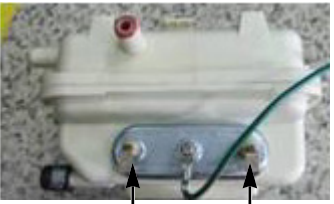
**Result****Wash Thermistor**

Test Points	Result (tolerance $\pm 5\%$ )	Remarks
(1) to (2)	39.5 k $\Omega$	At 86°F (30°C)
	26.1 k $\Omega$	At 104°F (40°C)
	12.1 k $\Omega$	At 140°F (60°C)
	8.5 k $\Omega$	At 158°F (70°C)
	3.8 k $\Omega$	At 203°F (95°C)
	2.8 k $\Omega$	At 221°F (105°C)

**Steam generator Thermistor**

Test Points	Result (tolerance $\pm 5\%$ )	Remarks
(1) to (2)	39.5 k $\Omega$	At 86°F (30°C)
	26.1 k $\Omega$	At 104°F (40°C)
	12.1 k $\Omega$	At 140°F (60°C)
	8.5 k $\Omega$	At 158°F (70°C)
	3.8 k $\Omega$	At 203°F (95°C)
	2.8 k $\Omega$	At 221°F (105°C)
	2.1 k $\Omega$	At 241°F (116°C)
	1.4 k $\Omega$	At 266°F (130°C)
	1.0 k $\Omega$	At 293°F (145°C)
	0.7 k $\Omega$	At 320°F (160°C)
	0.4 k $\Omega$	At 356°F (180°C)

## 9-8. STEAM GENERATOR ASSEMBLY

<p><b>Wiring diagram</b></p>	<p style="text-align: center;"><b>Steam generator Water level sensor circuit in the MAIN PWB / wiring diagram</b></p> <p style="text-align: center;"><b>Heater &amp; Thermistor : Refer to the 9-6 / 9-7</b></p>
<p><b>Original</b></p>	<div style="display: flex; justify-content: space-around; align-items: center;"> <div style="text-align: center;">  <p><b>WATER LEVEL SENSOR</b></p> </div> <div style="text-align: center;">  <p><b>THERMISTOR ASSEMBLY</b></p> </div> <div style="text-align: center;">  <p><b>HEATER ASSEMBLY</b></p> </div> </div>
<p><b>Test points</b></p>	<p><b>1. Steam generator</b></p> <p><b>1) Construction of steam generator</b></p> <p>Inlet valve that controls supplying water, Water level sensor that sense amount of water supply, thermistor ASSEMBLY the sense inner temperature of steam generator, heater assembly that heats water supply, steam generator CASE that is container of water supply, nozzle, hose of water supply.</p>

## Function

### 2) Operation mechanism of Steam generator

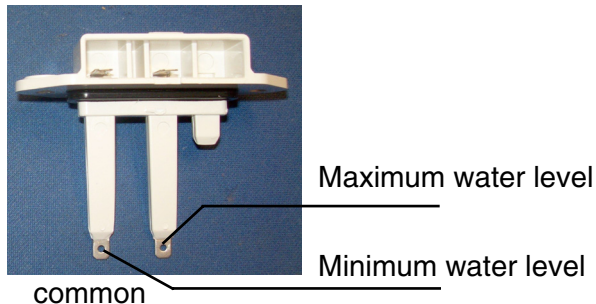
After supplying some amount of water through inlet valve and water level sensor, the heater operates and steam generates. Generated steam is sprayed by nozzle. If the water in the steam generator is reduced by spraying steam, the water level sensor signals the board to refill the steam generator.

### 3) Operation method of Steam generator

The steam generator assembly is supplied as an assembly only; parts like the water level sensor, thermistor, or heater cannot be replaced individually. Diagnosis is limited to determining malfunction and replacing as an assembly. The steam generator does not have to be removed from the machine to be drained. Be sure to let the water cool to avoid a burn. Have a hose available to slip onto the connector or a large towel to catch the water so it doesn't run down into the machine cabinet. If you remove the steam generator before draining it, be sure to avoid tipping it and spilling the water.

## 2. Water level sensor

### 1) Structure of water level sensor



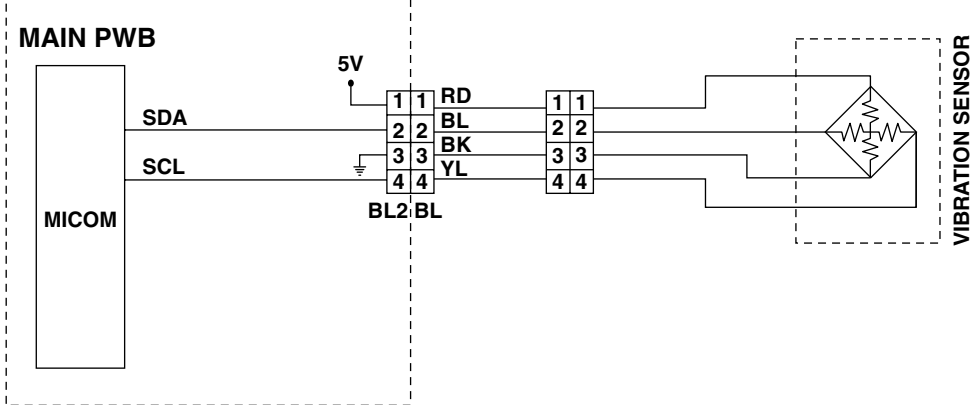
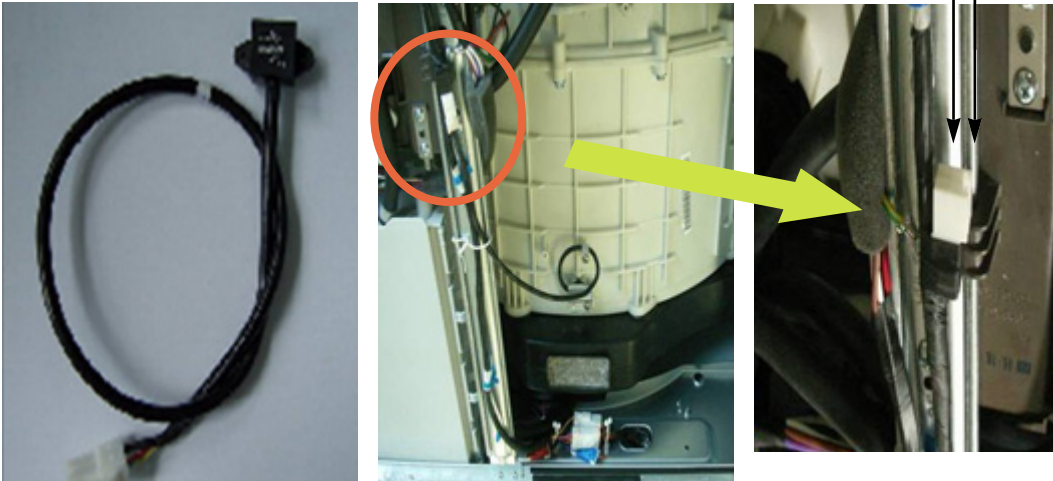
### 2) Function of Water level sensor

It determines the water level in the steam generator and keeps it full protect the heating element.

## 9-9. LAMP

<p><b>Wiring diagram</b></p>	<p style="text-align: center;"><b>Circuit in the MAIN PWB / Wiring Diagram</b></p>						
<p><b>Function</b></p>	<p>The Lamp (Drum Light) comes on when the POWER button is pressed. It goes off when the door is closed and the washer starts operation. It remains off when the door is locked. It can be turned on while the washer is in operation by pressing the RINSE+SPIN button for 3 seconds.</p> <p>The lamp will turn off automatically 4 minutes later. It comes on when the washing cycle is finished and goes off 4 minutes later.</p>						
<p><b>Test points</b></p>	<p style="text-align: center;"><b>Original</b></p> <p style="text-align: center;">(1) (3)</p>						
<p><b>Result</b></p>	<table border="1" style="width: 100%; border-collapse: collapse;"> <thead> <tr> <th style="width: 33%;">Test Points</th> <th style="width: 33%;">Result</th> <th style="width: 33%;">Remarks</th> </tr> </thead> <tbody> <tr> <td>(3) to (1)</td> <td>16.5 Vdc</td> <td>Voltage Input</td> </tr> </tbody> </table>	Test Points	Result	Remarks	(3) to (1)	16.5 Vdc	Voltage Input
Test Points	Result	Remarks					
(3) to (1)	16.5 Vdc	Voltage Input					

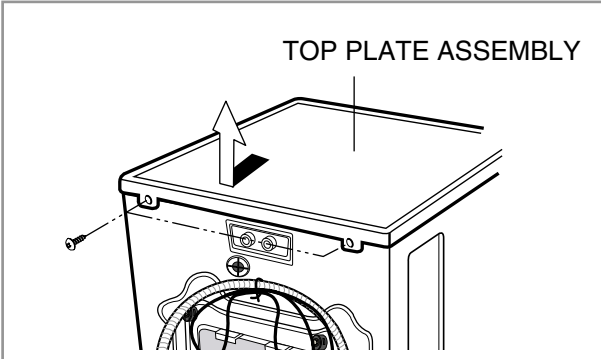
## 9-10. VIBRATION SENSOR ASSEMBLY

<p><b>Wiring diagram</b></p>	<p style="text-align: center;"><b>Circuit in the MAIN PWB / Wiring Diagram</b></p> 						
<p><b>Function</b></p>	<p>The vibration sensor is designed to decrease the vibration of the washing machine. It is attached to the top of the tub. It estimates the vibration of washing machine's tub during drying. And, it reduces the vibration and the noise of washing machine.</p>						
<p><b>Test points</b></p>	<p style="text-align: center;"><b>Vibration Sensor</b></p>  <p style="text-align: center;"><b>Original</b></p>						
<p><b>Result</b></p>	<table border="1" style="width: 100%; border-collapse: collapse;"> <thead> <tr> <th style="width: 33%;">Test Points</th> <th style="width: 33%;">Result</th> <th style="width: 33%;">Remarks</th> </tr> </thead> <tbody> <tr> <td>(1) to (3)</td> <td>5.0 Vdc</td> <td>Voltage Input</td> </tr> </tbody> </table>	Test Points	Result	Remarks	(1) to (3)	5.0 Vdc	Voltage Input
Test Points	Result	Remarks					
(1) to (3)	5.0 Vdc	Voltage Input					

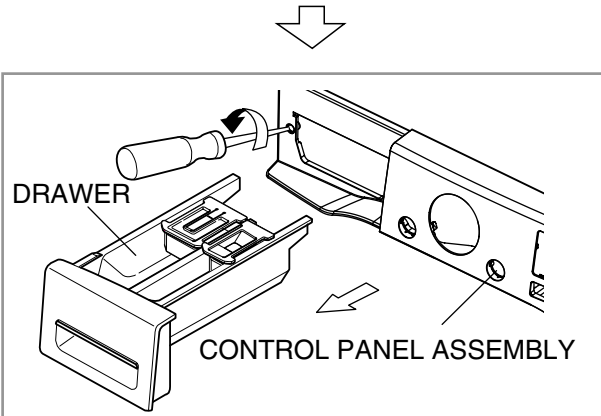
# 10. DISASSEMBLY INSTRUCTIONS

\* Be sure to unplug the machine before disassembling and repairing the parts.

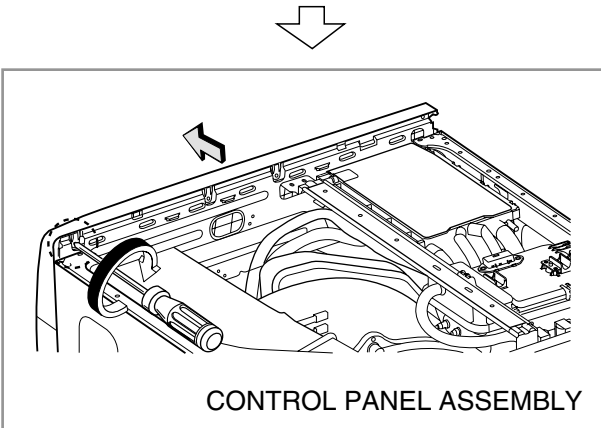
## CONTROL PANEL



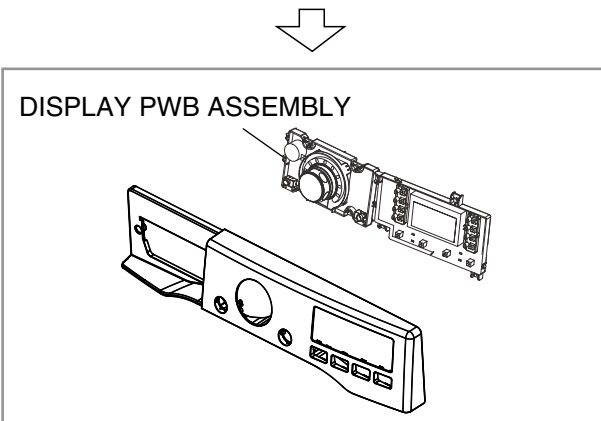
- ① Unscrew 2 screws on the back of the top plate.
- ② Pull the top plate backward and upward as shown.



- ③ Disconnect the Display PWB assembly connector from the cabling.
- ④ Pull out the drawer and unscrew 2 screws.

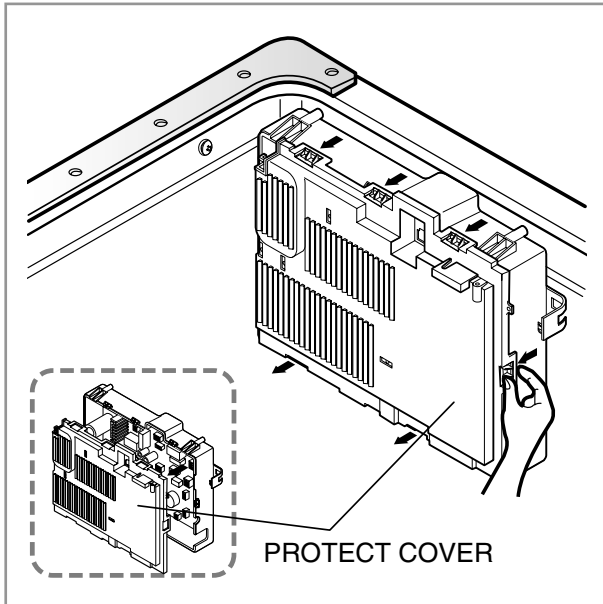


- ⑤ Remove one screw.
- ⑥ Lift the side the control panel assembly and pull it out.

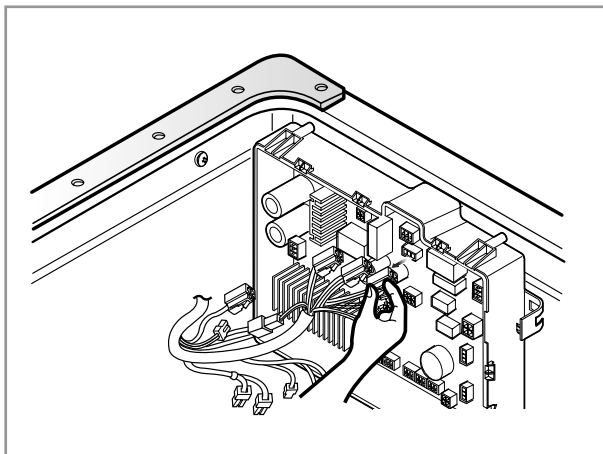


- ⑦ Unscrew the 8 screws from the control panel assembly.
- ⑧ Disassemble the display PWB assembly.

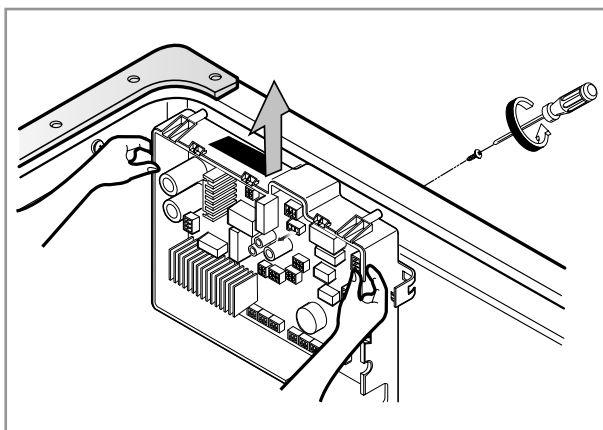
## MAIN PWB ASSEMBLY



- ① Disconnect the POWER connector and the pressure switch assembly.
- ② Remove the protective cover.

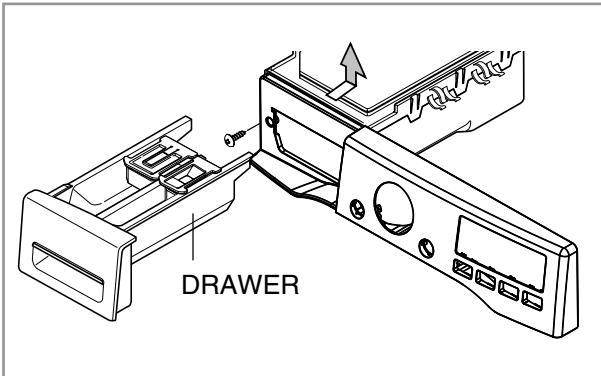


- ③ Disconnect the connectors.

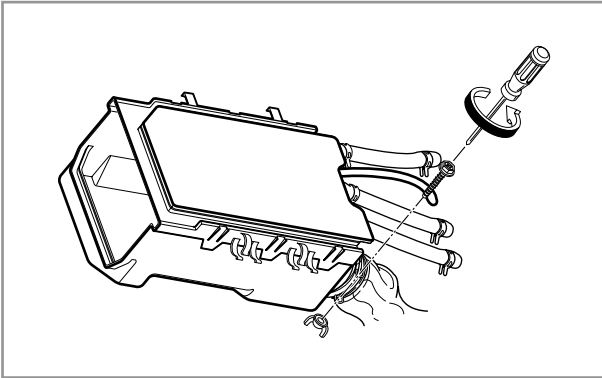


- ④ Unscrew 1 screw on the back.
- ⑤ Remove the main PWB.

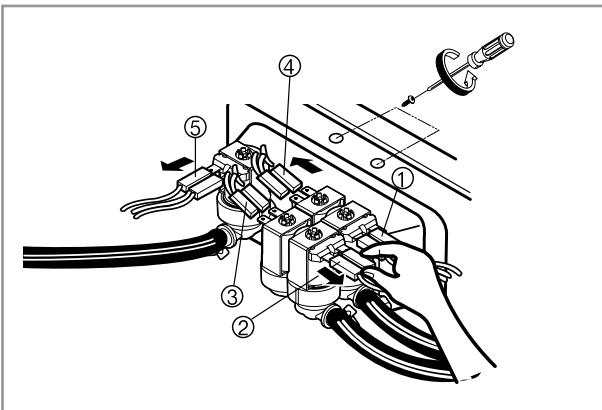
## DISPENSER ASSEMBLY



- ① Disassemble the top plate assembly.
- ② Pull out the drawer.
- ③ Push out the dispenser assembly after unscrewing 2 screws.



- ④ Unscrew the clamp nut at the lower part of the dispenser.



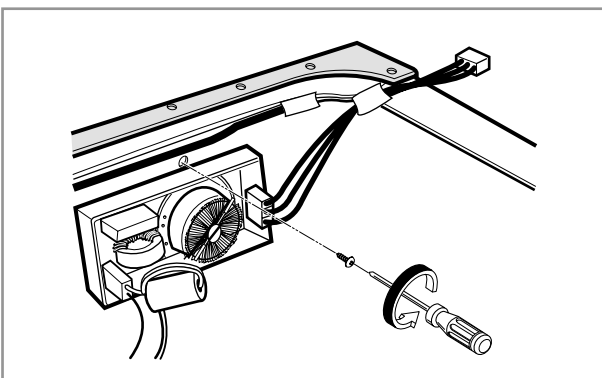
- ⑤ Disassemble the 4 connectors from the valves.

### ※ Wire Color

- ① Blue Housing (YL-BK)
- ② Red Housing (VT-BK)
- ③ White Housing (WH-BK)
- ④ Blue Housing (GY-BK)
- ⑤ Red Housing (BL-BK)

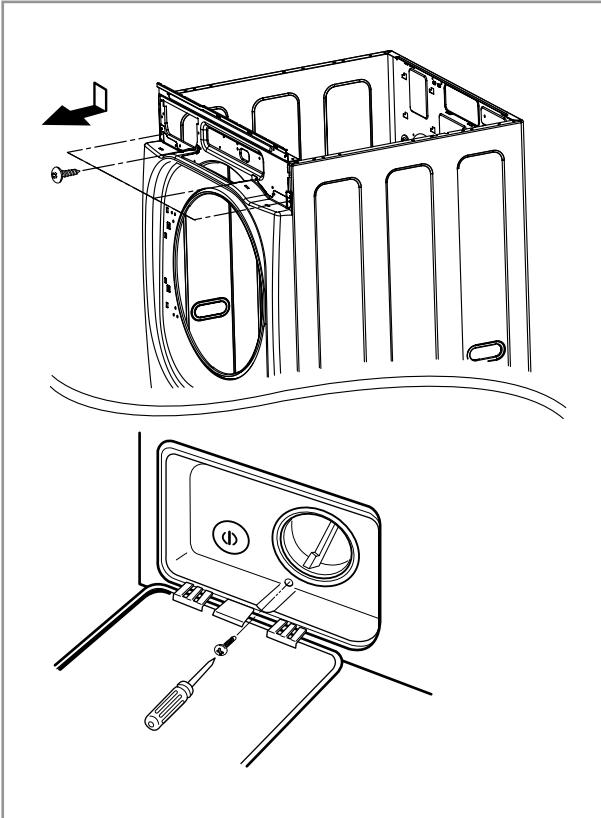
- ⑥ Unscrew 2 screws from the back of the cabinet.

## NOISE FILTER

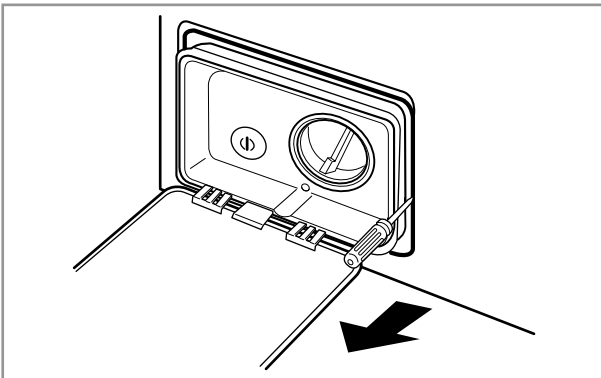


- ① Disassemble two (or three) connectors from the noise filter.
- ② Unscrew a screw from the top bracket.

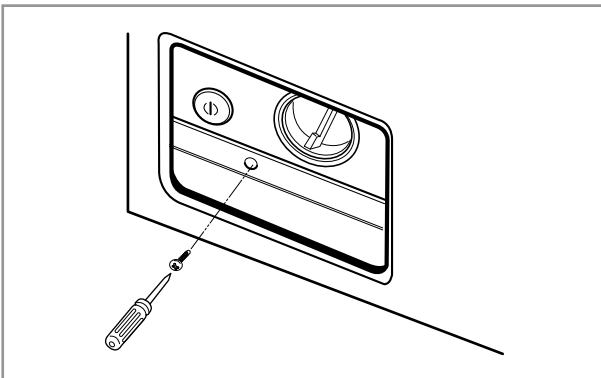
## CABINET COVER



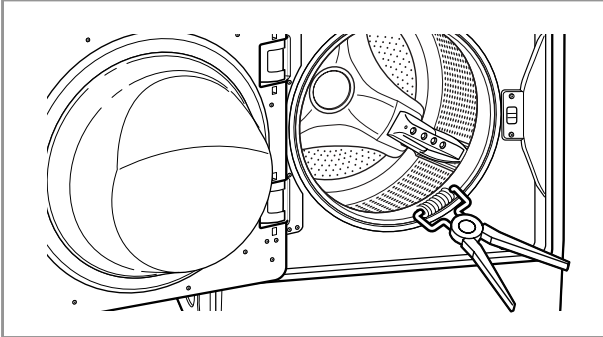
- ① Unscrew the 5 screws from upper of the cabinet cover.
- ② Unscrew the screw from the filter cover.



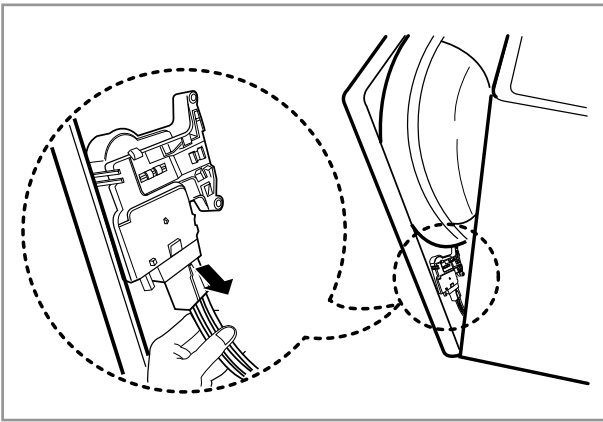
- ③ Put a flat ( - ) screwdriver or putty knife into the hinge slots at the bottom of the cover and pry it out.



- ④ Unscrew the screw from the lower side of the cabinet cover.

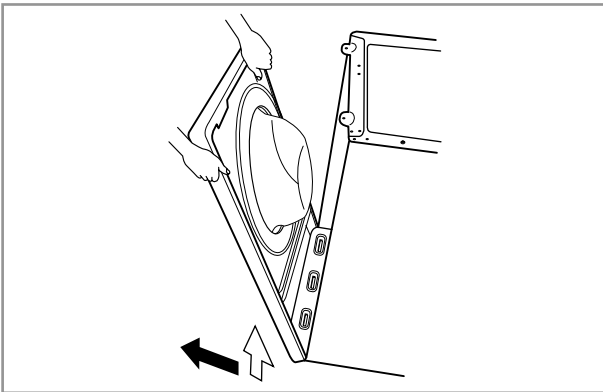


- ⑤ Open the door.
- ⑥ Disassemble the clamp assembly.

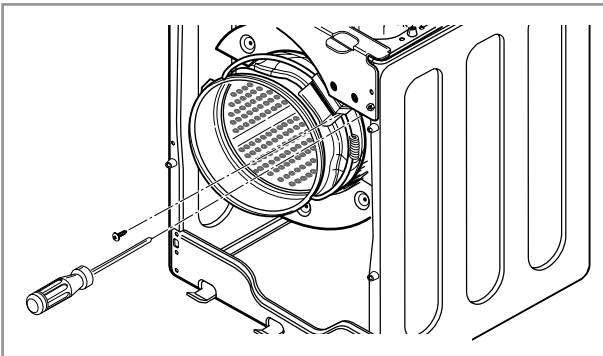


- ⑦ Tilt the cabinet cover.
- ⑧ Disconnect the door switch connector.

※ **NOTE** : When assembling the cabinet cover, connect the door switch connector.

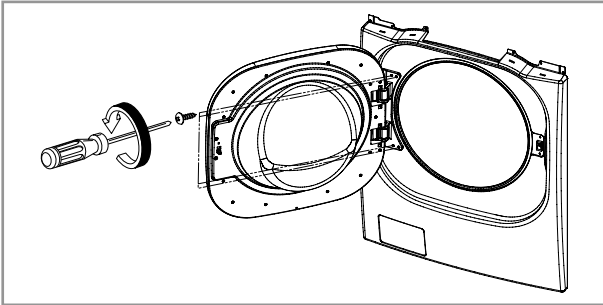


- ⑨ Lift and separate the cabinet cover.

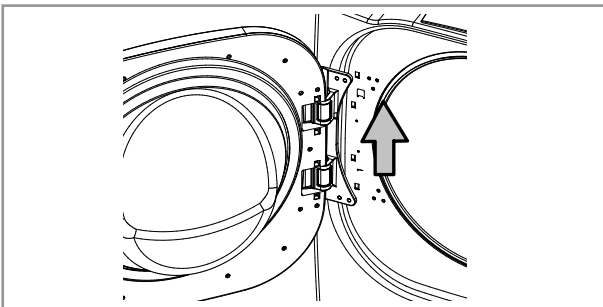


- ⑩ Disassemble the clamp assembly.
- ⑪ Disassemble the gasket.

## DOOR

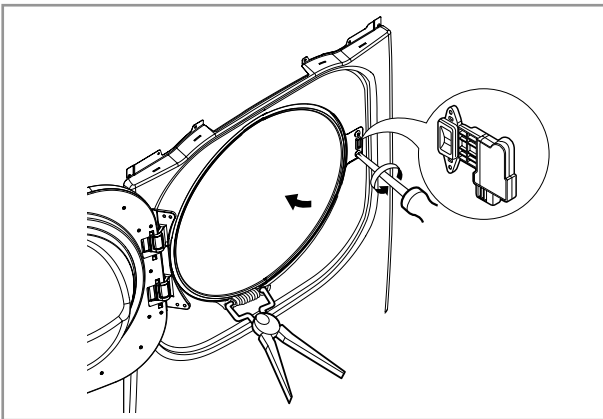


- ① Open the door.
- ② Unscrew the 4 screws from the hinge.  
(Use the 8mm tool.)



- ③ Disassemble the door upward.

## DOOR LOCK SWITCH ASSEMBLY

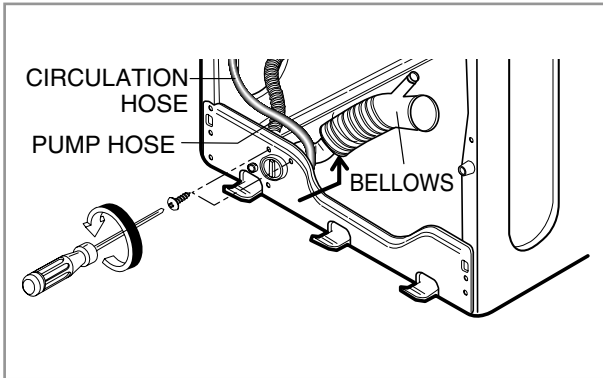


- ① Open the door and remove the gasket using the special gasket pliers.
- ② Unscrew the 2 screws.

### ※ NOTE

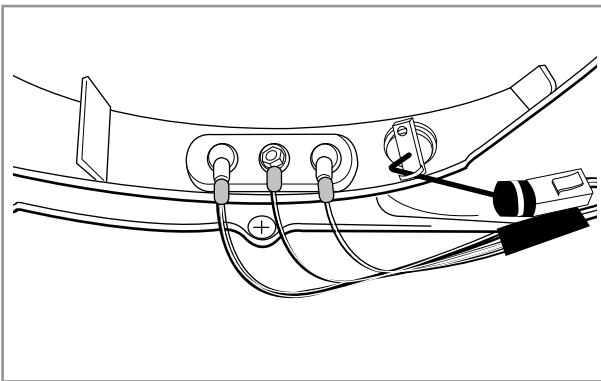
- Reconnect the connector after replacing the door switch assembly.

## PUMP



- ① Disassemble the cabinet cover.
- ② Separate the pump hose, the bellows, the circulation hose assembly from the pump assembly.
- ③ Disassemble the pump assembly.

## HEATER

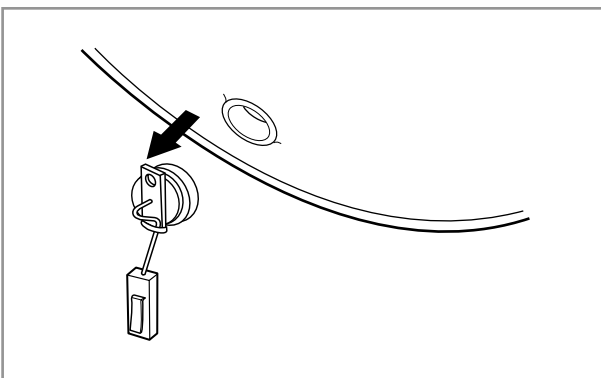


- ① Disassemble the cabinet cover.
- ② Separate 2 connectors from the heater.
- ③ Loosen the nut and pull out the heater.

### ※ CAUTION

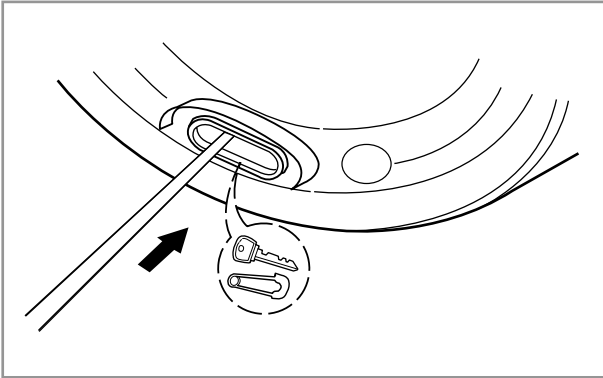
- When assembling the heater, insert the heater into the heater clip on the bottom of the tub.
- Tighten the fastening nut so the heater is secure.

## THERMISTOR



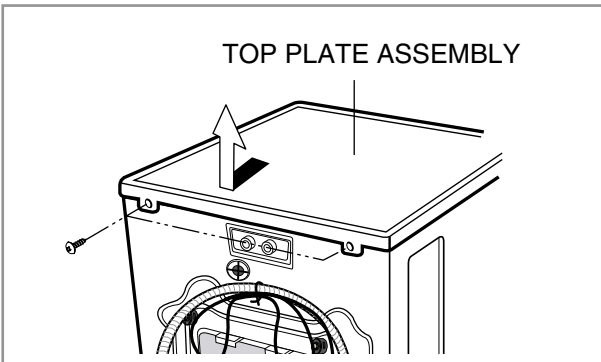
- ① Disassemble the cabinet cover.
- ② Unplug the white connector from the thermistor.
- ③ Pull it out by holding the bracket of the thermistor.

## WHEN FOREIGN OBJECT IS STUCK BETWEEN DRUM AND TUB

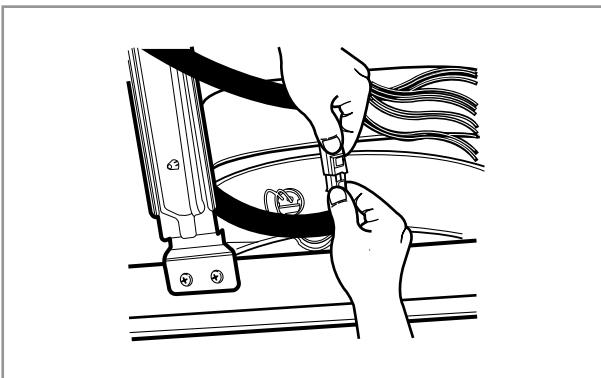


- ① Disassemble the cabinet cover.
- ② Separate the heater from the tub.
- ③ Remove any foreign objects (wire, coin, etc.) by inserting a long bar in the opening.

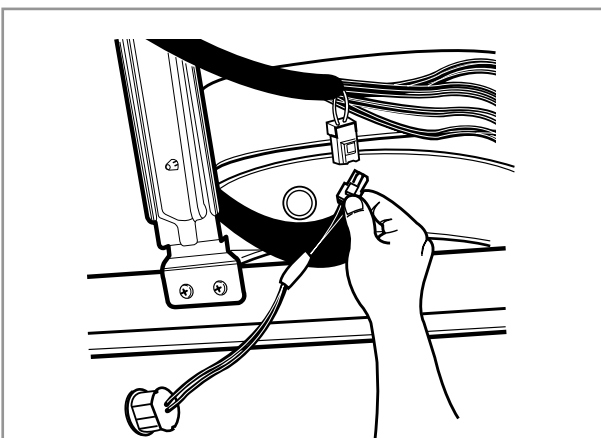
## LAMP ASSEMBLY



- ① Unscrew 2 screws on the back of the top plate.
- ② Pull the top plate backward and upward as shown.

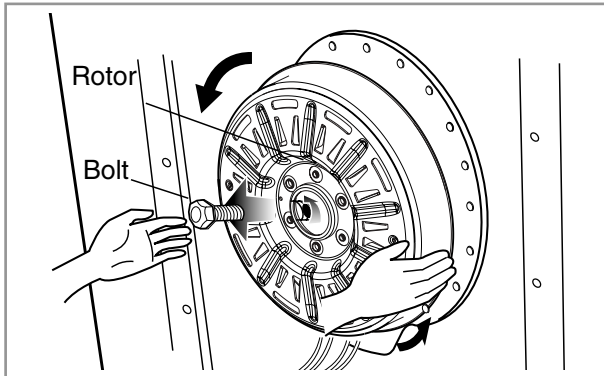


- ③ Disconnect the connector.

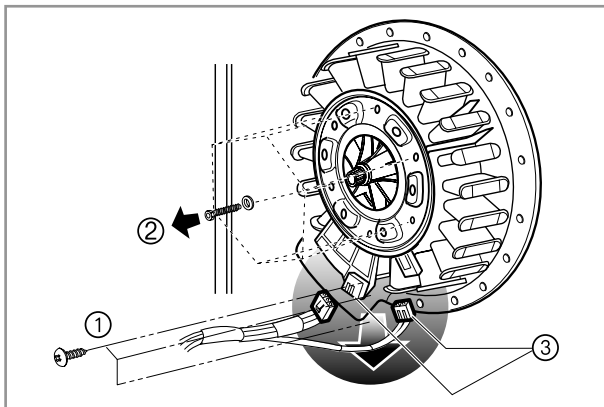


- ④ Disassemble the lamp assembly.

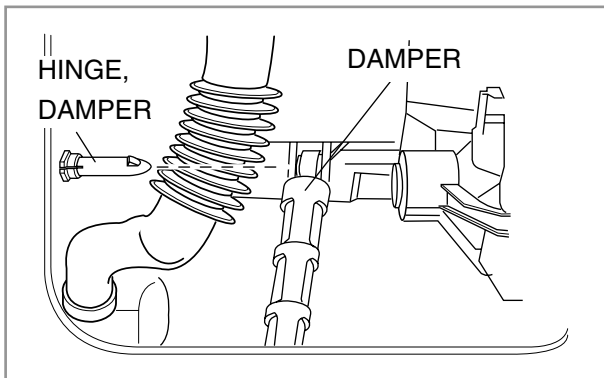
## MOTOR/DAMPER



- ① Disassemble the back cover.
- ② Remove the bolt.
- ③ Pull out the rotor.



- ① Unscrew the 2 screws from the tub bracket.
- ② Remove the 6 bolts on the stator.
- ③ Unplug the 2 connectors from the stator.

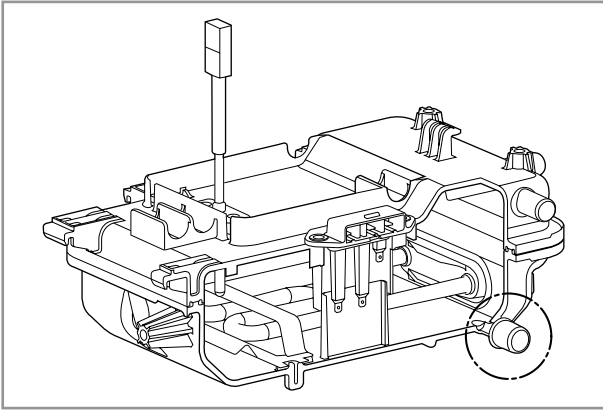


- ① Disassemble the damper hinges from the tub and base.

### ※ NOTE

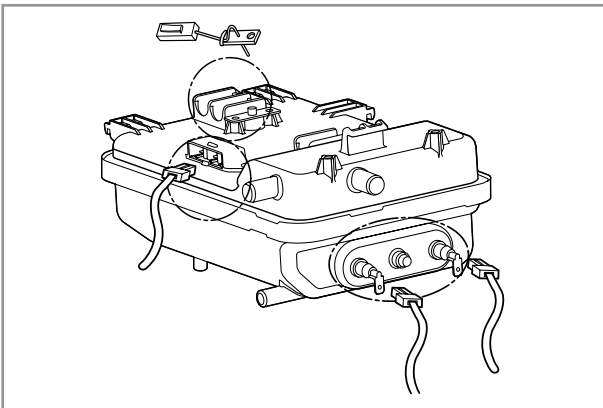
- If you pull the dampers apart, they must be replaced. If you do not separate them, they can be re-used.

## Checking the TSG (TURBO STEAM GENERATOR)

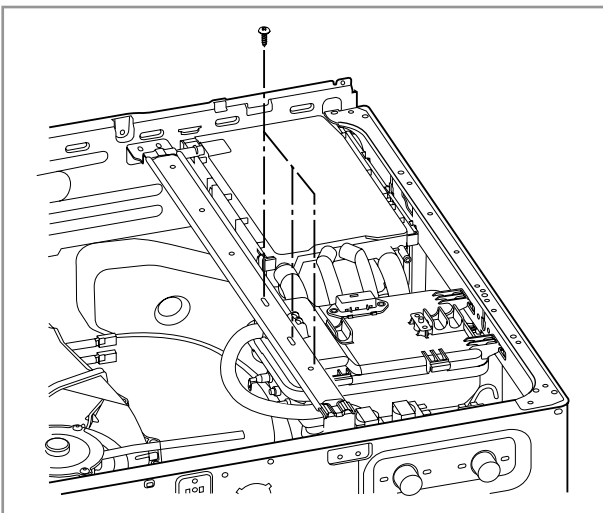


- ① To check out the fault diagnosis of TSG, you can pull out the plug and let the water drain away.
- ② Be cautious in case of the TSG is hot.

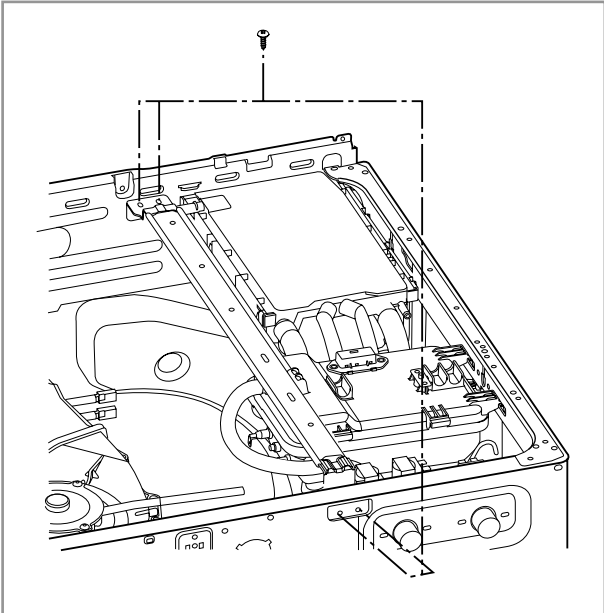
## TSG (TURBO STEAM GENERATOR)



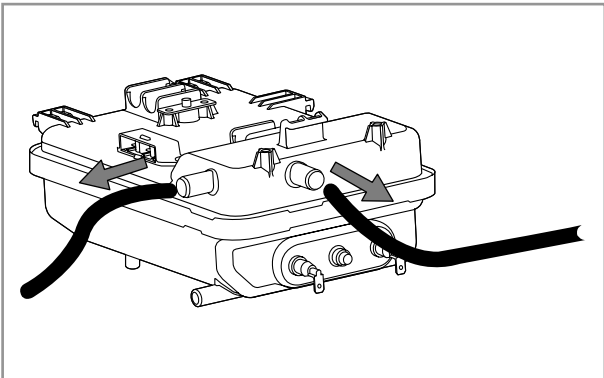
- ① Remove the housing attached to the TSG. (Heater, Water level frequency-sensor, Thermistor.)



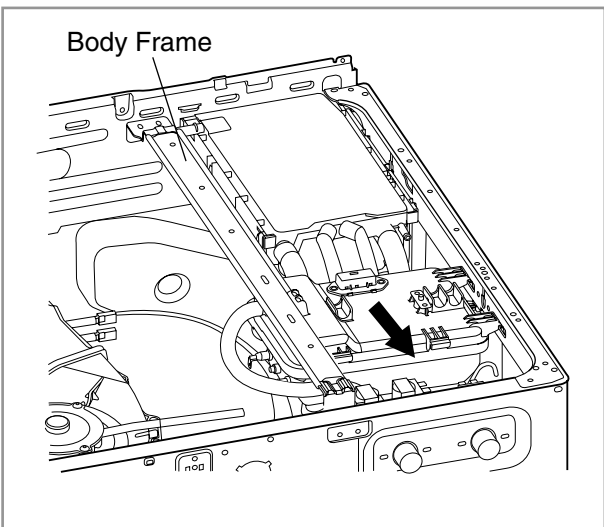
- ② Remove the screw of the TSG and body frame.



- ③ Remove the screws from both ends of the frame rail.



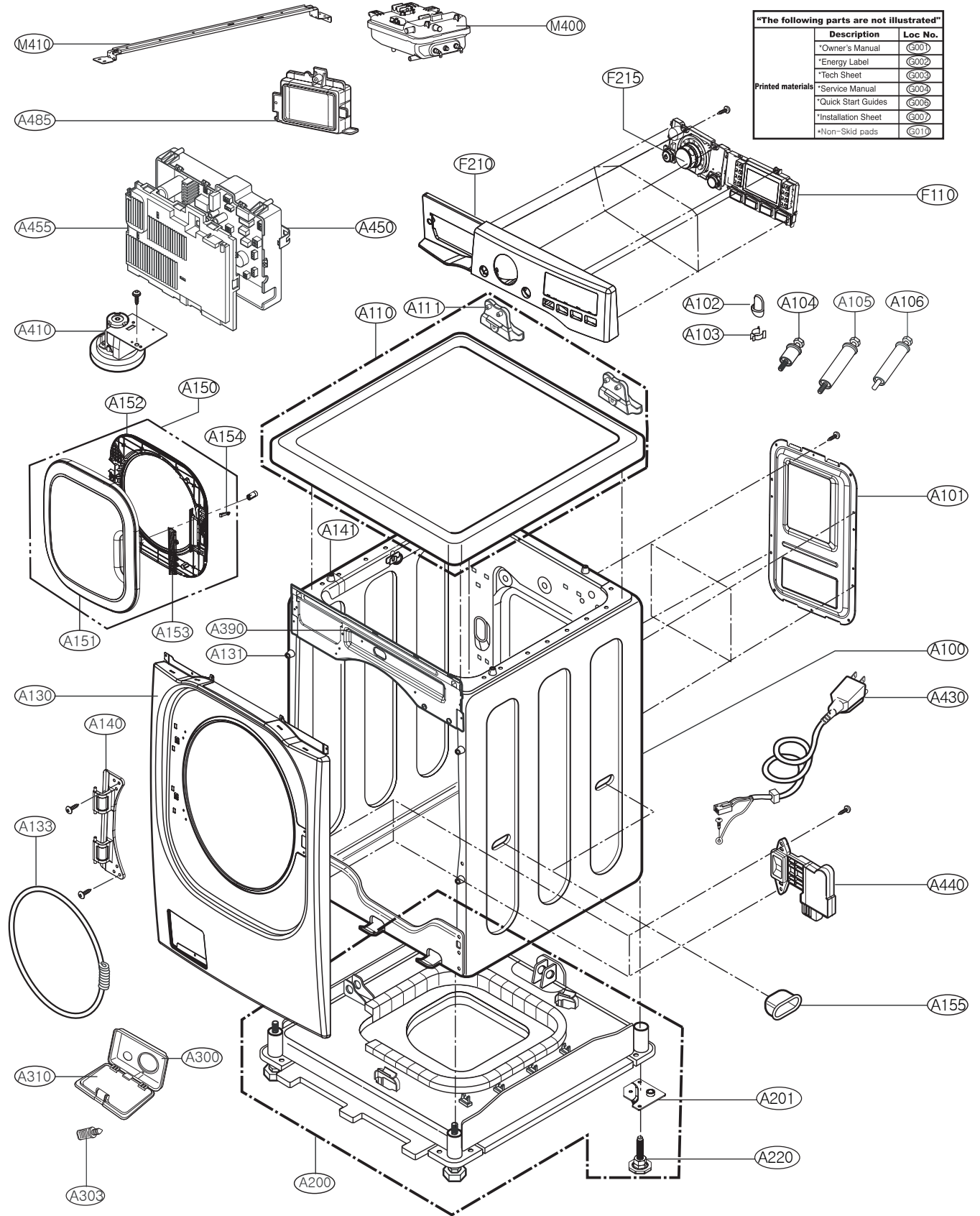
- ④ Separate the hoses from the TSG.



- ⑤ Remove the body frame and then separate the TSG from the washer.

# 11. EXPLODED VIEW

## 11-1. CABINET & CONTROL PANEL ASSEMBLY





# 11-3. DISPENSER ASSEMBLY

