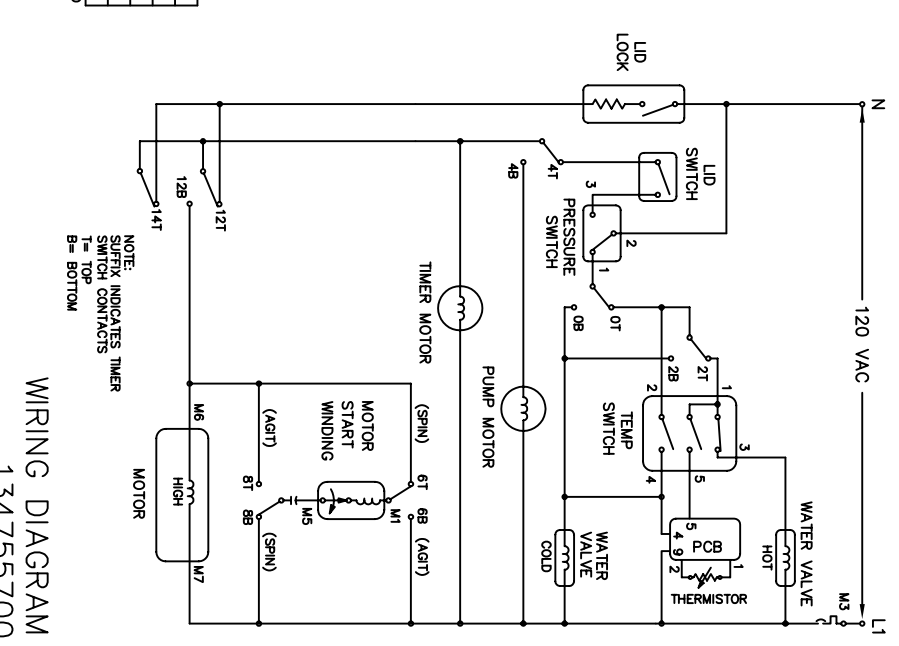
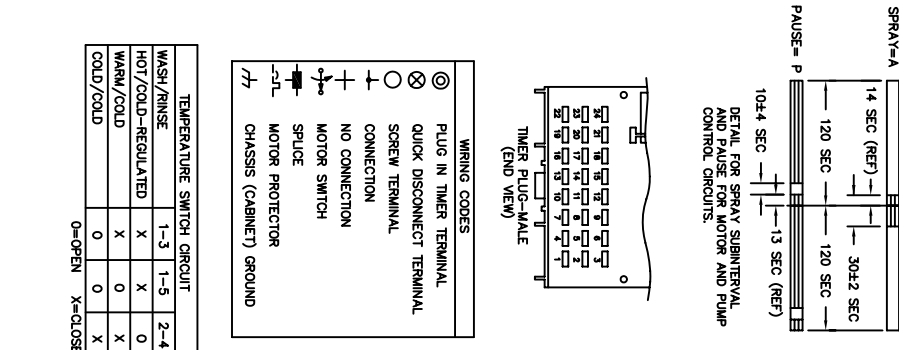
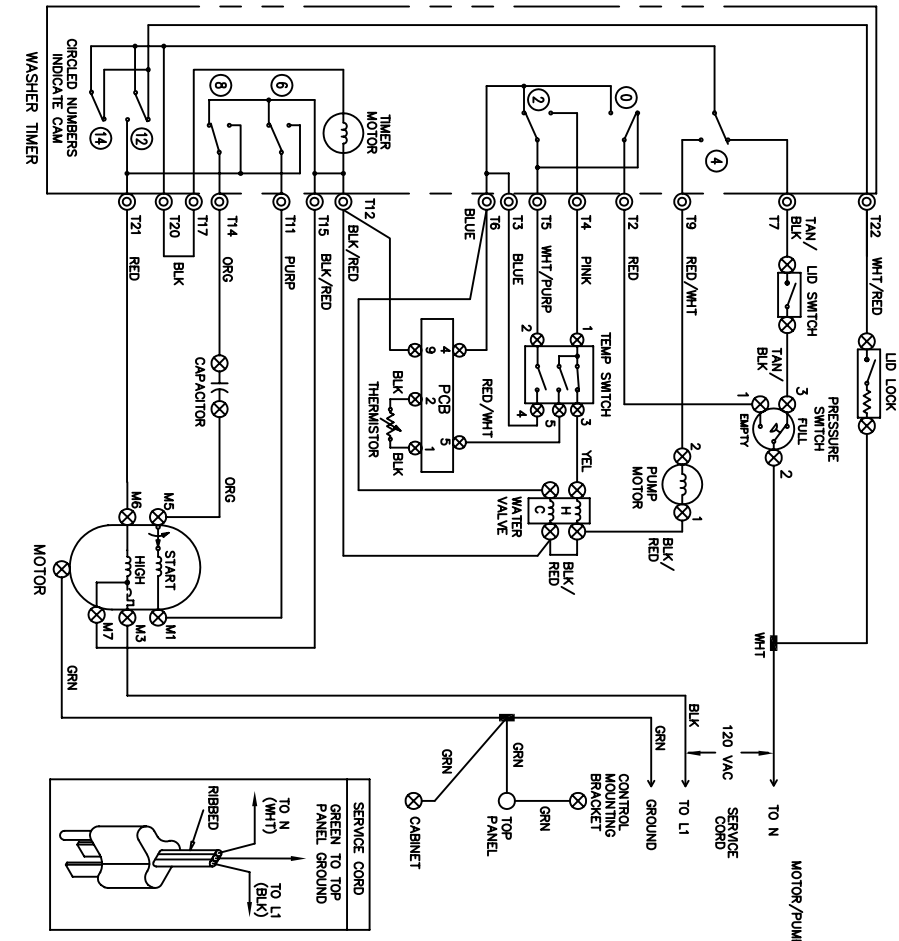


CAUTION: DISCONNECT ELECTRIC CURRENT BEFORE SERVICING

TERM.	CIRCUIT	REGULAR				OFF	PERM. PRESS				OFF	DELICATE				OFF
		WASH (16 MIN)	PUMP (6 MIN) SPIN	RINSE (4 MIN)	PUMP (10 MIN) SPIN		WASH (12 MIN)	PUMP (6 MIN) SPIN	RINSE (4 MIN)	PUMP (6 MIN) SPIN		WASH (8 MIN)	PUMP (6 MIN) SPIN	RINSE (4 MIN)	PUMP (6 MIN) SPIN	
0	2	T	SI SPRAY													
2	5	T	WASH FILL													
3	3	T	WASH FILL													
4	3	T	RINSE FILL													
7	7	T	LID SW BYPASS PUMP													
9	9	T	SPIN DIR													
11	12	T	AGITATE DIR													
12	21	T	AGITATE DIR													
14	12	T	SPIN DIR													
17	21	T	SPIN DIR													
20	22	T	P.S. BYPASS													
21	21	T	P.S. BYPASS													
22	21	T	MOTOR CONTROL													
22	21	T	P.S. BYPASS													
20	22	T	P.S. BYPASS													
14	20	T	P.S. BYPASS													



- WIRING CODES**
- ⊙ PLUG IN TIMER TERMINAL
 - ⊗ QUICK DISCONNECT TERMINAL
 - ⊙ SCREW TERMINAL
 - ⊙ CONNECTION
 - ⊙ NO CONNECTION
 - ⊙ MOTOR SWITCH
 - ⊙ SPLICE
 - ⊙ MOTOR PROTECTOR
 - ⊙ CHASSIS (CABINET) GROUND

TEMPERATURE SWITCH CIRCUIT

	1-3	1-5	2-4
WASH/RINSE	X	X	X
HOT/COLD-REGULATED	X	X	X
WARM/COLD	X	X	X
COLD/COLD	X	X	X

0=OPEN X=CLOSED

NOTE:
SUFFIX INDICATES TIMER SWITCH CONTACTS
B=TOP
B=BOTTOM

WIRING DIAGRAM
134755700

ATTENTION: COUPER L'ALIMENTATION ÉLECTRIQUE AVANT DE DÉPANNER L'APPAREIL

