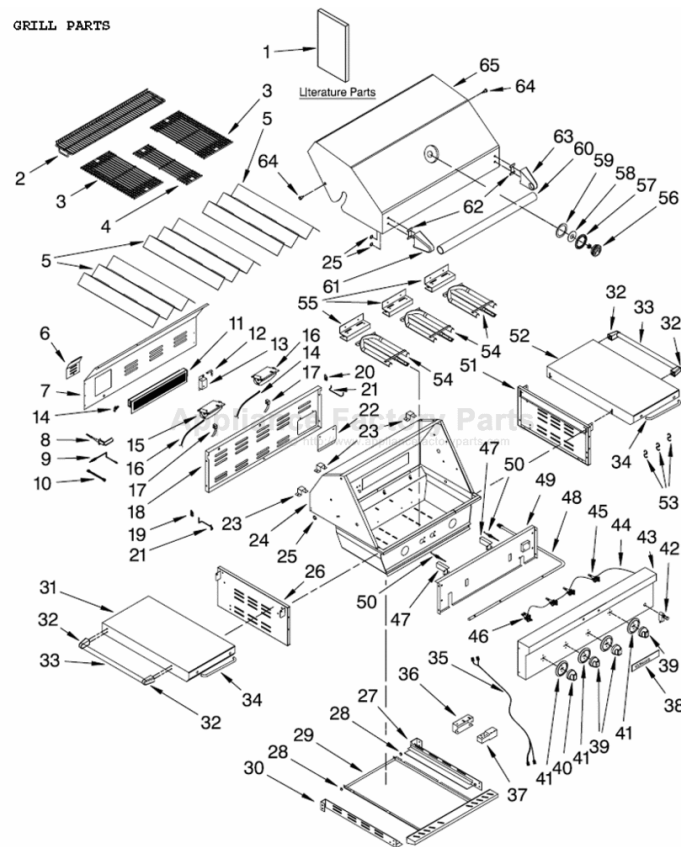


# KITCHENAID KFRS361TSS00 Owner's Manual

[Shop genuine replacement parts for KITCHENAID  
KFRS361TSS00](#)



[Find Your KITCHENAID Grill Parts - Select From 200 Models](#)

----- Manual continues below -----

# KitchenAid®

## OUTDOOR GRILLS

### FREESTANDING AND BUILT-IN

#### Installation Instructions and Use & Care Guide

For questions about features, operation/performance, parts, accessories or service, call: **1-800-422-1230**  
or visit our website at [www.kitchenaid.com](http://www.kitchenaid.com)

In Canada, for assistance, installation and service, call: **1-800-807-6777**  
or visit our website at [www.KitchenAid.ca](http://www.KitchenAid.ca)

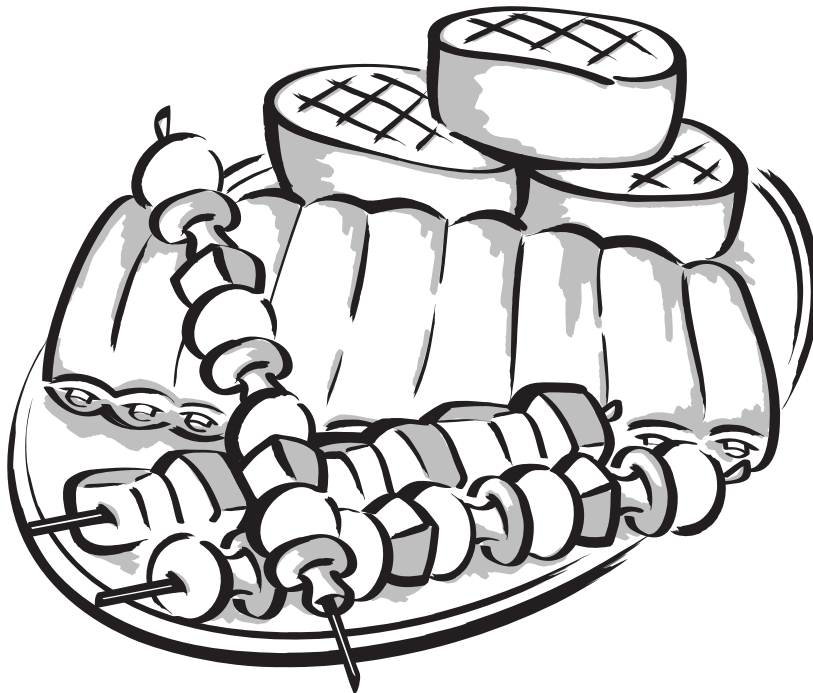
## GRILS D'EXTÉRIEUR

### AUTOPORTANTS ET ENCASTRÉS

#### Instructions d'installation et Guide d'utilisation et d'entretien

Au Canada, pour assistance, installation ou service, composez le **1-800-807-6777**  
ou visitez notre site web à [www.KitchenAid.ca](http://www.KitchenAid.ca)

Table of Contents/Table des matières..... 2



#### **IMPORTANT:**

Save for local electrical inspector's use.

**Installer:** Leave installation instructions with the homeowner.

**Homeowner:** Keep installation instructions for future reference.

#### **IMPORTANT :**

À conserver pour consultation par l'inspecteur local des installations électriques.

**Installateur :** Remettre les instructions d'installation au propriétaire.

**Propriétaire :** Conserver les instructions d'installation pour référence ultérieure.

**Models/Modèles KFRS271T, KFRS361T, KFRS365T, KBNS271T, KBNS361T  
W10110724C**

# TABLE OF CONTENTS

<b>OUTDOOR GRILL SAFETY</b> .....	<b>3</b>
<b>INSTALLATION REQUIREMENTS</b> .....	<b>5</b>
Tools and Parts .....	5
Tools and Parts .....	5
Location Requirements .....	5
Product Dimensions.....	6
Built-In Outdoor Grill Enclosure .....	6
Cabinet Cutout Dimensions (Built-In Outdoor Grills).....	7
Electrical Requirements .....	9
Gas Supply Requirements .....	10
Gas Connection Requirements.....	11
Gas Connection Requirements.....	12
<b>INSTALLATION INSTRUCTIONS</b> .....	<b>13</b>
Style 1 - Freestanding Outdoor Grill Installation.....	13
Style 2 - Built-In Outdoor Grill Installation .....	16
Check and Adjust the Burners.....	18
<b>OUTDOOR GRILL USE</b> .....	<b>19</b>
Using Your Outdoor Grill.....	19
Using Your Infrared Sear Burner.....	21
Using Your Side Burner .....	21
Using Your Rotisserie (Optional Accessory).....	22
Rotisserie Cooking Tips .....	23
Using Your Smoker Box .....	24
Hood Lights.....	24
<b>TIPS FOR OUTDOOR GRILLING</b> .....	<b>25</b>
Cooking Methods.....	25
Grilling Chart.....	26
<b>OUTDOOR GRILL CARE</b> .....	<b>28</b>
Replacing the Igniter Battery .....	28
Changing the Light Bulb .....	28
General Cleaning.....	28
<b>TROUBLESHOOTING</b> .....	<b>30</b>
<b>ASSISTANCE OR SERVICE</b> .....	<b>30</b>
<b>WARRANTY</b> .....	<b>31</b>

# TABLE DES MATIÈRES

<b>SÉCURITÉ DU GRIL D'EXTÉRIEUR</b> .....	<b>33</b>
<b>EXIGENCES D'INSTALLATION</b> .....	<b>35</b>
Outillage et pièces.....	35
Outillage et pièces.....	35
Exigences d'emplacement.....	35
Dimensions du produit.....	36
Enceinte du gril d'extérieur encastré .....	36
Dimensions de l'ouverture à découper dans le placard (grils d'extérieur encastrés) .....	37
Spécifications électriques .....	39
Spécifications de l'alimentation en gaz .....	40
Exigences concernant le raccordement au gaz .....	41
Exigences concernant le raccordement au gaz .....	42
<b>INSTRUCTIONS D'INSTALLATION</b> .....	<b>43</b>
Style 1 - Installation du gril d'extérieur autoportant .....	43
Style 2 - Installation du gril d'extérieur encastré .....	46
Contrôle et réglage des brûleurs.....	48
<b>UTILISATION DU GRIL D'EXTÉRIEUR</b> .....	<b>50</b>
Utilisation du gril d'extérieur.....	50
Utilisation du brûleur à infrarouge.....	52
Utilisation du brûleur latéral.....	52
Utilisation du tournebroche.....	53
Conseils de cuisson à l'aide du tournebroche .....	54
Utilisation du fumoir .....	55
Lampes sous le capot.....	55
<b>CONSEILS POUR L'UTILISATION DU GRIL D'EXTÉRIEUR</b> ....	<b>56</b>
Méthodes de cuisson.....	56
Tableau de cuisson au gril .....	57
<b>ENTRETIEN DU GRIL D'EXTÉRIEUR</b> .....	<b>59</b>
Remplacement de la pile de l'allumeur.....	59
Changement de l'ampoule d'éclairage.....	59
Nettoyage général .....	59
<b>DÉPANNAGE</b> .....	<b>61</b>
<b>ASSISTANCE OU SERVICE</b> .....	<b>62</b>
<b>GARANTIE</b> .....	<b>63</b>

# OUTDOOR GRILL SAFETY

## Your safety and the safety of others are very important.

We have provided many important safety messages in this manual and on your appliance. Always read and obey all safety messages.



This is the safety alert symbol.

This symbol alerts you to potential hazards that can kill or hurt you and others.

All safety messages will follow the safety alert symbol and either the word "DANGER" or "WARNING."

These words mean:

**⚠ DANGER**

**You can be killed or seriously injured if you don't immediately follow instructions.**

**⚠ WARNING**

**You can be killed or seriously injured if you don't follow instructions.**

All safety messages will tell you what the potential hazard is, tell you how to reduce the chance of injury, and tell you what can happen if the instructions are not followed.

### **⚠ DANGER**

**If you smell gas:**

- 1. Shut off gas to the appliance.**
- 2. Extinguish any open flame.**
- 3. Open lid.**
- 4. If odor continues, keep away from the appliance and immediately call your gas supplier or your fire department.**

### **⚠ WARNING**

- 1. Do not store or use gasoline or other flammable liquids or vapors in the vicinity of this or any other appliance.**
- 2. An LP cylinder not connected for use shall not be stored in the vicinity of this or any other appliance.**

State of California Proposition 65 Warnings:

WARNING: This product contains a chemical known to the State of California to cause cancer.

WARNING: This product contains a chemical known to the State of California to cause birth defects or other reproductive harm.

In the State of Massachusetts, the following installation instructions apply:

- Installations and repairs must be performed by a qualified or licensed contractor, plumber, or gasfitter qualified or licensed by the State of Massachusetts.
- If using a ball valve, it shall be a T-handle type.
- A flexible gas connector, when used, must not exceed 3 feet.

**IMPORTANT:** This grill is manufactured for outdoor use only. For grills that are to be used at elevations above 2000 ft (609.6 m) orifice conversion is required. See “Gas Supply Requirements” section. It is the responsibility of the installer to comply with the minimum installation clearances specified on the model/serial rating plate. The model/serial rating plate for built-in models can be found on the right-hand side of the grill. The model/serial rating plate for freestanding models can be found on the right-hand inside cabinet wall.

## IMPORTANT SAFETY INSTRUCTIONS

**WARNING:** To reduce the risk of fire, electrical shock, injury to persons, or damage when using the outdoor cooking gas appliance, follow basic precautions, including the following:

- Do not install portable or built-in outdoor cooking gas appliances in or on a recreational vehicle, portable trailer, boat or in any other moving installation.
  - Always maintain minimum clearances from combustible construction, see “Location Requirements” section.
  - The outdoor cooking gas appliance shall not be located under overhead unprotected combustible construction.
  - This outdoor cooking gas appliance shall be used only outdoors and shall not be used in a building, garage, or any other enclosed area.
  - Keep any electrical supply cord and fuel supply hose away from any heated surfaces.
  - Keep outdoor cooking gas appliance area clear and free from combustible materials, gasoline and other flammable vapors and liquids.
  - Do not obstruct the flow of combustion and ventilation air. Keep the ventilation openings of the cylinder enclosure free and clear from debris.
  - Inspect the gas cylinder supply hose before each use of the outdoor cooking gas appliance. If the hose shows excessive abrasion or wear, or is cut, it **MUST** be replaced before using the outdoor cooking gas appliance. Contact your dealer and use only replacement hoses specified for use with the outdoor cooking gas appliance.
  - Visually check the burner flames. They should be blue. Slight yellow tipping is normal for LP gas.
  - Check and clean burner/venturi tube for insects and insect nest. A clogged tube can lead to fire under the outdoor cooking gas appliance.
  - The LP gas supply cylinder to be used must be:
    - constructed and marked in accordance with the Specification for LP Gas Cylinders of the U.S. Department of Transportation (DOT) or the National Standard of Canada, CAN/CSA-B339, Cylinders, Spheres, and Tubes for Transportation of Dangerous Goods; and Commission.
    - provided with a listed overfilling prevention device.
    - provided with a cylinder connection device compatible with the connection for outdoor cooking gas appliances.
  - Always check connections for leaks each time you connect and disconnect the LP gas supply cylinder. See “Installation Instructions” section.
  - When the outdoor cooking gas appliance is not in use, the gas must be turned off at the supply cylinder.
  - Storage of an outdoor cooking gas appliance indoors is permissible only if the cylinder is disconnected and removed from the outdoor cooking gas appliance.
  - Cylinders must be stored outdoors and out of the reach of children and must not be stored in a building, garage, or any other enclosed area.
  - The pressure regulator and hose assembly supplied with the outdoor cooking gas appliance must be used. A replacement pressure regulator and hose assembly specific to your model is available from your outdoor cooking gas appliance dealer.
  - Gas cylinder must include a collar to protect the cylinder valve.
  - For appliances designed to use a CGA791 Connection: Place a dust cap on cylinder valve outlet whenever the cylinder is not in use. Only install the type of dust cap on the cylinder valve outlet that is provided with the cylinder valve. Other types of caps or plugs may result in leakage of propane.
- If the following information is not followed exactly, a fire causing death or serious injury may occur.
- Do not store a spare LP gas cylinder under or near this outdoor cooking gas appliance.
  - Never fill the cylinder beyond 80 percent full.

**SAVE THESE INSTRUCTIONS**

# INSTALLATION REQUIREMENTS

## Tools and Parts

### Style 1 - Freestanding Outdoor Grills

Gather the required tools and parts before starting installation. Read and follow the instructions provided with any tools listed here.

#### Tools Needed

- Tape measure
- Small, flat-blade screwdriver
- Flat-blade screwdriver
- #2 and #3 Phillips screwdriver
- Level
- Wrench or pliers
- Pipe wrench
- Scissors or cutting pliers (to remove tiedowns)
- Noncorrosive leak-detection solution

#### Parts Supplied

- Gas pressure regulator/hose assembly set for 11" WCP LP gas (attached to manifold).
- 1.5-volt "D" size alkaline battery

#### Parts Needed

- 20 lb LP gas fuel tank

## Tools and Parts

### Style 2 - Built-In Outdoor Grills

Gather the required tools and parts before starting installation. Read and follow the instructions provided with any tools listed here.

#### Tools Needed

- Tape measure
- Small, flat-blade screwdriver
- Flat-blade screwdriver
- #2 and #3 Phillips screwdriver
- Level
- Wrench or pliers
- Pipe wrench
- Scissors or cutting pliers (to remove tiedowns)
- Noncorrosive leak-detection solution

#### Parts Needed

- Gas line shutoff valve
- ½" male pipe thread nipple for connection to pressure regulator.
- LP gas-resistant pipe-joint compound
- CSA design-certified outdoor flexible stainless steel appliance connector (4-5 ft [1.2-1.5 m]) or rigid gas supply line as needed.

#### Parts Supplied

- Convertible regulator set for 4" WCP Natural gas.
- Single-prong plug/5,000 mAmp transformer assembly
- 1.5-volt "D" size alkaline battery

## Location Requirements

### ⚠ WARNING



#### Explosion Hazard

**Do not store fuel tank in a garage or indoors.**

**Do not store grill with fuel tank in a garage or indoors.**

**Failure to follow these instructions can result in death, explosion, or fire.**

### ⚠ WARNING



#### Fire Hazard

**Do not use grill near combustible materials.**

**Do not store combustible materials near grill.**

**Doing so can result in death or fire.**

Select a location that provides minimum exposure to wind and traffic paths. The location should be away from strong draft areas.

Do not obstruct flow of combustion and ventilation air.

Clearance to combustible construction for built-in and freestanding outdoor grills:

- A minimum of 24" (58 cm) must be maintained between the front of the grill hood, sides and back of the grill and any combustible construction.
- A 24" (58 cm) minimum clearance must also be maintained below the cooking surface and any combustible construction.

#### Rotisserie (accessory)\*

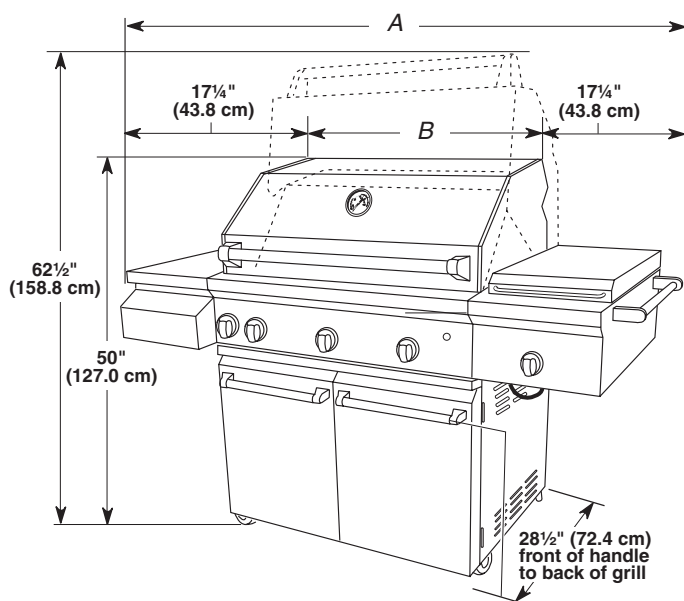
If you equip your grill with a rotisserie, a 6" (15.2 cm) minimum clearance is needed for the rotisserie motor.

A grounded, 3-prong outlet located to the left of the grill is required. See "Electrical Requirements" section.

\*See "Assistance or Service" section to order.

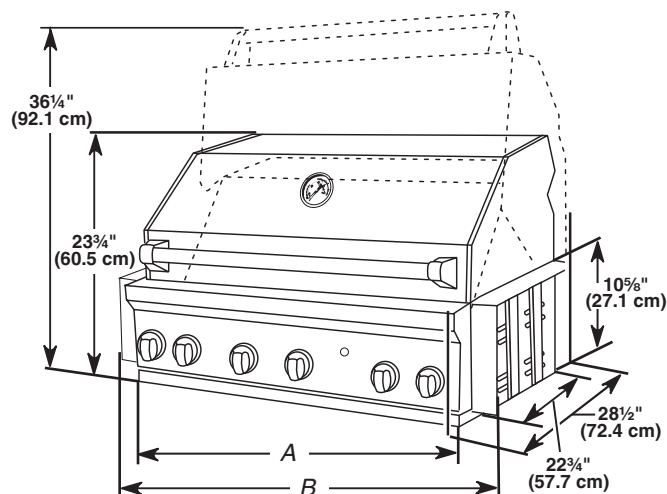
## Product Dimensions

### Style 1 - Freestanding Outdoor Grill



A. 61½" (156.2 cm) on 27" (68.6 cm) models  
 70½" (179 cm) on 36" (91.4 cm) models  
 B. 27" (68.6 cm)  
 36" (91.4 cm)

### Style 2 - Built-In Outdoor Grill



A. 27" (68.6 cm)  
 36" (91.4 cm)  
 B. 27" (68.6 cm) models - 31¾" (80.6 cm)  
 36" (91.4 cm) models - 40¾" (103.4 cm)

## Built-In Outdoor Grill Enclosure

### ⚠ WARNING



#### Fire Hazard

**Do not install grill on or near combustible materials.  
 Doing so can result in death or fire.**

The enclosure for the built-in outdoor grill is to be a minimum of 11" (28.0 cm) high x 23" (58.4 cm) deep x (30" [76.0 cm] for 27" [68.6 cm] grill and 39" [99.0 cm] for 36" [91.4 cm] grill) wide. This built-in outdoor grill is only for installation in a built-in enclosure constructed only of non-combustible materials. Non-combustible materials could be brick, firewall or steel. Do not use wood or other combustible materials for built-in enclosure.

## Cabinet Cutout Dimensions (Built-In Outdoor Grills)

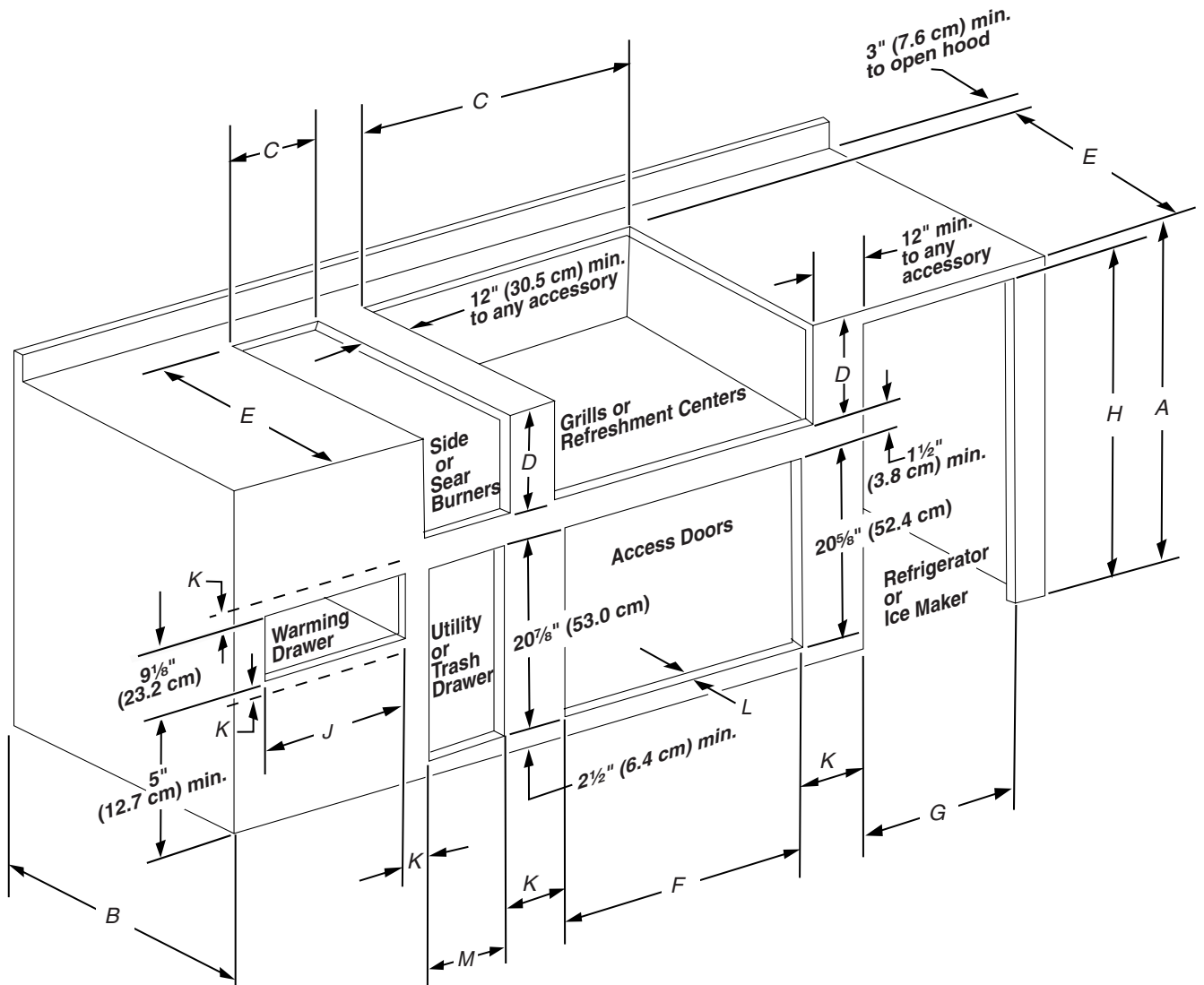
The installation of this grill must conform with local codes or, in the absence of local codes, with either the National Fuel Gas Code, ANSI Z223.1/NPFA 54, Natural Gas and Propane Installation Code, CSA B149.1, or Propane Storage and Handling Code, B149.2.

Copies of the standards listed may be obtained from:

CSA International  
8501 East Pleasant Valley Rd.  
Cleveland, Ohio 44131-5575

**NOTE:** The grill drops into the opening and the bottom of the grill should be supported by the bottom support of the cabinet cutout.

The dimension chart and illustration below include cutout dimensions and minimum spacing requirements for all built-in outdoor products. The illustration is for reference. The design of your cabinet layout can be personalized, but the dimensions for the cutouts and minimum spacing must be followed.



### Minimum Spacing Requirement Between Cutouts - Dimension K

**Between 2 or more sets of Access Doors adjacent to each other:**

- K = 14" (35.6 cm) when 2 adjacent doors are opened to 90 degrees
- K = 8" (20.3 cm) when 1 of the adjacent doors is opened to 90 degrees

**Between a set of Access Doors and a Trash Drawer, Utility Drawer, Warming Drawer, Refrigerator, or Ice Maker:**

- K = 8" (20.3 cm) when 1 of the adjacent doors is opened to 90 degrees

**Between a Trash Drawer, Utility Drawer, or Warming Drawer:**

- K = 3" (7.6 cm)

**Cabinet Height and Depth Dimensions**

	<b>Dimension A Minimum</b>	<b>Dimension B Minimum</b>
With outdoor refrigerator	37" (94.0 cm)	26" (66.0 cm)
Grill with insulated jacket	36½" (92.7 cm)	27" (68.6 cm)
Grill without insulated jacket	35½" (90.2 cm)	26" (66.0 cm)

**Cutout Dimensions - Built-in Grill**

<b>Grill Size</b>	<b>Dimension C</b>	<b>Dimension D</b>	<b>Dimension E</b>
27" (68.6 cm)	29 <sup>5</sup> / <sub>8</sub> " (75.2 cm)	10 <sup>3</sup> / <sub>4</sub> " (27.3 cm)	22 <sup>7</sup> / <sub>8</sub> " (58.1 cm)
36" (91.4 cm)	38 <sup>5</sup> / <sub>8</sub> " (98.1 cm)	10 <sup>3</sup> / <sub>4</sub> " (27.3 cm)	22 <sup>7</sup> / <sub>8</sub> " (58.1 cm)
48" (121.9 cm)	50 <sup>5</sup> / <sub>8</sub> " (128.6 cm)	10 <sup>3</sup> / <sub>4</sub> " (27.3 cm)	22 <sup>7</sup> / <sub>8</sub> " (58.1 cm)

**Cutout Dimensions - Built-in Grill with Insulated Jacket**

<b>Grill Size</b>	<b>Dimension C</b>	<b>Dimension D</b>	<b>Dimension E</b>
27" (68.6 cm)	33" (83.8 cm)	11 <sup>3</sup> / <sub>4</sub> " (29.8 cm)	24" (61.0 cm)
36" (91.4 cm)	42" (106.7 cm)	11 <sup>3</sup> / <sub>4</sub> " (29.8 cm)	24" (61.0 cm)
48" (121.9 cm)	54" (137.2 cm)	11 <sup>3</sup> / <sub>4</sub> " (29.8 cm)	24" (61.0 cm)

**Cutout Dimensions - Built-in Side Burner**

<b>Burner Position</b>	<b>Dimension C</b>	<b>Dimension D</b>	<b>Dimension E</b>
Front to Back	13½" (34.3 cm)	10 <sup>3</sup> / <sub>4</sub> " (27.3 cm)	22 <sup>5</sup> / <sub>8</sub> " (57.5 cm)
Side by Side	24½" (62.2 cm)	10 <sup>3</sup> / <sub>4</sub> " (27.3 cm)	16 <sup>7</sup> / <sub>8</sub> " (42.9 cm)

**Cutout Dimensions - Built-in Sear Burner**

	<b>Dimension C</b>	<b>Dimension D</b>	<b>Dimension E</b>
	13½" (34.3 cm)	10 <sup>5</sup> / <sub>8</sub> " (27.0 cm)	22 <sup>1</sup> / <sub>16</sub> " (57.6 cm)

**Cutout Dimensions - Built-in Refreshment Center**

	<b>Dimension C</b>	<b>Dimension D</b>	<b>Dimension E</b>
	30½" (77.5 cm)	10 <sup>3</sup> / <sub>4</sub> " (27.3 cm)	23" (58.4 cm)

**Cutout Dimensions - Built-in Access Doors**

<b>Door Size</b>	<b>Dimension F</b>	<b>Dimension L*</b>
18" (45.7 cm)	16 <sup>3</sup> / <sub>16</sub> " (41.1 cm)	1½" (3.8 cm)
27" (68.6 cm)	25 <sup>1</sup> / <sub>8</sub> " (63.8 cm)	1½" (3.8 cm)
30" (76.2 cm)	28 <sup>1</sup> / <sub>8</sub> " (71.4 cm)	1½" (3.8 cm)
36" (91.4 cm)	34 <sup>1</sup> / <sub>8</sub> " (86.7 cm)	1½" (3.8 cm)
48" (121.9 cm)	46 <sup>1</sup> / <sub>8</sub> " (117.2 cm)	1½" (3.8 cm)

\*Dimension L is the minimum mounting surface area around the opening for mounting the optional door or drawers.

**Cutout Dimensions - Outdoor Refrigerator**

	<b>Dimension G</b>	<b>Dimension H</b>
	24" (61.0 cm)	35¼" (89.5 cm)

**Cutout Dimensions - Outdoor Ice Maker**

Dimension G	Dimension H
18" (45.7 cm)	34" (86.4 cm) min. to 34½" (87.6 cm) max.

**Cutout Dimensions - Built-in Warming Drawer**

Warming Drawer Size	Dimension J
24" (61.0 cm)	22½" (57.2 cm)

**Cutout Dimensions - Built-in Utility Drawer and Built-in Trash Drawer**

Dimension M	Dimension L*
12¼" (31.1 cm)	1½" (3.8 cm)

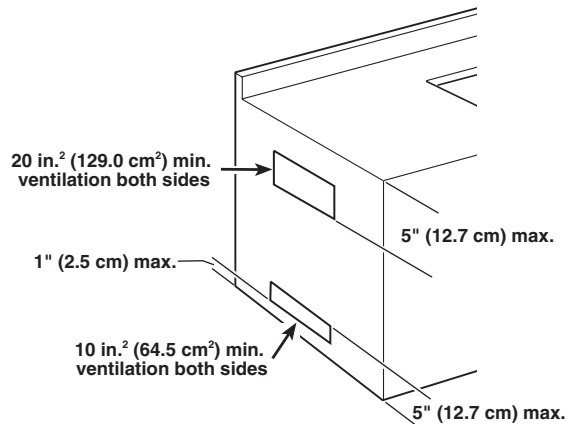
\*Dimension L is the minimum mounting surface area around the opening for mounting the optional door or drawers.

**Built-in Outdoor Grill Enclosure Ventilation for LP Gas:**

An enclosure for an LP gas fuel tank is to be ventilated by openings at both the top and lower levels of the enclosure.

**If converting to LP gas, these vents are to be in the enclosure:**

An enclosure for use with an LP gas fuel tank for built-in installation is to have at least one ventilation opening on an exposed exterior side located within 5" (12.7 cm) of the top is to be a minimum of 20 in.<sup>2</sup> (129.0 cm<sup>2</sup>). One ventilation opening within 1" (2.5 cm) of the bottom of the enclosure and the bottom opening is to be a minimum of 10 in.<sup>2</sup> (64.5 cm<sup>2</sup>). All vent openings are to be unobstructed. Every opening is to be a minimum of ½" (0.32 cm) wide.



**Electrical Requirements**

**⚠ WARNING**

**Electrical Shock Hazard**

- Plug into a grounded 3 prong outlet.**
- Do not remove ground prong.**
- Do not use an adapter.**
- Do not use an extension cord.**

**Failure to follow these instructions can result in death, fire, or electrical shock.**

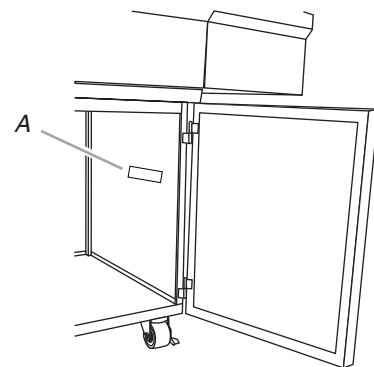
If codes permit and a separate ground wire is used, it is recommended that a qualified electrician determine that the ground path is adequate.

Check with a qualified electrician if you are not sure whether the grill is properly grounded.

A 120-volt, 60-Hz, AC-only, 15-amp, fused electrical supply is required.

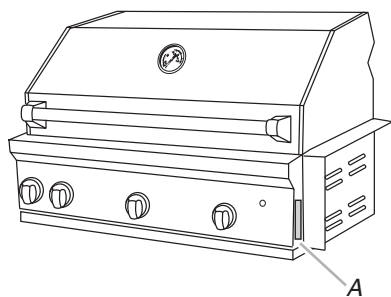
It is recommended that a separate circuit servicing only this grill be provided.

On freestanding models, the model/serial number rating plate is located inside the grill cabinet on the right-hand cabinet side. See the following illustration.



A. Model/serial number plate

On built-in models, the model/serial number rating plate is located on the right-hand side of the grill. See the following illustration.



A. Model/serial number plate

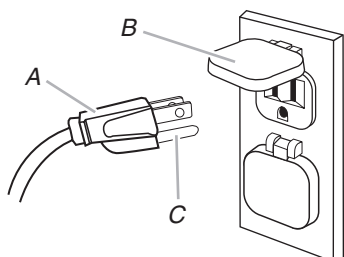
### Recommended Ground Method

The outdoor grill, when installed, must be electrically grounded in accordance with local codes or, in the absence of local codes, with the National Electrical Code ANSI/NFPA 70, or Canadian Electrical Code, CSA C22.1.

Copies of the standards listed above may be obtained from:

CSA International  
8501 East Pleasant Valley Rd.  
Cleveland, Ohio 44131-5575

National Fire Protection Association  
One Batterymarch Park  
Quincy, Massachusetts 02269



A. 3-prong ground plug  
B. 3-prong polarized type outdoor outlet  
C. Ground prong

## Gas Supply Requirements

### **! WARNING**



#### Explosion Hazard

Use a new CSA International approved "outdoor" gas supply line.

Securely tighten all gas connections.

If connected to LP, have a qualified person make sure gas pressure does not exceed 11" (28 cm) water column.

Examples of a qualified person include:

licensed heating personnel,  
authorized gas company personnel, and  
authorized service personnel.

Failure to do so can result in death, explosion, or fire.

Observe all governing codes and ordinances.

**IMPORTANT:** This installation must conform with all local codes and ordinances. In the absence of local codes, installation must conform with American National Standard, National Fuel Gas Code ANSI Z223.1 - latest edition or CAN/CGA B149.1 - latest edition.

**IMPORTANT:** Grill must be connected to a regulated gas supply.

Refer to the model/serial rating plate for information on the type of gas that can be used. If this information does not agree with the type of gas available, check with your local gas supplier.

#### Gas Conversion:

No attempt shall be made to convert the grill from the gas specified on the model/serial rating plate for use with a different gas type without consulting the serving gas supplier. The conversion kits specified must be used.

### Gas Pressure Regulator

The gas pressure regulator supplied with this grill must be used. The inlet (supply) pressure to the regulator should be as follows for proper operation:

#### LP Gas:

Operating pressure: 11" (27.9 cm) WCP

Inlet (supply) pressure: 11" to 14" (27.9 cm to 35.5 cm) WCP

#### Natural Gas:

Operating pressure: 4" (10.2 cm) WCP

Inlet (supply) pressure: 7" to 14" (17.8 cm to 35.5 cm) WCP maximum.

Contact local gas supplier if you are not sure about the inlet (supply) pressure.

## Burner Requirements for High Altitude

Input ratings shown on the model/serial rating plate are for elevations up to 2,000 ft (609.6 m).

For elevations above 2,000 ft (609.6 m), ratings are reduced at a rate of 4% for each 1,000 ft (304.8 m) above sea level. Orifice conversion is required. See "Assistance or Service" section to order.

## Gas Supply Line Pressure Testing

### Testing above ½ psi (3.5 kPa) or 14" (35.5 cm) WCP (gauge):

The grill and its individual shutoff valve must be disconnected from the gas supply piping system during any pressure testing of that system at test pressures greater than ½ psig (3.5 kPa).

### Testing below ½ psi (3.5 kPa) or 14" (35.5 cm) WCP (gauge) or lower:

The grill must be isolated from the gas supply piping system by closing its individual manual shutoff valve during any pressure testing of the gas supply piping system at test pressures equal to or less than ½ psig (3.5 kPa).

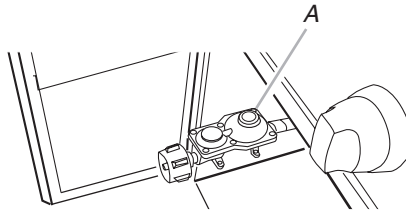
## Gas Connection Requirements

### Style 1 - Freestanding Outdoor Grills

### LP Gas Fuel Tank

This grill is equipped for use with a 20 lb LP gas fuel tank (fuel tank not supplied). A gas pressure regulator/hose assembly is supplied.

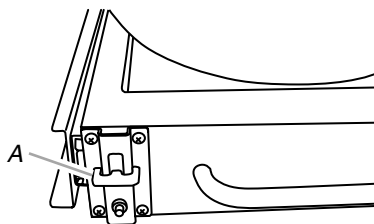
It is also design-certified by CSA International for local LP gas supply or for Natural gas with appropriate conversion.



A. Gas pressure regulator/hose assembly

The 20 lb LP gas fuel tank must be mounted and secured.

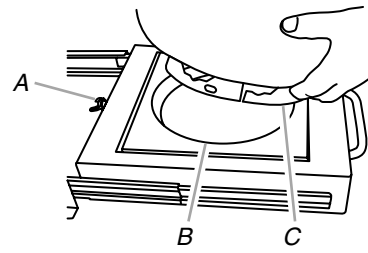
1. Open cabinet doors.
2. Press the locking tab on the tank tray and pull out the tray.



A. Tank tray locking tab

3. Place the 20 lb LP gas fuel tank bottom collar into the mounting hole in the tank tray.

4. Tighten the locking screw against the bottom collar of the 20 lb LP gas fuel tank to secure.

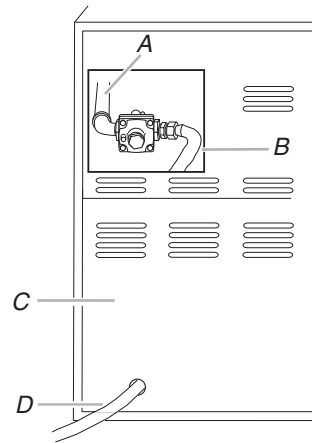


A. Locking screw  
B. Mounting hole  
C. Bottom collar

5. Slide tank tray back into the cabinet and lock into place.

### Local LP Gas Supply

**IMPORTANT:** The gas installation must conform with local codes, or in the absence of local codes, with the National Fuel Gas Code, ANSI Z223.1/NFPA 54 - latest edition. The qualified LP gas technician shall provide the LP gas supply to the selected grill location in accordance with the National Fuel Gas Code, ANSI Z223.1/NFPA 54 and local codes.



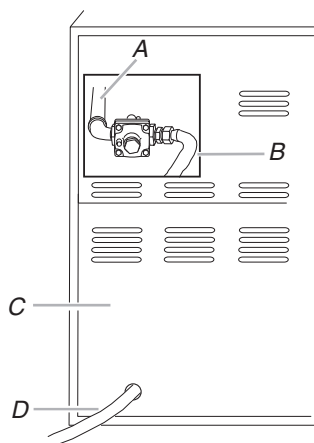
A. Grill gas pipe  
B. New ANSI Z21.54 certified gray hose  
C. Rear of grill  
D. To local LP gas supply

### Natural Gas Conversion

Conversion must be made by a qualified gas technician. The qualified Natural gas technician shall provide the Natural gas supply to the selected grill location in accordance with the National Fuel Gas Code ANSI Z223.1/NFPA 54 - latest edition, and local codes. For conversion to Natural gas, the Natural gas conversion kit must be used.

**IMPORTANT:** The gas installation must conform with local codes, or in the absence of local codes, with the National Fuel Gas Code, ANSI Z223.1/NFPA 54 - latest edition.

To convert to Natural gas, the Natural Gas Conversion Kit Part Number W10118098 must be used. Follow instructions included with the kit.



- A. Grill gas pipe
- B. New ANSI Z21.54 certified gray hose
- C. Rear of grill
- D. To Natural gas supply

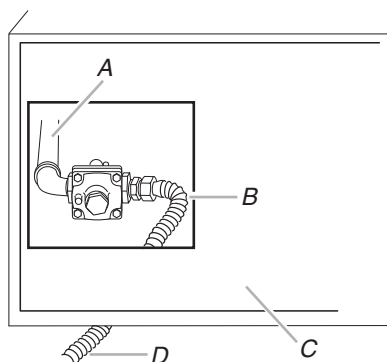
## Gas Connection Requirements

### Style 2 - Built-In Outdoor Grills

#### Natural Gas

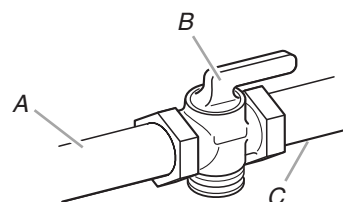
Built-in grill models are equipped for use with Natural gas. They are design-certified by CSA International for LP (propane or butane) gases with appropriate conversion.

Built-in models are set for Natural gas use and have a pressure regulator with 1/2" female pipe threads.



- A. Grill gas pipe
- B. New CSA International approved "outdoor" flexible gas supply line
- C. Rear of grill
- D. To Natural gas supply

The supply line shall be equipped with an approved shutoff valve. This valve should be located in the same area as the grill and should be in a location that allows ease of opening and closing. Do not block access to the shutoff valve. The valve is for turning on or shutting off gas to the grill.

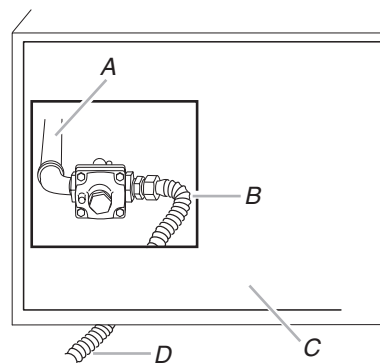


- A. Gas supply line
- B. Shutoff valve "open" position
- C. To grill

#### LP Gas Conversion Using a Local LP Gas Supply

Conversion must be made by a qualified person. A qualified Natural gas technician shall provide the LP gas supply to the selected grill location in accordance with the National Fuel Gas Code ANSI Z223.1/NFPA 54 - latest edition, and local codes.

To convert to LP gas, the LP Gas Conversion Kit Part Number W10118099 must be used. Follow instructions included with kit.



- A. Grill gas pipe
- B. New CSA International approved "outdoor" flexible gas supply line
- C. Rear of grill
- D. To local gas supply

#### LP Gas Conversion Using a 20 lb LP Gas Fuel Tank

To convert to LP gas, the LP Gas Conversion Kit Part Number W10118099 must be used. Follow instructions included with kit. A 20 lb LP gas fuel tank must be purchased separately.

# INSTALLATION INSTRUCTIONS

## Style 1 - Freestanding Outdoor Grill Installation

### **⚠ WARNING**

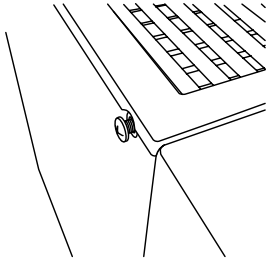
#### **Excessive Weight Hazard**

**Use two or more people to move and install grill.  
Failure to do so can result in back or other injury.**

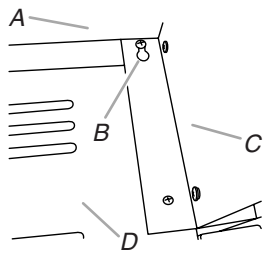
1. Unpack grill. Remove all packaging materials and remove grill from wooden skid.
2. Move grill into desired outdoor location.
3. Open the hood.

#### **Attach Side Shelf (on some models)**

4. Open doors below grill and remove carton. Unpack side shelf.
5. Locate 4 screws. Install 2 screws in the top 2 holes on each side of the grill. Leave screws away from side of grill about ¼" (0.64 cm).



6. Install side shelf on left side of the grill. Position the side shelf so that the large end of the keyhole slots are over the screws. Place shelf onto the 2 mounting screws. Let the shelf slide down so the screws are in the narrow neck of the slots.

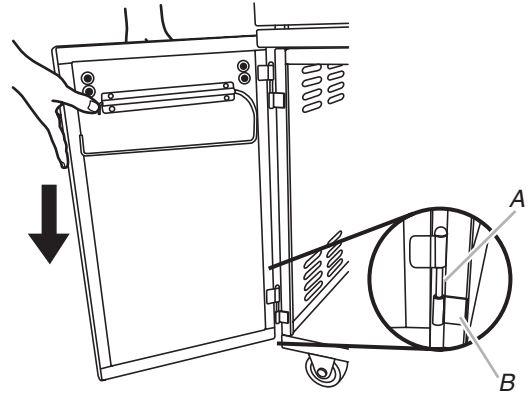


A. Top of side shelf  
B. Keyhole slot  
C. Front of side shelf  
D. Side of grill

7. Install the bottom 2 screws and tighten.
8. Tighten the top 2 screws.

#### **Attach Cabinet Doors (on some models)**

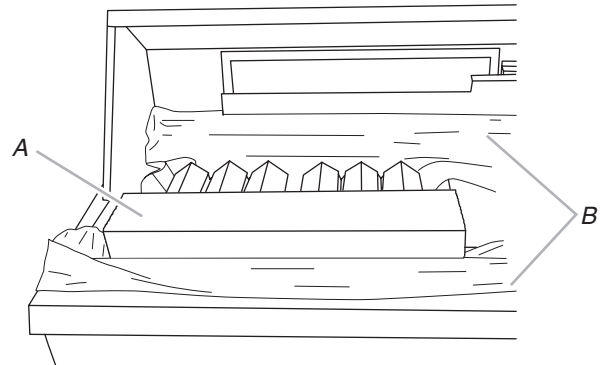
1. Remove foam wrapping from both cabinet doors.
2. Position hinge pins on the door with the hinge brackets on the cabinet. Gently push down to slide the pins into place.



A. Door hinge pin  
B. Hinge bracket

#### **Remove Packaging Material Inside the Grill**

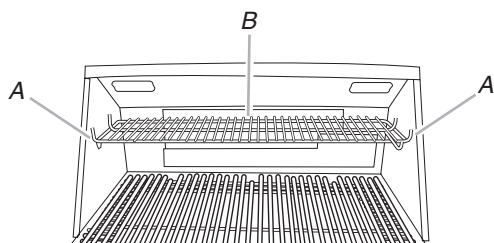
1. Cut the tiedowns holding the grates together.
2. Remove condiment shelf, warming shelf and grill grates from inside the grill and remove packaging material.
3. Remove foam block and wrap from inside the grill.



A. Foam block  
B. Foam wrap

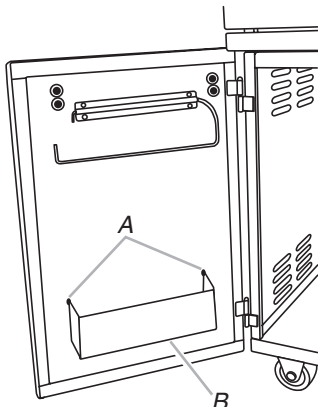
4. Replace the grill grates.

- Place warming shelf on brackets as shown.



A. Warming shelf brackets  
B. Warming shelf

- Attach condiment shelf to the inside of the left cabinet door.



A. Attachment holes  
B. Condiment shelf

- Dispose of/recycle all packaging material.

## Make Gas Connection

### ⚠ WARNING



#### Explosion Hazard

Securely tighten all gas connections.

If connected to LP, have a qualified person make sure gas pressure does not exceed 11" (28 cm) water column.

Examples of a qualified person include:  
licensed heating personnel,  
authorized gas company personnel, and  
authorized service personnel.

Failure to do so can result in death, explosion, or fire.

If converting to Natural gas, see conversion kit requirements in the "Gas Supply Requirements" section. Follow instructions included with kit.

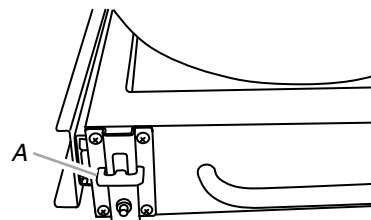
### LP Gas:

**IMPORTANT:** A 20 lb LP gas fuel tank must be purchased separately.

**IMPORTANT:** The gas pressure regulator/hose assembly supplied with the grill must be used. Replacement gas pressure regulator/hose assembly specific to your model, is available from your outdoor grill dealer.

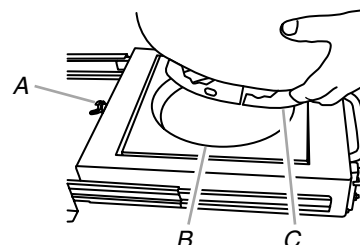
#### To Install the 20 lb LP Gas Fuel Tank:

- Open cabinet doors.
- Press the locking tab on the tank tray and pull out the tray.



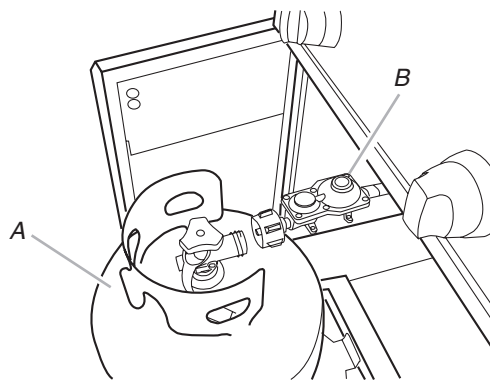
A. Tank tray locking tab

- Place the 20 lb LP gas fuel tank bottom collar into the mounting hole in the tank tray.
- Tighten the locking screw against the bottom collar of the 20 lb LP gas fuel tank to secure.



A. Locking screw  
B. Mounting hole  
C. Bottom collar

- Screw the gas pressure regulator/hose assembly to the 20 lb LP gas fuel tank as shown.



A. 20 lb LP gas fuel tank  
B. Gas pressure regulator/hose assembly

- Turn on the gas supply. Wait a few minutes for gas to move through the gas line.
- Test all connections by brushing on an approved noncorrosive leak-detection solution. Bubbles will show a leak. Correct any leak found.
- Slide tank tray back into the cabinet and lock into place.

9. The igniter battery is not factory installed. A 1.5-volt "D" size alkaline battery is located in the accessory box on the grill grate. Install battery at this time following the instructions in the "Replacing the Igniter Battery" section.
10. Go to "Check and Adjust the Burners" section.

### If Converted to Natural Gas

## ⚠ WARNING



### Explosion Hazard

Use a new CSA International approved "outdoor" gas supply line.

Securely tighten all gas connections.

Failure to do so can result in death, explosion, or fire.

This installation must conform with local codes and ordinances. In the absence of local codes, installations must conform with either the National Fuel Gas Code ANSI Z223.1, or CAN/CGA-B149.1 Natural Gas and Propane installation code.

Copies of the standards listed above may be obtained from:

CSA International  
8501 East Pleasant Valley Rd.  
Cleveland, Ohio 44131-5575

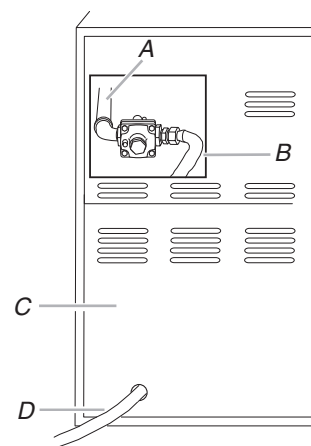
National Fire Protection Association  
One Batterymarch Park  
Quincy, Massachusetts 02269

#### 1. Make gas connections.

A combination of pipe fittings must be used to connect the grill to the existing gas line.

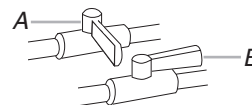
- If local codes permit, use an outdoor flexible stainless steel tubing gas connector, design-certified by CSA International, to connect the grill to the rigid gas supply line. A 5/8" diameter line is recommended. Using a wrench to tighten, connect the gas supply to the grill. Use pipe-joint compound on all non-flared male threads. Do not kink or damage the flexible connector when moving the grill.

- Pipe-joint compounds suitable for use with Natural gas must be used. Do not use TEFLON<sup>®†</sup> tape.



A. Grill gas pipe  
B. New ANSI Z21.54 certified gray hose  
C. Rear of grill  
D. To Natural gas supply

2. Open the manual shutoff valve in the gas supply line. The valve is open when the handle is parallel to the gas pipe.



A. Closed valve  
B. Open valve

3. Test all connections by brushing on an approved noncorrosive leak-detection solution. Bubbles will show a leak. Correct any leak found.
4. The igniter battery is not factory installed. A 1.5-volt "D" size alkaline battery is located in the accessory box on the grill grate. Install battery at this time following the instructions in the "Replacing the Igniter Battery" section.
5. Go to "Check and Adjust the Burners" section.

### Plug in Grill

## ⚠ WARNING



### Electrical Shock Hazard

Plug into a grounded 3 prong outlet.

Do not remove ground prong.

Do not use an adapter.

Do not use an extension cord.

Failure to follow these instructions can result in death, fire, or electrical shock.

1. Plug into a grounded 3-prong outlet.

†TEFLON is a registered trademark of E.I. Du Pont De Nemours and Company.

## Style 2 - Built-In Outdoor Grill Installation

### **⚠ WARNING**

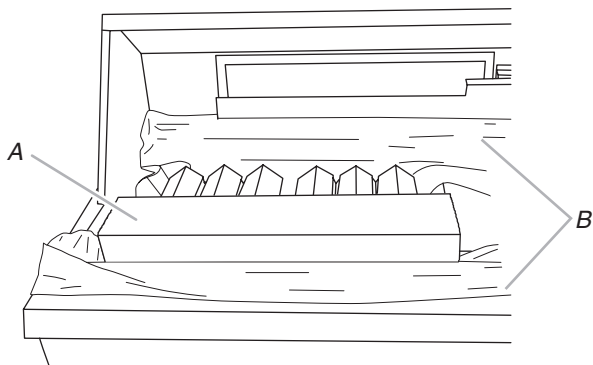
#### **Excessive Weight Hazard**

**Use two or more people to move and install grill.  
Failure to do so can result in back or other injury.**

- Unpack grill. Remove all packaging materials and remove grill from carton.
- Move grill close to desired outdoor location.
- Open the hood.

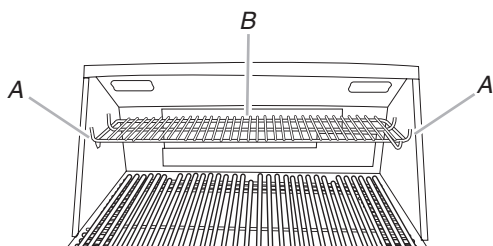
#### **Remove Packaging Material Inside the Grill**

1. Cut the tiedowns holding the grates together.
2. Remove rotisserie skewer (on some models), warming shelf and grill grates from inside the grill and remove packaging material.
3. Remove foam block and wrap from inside the grill.



A. Foam block  
B. Foam wrap

4. Replace the grill grates.
5. Place warming shelf on brackets as shown.



A. Warming shelf brackets  
B. Warming shelf

6. Dispose of/recycle all packaging material.

#### **Make Gas Connection**

**NOTE:** If grill has been converted to LP gas, follow instructions in "If Converting to LP Gas" at the end of this section.

### **⚠ WARNING**



#### **Fire Hazard**

**Do not use grill near combustible materials.  
Do not store combustible materials near grill.  
Doing so can result in death or fire.**

#### **Natural Gas Use**

This installation must conform with local codes and ordinances. In the absence of local codes, installations must conform with either the National Fuel Gas Code ANSI Z223.1 - latest edition, or CAN/CGA-B149.1 Natural Gas and Propane installation code.

1. Place grill into outdoor enclosure, but leave enough room in back to connect to gas supply and electrical plug-in.

### **⚠ WARNING**



#### **Explosion Hazard**

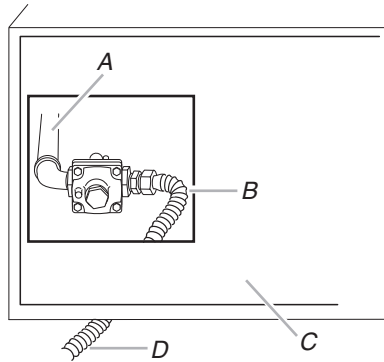
**Use a new CSA International approved "outdoor" gas supply line.  
Securely tighten all gas connections.  
Failure to do so can result in death, explosion, or fire.**

#### **2. Make gas connections.**

A combination of pipe fittings must be used to connect the grill to the existing gas line.

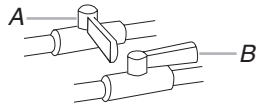
- If local codes permit, use an outdoor flexible stainless steel tubing gas connector, design-certified by CSA International, to connect the grill to the rigid gas supply line. A 5/8" diameter line is recommended. Using a wrench to tighten, connect the gas supply to the grill. Use pipe-joint compound on all non-flared male threads. Do not kink or damage the flexible connector when moving the grill.

- Pipe-joint compounds suitable for use with Natural gas must be used. Do not use Teflon® tape.



A. Grill gas pipe  
 B. New CSA International approved "outdoor" flexible gas supply line  
 C. Rear of grill  
 D. To Natural gas supply

3. Open the manual shutoff valve in the gas supply line. The valve is open when the handle is parallel to the gas pipe.

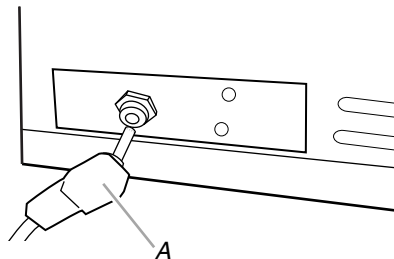


A. Closed valve  
 B. Open valve

4. Test all connections by brushing on an approved noncorrosive leak-detection solution. Bubbles will show a leak. Correct any leak found.

### Plug in Grill

1. This built-in outdoor grill comes with a 5,000 mAmp power transformer plug assembly for the grill lights. Plug in the single-prong plug in the receptacle on the left underside of the grill.



A. Single-prong plug

## ⚠ WARNING



### Electrical Shock Hazard

- Plug into a grounded 3 prong outlet.
- Do not remove ground prong.
- Do not use an adapter.
- Do not use an extension cord.
- Failure to follow these instructions can result in death, fire, or electrical shock.

2. Plug into a grounded 3-prong outdoor outlet.
3. The igniter battery is not factory installed. A 1.5-volt "D" size alkaline battery is located in the accessory box on the grill grate. Install battery at this time following the instructions in "Replacing the Igniter Battery" section.
4. Gently slide grill completely into outdoor enclosure.
5. Now go to the "Check and Adjust the Burners" section.

### If Converting to LP Gas

## ⚠ WARNING



### Explosion Hazard

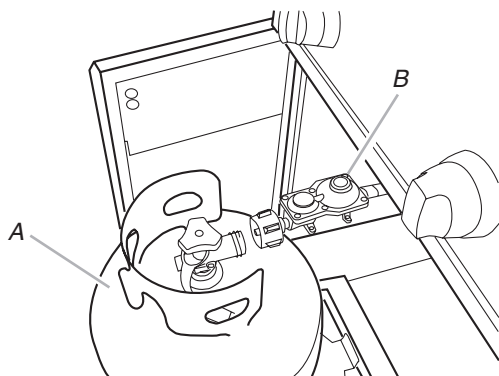
- Use a new CSA International approved "outdoor" gas supply line.
- Securely tighten all gas connections.
- If connected to LP, have a qualified person make sure gas pressure does not exceed 11" (28 cm) water column.
- Examples of a qualified person include:
  - licensed heating personnel,
  - authorized gas company personnel, and
  - authorized service personnel.
- Failure to do so can result in death, explosion, or fire.

**IMPORTANT:** A 20 lb LP gas fuel tank must be purchased separately.

**IMPORTANT:** The gas pressure regulator/hose assembly supplied with the conversion kit must be used. Replacement gas pressure regulator/hose assembly specific to your model, is available from your outdoor grill dealer.

### To Install the 20 lb LP Gas Fuel Tank:

1. Install the 20 lb LP gas fuel tank into the compartment below the grill.
2. Screw the gas pressure regulator/hose assembly to the 20 lb LP gas fuel tank as shown.



A. 20 lb LP gas fuel tank  
B. Gas pressure regulator/hose assembly

3. Turn on the gas supply. Wait a few minutes for gas to move through the gas line.
4. Test all connections by brushing on an approved noncorrosive leak-detection solution. Bubbles will show a leak. Correct any leak found.
5. The igniter battery is not factory installed. A 1.5 volt "D" size alkaline battery is located in the accessory box on the grill grate. Install battery at this time following the instructions in "Replacing the Igniter Battery" section.
6. Go to "Check and Adjust the Burners" section.

## Check and Adjust the Burners

The burners are tested and factory-set for most efficient operation. However, variations in gas supply and other conditions may make minor adjustments to air shutter or low flame setting necessary.

It is recommended that a qualified person make burner adjustments.

**NOTE:** The rotisserie burner cannot be adjusted.

Checking and adjusting the grill burner flames requires removing the grate and sear plates.

### Burner Flame Characteristics

The flames of the grill burners and side burners (on some models) should be blue and stable with no excessive noise or lifting (LP gas flames will have a slightly yellow tip). A yellow flame indicates not enough air. If flame is noisy or lifts away from the burner, there is too much air. Some yellow tips on flames when the burner is set to HI setting are acceptable as long as no carbon or soot deposits appear.

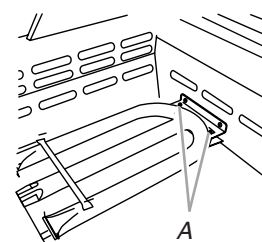
Check that burners are not blocked by dirt, debris, insect nests, etc. and clean as necessary. If they are clean, adjust air shutters as needed.

**IMPORTANT:** Before adjusting air shutters, let burners cool completely.

#### To Adjust:

1. Light grill using information in the "Outdoor Grill Use" section.
2. Observe flame to determine which burners need adjustment and how the flame is acting.
3. Turn off the valve and wait until grill and burners cool completely.
4. Remove grill grates and sear plates.

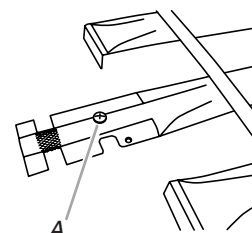
5. Remove the 2 screws that hold the burner in place. Remove gas burner from the grill.



A. 2 screws

6. If flame is yellow (not enough air), turn air shutter adjustment screw counterclockwise.

If flame is noisy or lifts away from burner (too much air), turn air shutter adjustment screw clockwise.



A. Air shutter adjustment screw

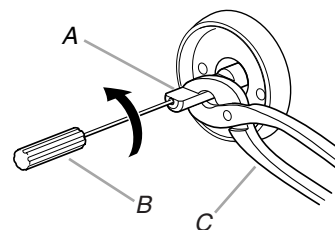
Adjustment should be made clockwise or counterclockwise from 1/8" (3.2 mm) to 1/4" (6.4 mm).

7. Replace gas burner, sear plates and grates.
8. Light grill using information in the "Outdoor Grill Use" section. See "Burner Flame Characteristics."

### Low Flame Adjustment

If flame goes out on the "LO" setting, the low flame setting must be adjusted.

1. Turn off the valve and wait until grill and burners are cool.
2. Remove grill grates and sear plates.
3. Light grill using information in the "Outdoor Grill Use" section.
4. Turn burner to its lowest setting and remove knob.
5. Hold valve stem with pliers and insert a small flat-blade screwdriver into the shaft.
6. Watch the flame and slowly turn the screwdriver counterclockwise.
7. Adjust flame to minimum stable flame.



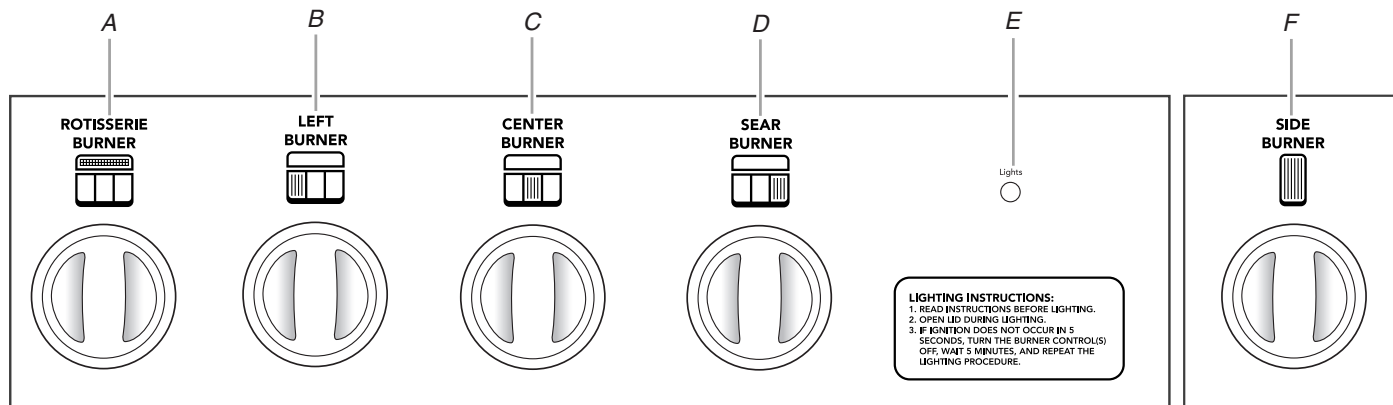
A. Valve stem  
B. Small flat-blade screwdriver  
C. Pliers

8. Replace the control knob and turn off the burner.
9. Repeat steps 3 through 8 for each burner if needed.
10. Replace the sear plates and grates after the burners have cooled.

# OUTDOOR GRILL USE

This manual covers several different models. The grill you have purchased may have some or all of the features listed. The locations and appearances of the features shown here may not match those of your model.

## Control Panel



A. Rotisserie burner control knob  
 B. Left grill burner control knob  
 C. Center grill burner control knob

D. Sear burner control knob  
 E. Hood lights  
 F. Side burner control knob

## Using Your Outdoor Grill

### **⚠ WARNING**



#### Explosion Hazard

Do not store fuel tank in a garage or indoors.  
 Do not store grill with fuel tank in a garage or indoors.  
 Failure to follow these instructions can result in death, explosion, or fire.

### **⚠ WARNING**



#### Fire Hazard

Do not use grill near combustible materials.  
 Do not store combustible materials near grill.  
 Doing so can result in death or fire.

### **⚠ WARNING**

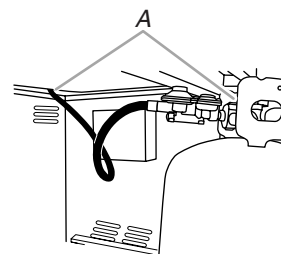
#### Food Poisoning Hazard

Do not let food sit for more than one hour before or after cooking.  
 Doing so can result in food poisoning or sickness.

### Inspect the LP Gas Fuel Tank Supply Hose

Inspect the gas pressure regulator/hose assembly before each use.

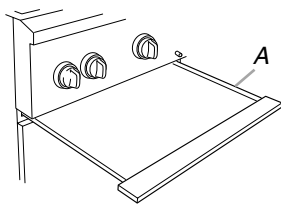
1. Open cabinet doors and slide the 20 lb LP gas fuel tank out.
2. Inspect the gas pressure regulator/hose assembly for cuts, abrasions, or excessive wear.
3. If necessary, replace the gas pressure regulator/hose assembly before using the grill.  
 Contact the dealer and use only replacement hoses specified for use with the grill.



A. Gas pressure regulator/hose assembly

## Prepare the Gas Supply

1. Open the hood completely. Do not light burners with the hood closed.
2. Make sure control knobs are turned to OFF. The drip pan must be in place and pushed all the way to the back.



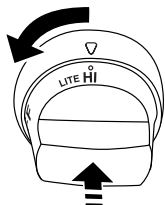
A. Drip pan

## Turn the Gas Supply On

1. For freestanding outdoor grills using a 20 lb LP gas fuel tank: Slowly open the tank valve.  
**NOTE:** If flow limiting device activates, your grill may not light. If your grill does light, the flames will be low and will not heat properly. Turn tank valve and all control knobs off and wait 30 seconds. After shutting off the tank, very slowly open tank valve and wait 5 seconds before lighting.
2. For outdoor grills using gas supply source other than a 20 lb LP gas fuel tank: Open the manual shutoff valve in the gas supply line. The valve is open when the handle is parallel to the gas pipe.

## Lighting the Grill and Infrared Sear Burners

1. Do not lean over the grill.
2. Select the burner you want to light. Push in and turn the grill burner control knob to LITE/HI, while continuing to hold it in.

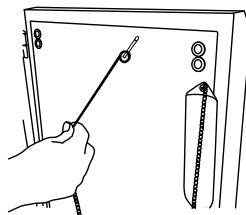


3. You will hear the “snapping” sound of the spark. When burner is lit, release the knob. Turn knob to desired setting.
4. Repeat for each of the other burners as needed.

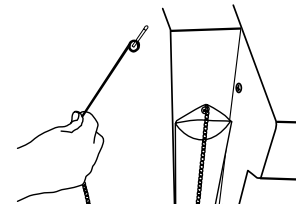
**IMPORTANT:** If burner does not light immediately, turn the burner knob to OFF and wait 5 minutes before relighting.

## Manually Lighting Main Grill and Infrared Sear Burners

1. Do not lean over the grill.
2. Remove the manual lighting extension (see following illustration) and attach a match to the split ring.

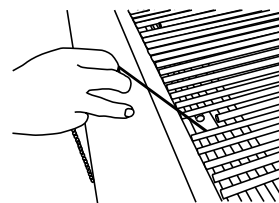


Freestanding grills - right-hand cabinet door

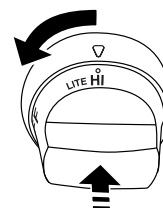


Built-in grills - right-hand side flange

3. Strike the match to light it.
4. Guide the lit match between the grill grate and one of the slots in the sear plate.



5. Push in and turn the burner knob to LITE/HI for the burner closest to the lit match. The burner will light immediately. When burner is lit, turn knob to desired setting.



6. Repeat steps 3 through 5 for each main burner.
7. Remove match and replace manual lighting extension inside the cabinet door.

### IMPORTANT:

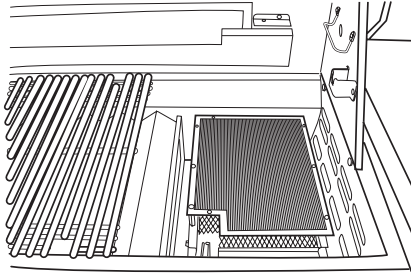
If burner does not light immediately, turn the burner knob to OFF and wait 5 minutes before relighting.

If any burners do not light after attempting to light them manually, contact the KitchenAid Customer eXperience Center. See the “Assistance or Service” section.

## Using Your Infrared Sear Burner

Infrared grilling produces intense heat which quickly sears the meat. Searing locks in flavor and juices while allowing the outer surface to absorb smoke and food aroma that is produced as grease and drippings are vaporized by the burner. The result is a crisp, flavorful outside with a tender, juicy inside.

- Preheat the infrared sear burner for 5 minutes.
- Ensure that meats are fully thawed and that all excess fat is trimmed away prior to grilling.
- Leave the burner set to HI when placing food on the grill to sear.
- Use the sear burner to sear meat 1 to 2 minutes on each side, then move the meat to the main grill cooking surface to finish grilling to the desired doneness.



**NOTE:** View is shown with grates removed. Grates are to be in place when using the infrared sear burner.

## Using Your Side Burner

### ⚠ WARNING



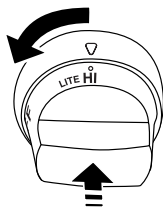
#### Burn Hazard

**Do not let the burner flame extend beyond the edge of the pan.**

**Doing so can result in burns.**

### Lighting the Side Burner

1. Remove the side burner cover. Do not light burners with the cover on.
2. Do not lean over the grill.
3. Push in and turn the control knob to LITE/HI and hold in.

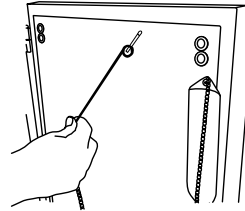


4. You will hear the “snapping” sound of the spark igniter. When burner is lit, release the knob. Turn knob to desired setting.
5. Repeat for each of the other burners as needed.

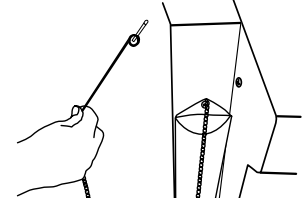
**IMPORTANT:** If burner does not light immediately, turn the burner knob to OFF and wait 5 minutes before relighting.

### Manually lighting the side burner

1. Do not lean over the grill.
2. Remove the manual lighting extension (see following illustration) and attach a match to the split ring.

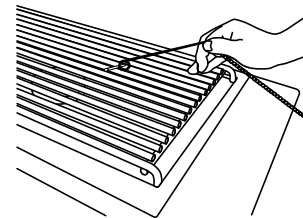


*Freestanding grills - right-hand cabinet door*

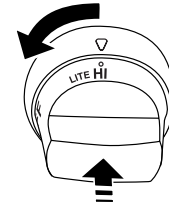


*Built-in grills - right-hand side flange*

3. Strike the match to light it.
4. Guide the match to the burner you wish to light.



5. Push in and turn the burner knob to LITE/HI for the burner closest to the lit match. The burner will light immediately. When burner is lit, turn knob to desired setting.



6. Repeat steps 3 through 5 for each burner.
7. Remove match and replace manual lighting extension inside the cabinet door.

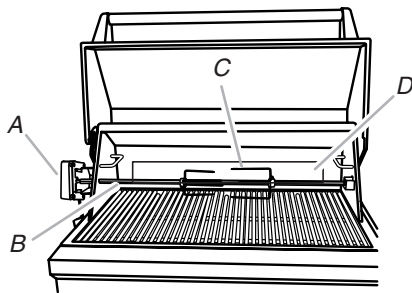
### IMPORTANT:

If burner does not light immediately, turn the burner knob to OFF and wait 5 minutes before relighting.

If any burners do not light after attempting to light them manually, contact the KitchenAid Customer eXperience Center. See the “Assistance or Service” section.

## Using Your Rotisserie (Optional Accessory)

A rotisserie kit can be purchased as an accessory for the grill. See “accessories” in the “Assistance or Service” section.



A. Rotisserie motor  
B. Spit rod  
C. Rotisserie fork  
D. Rotisserie burner

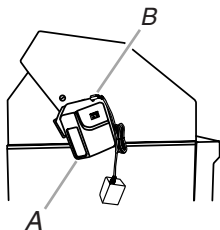
For best cooking results, do not use main grill burners when using the rotisserie.

The rotisserie system is designed to cook food from the rear using intense, searing infrared heat.

**NOTE:** To avoid product damage when not using the rotisserie, remove motor and store indoors. Remove spit rod and forks. Store out of reach of children.

### To Use:

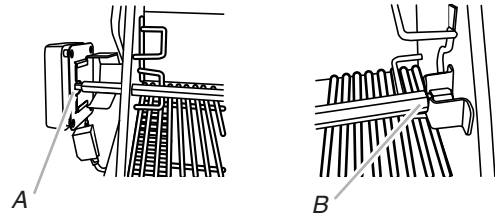
1. Remove warming shelf.
2. Mount rotisserie motor on the grill's mounting bracket. Position it securely into support bracket slots. Plug single-prong plug 500 mAmp transformer into rotisserie motor.



A. Rotisserie motor  
B. Single-prong power cord

3. To load the spit rod, slide one of the rotisserie forks onto the spit rod with prongs facing inward.
4. Push spit rod through the center of the food, then slide second rotisserie fork into position.
5. Center the food and rotisserie forks on spit rod and tighten wing nuts on the rotisserie forks. If necessary, secure loose food portions with butcher's string only.

6. Once the food is positioned on spit rod, place pointed end of rod through the hole in the left side of the grill and into the rotisserie motor, then lower the notched end of the spit rod onto the support bracket on the opposite side.



A. Pointed end of spit rod  
B. Notched end of spit rod

7. Check that food is centered with the rotisserie burner. If not, loosen wing nuts, reposition food and retighten wing nuts.

## ⚠ WARNING



### Electrical Shock Hazard

**Plug into a grounded 3 prong outlet.**

**Do not remove ground prong.**

**Do not use an adapter.**

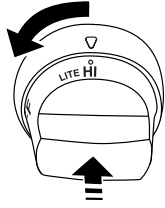
**Do not use an extension cord.**

**Failure to follow these instructions can result in death, fire, or electrical shock.**

8. Plug into a grounded 3 prong outlet.
9. Turn on the rotisserie motor and light the rotisserie burner. See the following “Lighting the Rotisserie Burner” section.

## Lighting the Rotisserie Burner

1. Do not lean over the grill.
2. Push in and turn the control knob to LITE/HI. You will hear the "snapping" sound of the spark.

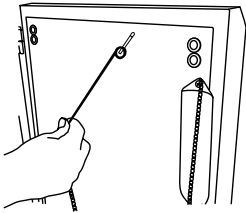


3. When the rotisserie burner lights, continue to hold the knob in for another 10 seconds, then release the knob and burner will stay lit. You will hear the "snapping" sound of the spark until the knob is released.

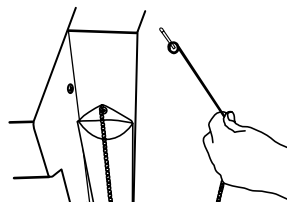
**IMPORTANT:** If the rotisserie burner does not light immediately, turn the burner knob to OFF and wait 5 minutes before relighting.

## Manually Lighting the Rotisserie Burner

1. Do not lean over the grill.
2. Remove the manual lighting extension (see following illustration) and attach a match to the split ring.

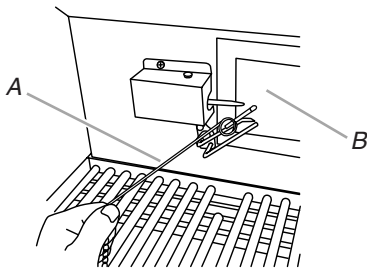


*Freestanding grills - right-hand cabinet door*



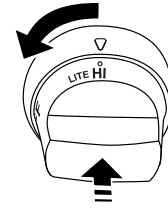
*Built-in grills - right-hand side flange*

3. Strike the match to light it.
4. Gently hold the lit match close to the rotisserie burner.



*A. Lighting extension  
B. Rotisserie burner*

5. Push in and turn the control knob to LITE/HI. Hold this knob in for 10 seconds after the burner is lit. You will hear the "snapping" sound of the spark until after the knob is released.



**IMPORTANT:** If the rotisserie burner does not light immediately, turn the rotisserie burner control knob to OFF and wait 5 minutes before relighting.

6. Remove the match and replace the manual lighting extension inside the cabinet door.

## Rotisserie Cooking Tips

### **! WARNING**

#### **Food Poisoning Hazard**

**Do not let food sit for more than one hour before or after cooking.**

**Doing so can result in food poisoning or sickness.**

Rotisserie cooking rotates food in front of the rotisserie burner, creating an intense heat for searing the outside and sealing in natural juices.

The rotisserie burner reaches cooking temperatures in about 1 minute. It is not necessary to preheat when using the rotisserie.

- Select tender meat and poultry.
- Allow at least 1" (2.5 cm) space between rotisserie burner and the food.
- To make cleanup easier, place a pan under the food to catch drippings.
- The hood can be opened or closed, but when using the rotisserie with the smoker the hood should be closed.
- Add barbecue sauce or glaze only during the last 10 minutes of cooking to keep sauce from burning.

## Trussing Poultry for the Rotisserie

1. Load the spit rod by sliding one of the forks on the rod, with the prongs facing inward. Tighten the screw to keep it from slipping.
2. Push the rod through the center of the bird.
3. Cut 24" (61 cm) of butcher's string and center it under the bird, breast side up.

- Wrap each end of the string around the wings; catch each wing tip. Bring the string tightly together at the top of the breast and knot. It is not necessary to cut off the extra string.
- Cut another 20" (50.8 cm) of string and lay it under the back of the bird. Wrap it around the tail then around the spit rod, cinching tightly.
- Cross the legs on top of spit rod; tie string around the crossed legs.
- Connect the twine holding the legs, to the string holding the wings, and knot. Cut off any bits of hanging string.
- Slide on the second fork pushing the tines into the drumsticks.
- Center the food and forks on the rod and tighten the thumb-screws. The bird should be firmly in place on the rotisserie spit rod.

#### ROTISSERIE CHART

Use a portable meat thermometer to check internal doneness of the food.

Turn off rotisserie burner when meat thermometer reads 5°F/3°C lower than desired internal temperature. Continue rotating, hood closed, for 10 minutes before carving.

Timing is affected by weather conditions such as wind and outside temperature.

Food	Weight	Internal Doneness or Temperature (°F/°C)	Approximate Grilling Time (min/lb)
<b>Beef</b>			
Roasts	4-6 lbs	Medium-rare	15-20
Rib Eye	1.5-2.2 kg	(145°F/ 63°C)	
Sirloin Tip		Medium	20-25
Rib, boneless		(160°F/71°C)	
<b>Poultry</b>			
Chicken	3-6 lbs	Breast	25-30
	1.1-2.2 kg	Thigh	25-30
		(170°F/ 77°C)	
		(180°F/82°C)	
Turkey, whole	7-10 lbs	Breast	11-20
	2.6-3.7 kg	Thigh	11-20
		(170°F/77°C)	
		(180°F/82°C)	
<b>Lamb</b>			
Boneless leg	4-7 lbs	Medium	20-25
	1.5-2.6 kg	(160°F/71°C)	
<b>Pork</b>			
Loin roast, boneless	4-6 lbs	Medium	20-23
	1.5-2.2 kg	(160°F/71°C)	

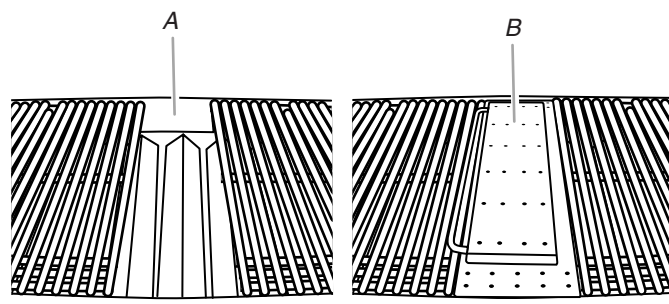
## Using Your Smoker Box

(on some models and as an accessory)\*

The smoker box can be used when grilling or when using your rotisserie.

- Prepare wood chips/pellets following manufacturer's directions.
- Open smoker box lid and add prepared chips/pellets onto the grate inside the smoker box.
 

**NOTE:** For about 1 hour of smoking, fill the smoker box approximately ¼ full of chips/pellets.
- Remove the small grate from the grill and replace with the smoker box.



A. Shown with small grate removed  
B. Smoker box

- Light the burner below the smoker box and preheat on high until smoker begins smoking. Reduce the heat setting to keep the smoke at the amount desired.

#### To Refill the Smoker Box During Use

**IMPORTANT:** You may want to wear oven mitts when opening and closing the smoker box lid.

- Open grill hood.
  - Lift smoker box lid and add more prepared chips/pellets.
  - Close the smoker box lid.
  - Close the grill hood and continue grilling.
- See "Assistance or Service" section to order.

## Hood Lights

#### For Freestanding Models;

The grill must be plugged in for the hood lights to work. See "Plug in Grill" in the "Style 1 - Freestanding Outdoor Grill Installation" section.

#### For Built-In Models:

The 5,000 mAmp power transformer must be plugged in for the hood lights to work. See "Plug in Grill" in the "Style 2 - Built-in Outdoor Grill Installation" section.

#### To Use:

Press the LIGHTS button on the control panel to turn the hood lights on and off.

# TIPS FOR OUTDOOR GRILLING

## **⚠ WARNING**

### **Food Poisoning Hazard**

**Do not let food sit for more than one hour before or after cooking.**

**Doing so can result in food poisoning or sickness.**

### **Before Grilling**

- Thaw food items before grilling.
- Preheat grill on high (use all grill burners) 10 minutes. The hood must be closed during preheating. There is no need to use the back rotisserie burner for preheating. Preheating provides the high heat needed to brown and seal the juices.
- Shorten the preheat time when grilling high-fat cuts of meat or poultry, such as chicken thighs. This will help reduce flare-ups.
- Lightly oil the grill grates or the food when cooking low-fat cuts of meat, fish or poultry, such as lean hamburger patties, shrimp or skinless chicken breasts.
- Using too much oil can cause gray ash to deposit on food.
- Trim excess fat from meats prior to cooking to reduce flare-ups.
- Make vertical cuts at 2" (5 cm) intervals around the fat edge of meat to avoid curling.
- Add seasoning or salt only after the cooking is finished.

### **During Grilling**

- Turn foods only once. Juices are lost when meat is turned several times.
- Turn meat just when juices begin to appear on the surface.
- Avoid puncturing or cutting the meats to test doneness. This allows juices to escape.
- It may be necessary to lower the heat setting for foods that cook a long time or are marinated or basted in a sugary sauce.
- If using a high flame, add barbecue sauce only during the last 10 minutes of cooking to avoid burning the sauce.
- The degree of doneness is influenced by the type of meat, cut of meat (size, shape and thickness), heat setting selected, and length of time on the grill.
- Cooking time will be longer with an open grill cover.

## **Cooking Methods**

For optimal use of the SureSear™ system, the following cooking methods are recommended.

### **Direct Heat**

Cooking by direct heat means the food is placed on grill grates directly above lighted burners. Hood position can be up or down. If hood is in the up position, total cooking times may be longer.

Direct heat sears the food. Searing is a process that seals natural juices in food by cooking with intense heat for a short period of time. While juices stay inside, the outside is browned with a flavorful grilled coating.

### **Indirect Heat**

For best results, do not select the indirect heat cooking method when it is windy.

Cooking by indirect heat means the food is placed on the grill grate above an unheated burner, allowing heat from lighted burner(s) on either side to cook the food.

If possible, turn on 2 burners. Cook with the hood down. This will shorten the cooking time.

### **Indirect Cooking**

Place food only on the grill grate over the OFF burners.

<b>Grill Size</b>	<b>Burner</b>	<b>Burner</b>	<b>Burner</b>
	1	2	3
27" (68.6 cm) grill	ON	OFF	-
36" (91.4 cm) grill	ON	OFF	ON

## Grilling Chart

- Knobs have High, Medium and Low settings for flame adjustment.
- Heat settings indicated are approximate.
- Grilling times are affected by weather conditions.
- When 2 temperatures are listed, for example: Medium to Medium-Low, start with the first and adjust based on cooking progress.
- Cooking times may vary from chart times depending on the type of fuel, Natural or LP gas.

FOOD	COOKING METHOD/ BURNER SETTING	INTERNAL TEMP.	TIME (total minutes)	SPECIAL INSTRUCTIONS
<b>Beef</b>				
Hamburgers ½" (1.3 cm) to ¾" (1.9 cm) thick	DIRECT Medium	Medium (160°F/71°C)	10-15	Grill, turning once.
Roasts Rib Eye, Sirloin	INDIRECT Medium/OFF/Medium	Med-Rare (145°F/63°C) to Medium (160°F/71°C)	32-40 per lb (12-15 per kg)	Tent with foil first 45-60 minutes of cooking time.
Steaks, 1" (2.5 cm) Porterhouse, Rib, T-bone, Top Loin, Sirloin	DIRECT Medium	Med-Rare (145°F/63°C) to Medium (160°F/71°C)	11-16	Rotate steaks ¼ turn to create criss-cross grill marks.
Steaks, 1½" (3.8 cm) Porterhouse, Rib, T-bone, Top Loin, Sirloin	DIRECT Medium	Med-Rare (145°F/63°C) to Medium (160°F/71°C)	18-25	
Top Round or Shoulder/ Chuck (London Broil) 1½" (3.8 cm) thick	DIRECT Medium	Med-Rare (145°F/63°C) to Medium (160°F/71°C)	22-29	
Flank, ½" (1.3 cm) thick	DIRECT Medium	Med-Rare (145°F/63°C)	11-16	
<b>Pork</b>				
Chops, 1" (2.5 cm) 1½" (3.8 cm) thick	DIRECT Medium to Med-Low	Medium (160°F/71°C)	12-22 30-40	
Ribs 2½-4 lbs (0.9-1.5 kg)	INDIRECT Med/OFF/Med	Medium (160°F/71°C)	40-60	Grill, turning occasionally. During last few minutes brush with barbecue sauce if desired. When done, wrap in foil.
Roast, boneless tenderloin, 1 lb (0.37 kg)	DIRECT Medium	Medium (160°F/71°C)	18-22	Turn during cooking to brown on all sides.
Ham half, 8-10 lbs (3-3.7 kg)	INDIRECT Med/OFF/Med	Reheat (140°F/60°C)	2-2½ hours	Wrap entire ham in foil and put on grill without pan or drip pan.
Ham steak precooked, ½" (1.3 cm) thick	DIRECT Preheat Medium Grill Medium	Reheat (145°F/63°C)	7-10	
Hot Dogs	DIRECT Medium	Reheat (145°F/63°C)	5-10	Slit skin if desired.
<b>Chicken</b>				
Breast, boneless	DIRECT Medium	170°F/77°C	15-22	For even cooking, pound breast to ¾" (2.0 cm) thick.
Pieces, 2-3 lbs (0.75-1.1 kg)	DIRECT Med-Low to Medium	Breast 170°F/77°C Thigh 180°F/82°C		Start bone side down.
<b>Lamb</b>				
Chops and Steaks, Loin, Rib, Sirloin, 1" (2.5 cm) thick	DIRECT Medium	Med-rare (145°F/63°C) to Medium (160°F/71°C)	10-20	
1½" (3.8 cm) thick	DIRECT Medium	Med-rare (145°F/63°C) to Medium (160°F/71°C)	16-20	

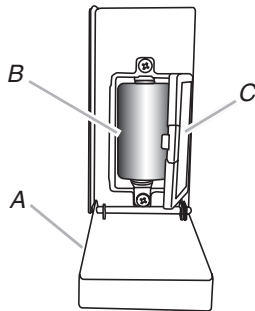
<b>FOOD</b>	<b>COOKING METHOD/ BURNER SETTING</b>	<b>INTERNAL TEMP.</b>	<b>TIME (total minutes)</b>	<b>SPECIAL INSTRUCTIONS</b>
<b>Fish and Seafood</b>				
Fillets, Steaks, Chunks Halibut, Salmon, Swordfish, 8 oz (0.25 kg)	DIRECT Medium		4-6 per ½" (1.3 cm) thickness of fish	Grill, turning once. Brush grill with oil to keep fish from sticking. Remove when inside is opaque and flaky with skin easily removed.
Whole, Catfish, Rainbow Trout, 8-11 oz (0.25- 0.34 kg)	DIRECT High		5-7 per side	
Shellfish, Scallops, Shrimp	DIRECT Medium		4-8	
<b>Turkey</b>				
Whole breast (bone-in)	INDIRECT HI/OFF/HI	170°F/77°C	14-18	Tent with foil until last 30 minutes of cooking time.
Half breast (bone-in)	INDIRECT Medium/OFF/Medium	170°F/77°C	25-30	Start skin side down.
Whole, 7-12 lbs (2.6-5.4 kg)	INDIRECT HI/OFF/HI	Breast 170°F/77°C Thigh 180°F/82°C	11-16	Less than 11 lbs. (5.0 kg)
<b>Fresh Vegetables</b>				
Corn on the cob	DIRECT Medium		20-25	Soak in cold water 20 minutes. Do not husk. Shake off excess water.
Eggplant	DIRECT Medium		7-10	Wash and cut into ½" (1.3 cm) slices or lengthwise. Brush with olive oil.
Onion, ½" (1.3 cm) thick	DIRECT Medium		8-20	Grill, turning once. Brush with olive oil. Put a skewer through several slices to hold together.
Potatoes, Sweet, whole	DIRECT Medium		40-70	Individually wrap in heavy-duty foil. Grill, rotating occasionally.
Baking, whole	DIRECT High		45-90	
Peppers, Roasted	DIRECT High		15-22	Wash and place on grill whole. Char skin all around. Cool in a paper bag or plastic wrap to loosen blackened skin. Peel and remove seeds.
Squash, Summer, Zucchini	DIRECT Medium		7-10	Wash and cut into ½" (1.3 cm) slices or lengthwise. Brush with olive oil.
Garlic Roasted	DIRECT Medium		20-25	Cut off top, drizzle with olive oil and wrap in double layer of foil.

# OUTDOOR GRILL CARE

## Replacing the Igniter Battery

If igniters stop sparking, the battery should be replaced.

1. Open battery compartment. Remove battery.

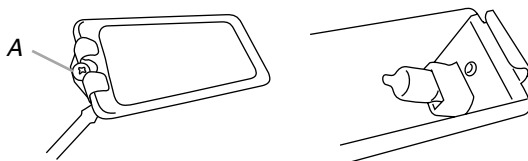


A. Outer battery compartment cover  
B. 1.5-volt "D" size battery  
C. Inner battery compartment cover

2. Replace with an alkaline 1.5-volt "D" size battery.
3. Close inner compartment, cover will snap into place.
4. Close outer cover.

## Changing the Light Bulb

1. Unplug grill or disconnect power.
2. To remove glass light cover, remove screw and gently pry downward with a small flat-blade screwdriver at the left edge of the cover near the screw, and pull away from the retainer.



A. Screw

3. Remove bulb from socket.
4. Replace bulb with a new 12-volt, 10-watt maximum, halogen bulb, using a tissue or wearing cotton gloves to handle the bulb. To avoid damaging the bulb, do not touch the bulb with bare fingers.
5. Replace glass light cover by placing end without clip into the clip mounted on the grill. Snap the screw end into place and tighten the screw.
6. Plug in grill or reconnect power.

## General Cleaning

**IMPORTANT:** Before cleaning, make sure all controls are off and the grill is cool. Always follow label instructions on cleaning products.

For routine cleaning, wash with soap and water using a soft cloth or sponge. Rinse with clean water and dry at once with a soft, lint-free cloth to avoid spots and streaks.

Do not use steel wool to clean the grill, as it will scratch the surface.

To avoid weather damage to finish, use vinyl grill cover. See "Assistance or Service" section.

## STAINLESS STEEL

**IMPORTANT:** To avoid damage to stainless steel surfaces, do not use soap-filled scouring pads, abrasive cleaners, Cooktop Polishing Creme, steel wool, gritty wash cloths or paper towels.

Cleaners should not contain chlorine. Damage may occur.

Food spills should be cleaned as soon as entire grill is cool. Spills may cause permanent discoloration.

### Cleaning Method:

- Rub in direction of grain to avoid scratching or damaging the surface.
- KitchenAid® Stainless Steel Cleaner and Polish Part Number 4396920 (not included): See "Assistance or Service" section to order.
- Liquid detergent or all-purpose cleaner:
- Rinse with clean water and dry with soft, lint-free cloth.
- Vinegar to remove hard water spots.
- Glass cleaner to remove fingerprints.

## GRILL GRATES

**IMPORTANT:** To avoid damage to grill grates, do not use a steel or fiber scraper. Immediately after you are finished cooking, loosen food soil with a brass bristle brush. Turn all burners to HI for 10-15 minutes with the hood closed to burn off food soil. Turn off all burners, raise the hood and let grates cool. Use the brass bristle brush to remove ash from the grill grates.

When completely cool, grill racks can be removed for thorough cleaning. Clean them with a mild detergent and warm water.

For baked-on soil, prepare a solution of 1 cup (250 mL) ammonia to 1 gal. (3.75 L) water. Soak grates for 20 minutes, then rinse with water and dry completely.

## WARMING SHELF

### Cleaning Method:

- Liquid detergent or an all-purpose cleaner.
- Rinse with clean water and dry with soft, lint-free cloth.
- For tough spots or baked-on grease, use Heavy Duty Degreaser Part Number 31552, a commercial degreaser designed for stainless steel. See "Assistance or Service" section to order.

**IMPORTANT:** Make sure gas supply is off and all control knobs are in the OFF position. Make sure the side burner is cool.

## EXTERIOR

The quality of this material resists most stains and pitting, providing that the surface is kept clean, polished and covered.

- Apply stainless steel polish to all non-cooking areas before first use. Reapply after each cleaning to avoid permanent damage to surface.
- Cleaning should always be followed by rinsing with clean warm water.
- Wipe the surface completely dry with a soft cloth.
- For tough spots or baked-on grease, use Heavy Duty Degreaser Part Number 31552, a commercial degreaser designed for stainless steel. See "Assistance or Service" section to order.

---

## INTERIOR

---

Discoloration of stainless steel on these parts is to be expected, due to intense heat from the burners. Always rub in the direction of the grain. Cleaning should always be followed by rinsing with clean, warm water.

### Cleaning Method:

- Liquid detergent or all-purpose cleaner.
- Rinse with clean water and dry completely with a soft, lint-free cloth.
- A heavy-duty scrub sponge can be used with mild cleaning products.
- For small, difficult-to-clean areas, use Heavy Duty Degreaser Part Number 31552, a commercial degreaser designed for stainless steel. See "Assistance or Service" section to order.

---

## SIDE BURNER CAPS AND GRATE

---

### Cleaning Method:

- Clean with a brass bristle brush.
- Wash grate using mild detergent, warm water and degreaser.
- Rinse with clean water and dry with soft, lint-free cloth.
- KitchenAid® Stainless Steel Cleaner and Polish Part Number 4396920 (not included): See "Assistance or Service" section to order.

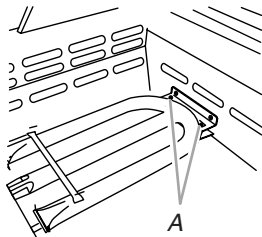
---

## U-SHAPED BURNERS

---

### Cleaning Method:

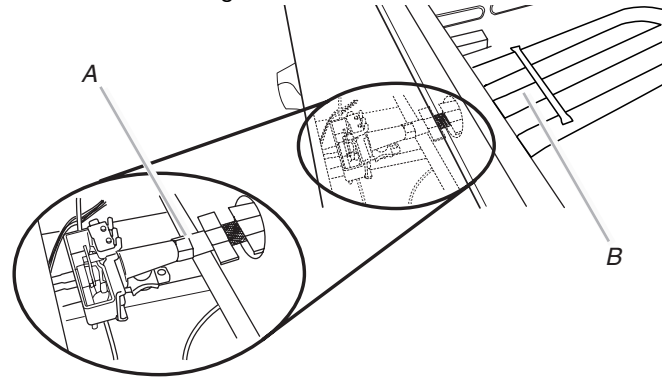
- Clean the exterior of the burner with a wire brush.
- Clear any clogged burner ports with a straightened paper clip.
- Do not use a toothpick as it may break off and clog the port.
- Check and clean burner/venturi tubes.
  1. Remove grill grates and sear plates.
  2. Remove the 2 screws that hold the burner in place. Remove gas burner from the grill.



A. 2 screws

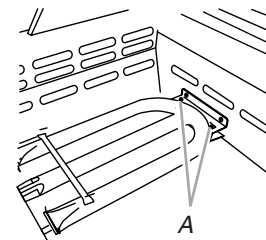
3. Use a flashlight to inspect into the burner through the burner inlet to ensure there is no blockage. If any obstruction is seen, use a metal coat hanger that has been straightened to clear them.

4. After inspecting the inside of burner for blockage, reassemble burner by sliding the middle tube of the gas burner over the gas orifice.



A. Burner/orifice connection

5. Reattach gas burner using 2 screws.



A. 2 screws

---

## INFRARED SEAR BURNERS (on some models)

---

### Cleaning Method:

1. Light the infrared sear burner. See the "Lighting the Grill and Infrared Sear Burners" in the "Outdoor Grill Use" section.
2. Turn knob to HI and close the grill hood.
3. Leave the burner on high for approximately 30 minutes.
4. Turn knob to OFF and let cool completely.
5. Remove grill grate and brush off ash particles from the sear burner cover plate.
6. Replace grill grate.

---

## DRIP TRAY

---

**IMPORTANT:** The drip tray should only be removed when grill is completely cool.

The full-width drip tray collects grease and food particles that fall through the grill. Clean often to avoid grease buildup.

### Cleaning Method:

- Remove tray and set on a flat surface.
- Wipe excess grease with paper towels.
- Mild detergent and warm water. Rinse and dry thoroughly.
- Replace tray.

---

## KNOBS AND FLANGE AREA AROUND KNOBS

---

**IMPORTANT:** To avoid damage to knobs or flange area around knobs, do not use steel wool, abrasive cleaners, or oven cleaner. Do not soak knobs.

### Cleaning Method:

- Mild detergent, a soft cloth and warm water.
- Rinse and dry.

## CONTROL PANEL GRAPHICS

**IMPORTANT:** To avoid damage to control panel graphics, do not use steel wool, abrasive cleaners or oven cleaner.

Do not spray cleaner directly onto panel.

### Cleaning Method:

- Clean around the burner labels gently; scrubbing may remove printing.
- Mild detergent, soft cloth and warm water.
- Rinse and dry.

## ROTISSERIE SPIT ROD AND FORKS

### Cleaning Method:

- Wash with mild detergent, using a soft cloth and warm water.
- Rinse and dry.
- For stubborn areas, use a multipurpose cleaner, a heavy-duty scrub sponge or mild abrasive cleaner.

# TROUBLESHOOTING

Try the solutions suggested here first in order to avoid the cost of an unnecessary service call.

### Nothing will operate

- **Is the main or regulator gas shutoff valve in the off position?**  
See Installation Instructions.
- **Is the grill properly connected to the gas supply?**  
Contact a trained repair specialist or see Installation Instructions.

## ⚠ WARNING



### Electrical Shock Hazard

**Plug into a grounded 3 prong outlet.**

**Do not remove ground prong.**

**Do not use an adapter.**

**Do not use an extension cord.**

**Failure to follow these instructions can result in death, fire, or electrical shock.**

- **Is the power supply cord unplugged?**  
Plug into a grounded 3 prong outlet.
- **Has a household fuse blown, or has a circuit breaker tripped?**  
Replace the fuse or reset the circuit breaker. If the problem continues, call an electrician.
- **Is the 5,000 mA power transformer unplugged?**  
Plug into the single-prong plug in the receptacle on the left underside of the built-in grill.

# ASSISTANCE OR SERVICE

Before calling for assistance or service, please check "Troubleshooting." It may save you the cost of a service call. If you still need help, follow the instructions below.

When calling, please know the purchase date and the complete model and serial number of your appliance. This information will help us to better respond to your request.

### If you need replacement parts

If you need to order replacement parts, we recommend that you use only factory specified parts. These factory specified parts will fit right and work right because they are made with the same precision used to build every new KITCHENAID® appliance.

To locate factory specified parts in your area, call us or your nearest KitchenAid designated service center.

## In the U.S.A.

Call the KitchenAid Customer eXperience Center toll free:  
**1-800-422-1230.**

### Our consultants provide assistance with:

- Features and specifications on our full line of appliances.
- Installation information.
- Use and maintenance procedures.
- Accessory and repair parts sales.
- Specialized customer assistance (Spanish speaking, hearing impaired, limited vision, etc.).
- Referrals to local dealers, repair parts distributors and service companies. KitchenAid designated service technicians are trained to fulfill the product warranty and provide after-warranty service, anywhere in the United States.

To locate the KitchenAid designated service company in your area, you can also look in your telephone directory Yellow Pages.

### For further assistance

If you need further assistance, you can write to KitchenAid with any questions or concerns at:

KitchenAid Brand Home Appliances  
Customer eXperience Center  
553 Benson Road  
Benton Harbor, MI 49022-2692

Please include a daytime phone number in your correspondence.

---

## Accessories

### Access Door Kits

18" (45.7 cm): Order Part Number KBAL181TSS  
18" (45.7 cm): Order Part Number KBAR181TSS  
27" (68.6 cm): Order Part Number KBAU272TSS  
30" (76.2 cm): Order Part Number KBAU302TSS  
36" (91.4 cm): Order Part Number KBAU362TSS

### Vinyl Grill Covers

#### Built-in models:

27" (68.6 cm): Order Part Number 8212704  
36" (91.4 cm): Order Part Number 8212705

#### Freestanding models:

27" (68.6 cm): Order Part Number 8212699  
36" (91.4 cm): Order Part Number 8212700  
48" (121.9 cm) [36" (91.4 cm) grill with side burner]:  
Order Part Number 8212701

### Rotisserie Kits

27" Rotisserie Kit: Order Part Number KFKU271TSS  
36" Rotisserie Kit: Order Part Number KFKU361TSS

### Smoker Box

Order Part Number KBDU271TSS

### KitchenAid® Stainless Steel Cleaner and Polish

Order Part Number 4396920

### All Purpose Appliance Cleaner

Order Part Number 31682

### Heavy Duty Degreaser

Order Part Number 31552

---

## In Canada

Call the KitchenAid Canada Customer eXperience Centre toll free: **1-800-807-6777**.

### Our consultants provide assistance with:

- Features and specifications on our full line of appliances.
- Use and maintenance procedures.
- Accessory and repair parts sales.
- Referrals to local dealers, repair parts distributors and service companies. KitchenAid Canada designated service technicians are trained to fulfill the product warranty and provide after-warranty service, anywhere in Canada.

### For further assistance

If you need further assistance, you can write to KitchenAid Canada with any questions or concerns at:

Customer eXperience Centre  
KitchenAid Canada  
1901 Minnesota Court  
Mississauga, Ontario L5N 3A7

Please include a daytime phone number in your correspondence.

---

# KITCHENAID® OUTDOOR PRODUCT WARRANTY

---

## LIMITED WARRANTY

For one year from the date of purchase, when this outdoor product is operated and maintained according to instructions attached to or furnished with the product, KitchenAid brand of Whirlpool Corporation or Whirlpool Canada LP (hereafter "KitchenAid") will pay for Factory Specified Parts and repair labor to correct defects in materials or workmanship. Service must be provided by a KitchenAid designated service company. This limited warranty is valid only in the United States or Canada and applies only when the outdoor product is used in the country in which it was purchased. Outside the 50 United States and Canada, this limited warranty does not apply. Proof of original purchase date is required to obtain service under this limited warranty.

---

## SECOND THROUGH FIFTH YEAR LIMITED WARRANTY ON PARTS ON GRILLS ONLY

In the second through fifth years from the date of purchase when this grill is operated and maintained according to instructions attached to or furnished with the product, KitchenAid will pay for Factory Specified Parts to correct defects in materials or workmanship.

---

## LIFETIME LIMITED WARRANTY ON STAINLESS STEEL COMPONENTS ON GRILLS ONLY

For the life of the product, when this grill is operated and maintained according to instructions attached to or furnished with the product, KitchenAid will pay for replacement of the stainless steel body housing due to defective materials or workmanship. For the life of the product, when this grill is operated and maintained according to instructions attached to or furnished with the product, KitchenAid will pay for replacement parts for the stainless steel grill burners.

---

## ITEMS EXCLUDED FROM WARRANTY

### This limited warranty does not cover:

1. Service calls to correct the installation of your outdoor product, to instruct you on how to use your outdoor product, to replace or repair house fuses, or to correct house wiring or plumbing.
2. Cosmetic damage, including scratches, dents, chips or other damage to the finish of your outdoor product, unless such damage results from defects in materials or workmanship and is reported to KitchenAid within 30 days from the date of purchase.
3. Repairs when your outdoor product is used for other than normal, single-family household use or when it is used in a manner that is contrary to published user or operator instructions and/or installation instructions.
4. Damage resulting from accident, alteration, misuse, abuse, fire, flood, acts of God, improper installation, installation not in accordance with electrical or plumbing codes, or use of consumables or cleaning products not approved by KitchenAid.
5. Conversion kit or service call for the conversion of your outdoor product from natural gas to L.P./propane or from L.P./propane to natural gas.
6. Costs associated with the removal from your home of your outdoor product for repairs. This outdoor product is designed to be repaired in the home and only in-home service is covered by this warranty.
7. Repairs to parts or systems resulting from unauthorized modifications made to the outdoor product.
8. Expenses for travel and transportation for product service if your outdoor product is located in a remote area where service by an authorized KitchenAid servicer is not available.
9. The removal and reinstallation of your outdoor product if it is installed in an inaccessible location or is not installed in accordance with published installation instructions.
10. Damage resulting from normal wear and tear of your outdoor product.
11. Outdoor products with original model/serial numbers that have been removed, altered or cannot be easily determined. This warranty is void if the factory applied serial number has been altered or removed from your outdoor product.

The cost of repair or replacement under these excluded circumstances shall be borne by the customer.

---

### DISCLAIMER OF IMPLIED WARRANTIES; LIMITATION OF REMEDIES

CUSTOMER'S SOLE AND EXCLUSIVE REMEDY UNDER THIS LIMITED WARRANTY SHALL BE PRODUCT REPAIR AS PROVIDED HEREIN. IMPLIED WARRANTIES, INCLUDING WARRANTIES OF MERCHANTABILITY OR FITNESS FOR A PARTICULAR PURPOSE, ARE LIMITED TO ONE YEAR OR THE SHORTEST PERIOD ALLOWED BY LAW. KITCHENAID SHALL NOT BE LIABLE FOR INCIDENTAL OR CONSEQUENTIAL DAMAGES. SOME STATES AND PROVINCES DO NOT ALLOW THE EXCLUSION OR LIMITATION OF INCIDENTAL OR CONSEQUENTIAL DAMAGES, OR LIMITATIONS ON THE DURATION OF IMPLIED WARRANTIES OF MERCHANTABILITY OR FITNESS, SO THESE EXCLUSIONS OR LIMITATIONS MAY NOT APPLY TO YOU. THIS WARRANTY GIVES YOU SPECIFIC LEGAL RIGHTS, AND YOU MAY ALSO HAVE OTHER RIGHTS WHICH VARY FROM STATE TO STATE OR PROVINCE TO PROVINCE.

---

If outside the 50 United States and Canada, contact your authorized KitchenAid dealer to determine if another warranty applies.

If you need service, first see the "Troubleshooting" section of the Use & Care Guide. After checking "Troubleshooting," you may find additional help by checking the "Assistance or Service" section or by calling KitchenAid. In the U.S.A., call **1-800-422-1230**. In Canada, call **1-800-807-6777**. 9/07

---

### Keep this book and your sales slip together for future reference. You must provide proof of purchase or installation date for in-warranty service.

Write down the following information about your major appliance to better help you obtain assistance or service if you ever need it. You will need to know your complete model number and serial number. You can find this information on the model and serial number label located on the product.

Dealer name \_\_\_\_\_

Address \_\_\_\_\_

Phone number \_\_\_\_\_

Model number \_\_\_\_\_

Serial number \_\_\_\_\_

Purchase date \_\_\_\_\_

# SÉCURITÉ DU GRIL D'EXTÉRIEUR

## Votre sécurité et celle des autres est très importante.

Nous donnons de nombreux messages de sécurité importants dans ce manuel et sur votre appareil ménager. Assurez-vous de toujours lire tous les messages de sécurité et de vous y conformer.



Voici le symbole d'alerte de sécurité.

Ce symbole d'alerte de sécurité vous signale les dangers potentiels de décès et de blessures graves à vous et à d'autres.

Tous les messages de sécurité suivront le symbole d'alerte de sécurité et le mot "DANGER" ou "AVERTISSEMENT". Ces mots signifient :

**⚠ DANGER**

**Risque possible de décès ou de blessure grave si vous ne suivez pas immédiatement les instructions.**

**⚠ AVERTISSEMENT**

**Risque possible de décès ou de blessure grave si vous ne suivez pas les instructions.**

Tous les messages de sécurité vous diront quel est le danger potentiel et vous disent comment réduire le risque de blessure et ce qui peut se produire en cas de non-respect des instructions.

### **⚠ DANGER**

**En cas de détection d'une odeur de gaz :**

- 1. Fermer l'arrivée de gaz de l'appareil.**
- 2. Éteindre toute flamme nue.**
- 3. Ouvrir le couvercle.**
- 4. Si l'odeur persiste, s'éloigner de l'appareil et appeler immédiatement le fournisseur en gaz ou les pompiers.**

### **⚠ AVERTISSEMENT**

- 1. Ne pas remiser ou utiliser de l'essence ou tout autre liquide ou vapeur inflammable à proximité de cet appareil ou de tout autre appareil.**
- 2. Ne pas remiser une bouteille de gaz de pétrole liquéfié non raccordée à proximité de cet appareil ou de tout autre appareil.**

Avertissements de la proposition 65 de l'État de Californie :

AVERTISSEMENT : Ce produit contient un produit chimique connu par l'État de Californie pour être à l'origine de cancers.

AVERTISSEMENT : Ce produit contient un produit chimique connu par l'État de Californie pour être à l'origine de malformations et autres déficiences de naissance.

Dans l'État du Massachusetts, les instructions d'installation suivantes sont applicables :

- Les travaux d'installation et réparation doivent être exécutés par un plombier ou tuyauteur qualifié ou licencié, ou par le personnel qualifié d'une entreprise licenciée par l'État du Massachusetts.
- Si une vanne à boisseau sphérique est utilisée, elle doit comporter une manette "T".
- Si un conduit de raccordement flexible est utilisé, sa longueur ne doit pas dépasser 3 pi.

**IMPORTANT :** Ce gril est conçu pour un usage à l'extérieur uniquement. Pour les grils destinés à être utilisés à des altitudes supérieures à 2 000 pi (609,6 m), il est nécessaire de convertir le gicleur. Voir la section "Spécifications de l'alimentation en gaz". C'est à l'installateur qu'incombe la responsabilité de respecter les dégagements de séparation minimums, spécifiés sur la plaque signalétique de l'appareil. Pour les modèles encastrés, la plaque signalétique se trouve sur le côté droit du gril. Pour les modèles autoportants, la plaque signalétique se trouve sur le côté droit à l'intérieur de la paroi du placard.

## IMPORTANTES INSTRUCTIONS DE SÉCURITÉ

**AVERTISSEMENT :** Pour réduire le risque d'incendie, de choc électrique, de blessures corporelles ou de dommages lors de l'utilisation de l'appareil de cuisson à gaz d'extérieur, il convient d'observer certaines précautions fondamentales, notamment :

- Ne pas installer les appareils de cuisson à gaz d'extérieur (portatifs ou encastrés) dans ou sur un véhicule récréatif, une remorque portative, un bateau ou toute autre installation mobile.
  - Toujours respecter les distances de séparation minimales entre l'appareil et les constructions combustibles; voir la section "Exigences d'emplacement".
  - L'appareil de cuisson à gaz d'extérieur ne doit pas être situé sous une construction combustible non protégée.
  - Cet appareil de cuisson à gaz d'extérieur doit être utilisé à l'extérieur uniquement; ne pas l'utiliser dans un bâtiment, un garage ou tout autre endroit clos.
  - Conserver le cordon d'alimentation électrique et le tuyau d'alimentation en combustible à l'écart des surfaces chauffées.
  - Maintenir la zone de l'appareil de cuisson à gaz d'extérieur à l'abri des matériaux combustibles, essence ou autres vapeurs ou liquides inflammables.
  - Ne pas obstruer le flux de combustion et la ventilation. Conserver les ouvertures de ventilation de l'enceinte de la bouteille de gaz libre et dépourvues de débris.
  - Inspecter le tuyau d'alimentation de la bouteille de gaz avant chaque utilisation de l'appareil de cuisson à gaz d'extérieur. Si le tuyau présente d'importants signes d'abrasion ou d'usure ou s'il est coupé, il DOIT être remplacé avant toute nouvelle utilisation de l'appareil de cuisson à gaz d'extérieur. Contacter votre marchand et utiliser uniquement les tuyaux de rechange spécifiés pour utilisation avec l'appareil de cuisson à gaz d'extérieur.
  - Inspecter visuellement les flammes du brûleur. Elles doivent être bleues. Avec du gaz de pétrole liquéfié, il est normal d'observer une légère pointe jaune.
  - Nettoyer le tube du brûleur/de la buse et vérifier l'absence d'insectes ou de nids d'insectes. Un tube obstrué peut entraîner un feu sous l'appareil de cuisson à gaz d'extérieur.
  - La bouteille d'alimentation au gaz de pétrole liquéfié utilisée doit être :
    - construite et marquée conformément aux spécifications pour les bouteilles de gaz de pétrole liquéfié du U.S. Department of Transportation (DOT) ou de la Norme nationale du Canada, CAN/CSA-B339, Bouteilles, tubes et autres récipients pour le transport des marchandises dangereuses; et de la Commission.
    - fournie avec un dispositif de prévention de remplissage excessif.
    - fournie avec un dispositif de connexion de la bouteille de gaz compatible avec la connexion pour les appareils de cuisson à gaz d'extérieur.
  - Toujours vérifier les connexions pour identifier des fuites à chaque branchement et débranchement de la bouteille d'alimentation en gaz de pétrole liquéfié. Voir la section "Instructions d'installation".
  - Lorsque l'appareil de cuisson à gaz d'extérieur n'est pas utilisé, l'arrivée de gaz doit être fermée au niveau de la bouteille de gaz.
  - Le remisage d'un appareil de cuisson à gaz d'extérieur est autorisé seulement en cas de débranchement et de retrait de la bouteille de gaz de l'appareil.
  - Les bouteilles de gaz doivent être remisées à l'extérieur et hors de portée des enfants; elles ne doivent pas être remisées dans un bâtiment, un garage ou tout endroit clos.
  - Il est nécessaire d'utiliser le détendeur et le tuyau fournis avec l'appareil de cuisson à gaz d'extérieur. Un détendeur et un tuyau de rechange spécifiques à votre modèle sont disponibles auprès de votre marchand d'appareils de cuisson à gaz d'extérieur.
  - La bouteille de gaz doit comporter un manchon destiné à protéger le robinet de la bouteille.
  - Pour les appareils conçus pour utiliser une connexion CGA791: Placer un capuchon protecteur sur le robinet de la bouteille de gaz lorsqu'elle n'est pas utilisée. Installer uniquement le type de capuchon protecteur sur le conduit d'évacuation fourni avec la bouteille de gaz. D'autres types de capuchons ou obturateurs pourraient provoquer des fuites de propane.
- Le non-respect des instructions suivantes peut entraîner un incendie causant la mort ou des blessures graves.
- Ne pas remiser une bouteille de gaz de pétrole liquéfié de secours sous l'appareil de cuisson à gaz d'extérieur ou à proximité de celui-ci.
  - Ne jamais remplir la bouteille au-delà de 80 % de sa capacité de remplissage.

## CONSERVEZ CES INSTRUCTIONS

# EXIGENCES D'INSTALLATION

## Outillage et pièces

### Style 1 - Grils d'extérieur autoportants

Rassembler les outils et pièces nécessaires avant de commencer l'installation. Lire et suivre les instructions fournies avec les outils indiqués ici.

#### Outillage nécessaire

- Mètre ruban
- Petit tournevis à lame plate
- Tournevis à lame plate
- Tournevis Phillips n° 2 et n° 3
- Niveau
- Clé ou pince
- Clé à tuyauterie
- Ciseaux ou pince coupante (pour couper les attaches)
- Solution noncorrosive de détection des fuites

#### Pièces fournies

- Ensemble détendeur/tuyau de raccordement, pour gaz de pétrole liquéfié sous pression de 11" (colonne d'eau) (raccordement à la tubulure de distribution).
- Pile alcaline de 1,5 volt, format "D"

#### Pièces nécessaires

- Bouteille de propane de 20 lb

## Outillage et pièces

### Style 2 - Grils d'extérieur encastrés

Rassembler les outils et pièces nécessaires avant de commencer l'installation. Lire et suivre les instructions fournies avec les outils indiqués ici.

#### Outillage nécessaire

- Mètre ruban
- Petit tournevis à lame plate
- Tournevis à lame plate
- Tournevis Phillips n° 2 et n° 3
- Niveau
- Clé ou pince
- Clé à tuyauterie
- Ciseaux ou pince coupante (pour couper les attaches)
- Solution noncorrosive de détection des fuites

#### Pièces nécessaires

- Robinet d'arrêt de gaz manuel
- Raccord droit mâle fileté, 1/2", pour raccordement au détendeur
- Composé d'étanchéité des tuyauteries résistant à l'action du gaz propane
- Conduit de raccordement flexible pour utilisation extérieure (longueur de 4 à 5 pi (1,2 à 1,5 m), acier inoxydable, homologation CSA), ou canalisation de gaz rigide, selon le cas.

#### Pièces fournies

- Détendeur convertible pour gaz naturel sous pression de 4" (colonne d'eau)
- Ensemble transformateur de 5000 mA/prise à une broche
- Pile alcaline de 1,5 volt, format "D"

## Exigences d'emplacement

### ⚠ AVERTISSEMENT



#### Risque d'explosion

**Ne pas remiser de réservoir à carburant dans un garage ou à l'intérieur.**

**Ne pas remiser un gril avec réservoir de carburant dans un garage ou à l'intérieur.**

**Le non-respect de ces instructions peut causer un décès, une explosion ou un incendie.**

### ⚠ AVERTISSEMENT



#### Risque d'incendie

**Ne pas utiliser le gril près de matériaux combustibles.**

**Ne pas remiser de matériaux combustibles près du gril.**

**Le non-respect de ces instructions peut causer un décès ou un incendie.**

Sélectionner un emplacement où l'exposition au vent est faible et les passages peu nombreux. L'emplacement ne doit pas se trouver dans une zone à forts courants d'air.

Ne pas obstruer le flux de combustion et la ventilation.

Distance de séparation entre les constructions combustibles et les grils d'extérieur encastrés et autoportants :

- Un minimum de 24" (58 cm) doit être maintenu entre l'avant du capot, les côtés et l'arrière du gril et toute construction combustible.
- Un dégagement minimum de 24" (58 cm) doit également être maintenu sous la surface de cuisson et toute construction combustible.

#### Tournebroche (accessoire)\*

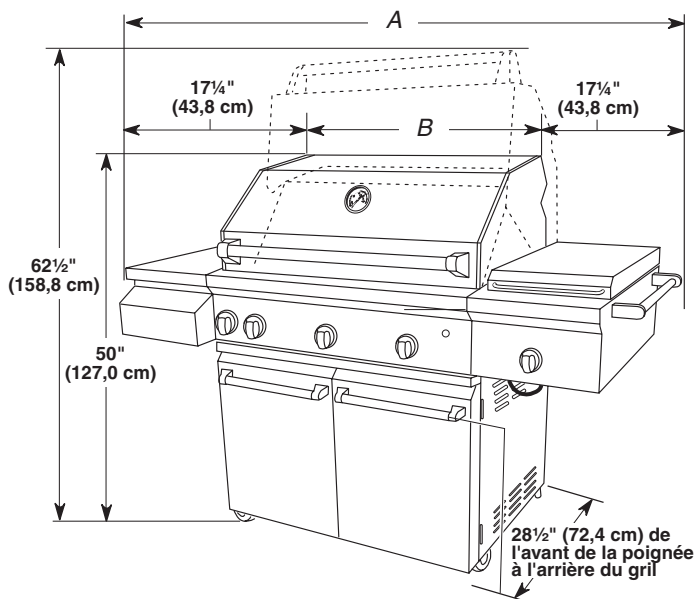
Si vous équipez votre gril d'un tournebroche, un dégagement minimum de 6" (15,2 cm) est nécessaire pour le moteur du tournebroche.

Une prise à 3 alvéoles reliée à la terre, située à gauche du gril, est nécessaire. Voir la section "Spécifications électriques".

\*Voir la section "Assistance ou service" pour commander.

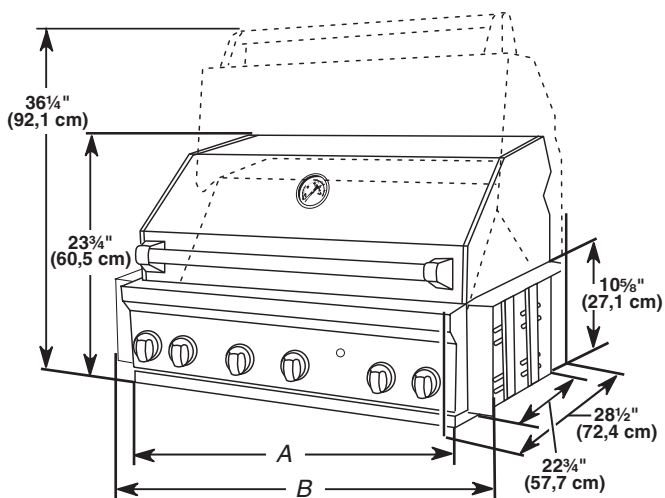
## Dimensions du produit

### Style 1 - Gril d'extérieur autoportant



- A. 61 1/2" (156,2 cm) sur les modèles de 27" (68,6 cm)  
 70 1/2" (179 cm) sur les modèles de 36" (91,4 cm)  
 B. 27" (68,6 cm)  
 36" (91,4 cm)

### Style 2 - Gril d'extérieur encastré



- A. 27" (68,6 cm)  
 36" (91,4 cm)  
 B. Modèles de 27" (68,6 cm) - 31 3/4" (80,6 cm)  
 Modèles de 36" (91,4 cm) - 40 3/4" (103,4 cm)

## Enceinte du gril d'extérieur encastré

### ⚠ AVERTISSEMENT



#### Risque d'incendie

**Ne pas installer le gril sur ou près de matériaux combustibles.**

**Le non-respect de cette instruction peut causer un décès ou un incendie.**

L'enceinte du gril d'extérieur encastré doit comporter les dimensions minimales suivantes : 11" (28,0 cm) de hauteur x 23" (58,4 cm) de profondeur x (30" [76,0 cm] pour un gril de 27" [68,6 cm] et 39" [99,0 cm] pour un gril de 36" [91,4 cm] de largeur.

Le gril d'extérieur encastré convient uniquement à l'installation dans une enceinte encastrée construite en matériaux non combustibles (brique, cloison pare-feu ou acier). Ne pas utiliser de bois ou d'autres matériaux combustibles pour l'enceinte encastrée.

## Dimensions de l'ouverture à découper dans le placard (grils d'extérieur encastrés)

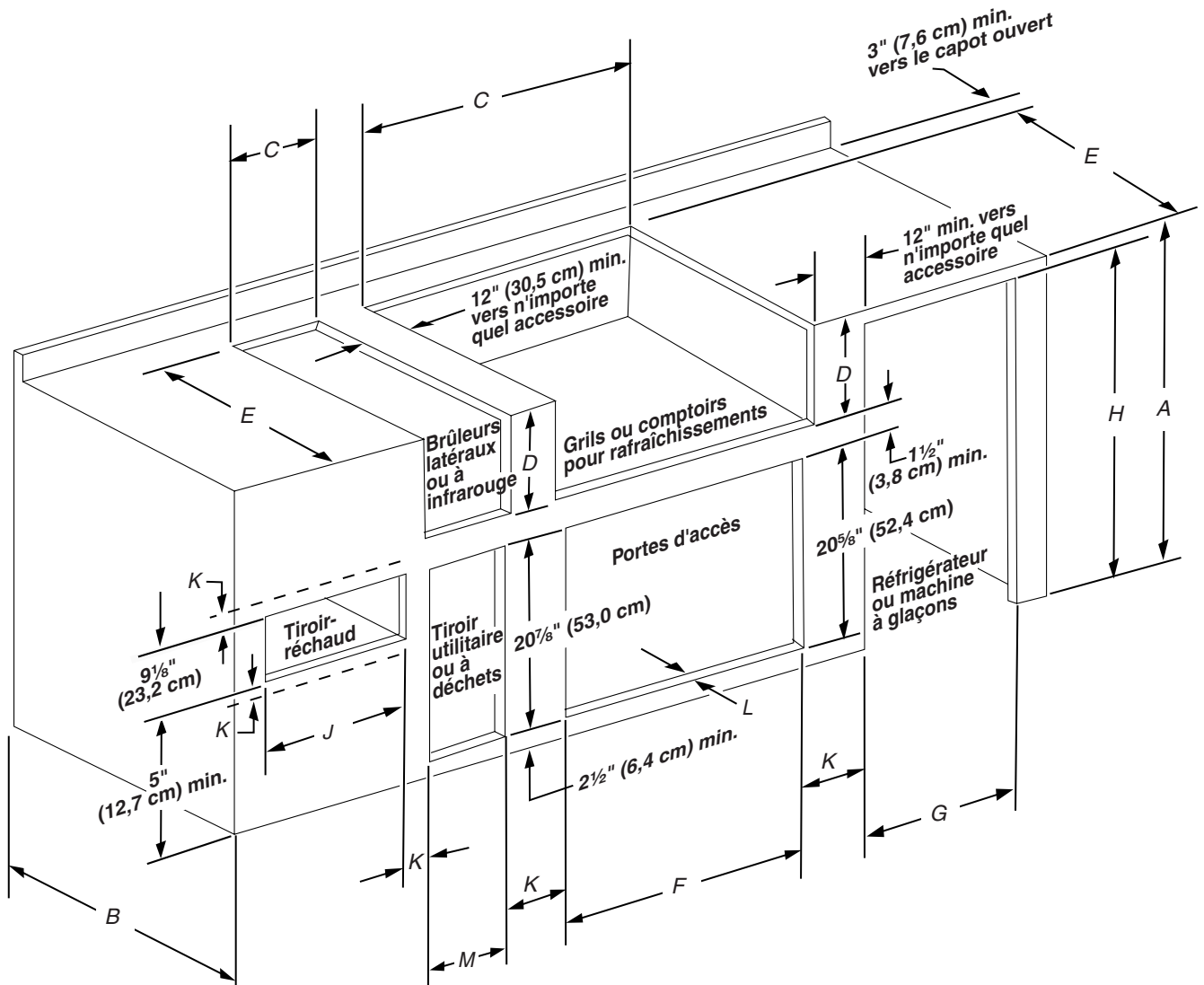
L'installation de ce gril doit être conforme aux codes locaux ou, en l'absence de tels codes, au Code national d'alimentation en gaz, ANSI Z223.1/NPFA 54, au Code des installations au gaz naturel ou au propane, CSA B149.1 ou au Code d'entreposage et de maintenance du propane, B149.2.

On peut obtenir des exemplaires des normes mentionnées à l'adresse suivante :

CSA International  
8501 East Pleasant Valley Rd.  
Cleveland, Ohio 44131-5575

**REMARQUE :** Le gril se glisse dans l'ouverture et sa partie inférieure doit être soutenue par la partie inférieure de l'ouverture du placard.

Le tableau de dimensions et l'illustration ci-dessous comprennent les dimensions de l'ouverture à découper et les valeurs minimales de dégagements de séparation pour tous les produits d'extérieur encastrés. L'illustration est à titre de référence. La conception de la disposition de votre placard peut être personnalisée, mais les dimensions pour les ouvertures à découper et les dégagements de séparation minimaux doivent être respectés.



### Valeur de dégagement de séparation minimale entre les ouvertures à découper - Dimension K

#### Entre au moins 2 portes d'accès adjacentes :

K = 14" (35,6 cm) lorsque 2 portes adjacentes sont ouvertes à 90 degrés

K = 8" (20,3 cm) lorsque l'une des portes adjacentes est ouverte à 90 degrés

#### Entre un ensemble de portes d'accès et un tiroir à déchets, un tiroir utilitaire, un tiroir-réchaud, réfrigérateur ou machine à glaçons :

K = 8" (20,3 cm) lorsque l'une des portes adjacentes est ouverte à 90 degrés

#### Entre un tiroir à déchets, un tiroir utilitaire ou un tiroir-réchaud :

K = 3" (7,6 cm)

**Dimensions de hauteur et profondeur pour le placard**

	<b>Dimension A Minimum</b>	<b>Dimension B Minimum</b>
Avec réfrigérateur d'extérieur	37" (94,0 cm)	26" (66,0 cm)
Gril avec housse d'isolation	36½" (92,7 cm)	27" (68,6 cm)
Gril sans housse d'isolation	35½" (90,2 cm)	26" (66 cm)

**Dimensions de l'ouverture à découper - Gril encastré**

<b>Taille du gril</b>	<b>Dimension C</b>	<b>Dimension D</b>	<b>Dimension E</b>
27" (68,6 cm)	29⅝" (75,2 cm)	10¾" (27,3 cm)	22⅞" (58,1 cm)
36" (91,4 cm)	38⅝" (98,1 cm)	10¾" (27,3 cm)	22⅞" (58,1 cm)
48" (121,9 cm)	50⅝" (128,6 cm)	10¾" (27,3 cm)	22⅞" (58,1 cm)

**Dimensions de l'ouverture à découper - Gril encastré avec housse d'isolation**

<b>Taille du gril</b>	<b>Dimension C</b>	<b>Dimension D</b>	<b>Dimension E</b>
27" (68,6 cm)	33" (83,8 cm)	11¾" (29,8 cm)	24" (61,0 cm)
36" (91,4 cm)	42" (106,7 cm)	11¾" (29,8 cm)	24" (61,0 cm)
48" (121,9 cm)	54" (137,2 cm)	11¾" (29,8 cm)	24" (61,0 cm)

**Dimensions de l'ouverture à découper - Brûleur latéral encastré**

<b>Position du brûleur</b>	<b>Dimension C</b>	<b>Dimension D</b>	<b>Dimension E</b>
De l'avant vers l'arrière	13½" (34,3 cm)	10¾" (27,3 cm)	22⅝" (57,5 cm)
Côte à côte	24½" (62,2 cm)	10¾" (27,3 cm)	16⅞" (42,9 cm)

**Dimensions de l'ouverture à découper - Brûleur à infrarouge encastré**

	<b>Dimension C</b>	<b>Dimension D</b>	<b>Dimension E</b>
	13½" (34,3 cm)	10⅝" (27,0 cm)	22⅞" (57,6 cm)

**Dimensions de l'ouverture à découper - Comptoir pour rafraîchissements encastré**

	<b>Dimension C</b>	<b>Dimension D</b>	<b>Dimension E</b>
	30½" (77,5 cm)	10¾" (27,3 cm)	23" (58,4 cm)

**Dimensions de l'ouverture à découper - Portes d'accès encastrées**

<b>Taille de la porte</b>	<b>Dimension F</b>	<b>Dimension L*</b>
18" (45,7 cm)	16⅜" (41,1 cm)	1½" (3,8 cm)
27" (68,6 cm)	25⅝" (63,8 cm)	1½" (3,8 cm)
30" (76,2 cm)	28⅝" (71,4 cm)	1½" (3,8 cm)
36" (91,4 cm)	34⅝" (86,7 cm)	1½" (3,8 cm)
48" (121,9 cm)	46⅝" (117,2 cm)	1½" (3,8 cm)

\*La dimension L représente la zone de surface de montage minimale autour de l'ouverture pour le montage de la porte ou des tiroirs facultatifs.

### Dimensions de l'ouverture à découper - Réfrigérateur d'extérieur

Dimension G	Dimension H
24" (61,0 cm)	35¼" (89,5 cm)

### Dimensions de l'ouverture à découper - Machine à glaçons d'extérieur

Dimension G	Dimension H
18" (45,7 cm)	34" (86,4 cm) min. à 34½" (87,6 cm) max.

### Dimensions de l'ouverture à découper - Tiroir-réchaud encastré

Taille du tiroir-réchaud	Dimension J
24" (61 cm)	22½" (57,2 cm)

### Dimensions de l'ouverture à découper - Tiroir utilitaire encastré ou tiroir à déchets encastré

Dimension M	Dimension L*
12¼" (31,1 cm)	1½" (3,8 cm)

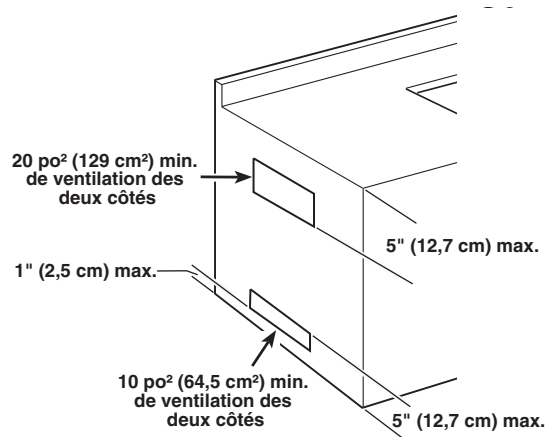
\*La dimension L représente la zone de surface de montage minimale autour de l'ouverture pour le montage de la porte ou des tiroirs facultatifs.

### Ventilation de l'enceinte du gril d'extérieur encastré - alimentation au propane :

L'enceinte pour la bouteille de gaz propane doit être ventilée au niveau des ouvertures supérieures et inférieures de l'enceinte.

#### En cas de conversion pour utilisation du propane, ces ouvertures d'aération doivent se trouver dans l'enceinte :

L'enceinte pour utilisation avec une bouteille de gaz pour installation encastrée doit comporter au moins une ouverture d'aération sur le côté extérieur exposé. L'ouverture d'aération doit être située à 5" (12,7 cm) maximum de la partie supérieure et doit être de 20 po<sup>2</sup> (129 cm<sup>2</sup>) minimum. Une ouverture d'aération située à 1" (2,5 cm) max. de la partie inférieure de l'enceinte avec partie inférieure de l'ouverture de 10 po<sup>2</sup> (64,5 cm<sup>2</sup>) minimum. Aucune ouverture d'aération ne doit être obstruée. Chaque ouverture doit comporter une largeur de ⅛" (0,32 cm) minimum.



## Spécifications électriques

### ⚠ AVERTISSEMENT



#### Risque de choc électrique

Brancher sur une prise à 3 alvéoles reliée à la terre.

Ne pas enlever la broche de liaison à la terre.

Ne pas utiliser un adaptateur.

Ne pas utiliser un câble de rallonge.

Le non-respect de ces instructions peut causer un décès, un incendie ou un choc électrique.

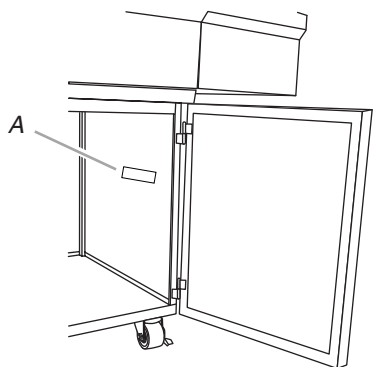
Si les codes le permettent et si on utilise un conducteur distinct de liaison à la terre, il est recommandé qu'un électricien qualifié vérifie la qualité de la liaison à la terre.

Consulter un électricien qualifié en cas de doute sur la qualité de la liaison à la terre du gril.

L'appareil doit être alimenté par un circuit de 120 V, CA seulement, 60 Hz, 15 ampères, protégé par fusible.

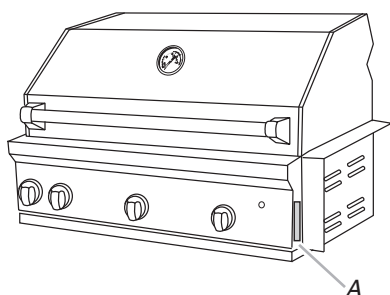
Il est recommandé de raccorder le gril sur un circuit distinct exclusif à cet appareil.

Sur les modèles autoportants, la plaque signalétique des numéros de modèle et de série est située à l'intérieur de la caisse du gril sur le côté droit. Voir l'illustration ci-dessous.



A. Plaque signalétique des numéros de modèle et de série

Sur les modèles encastrés, la plaque signalétique des numéros de modèle et de série est située sur le côté droit du gril. Voir l'illustration ci-dessous.



A. Plaque signalétique des numéros de modèle et de série

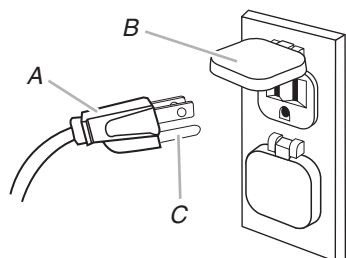
### Méthode recommandée de mise à la terre

Le gril d'extérieur, une fois installé, doit être correctement relié à la terre conformément aux codes locaux en vigueur ou, en l'absence de tels codes, avec le National Electrical Code, ANSI/NFPA 70 ou le Code canadien de l'électricité, CSA C22.1.

On peut obtenir des exemplaires des normes mentionnées ci-dessus aux adresses suivantes :

CSA International  
8501 East Pleasant Valley Rd.  
Cleveland, Ohio 44131-5575

National Fire Protection Association  
One Batterymarch Park  
Quincy, Massachusetts 02269



A. Prise à 3 broches reliée à la terre  
B. Prise murale polarisée d'extérieur à 3 alvéoles  
C. Broche de liaison à la terre

## Spécifications de l'alimentation en gaz

### ⚠ AVERTISSEMENT



#### Risque d'explosion

**Utiliser une canalisation neuve d'arrivée de gaz pour utilisation à l'extérieur approuvée par la CSA International.**

**Bien serrer chaque organe de connexion de la canalisation de gaz.**

**En cas de connexion au gaz propane, demander à une personne qualifiée de s'assurer que la pression de gaz ne dépasse pas 11 po (28 cm) de la colonne d'eau.**

**Par personne qualifiée, on comprend :**

**le personnel autorisé de chauffage,  
le personnel autorisé d'une compagnie de gaz, et  
le personnel d'entretien autorisé.**

**Le non-respect de ces instructions peut causer un décès, une explosion ou un incendie.**

Observer les dispositions de tous les codes et règlements en vigueur.

**IMPORTANT :** L'installation doit satisfaire aux critères de tous les codes et règlements locaux. En l'absence de code local, l'installation doit satisfaire aux prescriptions de la plus récente édition du code national en vigueur : National Fuel Gas Code ANSI Z223.1 ou CAN/CGA B149.1.

**IMPORTANT :** Le gril doit être raccordé à une source d'alimentation en gaz régulée.

Le type de gaz utilisable est indiqué sur la plaque signalétique de l'appareil; si celui-ci ne correspond pas au type de gaz disponible, consulter le fournisseur de gaz local.

#### Conversion pour changement de gaz :

Ne pas entreprendre de convertir le gril pour l'utilisation d'un gaz différent de celui indiqué sur la plaque signalétique sans d'abord consulter le fournisseur de gaz. Dans un tel cas on doit utiliser l'ensemble de conversion spécifié.

### Détendeur

Le détendeur fourni avec ce gril doit être utilisé. Pour un fonctionnement correct, la pression à l'entrée (alimentation) du détendeur doit être comme suit :

#### Gaz propane :

Pression de service : 11" (27,9 cm) (colonne d'eau)

Pression à l'entrée (alimentation) : 11" à 14" (27,9 cm à 35,5 cm) (colonne d'eau)

#### Gaz naturel :

Pression de service : 4" (10,2 cm) (colonne d'eau)

Pression de service (alimentation) : 7" à 14" (17,8 cm à 35,5 cm) (colonne d'eau) maximum.

En cas d'incertitude quant à la pression à l'entrée (alimentation), contacter le fournisseur de gaz local.

## Puissance thermique des brûleurs en altitude

Les débits thermiques indiqués sur la plaque signalétique correspondent à une altitude d'utilisation inférieure à 2 000 pi (609,6 m).

Lorsque l'appareil est utilisé à une altitude supérieure à 2 000 pi (609,6 m), on doit réduire le débit thermique indiqué de 4 % pour chaque tranche de 1 000 pi (304,8 m) au-dessus du niveau de la mer. Le remplacement du gicleur du brûleur peut être nécessaire. Voir la section "Assistance ou service" pour commander.

## Test de pressurisation de la canalisation de gaz

### Test de pressurisation à une pression relative supérieure à ½ lb/po<sup>2</sup> (3,5 kPa) ou 14" (35,5 cm) (colonne d'eau) :

Pour tout test de pressurisation du système à une pression supérieure à ½ lb/po<sup>2</sup> (3,5 kPa), on doit déconnecter le gril et son robinet d'arrêt de la canalisation à pressuriser.

### Test de pressurisation à une pression relative inférieure à ½ lb/po<sup>2</sup> (3,5 kPa) ou 14" (35,5 cm) (colonne d'eau) :

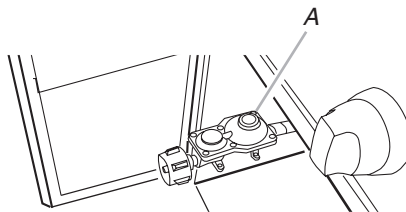
Le gril devra être isolé de la canalisation de gaz par la fermeture du robinet d'arrêt manuel individuel durant tout test de pressurisation de la canalisation de gaz à une pression égale ou inférieure à ½ lb/po<sup>2</sup> (3,5 kPa).

## Exigences concernant le raccordement au gaz Style 1 - Grils d'extérieur autoportants

### Alimentation par bouteille de propane

Le gril est configuré pour l'alimentation à l'aide d'une bouteille de propane de 20 lb (non fournie). L'ensemble détendeur/tuyau de raccordement est fourni.

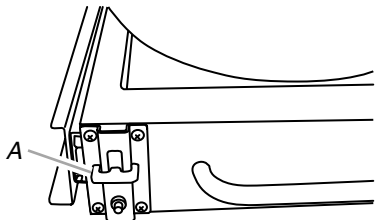
La conception de l'appareil est homologuée par CSA International pour l'alimentation au propane, ou pour l'alimentation au gaz naturel après conversion appropriée.



A. Ensemble détendeur/tuyau de raccordement

La bouteille de gaz propane de 20 lb doit être montée et immobilisée.

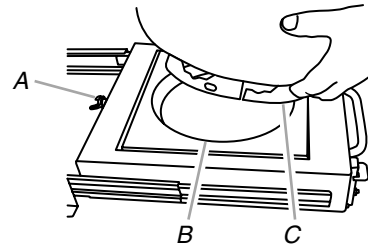
1. Ouvrir les portes du placard.
2. Appuyer sur la patte de blocage du chariot d'installation de la bouteille et extraire le chariot.



A. Patte de blocage du chariot

3. Placer la bouteille de propane de 20 lb sur le chariot (collerette inférieure de la bouteille dans l'orifice du chariot).

4. Serrer la vis de blocage contre la collerette inférieure de la bouteille de 20 lb pour l'immobiliser.

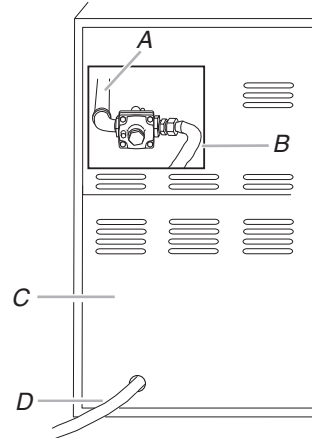


A. Vis de blocage  
B. Trou pour montage  
C. Collerette inférieure de la bouteille

5. Réinsérer le chariot dans le placard; fermer et verrouiller les portes.

### Alimentation au propane par canalisation locale

**IMPORTANT :** Le circuit de distribution de gaz doit être conforme aux prescriptions des codes locaux ou, en l'absence de code local, aux prescriptions de l'édition la plus récente du National Fuel Gas Code, ANSI Z223.1/NFPA 54. Un technicien qualifié doit installer la canalisation d'arrivée de propane jusqu'à l'emplacement d'installation du gril, en conformité avec les prescriptions des codes locaux et du National Fuel Gas Code, ANSI Z223.1/NFPA 54.



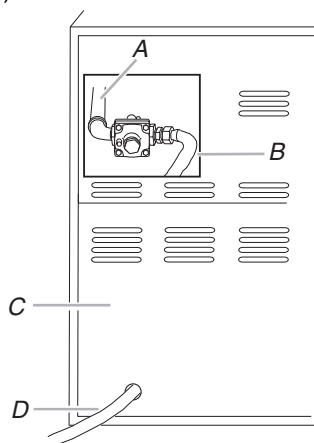
A. Tuyau d'admission de gaz du gril  
B. Tuyau gris neuf certifié ANSI Z21.54  
C. Arrière du gril  
D. Vers canalisation de propane locale

### Conversion pour l'alimentation au gaz naturel

L'opération de conversion doit être exécutée par un technicien qualifié. Le technicien qualifié doit installer la canalisation de gaz naturel jusqu'à l'emplacement choisi pour l'installation du gril, en conformité avec les prescriptions de la plus récente édition du National Fuel Gas Code ANSI Z223.1/NFPA 54 et des codes locaux. Pour l'alimentation au gaz naturel, on doit utiliser l'ensemble de conversion pour gaz naturel.

**IMPORTANT :** Le circuit de distribution de gaz doit être conforme aux prescriptions des codes locaux ou, en l'absence de code local, aux prescriptions de l'édition la plus récente du National Fuel Gas Code, ANSI Z223.1/NFPA 54.

Pour la conversion pour l'alimentation au gaz naturel, on doit utiliser l'ensemble de conversion pour gaz naturel (pièce n° W10118098). Suivre les instructions fournies avec l'ensemble.



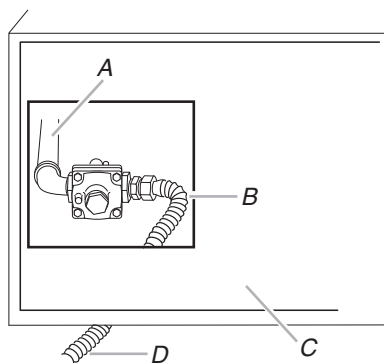
- A. Tuyau d'admission de gaz du gril
- B. Tuyau gris neuf certifié ANSI Z21.54
- C. Arrière du gril
- D. Vers canalisation locale de gaz naturel

## Exigences concernant le raccordement au gaz Style 2 - Grils d'extérieur encastrés

### Gaz naturel

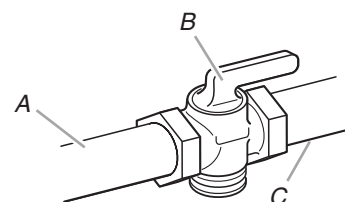
Les grils encastrés sont configurés pour l'alimentation au gaz naturel. Leur conception est homologuée par CSA International pour l'alimentation au gaz de pétrole liquéfié (propane ou butane), après conversion appropriée.

Les grils encastrés sont configurés pour l'alimentation au gaz naturel; ils comportent un détendeur avec un raccord à filetage femelle à 1/2".



- A. Tuyau d'admission de gaz du gril
- B. Conduit de raccordement flexible neuf, pour l'utilisation à l'extérieur (homologation CSA International)
- C. Arrière du gril
- D. Vers canalisation locale de gaz naturel

La canalisation d'alimentation doit comporter un robinet d'arrêt approuvé. Le robinet d'arrêt doit être installé au voisinage du gril et être facilement accessible pour les manœuvres d'ouverture/fermeture. Ne pas entraver l'accès au robinet d'arrêt. Le robinet d'arrêt contrôle l'alimentation en gaz du gril.

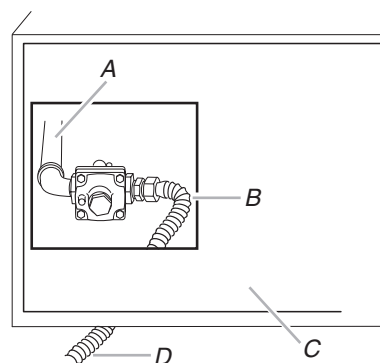


- A. Canalisation de gaz
- B. Robinet d'arrêt - position d'ouverture
- C. Vers le gril

### Conversion pour l'alimentation au propane (source de propane locale)

L'opération de conversion doit être exécutée par un technicien qualifié. Le technicien qualifié doit installer la canalisation de propane jusqu'à l'emplacement choisi pour l'installation du gril, en conformité avec les prescriptions de la plus récente édition du National Fuel Gas Code ANSI Z223.1/NFPA 54 et des codes locaux.

Pour l'alimentation au propane, on doit utiliser l'ensemble de conversion pour propane (pièce n° W10118099). Suivre les instructions fournies avec l'ensemble.



- A. Tuyau d'admission de gaz du gril
- B. Conduit de raccordement flexible neuf, pour l'utilisation à l'extérieur (homologation CSA International)
- C. Arrière du gril
- D. Vers canalisation de gaz locale

### Conversion pour l'alimentation au propane (bouteille de propane de 20 lb)

Pour l'alimentation au propane, on doit utiliser l'ensemble de conversion pour propane (pièce n° W10118099). Suivre les instructions fournies avec l'ensemble. On doit disposer d'une bouteille de propane de 20 lb (acquisition séparée).

# INSTRUCTIONS D'INSTALLATION

## Style 1 - Installation du gril d'extérieur autoportant

### **⚠ AVERTISSEMENT**

#### Risque du poids excessif

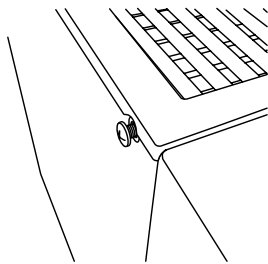
Utiliser deux ou plus de personnes pour déplacer et installer le gril.

Le non-respect de cette instruction peut causer une blessure au dos ou d'autre blessure.

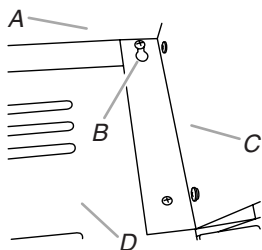
1. Déballez le gril. Enlever tous les matériaux d'emballage et retirer le gril de la palette de bois.
2. Déplacer le gril jusqu'à l'emplacement d'installation désiré à l'extérieur.
3. Ouvrir le capot.

#### Installation de l'étagère latérale (sur certains modèles)

4. Ouvrir les portes du placard au-dessous du gril, et retirer l'emballage de l'étagère. Déballez l'étagère latérale.
5. Trouver les 4 vis. Placer une vis dans chacun des 2 trous supérieurs de chaque côté du gril. Laisser les vis dépasser d'environ 1/4" (0,64 cm) sur le côté du gril.



6. Installer l'étagère latérale sur le côté gauche du gril. Positionner l'étagère latérale pour engager sur les vis l'extrémité large des trous allongés. Placer l'étagère sur les 2 vis de montage; laisser descendre un peu l'étagère pour que l'extrémité étroite des trous allongés s'engage sur les vis.

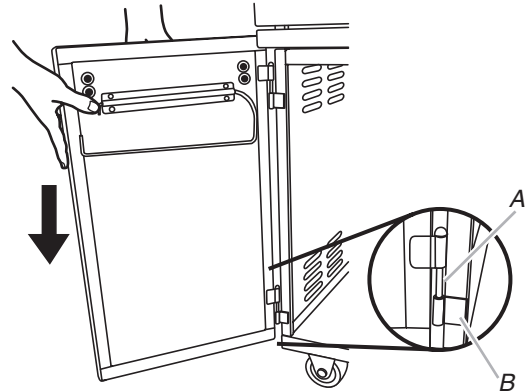


A. Sommet de l'étagère latérale  
B. Trou allongé pour montage  
C. Avant de l'étagère latérale  
D. Côté du gril

7. Installer les 2 vis du bas; serrer les vis.
8. Serrer les 2 vis supérieures.

#### Installation des portes du placard (sur certains modèles)

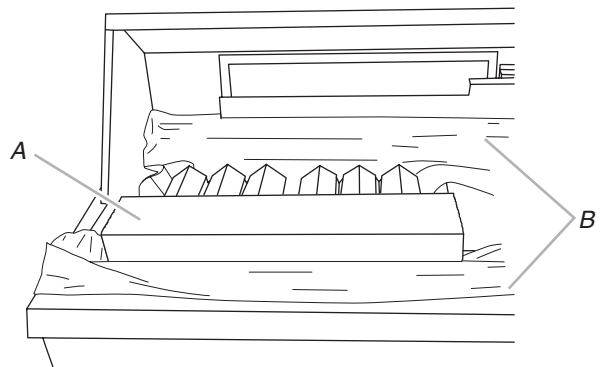
1. Enlever l'emballage de mousse des 2 portes du placard.
2. Positionner les broches de charnière de la porte près de la partie correspondante des charnières sur le placard. Faire pénétrer doucement chaque broche dans l'autre partie de chaque charnière pour la mise en place.



A. Broche de charnière sur la porte  
B. Partie de la charnière fixée au placard

#### Élimination des matériaux d'emballage à l'intérieur du gril

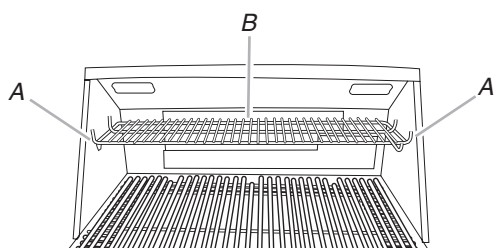
1. Couper les attaches qui fixent les grilles ensemble.
2. Retirer de l'intérieur du gril l'étagère à condiments, le plateau de réchauffage et les grilles du gril; enlever les matériaux d'emballage.
3. Retirer le bloc de mousse et les matériaux d'emballage de l'intérieur du gril.



A. Bloc de mousse  
B. Matériau d'emballage de mousse

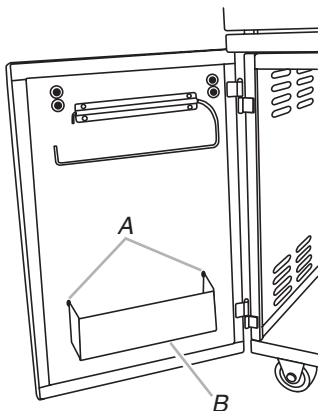
4. Réinstaller les grilles du gril.

- Placer le plateau de réchauffage sur ses supports - voir l'illustration.



A. Supports du plateau de réchauffage  
B. Plateau de réchauffage

- Fixer le compartiment à condiments à l'intérieur de la porte de gauche du placard.



A. Trous pour montage  
B. Compartiment à condiments

- Jeter/recycler tous les matériaux d'emballage.

## Raccordement au gaz

### **⚠ AVERTISSEMENT**



#### Risque d'explosion

**Bien serrer chaque organe de connexion de la canalisation de gaz.**

**En cas de connexion au gaz propane, demander à une personne qualifiée de s'assurer que la pression de gaz ne dépasse pas 11 po (28 cm) de la colonne d'eau.**

**Par personne qualifiée, on comprend :**

**le personnel autorisé de chauffage,  
le personnel autorisé d'une compagnie de gaz, et  
le personnel d'entretien autorisé.**

**Le non-respect de ces instructions peut causer un décès, une explosion ou un incendie.**

Pour la conversion pour l'alimentation au gaz naturel, voir les exigences à satisfaire à la section "Exigences concernant le raccordement au gaz". Suivre les instructions fournies avec l'ensemble.

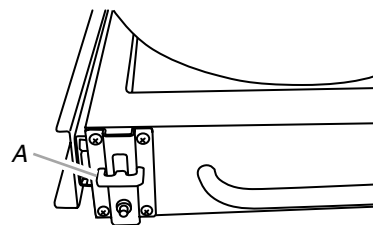
### Gaz propane :

**IMPORTANT :** On doit disposer d'une bouteille de propane de 20 lb (acquisition séparée).

**IMPORTANT :** Il est nécessaire d'utiliser l'ensemble détendeur/tuyau de raccordement fourni avec le gril. Si un remplacement est nécessaire, pour la commande des pièces spécifiques au gril utilisé, contacter le marchand qui a vendu l'appareil.

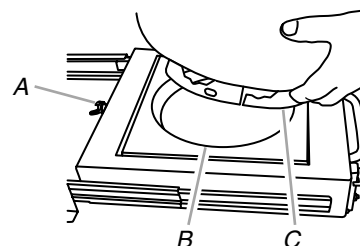
#### Installation de la bouteille de propane de 20 lb :

- Ouvrir les portes du placard.
- Appuyer sur la patte de blocage du chariot d'installation de la bouteille et extraire le chariot.



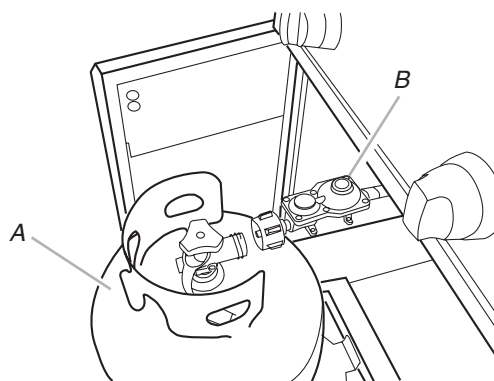
A. Patte de blocage du chariot

- Placer la bouteille de propane de 20 lb sur le chariot (collerette inférieure de la bouteille dans l'orifice du chariot).
- Serrer la vis de blocage contre la collerette inférieure de la bouteille de 20 lb pour l'immobiliser.



A. Vis de blocage  
B. Trou pour montage  
C. Collerette inférieure de la bouteille

- Visser l'ensemble détendeur/tuyau de raccordement sur la bouteille de propane de 20 lb - voir l'illustration.



A. Bouteille de propane de 20 lb  
B. Ensemble détendeur/tuyau de raccordement

- Ouvrir le robinet de la bouteille de propane. Attendre quelques minutes pour que le gaz atteigne et remplisse la tubulure de distribution sur le gril.
- Vérifier tous les raccordements en badigeonnant d'une solution de détection des fuites non corrosive approuvée. L'apparition de bulles indique une fuite. Réparer toute fuite éventuelle.
- Réinsérer le chariot dans le placard et le fixer pour le mettre en place.

9. La pile de l'allumeur n'est pas installée à l'usine. Une pile alcaline de 1,5 volt (format "D") est fournie (dans la boîte d'accessoires sur la grille du gril). Installer la pile; exécuter les instructions présentées à la section "Remplacement de la pile de l'allumeur".
10. Passer à la section "Contrôle et réglage des brûleurs".

### Alimentation au gaz naturel (après conversion)

## **⚠ AVERTISSEMENT**



### Risque d'explosion

**Utiliser une canalisation neuve d'arrivée de gaz pour utilisation à l'extérieur approuvée par la CSA International.**

**Bien serrer chaque organe de connexion de la canalisation de gaz.**

**Le non-respect de ces instructions peut causer un décès, une explosion ou un incendie.**

L'installation doit satisfaire aux critères des codes et règlements locaux. En l'absence de code local, l'installation doit être conforme aux critères du National Fuel Gas Code ANSI Z223.1, ou de la norme CAN/CGA-B149.1 Code des installations pour gaz naturel ou propane.

On peut obtenir des exemplaires des normes mentionnées ci-dessus aux adresses suivantes :

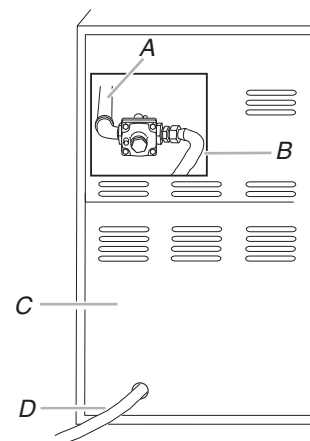
CSA International  
8501 East Pleasant Valley Rd.  
Cleveland, Ohio 44131-5575

National Fire Protection Association  
One Batterymarch Park  
Quincy, Massachusetts 02269

1. Réaliser les raccordements de la canalisation de gaz.  
On doit employer une combinaison de raccords pour raccorder le gril à la canalisation de gaz existante.

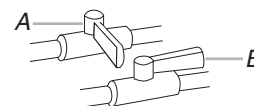
- Si le code local le permet, pour le raccordement du gril à la canalisation de gaz rigide, utiliser un conduit de raccordement flexible en acier inoxydable, homologué par CSA International pour l'utilisation à l'extérieur. On recommande l'emploi d'une canalisation de diamètre 5/8". À l'aide d'une clé pour serrer, raccorder l'alimentation en gaz au gril. Utiliser un composé d'étanchéité des tuyauteries sur tous les filets mâles non évasés. Veiller à ne pas écraser/déformer/endommager le conduit de raccordement flexible lors d'un déplacement du gril.

- Pour l'étanchéité des jointures, utiliser un composé d'étanchéité pour tuyauterie compatible avec le gaz naturel. Ne pas utiliser de ruban adhésif TEFLON<sup>®†</sup>.



A. Tuyau d'admission de gaz du gril  
B. Tuyau gris neuf certifié ANSI Z21.54  
C. Arrière du gril  
D. Vers canalisation locale de gaz naturel

2. Ouvrir le robinet d'arrêt manuel sur la canalisation de gaz. Le robinet est ouvert lorsque la manette est parallèle à la canalisation de gaz.



A. Robinet fermé  
B. Robinet ouvert

3. Vérifier tous les raccordements en les badigeonnant d'une solution de détection des fuites non corrosive approuvée. L'apparition de bulles indique une fuite. Réparer toute fuite éventuelle.
4. La pile de l'allumeur n'est pas installée à l'usine. Une pile alcaline de 1,5 volt (format "D") est fournie (dans la boîte d'accessoires sur la grille du gril). Installer la pile; exécuter les instructions présentées à la section "Remplacement de la pile de l'allumeur".
5. Passer à la section "Contrôle et réglage des brûleurs".

### Branchement du gril

## **⚠ AVERTISSEMENT**



### Risque de choc électrique

**Brancher sur une prise à 3 alvéoles reliée à la terre.**

**Ne pas enlever la broche de liaison à la terre.**

**Ne pas utiliser un adaptateur.**

**Ne pas utiliser un câble de rallonge.**

**Le non-respect de ces instructions peut causer un décès, un incendie ou un choc électrique.**

1. Brancher sur une prise à 3 alvéoles reliée à la terre.

†®TEFLON est une marque déposée de E.I. Du Pont De Nemours et Compagnie.

## Style 2 - Installation du gril d'extérieur encastré

### **⚠ AVERTISSEMENT**

#### Risque du poids excessif

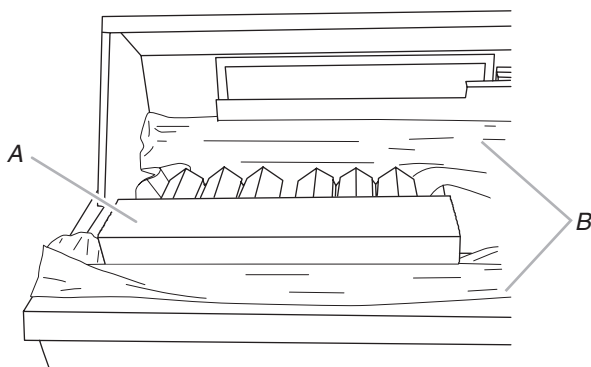
Utiliser deux ou plus de personnes pour déplacer et installer le gril.

Le non-respect de cette instruction peut causer une blessure au dos ou d'autre blessure.

- Déballez le gril. Enlever tous les matériaux d'emballage et retirer le gril de son emballage.
- Déplacer le gril à proximité de l'emplacement d'installation désiré à l'extérieur.
- Ouvrir le capot.

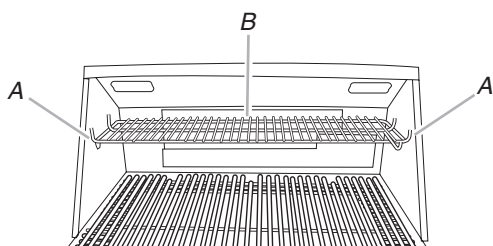
#### Élimination des matériaux d'emballage à l'intérieur du gril

1. Couper les attaches qui fixent les grilles ensemble.
2. Retirer de l'intérieur du gril la broche du tournebroche (sur certains modèles), le plateau de réchauffage et les grilles du gril; enlever les matériaux d'emballage.
3. Retirer le bloc de mousse et les matériaux d'emballage de l'intérieur du gril.



A. Bloc de mousse  
B. Matériau d'emballage de mousse

4. Réinstaller les grilles du gril.
5. Placer le plateau de réchauffage sur ses supports - voir l'illustration.



A. Supports du plateau de réchauffage  
B. Plateau de réchauffage

6. Jeter/recycler tous les matériaux d'emballage.

### Raccordement au gaz

**REMARQUE :** Si le gril a été converti pour l'alimentation au propane, exécuter les instructions présentées dans "Conversion pour l'alimentation au propane", à la fin de cette section.

### **⚠ AVERTISSEMENT**



#### Risque d'incendie

Ne pas utiliser le gril près de matériaux combustibles.

Ne pas remiser de matériaux combustibles près du gril.

Le non-respect de ces instructions peut causer un décès ou un incendie.

#### Alimentation au gaz naturel

L'installation doit satisfaire aux critères des codes et règlements locaux. En l'absence de code local, l'installation doit être conforme aux critères de la plus récente édition du National Fuel Gas Code ANSI Z223.1, ou de la norme CAN/CGA-B149.1 Code des installations pour gaz naturel ou propane.

1. Placer le gril dans son enceinte d'installation à l'extérieur, mais laisser suffisamment d'espace à l'arrière pour le raccordement à la source de gaz et le branchement du câble sur la prise de courant électrique.

### **⚠ AVERTISSEMENT**



#### Risque d'explosion

Utiliser une canalisation neuve d'arrivée de gaz pour utilisation à l'extérieur approuvée par la CSA International.

Bien serrer chaque organe de connexion de la canalisation de gaz.

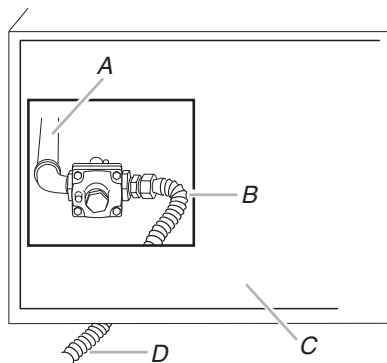
Le non-respect de ces instructions peut causer un décès, une explosion ou un incendie.

2. Réaliser les raccordements de la canalisation de gaz.

On doit employer une combinaison de raccords pour raccorder le gril à la canalisation de gaz existante.

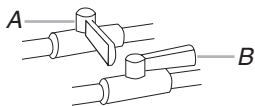
- Si le code local le permet, pour le raccordement du gril à la canalisation de gaz rigide, utiliser un conduit de raccordement flexible en acier inoxydable, homologué par CSA International pour l'utilisation à l'extérieur. On recommande l'emploi d'une canalisation de diamètre 5/8". À l'aide d'une clé pour serrer, raccorder l'alimentation en gaz au gril. Utiliser un composé d'étanchéité des tuyauteries sur tous les filets mâles non évasés. Veiller à ne pas écraser/déformer/endommager le conduit de raccordement flexible lors d'un déplacement du gril.

- Pour l'étanchéité des jointures, utiliser un composé d'étanchéité pour tuyauterie compatible avec le gaz naturel. Ne pas utiliser de ruban adhésif Teflon®.



- A. Tuyau d'admission de gaz du grill  
 B. Conduit de raccordement flexible neuf, pour l'utilisation à l'extérieur (homologation CSA International)  
 C. Arrière du grill  
 D. Vers canalisation locale de gaz naturel

3. Ouvrir le robinet d'arrêt manuel sur la canalisation de gaz. Le robinet est ouvert lorsque la manette est parallèle à la canalisation.

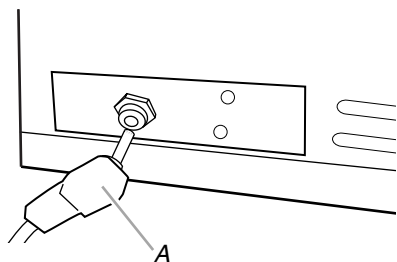


- A. Robinet fermé  
 B. Robinet ouvert

4. Vérifier tous les raccordements en les badigeonnant d'une solution de détection des fuites non corrosive approuvée. L'apparition de bulles indique une fuite. Réparer toute fuite éventuelle.

## Branchement du grill

1. Ce grill d'extérieur encastré est fourni avec un transformateur de 5000 mA pour l'alimentation des lampes. Brancher la prise à une broche dans la prise située sur la partie intérieure gauche du grill.



- A. Prise à une broche

## ⚠ AVERTISSEMENT



### Risque de choc électrique

- Brancher sur une prise à 3 alvéoles reliée à la terre.
- Ne pas enlever la broche de liaison à la terre.
- Ne pas utiliser un adaptateur.
- Ne pas utiliser un câble de rallonge.
- Le non-respect de ces instructions peut causer un décès, un incendie ou un choc électrique.

2. Brancher sur une prise d'extérieur à 3 alvéoles reliée à la terre.
3. La pile de l'allumeur n'est pas installée à l'usine. Une pile alcaline de 1,5 volt (format "D") est fournie (dans la boîte d'accessoires sur la grille du grill). Installer la pile; exécuter les instructions présentées à la section "Remplacement de la pile de l'allumeur".
4. Faire glisser doucement le grill jusqu'à sa position finale dans l'enceinte d'encastrement.
5. Passer à la section "Contrôle et réglage des brûleurs".

# ⚠ AVERTISSEMENT



### Risque d'explosion

Utiliser une canalisation neuve d'arrivée de gaz pour utilisation à l'extérieur approuvée par la CSA International.

Bien serrer chaque organe de connexion de la canalisation de gaz.

En cas de connexion au gaz propane, demander à une personne qualifiée de s'assurer que la pression de gaz ne dépasse pas 11 po (28 cm) de la colonne d'eau.

Par personne qualifiée, on comprend :

le personnel autorisé de chauffage,  
le personnel autorisé d'une compagnie de gaz, et  
le personnel d'entretien autorisé.

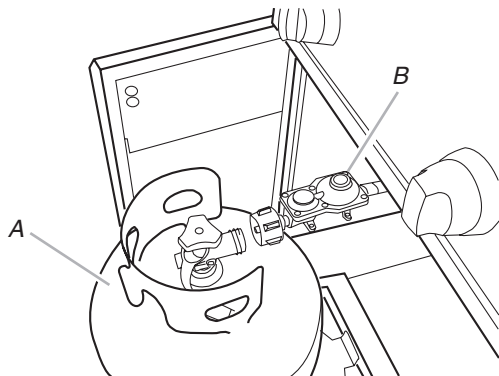
Le non-respect de ces instructions peut causer un décès, une explosion ou un incendie.

**IMPORTANT :** On doit disposer d'une bouteille de propane de 20 lb (acquisition séparée).

**IMPORTANT :** Il est nécessaire d'utiliser l'ensemble détendeur/tuyau de raccordement fourni avec l'ensemble de conversion. Si un remplacement est nécessaire, pour la commande des pièces spécifiques au gril utilisé, contacter le marchand qui a vendu l'appareil.

### Installation de la bouteille de propane de 20 lb :

1. Installer la bouteille de propane de 20 lb dans le compartiment au-dessous du gril.
2. Visser l'ensemble détendeur/tuyau de raccordement sur la bouteille de propane de 20 lb - voir l'illustration.



A. Bouteille de propane de 20 lb  
B. Ensemble détendeur/tuyau de raccordement

3. Ouvrir le robinet de la bouteille de propane. Attendre quelques minutes pour que le gaz atteigne et remplisse la tubulure de distribution sur le gril.
4. Vérifier tous les raccords en les badigeonnant d'une solution de détection des fuites non corrosive approuvée. L'apparition de bulles indique une fuite. Réparer toute fuite éventuelle.
5. La pile de l'allumeur n'est pas installée à l'usine. Une pile alcaline de 1,5 volt (format "D") est fournie (dans la boîte d'accessoires sur la grille du gril). Installer la pile; exécuter les instructions présentées à la section "Remplacement de la pile de l'allumeur".
6. Passer à la section "Contrôle et réglage des brûleurs".

## Contrôle et réglage des brûleurs

Les brûleurs ont été testés et réglés à l'usine pour un fonctionnement efficace. Cependant de légères modifications du réglage de l'admission d'air et du débit thermique minimum peuvent être nécessaires du fait de variations de la pression de distribution du gaz disponible et d'autres conditions.

On recommande que tout réglage des brûleurs soit exécuté par une personne qualifiée.

**REMARQUE :** Il n'est pas possible de modifier le réglage du brûleur du tournebroche.

Pour contrôler et régler les flammes sur les brûleurs du gril, on doit enlever la grille et les plaques associées au brûleur à infrarouge.

## Caractéristiques des flammes sur les brûleurs

Les flammes sur les brûleurs du gril et brûleurs latéraux (sur certains modèles) devraient présenter une teinte bleue et une forme stable, sans bruit excessif ni séparation entre flamme et brûleur (les flammes produites par le propane comportent une pointe légèrement jaune). Une teinte jaune des flammes indique une déficience d'air. Si la combustion est bruyante ou si les flammes se séparent du brûleur, il y a un excès d'air. La présence modérée d'une teinte jaune à l'extrémité des flammes lorsque le brûleur est utilisé au débit thermique maximum est acceptable dans la mesure où il n'y a pas de formation de dépôt de carbone ou de suie.

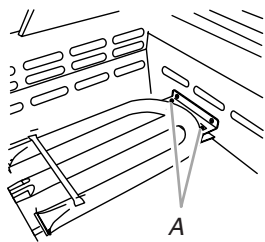
Vérifier que les brûleurs à tester ne sont pas obstrués par des saletés, des débris, des nids d'insectes, etc.; nettoyer au besoin. Si les brûleurs sont propres, ajuster l'admission d'air au besoin.

**IMPORTANT :** Avant de régler l'admission d'air sur un brûleur, laisser le brûleur refroidir complètement.

### Processus de réglage :

1. Allumer le gril - voir les instructions à la section "Utilisation du gril d'extérieur".
2. Observer les flammes pour déterminer si le brûleur nécessite un réglage et pour noter la forme des flammes.
3. Fermer le robinet et laisser le gril et les brûleurs refroidir complètement.
4. Ôter les grilles du gril et les plaques du brûleur à infrarouge.

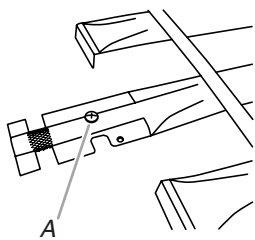
5. Enlever les 2 vis qui maintiennent le brûleur en place. Ôter le brûleur à gaz du gril.



A. 2 vis

6. Si les flammes présentent une teinte jaune (pénurie d'air), faire tourner la vis de réglage de l'admission d'air dans le sens antihoraire.

Si la combustion est bruyante ou si les flammes se séparent du brûleur (excès d'air), faire tourner la vis de réglage de l'admission d'air dans le sens horaire.



A. Vis de réglage de l'admission d'air

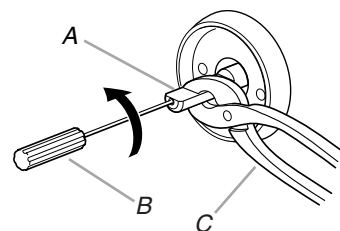
Lors des réglages, dans un sens ou dans l'autre, modifier la taille de l'orifice d'admission d'air de  $\frac{1}{8}$ " (3,2 mm) à  $\frac{1}{4}$ " (6,4 mm).

7. Réinstaller le brûleur, les plaques du brûleur à infrarouge et les grilles.
8. Allumer le gril - voir les instructions à la section "Utilisation du gril d'extérieur". Voir "Caractéristiques des flammes sur les brûleurs".

## Réglage pour le débit thermique minimum

Si le brûleur s'éteint lorsqu'il est réglé pour le débit thermique minimum (position LO), on doit effectuer un réglage particulier.

1. Fermer le robinet et laisser le gril et les brûleurs refroidir complètement.
2. Ôter les grilles du gril et les plaques du brûleur à infrarouge.
3. Allumer le gril - voir les instructions à la section "Utilisation du gril d'extérieur".
4. Placer le robinet à la position correspondant au débit thermique minimum et ôter le bouton.
5. Immobiliser la tige de réglage du robinet avec une pince et insérer un petit tournevis à lame plate dans la tige creuse.
6. Observer les flammes sur le brûleur et faire tourner doucement le tournevis dans le sens antihoraire.
7. Régler pour obtenir des flammes stables de taille minimum.



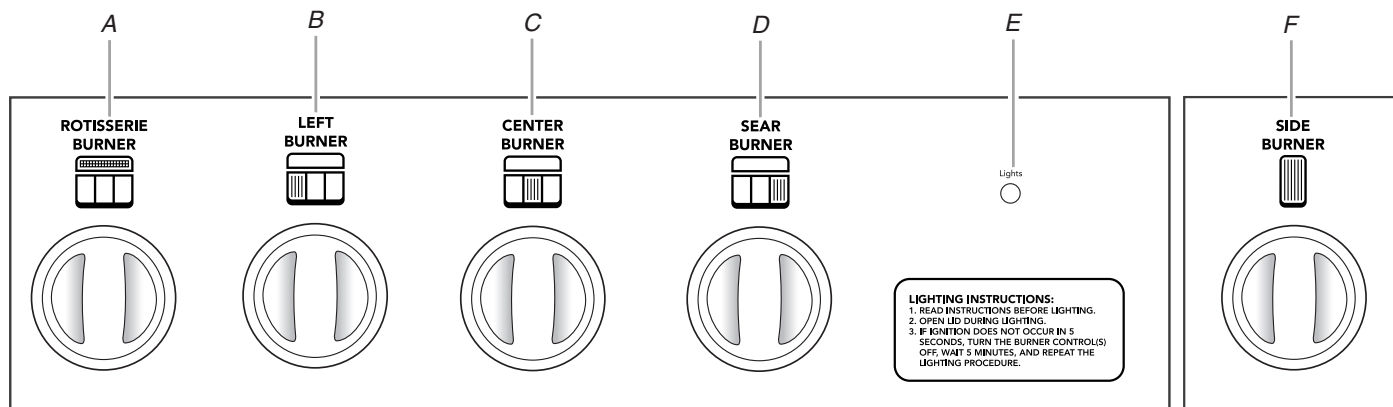
A. Tige de réglage du robinet  
B. Petit tournevis à lame plate  
C. Pince

8. Réinstaller le bouton sur le robinet et éteindre le brûleur.
9. Répéter les étapes 3 à 8 pour chaque brûleur au besoin.
10. Après le refroidissement des brûleurs, réinstaller les plaques du brûleur à infrarouge et les grilles.

# UTILISATION DU GRIL D'EXTÉRIEUR

Ce manuel couvre plusieurs modèles différents. Le gril que vous avez acheté peut comporter toutes les caractéristiques énumérées ou seulement certaines d'entre elles. Les emplacements et aspects des caractéristiques illustrées ci-dessous peuvent ne pas correspondre à ceux de votre modèle.

## Tableau de commande



A. Bouton de commande du brûleur du tournebroche  
 B. Bouton de commande du brûleur de gauche du gril  
 C. Bouton de commande du brûleur central du gril

D. Bouton de commande du brûleur à infrarouge  
 E. Lampes sous le capot  
 F. Bouton de commande du brûleur latéral

## Utilisation du gril d'extérieur

### ⚠ AVERTISSEMENT



#### Risque d'explosion

Ne pas remiser de réservoir à carburant dans un garage ou à l'intérieur.

Ne pas remiser un gril avec réservoir de carburant dans un garage ou à l'intérieur.

Le non-respect de ces instructions peut causer un décès, une explosion ou un incendie.

### ⚠ AVERTISSEMENT



#### Risque d'incendie

Ne pas utiliser le gril près de matériaux combustibles.

Ne pas remiser de matériaux combustibles près du gril.

Le non-respect de ces instructions peut causer un décès ou un incendie.

### ⚠ AVERTISSEMENT

#### Risque d'empoisonnement alimentaire

Ne pas laisser des aliments reposer plus d'une heure avant ou après la cuisson.

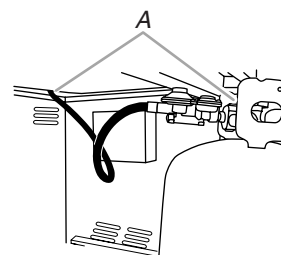
Le non-respect de cette instruction peut causer un empoisonnement alimentaire ou une maladie.

#### Inspection du tuyau de raccordement, entre le gril et la bouteille de gaz

Avant chaque utilisation, inspecter l'ensemble détendeur/tuyau de raccordement.

1. Ouvrir les portes du placard; faire glisser vers l'extérieur le chariot de la bouteille de propane de 20 lb.
2. Inspecter le tuyau de raccordement et le détendeur; rechercher coupures, abrasions ou usure excessive.
3. Si nécessaire, remplacer l'ensemble détendeur/tuyau de raccordement avant d'utiliser le gril.

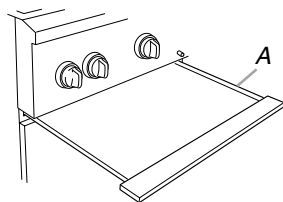
Pour la commande des tuyaux de remplacement spécifiques au gril utilisé, contacter le marchand qui a vendu l'appareil.



A. Ensemble détendeur/tuyau de raccordement

## Préparation de la source de gaz

1. Ouvrir complètement le capot. Ne jamais allumer les brûleurs alors que le capot est fermé.
2. Vérifier que le bouton de chaque robinet de gaz est à la position de fermeture OFF. Il faut que le plateau d'égouttement soit en place et complètement enfoncé.



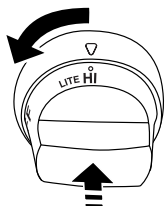
A. Plateau d'égouttement

## Ouvrir l'arrivée de gaz

1. Gril d'extérieur autoportant, avec bouteille de propane de 20 lb : ouvrir lentement le robinet de la bouteille.  
**REMARQUE :** En cas d'activation d'un dispositif de limitation du débit de gaz, le gril peut ne pas s'allumer. Si le brûleur du gril parvient à s'allumer, la taille des flammes sera réduite de même que le débit thermique. Fermer le robinet de la bouteille et tous les robinets du gril et attendre 30 secondes. Après la fermeture du robinet de la bouteille, ouvrir très lentement le robinet de la bouteille et attendre 5 secondes avant de tenter d'allumer un brûleur.
2. Gril d'extérieur avec source de gaz autre qu'une bouteille de propane de 20 lb :  
Ouvrir le robinet d'arrêt manuel sur la canalisation de gaz. Le robinet est ouvert lorsque la manette est parallèle à la canalisation.

## Allumage du brûleur du gril et du brûleur à infrarouge

1. Ne pas se pencher au-dessus du gril.
2. Choisir le brûleur à allumer. Enfoncer et faire tourner le bouton de commande du brûleur du gril pour le placer à la position LITE/HI (allumage/élevée); maintenir le bouton enfoncé.

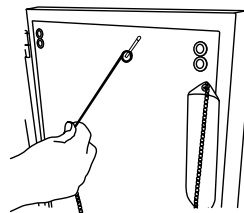


3. On doit percevoir le crépitement généré par l'allumeur. Lorsque le brûleur est allumé, lâcher le bouton; tourner le bouton de commande au réglage désiré.
4. Répéter ce processus pour chaque brûleur à allumer.

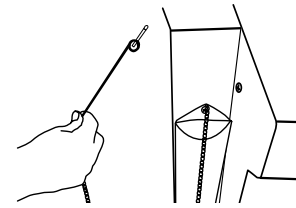
**IMPORTANT :** Si un brûleur ne s'allume pas immédiatement, ramener le bouton du robinet à la position d'arrêt OFF et attendre 5 minutes avant une nouvelle tentative.

## Allumage manuel pour brûleur principal du gril et brûleur à infrarouge

1. Ne pas se pencher au-dessus du gril.
2. Prendre le porte-allumette manuel (voir l'illustration ci-dessous) et fixer une allumette dans la boucle.

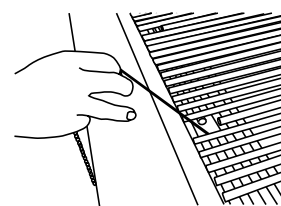


Grils autoportants - porte du placard du côté droit



Grils encastrés - rebord du côté droit

3. Frotter l'allumette pour l'allumer.
4. Introduire l'allumette entre la grille du gril et l'une des ouvertures de la plaque du brûleur à infrarouge.



5. Pour le brûleur le plus proche de l'allumette, enfoncer et faire tourner le bouton du robinet jusqu'à la position LITE/HI. Le brûleur s'allume immédiatement. Lorsque le brûleur est allumé, tourner le bouton jusqu'au réglage désiré.



6. Répéter les étapes 3 à 5 pour chaque brûleur principal.
7. Retirer l'allumette; réinstaller le porte-allumette à l'intérieur de la porte du placard.

### IMPORTANT :

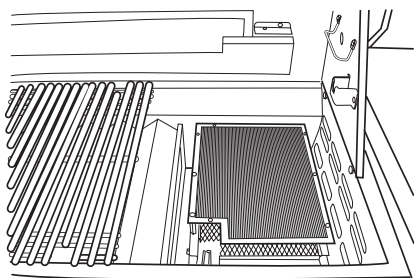
Si un brûleur ne s'allume pas immédiatement, ramener le bouton du robinet à la position d'arrêt OFF et attendre 5 minutes avant une nouvelle tentative.

Si un brûleur ne peut s'allumer lors d'une tentative manuelle, contacter le Centre d'expérience de la clientèle de KitchenAid. Voir la section "Assistance ou service".

## Utilisation du brûleur à infrarouge

Le brûleur à infrarouge produit une chaleur intense qui saisit rapidement une pièce de viande. Ceci permet une meilleure rétention de la saveur et des jus, tandis que la surface extérieure de la pièce de viande absorbe des composés présents dans la fumée et des arômes générés par la vaporisation des gouttes de graisse qui tombent sur le brûleur. On obtient ainsi une pièce de viande avec une surface caractéristique de la cuisson au gril, mais qui est également tendre et juteuse à l'intérieur.

- Préchauffer le brûleur à infrarouge pendant 5 minutes.
- Vérifier que chaque pièce de viande est complètement décongelée; enlever tout excès de graisse avant de procéder à la cuisson au gril.
- Laisser le brûleur fonctionner au débit thermique maximum (position HI) et placer les aliments sur le gril.
- Utiliser la chaleur du brûleur à infrarouge pour saisir la viande (exposition de chaque face pendant 1 à 2 minutes) puis transférer la pièce de viande au gril principal pour la finition de la cuisson jusqu'au degré désiré.



**REMARQUE :** L'illustration présente l'appareil sans les grilles. Chaque grille doit être en place lors de l'utilisation du brûleur à infrarouge.

## Utilisation du brûleur latéral

### ⚠ AVERTISSEMENT



#### Risque de brûlures

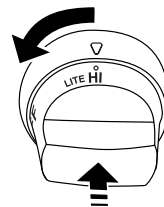
**La flamme du brûleur ne doit pas dépasser du bord du récipient de cuisson.**

**Le non-respect de cette instruction peut causer des brûlures.**

### Allumage du brûleur latéral

1. Retirer le capot de protection du brûleur latéral. Ne pas allumer un brûleur lorsque le capot est en place.
2. Ne pas se pencher au-dessus du gril.

3. Enfoncer et tourner le bouton de commande à la position LITE/HI (allumage/élevée); le maintenir enfoncé.

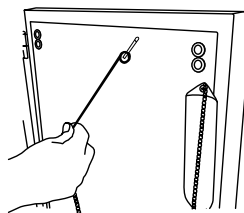


4. On doit percevoir le crépitement généré par l'allumeur. Lorsque le brûleur est allumé, lâcher le bouton; tourner le bouton de commande au réglage désiré.
5. Répéter ce processus pour chaque brûleur à allumer.

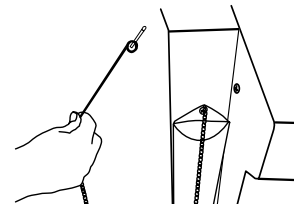
**IMPORTANT :** Si un brûleur ne s'allume pas immédiatement, ramener le bouton du robinet à la position d'arrêt OFF et attendre 5 minutes avant une nouvelle tentative.

### Allumage manuel du brûleur latéral

1. Ne pas se pencher au-dessus du gril.
2. Prendre le porte-allumette manuel (voir l'illustration ci-dessous) et fixer une allumette dans la boucle.

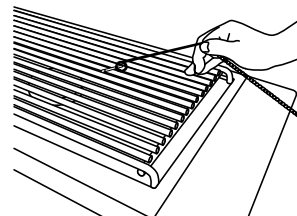


Grills autoportants - porte du placard du côté droit

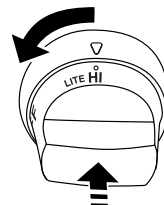


Grills encastrés - rebord du côté droit

3. Frotter l'allumette pour l'allumer.
4. Guider l'allumette vers le brûleur que vous souhaitez allumer.



5. Pour le brûleur le plus proche de l'allumette, enfoncer et faire tourner le bouton du robinet jusqu'à la position LITE/HI. Le brûleur s'allume immédiatement. Lorsque le brûleur est allumé, tourner le bouton jusqu'au réglage désiré.



- Répéter les étapes 3 à 5 pour chaque brûleur.
- Retirer l'allumette; réinstaller le porte-allumette à l'intérieur de la porte du placard.

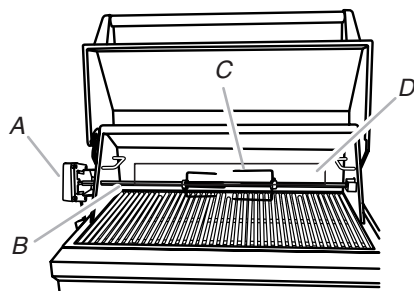
**IMPORTANT :**

Si un brûleur ne s'allume pas immédiatement, ramener le bouton du robinet à la position d'arrêt OFF et attendre 5 minutes avant une nouvelle tentative.

Si un brûleur ne peut s'allumer lors d'une tentative manuelle, contacter le Centre pour l'eXpérience de la clientèle de KitchenAid. Voir la section "Assistance ou service".

## Utilisation du tournebroche (Accessoire en option)

Un ensemble tournebroche peut être acheté comme accessoire pour le gril. Voir "Accessoires" dans la section "Assistance ou service".



A. Moteur du tournebroche  
B. Tige de la broche  
C. Fourche du tournebroche  
D. Brûleur du tournebroche

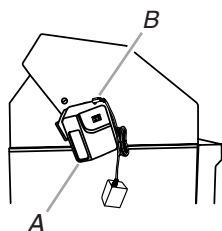
Pour des résultats de cuisson optimaux, ne pas utiliser les brûleurs principaux du gril en cas d'utilisation du tournebroche.

Le système de tournebroche est conçu pour cuire les aliments par l'arrière avec une chaleur intense, infrarouge qui saisit la viande.

**REMARQUE :** Pour éviter d'endommager le produit en dehors des périodes d'utilisation du tournebroche, retirer le moteur et le remettre à l'intérieur. Ôter la tige de la broche et les fourches. Conserver hors de portée des enfants.

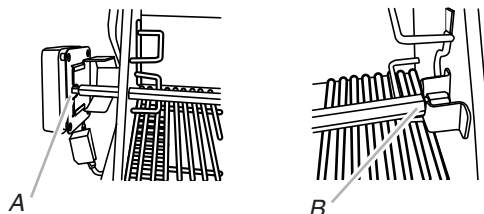
**Utilisation :**

- Retirer le plateau de réchauffage.
- Monter le moteur du tournebroche sur la bride de montage du gril. Le positionner fermement dans les encoches de la bride de support. Brancher le transformateur de 5000 mAmp de la prise à une broche dans le moteur du tournebroche.



A. Moteur du tournebroche  
B. Cordon d'alimentation à une broche

- Pour charger la tige de la broche, faire glisser l'une des fourches du tournebroche sur la tige de la broche avec les pointes orientées vers l'intérieur.
- Enfoncer la tige de la broche à travers le centre de l'aliment, puis faire glisser la seconde fourche du tournebroche.
- Centrer l'aliment et les fourches du tournebroche sur la tige de la broche et serrer les écrous à oreilles sur les fourches du tournebroche. Si nécessaire, sécuriser les parties qui risquent de se détacher avec de la ficelle de boucher uniquement.
- Une fois que l'aliment est placé sur la tige de la broche, placer l'extrémité pointue de la tige à travers le trou du côté gauche du gril et dans le moteur du tournebroche, puis abaisser l'extrémité crantée de la tige de la broche sur la bride de support du côté opposé.



A. Extrémité pointue de la tige de la broche  
B. Extrémité crantée de la tige de la broche

- Vérifier que l'aliment est centré avec le brûleur du tournebroche. Si ce n'est pas le cas, desserrer les écrous à oreilles, repositionner l'aliment et serrer à nouveau les écrous à oreilles.

## ⚠ AVERTISSEMENT



**Risque de choc électrique**

**Brancher sur une prise à 3 alvéoles reliée à la terre.**

**Ne pas enlever la broche de liaison à la terre.**

**Ne pas utiliser un adaptateur.**

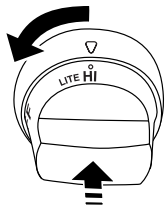
**Ne pas utiliser un câble de rallonge.**

**Le non-respect de ces instructions peut causer un décès, un incendie ou un choc électrique.**

- Brancher sur une prise à 3 alvéoles reliée à la terre.
- Mettre en marche le moteur du tournebroche et allumer le brûleur du tournebroche. Voir la section suivante "Allumage du brûleur du tournebroche".

## Allumage du brûleur du tournebroche

1. Ne pas se pencher au-dessus du gril.
2. Enfoncer et tourner le bouton de commande à la position LITE/HI (allumage/élevée). On percevra le bruit de déclic du module d'étincelage.

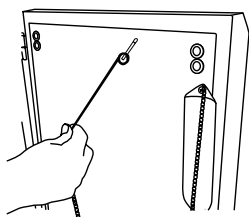


3. Après l'allumage du brûleur du tournebroche, maintenir la pression sur le bouton pendant 10 secondes, lâcher ensuite le bouton et le brûleur restera allumé. On percevra le bruit de déclic du module d'étincelage jusqu'à ce que le bouton soit relâché.

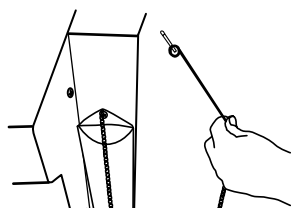
**IMPORTANT :** Si le brûleur du tournebroche ne s'allume pas immédiatement, tourner le bouton du brûleur à OFF (arrêt) et attendre 5 minutes avant d'allumer de nouveau.

## Allumage manuel du brûleur du tournebroche

1. Ne pas se pencher au-dessus du gril.
2. Ôter le porte-allumette (voir l'illustration suivante) et fixer une allumette sur la boucle.

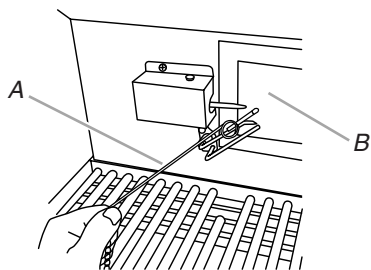


Grils autoportants - porte du placard du côté droit



Grils encastrés - rebord du côté droit

3. Frotter l'allumette pour l'allumer.
4. Approcher doucement l'allumette du brûleur du tournebroche.



A. Porte-allumette  
B. Brûleur du tournebroche

5. Enfoncer et tourner le bouton de commande à la position LITE/HI (allumage/élevée). Maintenir la pression sur ce bouton 10 secondes après l'allumage du brûleur. On percevra le bruit de déclic du module d'étincelage jusqu'à ce que le bouton soit relâché.



**IMPORTANT :** Si le brûleur du tournebroche ne s'allume pas immédiatement, tourner le bouton de commande du brûleur du tournebroche à OFF (arrêt) et attendre 5 minutes avant d'allumer de nouveau.

6. Retirer l'allumette et replacer le porte-allumette à l'intérieur de la porte du placard.

## Conseils de cuisson à l'aide du tournebroche

### ⚠ AVERTISSEMENT

#### Risque d'empoisonnement alimentaire

**Ne pas laisser des aliments reposer plus d'une heure avant ou après la cuisson.**

**Le non-respect de cette instruction peut causer un empoisonnement alimentaire ou une maladie.**

Le tournebroche fait tourner l'aliment devant le brûleur du tournebroche, ce qui crée une chaleur intense pour saisir l'extérieur et sceller les jus naturels à l'intérieur.

Le brûleur du tournebroche atteint les températures de cuisson en 1 minute environ. Ne pas préchauffer en cas d'utilisation du tournebroche.

- Choisir de la viande tendre et de la volaille.
- Laisser au moins 1" (2,5 cm) d'espace entre le brûleur du tournebroche et les aliments.
- Pour faciliter le nettoyage, placer un récipient sous l'aliment pour récupérer les renversements.
- Le capot peut être ouvert ou fermé, mais en cas d'utilisation du tournebroche avec le fumoir, le capot doit être fermé.
- Attendre les 10 dernières minutes de cuisson pour ajouter la sauce barbecue ou le glaçage pour empêcher que la sauce ne brûle.

## Troussage de la volaille pour utilisation du tournebroche

1. Charger la tige de la broche en faisant glisser l'une des fourches sur la tige, avec les pointes orientées vers l'intérieur. Serrer la vis pour l'empêcher de glisser.
2. Enfoncer la tige à travers le centre de la volaille.
3. Découper 24" (61,0 cm) de ficelle de boucher et la centrer sous la volaille, poitrine vers le haut.
4. Enrouler chaque extrémité de la ficelle autour des ailes; saisir chaque pointe d'aile. Maintenir fermement les deux extrémités de la ficelle sur la partie supérieure de la poitrine et faire un nœud. Ne pas couper l'excédent de ficelle.
5. Découper une autre portion de ficelle de 20" (50,8 cm) et la placer sous la partie arrière de la volaille. L'enrouler autour de la queue puis autour de la tige de la broche, en serrant fermement.
6. Croiser les pattes sur la partie supérieure de la tige de la broche; nouer la ficelle autour des pattes croisées.
7. Réunir la ficelle retenant les pattes à la ficelle retenant les ailes et faire un nœud. Couper l'excédent de ficelle.
8. Faire glisser sur la seconde fourche en enfonçant les pointes dans les pilons.
9. Centrer l'aliment et les fourches sur la tige et serrer les vis. La volaille doit être bien maintenue sur la tige du tournebroche.

### TABLEAU D'UTILISATION DU TOURNEBROCHE

Utiliser un thermomètre à viande portatif pour vérifier la cuisson interne de l'aliment.

Éteindre le brûleur du tournebroche lorsque le thermomètre à viande indique 5°F/3°C de moins que la température interne désirée. Continuer la rotation, capot fermé, pendant 10 minutes avant de procéder au découpage.

La durée de cuisson varie en fonction des conditions météorologiques (vent, température extérieure, etc.).

Aliment	Poids	Cuisson interne ou température (°F/°C)	Durée approximative de cuisson au grill (min/lb)
<b>Bœuf</b>			
Rôti	4 à 6 lb	Saignant - à point	15-20
Faux-filet	1,5-2,2 kg	(145°F/63°C)	20-25
Pointe de surlonge		Moyenne	
Côte, désossée		(160°F/71°C)	
<b>Volaille</b>			
Poulet	3 à 6 lb 1,1-2,2 kg	Poitrine (170°F/77°C)	25-30
		Cuisse (180°F/82°C)	25-30
Dinde, entière	7 à 10 lb 2,6-3,7 kg	Poitrine (170°F/77°C)	11-20
		Cuisse (180°F/82°C)	11-20
<b>Agneau</b>			
Gigot désossé	4 à 7 lb 1,5-2,6 kg	Moyenne (160°F/71°C)	20-25
<b>Porc</b>			
Rôti de longe, désossé	4 à 6 lb 1,5-2,2 kg	Moyenne (160°F/71°C)	20-23

## Utilisation du fumoir

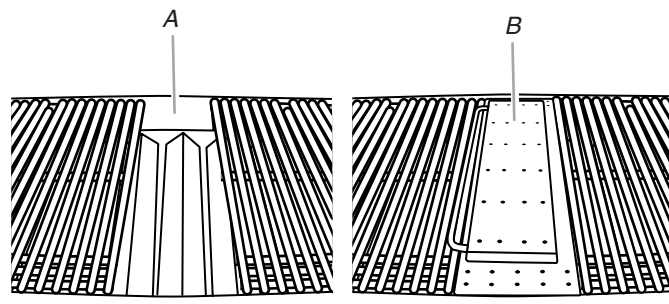
(sur certains modèles ou disponible comme accessoire)\*

On peut utiliser le fumoir pour une cuisson au grill ou par rôtissage sur tournebroche.

1. Préparer des copeaux ou granulés de bois conformément aux instructions du fabricant.
2. Ouvrir le couvercle du fumoir; placer les copeaux/granulés sur la grille à l'intérieur du fumoir.

**REMARQUE :** Pour 1 heure de fumage, remplir le fumoir à environ 25 pour cent avec les copeaux/granulés.

3. Retirer la petite grille du grill; installer à la place le fumoir.



A. Illustré avec petite grille retirée  
B. Fumoir

4. Allumer le brûleur situé sous le fumoir; préchauffer (débit thermique maximum) jusqu'à ce que l'émission de fumée commence. Réduire le débit thermique du brûleur pour maintenir l'émission de fumée au niveau désiré.

### Pour remplir le fumoir lors de la cuisson

**IMPORTANT :** Il est conseillé de porter des mitaines de four pour ouvrir et fermer le couvercle du fumoir.

1. Ouvrir le capot du grill.
2. Soulever le couvercle du fumoir et ajouter d'autres copeaux/granulés.
3. Rabattre le couvercle du fumoir.
4. Fermer le capot du grill et poursuivre l'opération de cuisson au grill.

\*Voir la section "Assistance ou service" pour commander.

## Lampes sous le capot

### Pour les modèles autoportants:

Le grill doit être branché pour que les lampes sous le capot puissent fonctionner. Voir "Branchement du grill" dans la section "Style 1 - Installation du grill d'extérieur autoportant".

### Pour les modèles encastrés :

Pour que les lampes sous le capot puissent s'allumer, il faut que le transformateur d'alimentation de 5000 mA soit branché. Voir "Branchement du grill" dans la section "Style 2 - Installation du grill d'extérieur encastré".

### Utilisation :

Appuyer sur le bouton LIGHTS (lampes) du tableau de commande pour commander l'allumage ou l'extinction des lampes.

# CONSEILS POUR L'UTILISATION DU GRIL D'EXTÉRIEUR

## **⚠ AVERTISSEMENT**

### Risque d'empoisonnement alimentaire

**Ne pas laisser des aliments reposer plus d'une heure avant ou après la cuisson.**

**Le non-respect de cette instruction peut causer un empoisonnement alimentaire ou une maladie.**

### Avant d'utiliser le grill

- Décongeler les aliments avant de les faire griller.
- Préchauffer le grill au débit thermique maximum (utiliser tous les brûleurs du grill) pendant 10 minutes. Durant la phase de préchauffage, le capot du grill doit être fermé. Ne pas utiliser le brûleur du tournebroche arrière pour le préchauffage. Le préchauffage génère la température élevée nécessaire pour le brunissage d'un morceau de viande et la rétention des jus.
- Réduire la durée de la phase de préchauffage avant la cuisson au grill de morceaux de viande ou de volaille à forte teneur en graisse, telles que les cuisses de poulet. Ceci réduira les flammes.
- Huiler légèrement les grilles du grill ou les aliments en cas de cuisson de morceaux de viande, de poisson ou de volaille à faible teneur en gras, tels que des galettes de viande hachée maigre, des crevettes ou des poitrines de poulet sans peau.
- Des cendres grises risquent de se déposer sur les aliments en cas d'excès d'huile.
- Enlever l'excès de gras des viandes avant la cuisson afin de réduire les flammes.
- Effectuer des coupes verticales à intervalles de 2" (5 cm) autour des parties grasses sur les côtés de la viande pour éviter qu'elle ne se recroqueville.
- Attendre la fin de la cuisson pour ajouter l'assaisonnement ou le sel.

### Pendant l'utilisation du grill

- Retourner les aliments une seule fois. Les jus sont perdus lorsque la viande est retournée plusieurs fois.
- Retourner la viande lorsque les jus commencent à apparaître à la surface.
- Éviter de percer ou de couper les viandes afin d'en évaluer la cuisson. Ceci permet aux jus de s'échapper.

- Il peut être nécessaire de réduire le réglage de température pour les aliments qui cuisent pendant une longue période ou qui sont marinés ou arrosés d'une sauce sucrée.
- En cas d'utilisation d'une flamme élevée, ajouter de la sauce barbecue seulement au cours des 10 dernières minutes de la cuisson afin d'éviter de faire brûler la sauce.
- Le degré de cuisson varie en fonction du type de viande, de la coupe de la viande (taille, forme et épaisseur), du réglage de température sélectionné et de la durée de cuisson au grill.
- La durée de cuisson sera plus longue avec le grill ouvert.

## Méthodes de cuisson

Pour un rendement optimal du système SureSear™, les méthodes de cuisson suivantes sont recommandées.

### Chauffage direct

La cuisson par chauffage direct signifie que l'aliment est placé sur les grilles du grill directement au-dessus des brûleurs allumés. La position du capot peut être soulevée ou rabattue. La durée de cuisson totale varie en fonction de la position du capot.

Le chauffage direct saisit les aliments. Le chauffage par infrarouge est un processus qui retient les jus naturels dans les aliments grâce à une cuisson à chaleur intense pendant une courte durée. Alors que les jus restent dans l'aliment, l'extérieur est doré pour former un enrobage grillé savoureux.

### Chauffage indirect

Pour des résultats optimaux, ne pas sélectionner la méthode de cuisson par chauffage indirect lorsqu'il y a du vent.

La cuisson par chauffage indirect signifie que l'aliment est placé sur la grille du grill au-dessus d'un brûleur non chauffé, ce qui permet à la chaleur provenant du/des brûleur(s) allumé(s) à proximité de cuire l'aliment.

Si possible, allumer 2 brûleurs. Faire cuire avec le capot rabattu. Ceci réduira la durée de cuisson.

### Cuisson indirecte

Placer l'aliment directement sur la grille du grill au-dessus des brûleurs éteints (OFF).

Dimension du grill	Brûleur	Brûleur	Brûleur
	1	2	3
Gril de 27" (68,6 cm)	ON (marche)	OFF (arrêt)	-
Gril de 36" (91,4 cm)	ON (marche)	OFF (arrêt)	ON (marche)

## Tableau de cuisson au grill

- Les boutons comportent les réglages High (élevée), Medium (moyenne) et Low (faible) pour le réglage des flammes.
- Les réglages de chaleur sont indiqués de façon approximative.
- Les durées de cuisson au grill peuvent varier en fonction des conditions météorologiques.
- Lorsque 2 températures sont indiquées, exemple : Medium (moyenne) à Medium-Low (moyenne-faible), commencer avec la première et ajuster en fonction de la progression de la cuisson.
- Les durées de cuisson peuvent varier des durées indiquées dans le tableau en fonction du type de combustible utilisé (gaz naturel ou propane).

ALIMENT	MÉTHODE DE CUISSON/RÉGLAGE DU BRÛLEUR	TEMP. INTERNE	DURÉE (minutes au total)	INSTRUCTIONS SPÉCIALES
<b>Bœuf</b>				
Hamburgers de ½" (1,3 cm) à ¾" (1,9 cm) d'épaisseur	DIRECT Moyenne	Moyenne (160°F/71°C)	10-15	Griller, retourner une fois.
Rôtis Faux-filet, surlonge	INDIRECT Moy./arrêt/moy.	Moy-Saignante (145°F/63°C) à Moyenne (160°F/71°C)	32-40 par lb (12-15 par kg)	Recouvrir de papier d'aluminium pendant les 45 à 60 premières minutes de cuisson.
Steaks, 1" (2,5 cm) Aloyau, côte, contre-filet, surlonge	DIRECT Moyenne	Moy-saignante (145°F/63°C) à Moyenne (160°F/71°C)	11-16	Faire pivoter les steaks de ¼ de tour pour créer des marques de grill croisées.
Steaks, 1½" (3,8 cm) Aloyau, côte, contre-filet, surlonge	DIRECT Moyenne	Moy-saignante (145°F/63°C) à Moyenne (160°F/71°C)	18-25	
Intérieur de ronde ou épaule/bloc d'épaule (London Broil) 1½" (3,8 cm) d'épaisseur	DIRECT Moyenne	Moy-saignante (145°F/63°C) à Moyenne (160°F/71°C)	22-29	
Flanc : ½" (1,3 cm) d'épaisseur	DIRECT Moyenne	Moy-saignante (145°F/63°C)	11-16	
<b>Porc</b>				
Côtelettes, 1" (2,5 cm) 1½" (3,8 cm) d'épaisseur	DIRECT Moyenne à moy-faible	Moyenne (160°F/71°C)	12-22 30-40	
Côtes 2½-4 lb (0,9 à 1,5 kg)	INDIRECT Moy./arrêt/moy.	Moyenne (160°F/71°C)	40-60	Griller, retourner occasionnellement. Au cours des quelques dernières minutes, enduire de sauce barbecue si désiré. Lorsque c'est cuit, emballer dans du papier d'aluminium.
Rôti, filet désossé, 1 lb (0,37 kg)	DIRECT Moyenne	Moyenne (160°F/71°C)	18-22	Retourner pendant la cuisson pour dorer tous les côtés.
Demi-jambon 8 à 10 lb (3 à 3,7 kg)	INDIRECT Moy./arrêt/moy.	Réchauffage (140°F/60°C)	2-2½ heures	Emballer l'intégralité du jambon dans du papier d'aluminium et placer sur le grill sans récipient ou plateau d'égouttement.
Steak de jambon précuit, ½" (1,3 cm) d'épaisseur	DIRECT Préchauffage Moyenne Gril Moyenne	Réchauffage (145°F/63°C)	7-10	
Hot dogs	DIRECT Moyenne	Réchauffage (145°F/63°C)	5-10	Entailler la peau si désiré.

ALIMENT	MÉTHODE DE CUISSON/RÉGLAGE DU BRÛLEUR	TEMP. INTERNE	DURÉE (minutes au total)	INSTRUCTIONS SPÉCIALES
<b>Poulet</b>				
Poitrine, désossée	DIRECT Moyenne	170°F/77°C	15-22	Pour une cuisson uniforme, attendrir la poitrine à ¾" (2,0 cm) d'épaisseur.
Morceaux, 2 à 3 lb (0,75 à 1,1 kg)	DIRECT Moy.-faible à Moyenne	Poitrine 170°F/77°C Cuisse 180°F/82		Commencer avec le côté os vers le bas.
<b>Agneau</b>				
Côtelettes et steaks, Longe, côte, surlonge, 1" (2,5 cm) d'épaisseur	DIRECT Moyenne	Moy-saignante (145°F/63°C) à Moyenne (160°F/71°C)	10-20	
1½" (3,8 cm) d'épaisseur	DIRECT Moyenne	Moy-saignante (145°F/63°C) à Moyenne (160°F/71°C)	16-20	
<b>Poisson et fruits de mer</b>				
Filets, darnes, gros morceaux, flétan, saumon, espadon, 8 oz (0,25 kg)	DIRECT Moyenne		4 à 6 par ½" (1,3 cm) d'épaisseur de poisson	Griller, retourner une fois. Enduire la grille d'huile pour empêcher le poisson d'attacher. Retirer du feu lorsque l'intérieur est opaque et floconneux et que la peau s'enlève facilement.
Entier, poisson-chat, truite arc-en-ciel, 8-11 oz (0,25 à 0,34 kg)	DIRECT Élevée		5 à 7 par côté	
Mollusques et crustacés, pétoncles, crevettes	DIRECT Moyenne		4-8	
<b>Dinde</b>				
Poitrine entière (morceaux avec os)	INDIRECT Élevée/arrêt/élevée	170°F/77°C	14-18	Recouvrir de papier d'aluminium jusqu'aux 30 dernières minutes de cuisson.
Demi-poitrine (morceaux avec os)	INDIRECT Moy./arrêt/moy.	170°F/77°C	25-30	Commencer avec le côté peau vers le bas.
Entière 7 à 12 lb (2,6 à 5,4 kg)	INDIRECT Élevée/arrêt/élevée	Poitrine 170°F/77°C Cuisse 180°F/82°C	11-16	Moins de 11 lb. (5,0 kg)
<b>Légumes frais</b>				
Épi de maïs	DIRECT Moyenne		20-25	Faire tremper dans l'eau froide pendant 20 minutes. Ne pas retirer l'enveloppe de l'épi. Secouer pour éliminer l'excès d'eau.
Aubergine	DIRECT Moyenne		7-10	Laver et couper en tranches de ½" (1,3 cm) ou dans le sens de la longueur. Enduire d'huile d'olive.
Oignon, ½" (1,3 cm) d'épaisseur	DIRECT Moyenne		8-20	Griller, retourner une fois. Enduire d'huile d'olive. Enfiler plusieurs tranches sur une brochette pour les maintenir ensemble.
Pommes de terre, Patates douces, entières	DIRECT Moyenne		40-70	Emballer individuellement dans du papier d'aluminium résistant. Griller, faire pivoter occasionnellement.
Pommes de terre au four, entières	DIRECT Élevée		45-90	

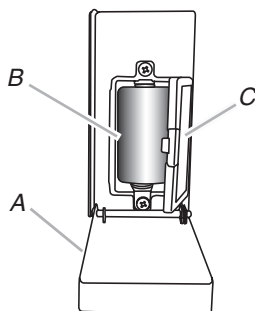
ALIMENT	MÉTHODE DE CUISSON/RÉGLAGE DU BRÛLEUR	TEMP. INTERNE	DURÉE (minutes au total)	INSTRUCTIONS SPÉCIALES
Poivrons, rôtis	DIRECT Élevée		15-22	Laver et placer entier sur le grill. Carboniser la peau tout autour. Laisser refroidir dans un sac en papier ou une pellicule de plastique pour dégager la peau noircie. Peler et retirer les pépins.
Courge, courge d'été, courgette	DIRECT Moyenne		7-10	Laver et couper en tranches de 1/2" (1,3 cm) ou dans le sens de la longueur. Enduire d'huile d'olive.
Ail rôti	DIRECT Moyenne		20-25	Couper la partie supérieure, arroser légèrement d'huile d'olive et emballer dans une double couche de papier d'aluminium.

## ENTRETIEN DU GRIL D'EXTÉRIEUR

### Remplacement de la pile de l'allumeur

Si les allumeurs ne génèrent plus d'étincelles, la pile doit être remplacée.

- Ouvrir le compartiment de la pile. Ôter la pile.

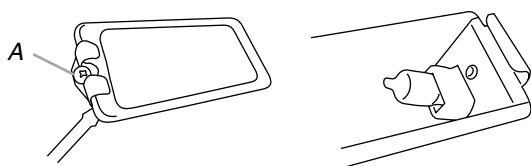


A. Couvercle externe du compartiment de la pile  
B. Pile de format "D" de 1,5 volt  
C. Couvercle interne du compartiment de la pile

- Remplacer par une pile alcaline de format "D" de 1,5 volt.
- Fermer le compartiment interne; le couvercle s'emboîte.
- Fermer le couvercle externe.

### Changement de l'ampoule d'éclairage

- Débrancher ou déconnecter la source de courant électrique.
- Pour retirer le couvercle en verre de la lampe, retirer la vis et dégager doucement le couvercle vers le bas avec un petit tournevis à lame plate (côté gauche du couvercle), près de la vis, et le tirer à l'extérieur du dispositif de retenue.



A. Vis

- Ôter l'ampoule de la douille.
- Remplacer par une ampoule neuve de 12 volts, 10 watts maximum, halogène, à l'aide d'un chiffon ou en portant des gants en coton pour manipuler l'ampoule. Afin d'éviter d'endommager l'ampoule, ne pas toucher l'ampoule avec les doigts nus.
- Remplacer le couvercle en verre de la lampe en plaçant l'extrémité sans attache dans l'attache montée sur le grill. Emboîter l'extrémité de la vis et serrer.
- Brancher l'appareil ou reconnecter la source de courant électrique.

### Nettoyage général

**IMPORTANT :** Avant le nettoyage, s'assurer que toutes les commandes sont éteintes et que le grill a refroidi. Toujours suivre les instructions figurant sur les étiquettes des produits de nettoyage.

Pour le nettoyage de routine, laver à l'eau savonneuse à l'aide d'un chiffon doux ou d'une éponge. Rincer à l'eau propre et sécher immédiatement à l'aide d'un chiffon doux, sans charpie, afin d'éviter les taches et rayures.

Ne pas utiliser de laine d'acier pour nettoyer le grill, car ceci égratignera la surface.

Utiliser la housse de grill en vinyle afin d'éviter que le fini ne subisse de dommages liés aux intempéries. Voir la section "Assistance ou service".

### ACIER INOXYDABLE

**IMPORTANT :** Afin d'éviter d'endommager les surfaces en acier inoxydable, ne pas utiliser de tampons de récurage savonneux, de nettoyeurs abrasifs, de crème à polir pour table de cuisson, de laine d'acier, de chiffons de lavage rugueux ou d'essuie-tout.

Les produits de nettoyage ne doivent pas contenir de chlore. Des dommages peuvent survenir.

Les renversements d'aliments doivent être nettoyés dès que le grill a entièrement refroidi. Les renversements peuvent causer une décoloration permanente.

## Méthode de nettoyage :

- Frotter dans la direction du grain pour éviter d'égratigner ou d'endommager la surface.
- Nettoyant et poli pour acier inoxydable KitchenAid® - Pièce n° 4396920 (non incluse) : Voir la section "Assistance ou service" pour commander.
- Détergent liquide ou nettoyant tout-usage
- Rincer à l'eau propre et sécher avec un chiffon doux sans charpie.
- Vinaigre pour éliminer les taches d'eau dure.
- Nettoyant à vitre pour éliminer les traces de doigts.

## GRILLES DU GRIL

**IMPORTANT :** Afin d'éviter d'endommager les grilles du gril, ne pas utiliser de grattoir en acier ou en fibres sur les grilles du gril. Immédiatement après la fin de la cuisson, retirer les particules alimentaires avec une brosse en laiton. Tourner tous les brûleurs à la position HI (élevée) pendant 10 à 15 minutes avec le capot rabattu pour supprimer les résidus alimentaires. Éteindre tous les brûleurs, soulever le capot et laisser les grilles refroidir. Utiliser la brosse en laiton pour ôter les cendres des grilles du gril.

Une fois qu'elles ont complètement refroidi, les grilles du gril peuvent être retirées pour un nettoyage en profondeur. Les laver avec un détergent doux et de l'eau tiède.

Pour les aliments incrustés, préparer une solution de 1 tasse (250 mL) d'ammoniaque pour 1 gallon (3,75 L) d'eau. Laisser les grilles tremper pendant 20 minutes, puis rincer à l'eau et sécher complètement.

## PLATEAU DE RÉCHAUFFAGE

### Méthode de nettoyage :

- Détergent liquide ou nettoyant tout-usage.
- Rincer à l'eau propre et sécher avec un chiffon doux sans charpie.
- Pour les taches tenaces et la graisse incrustée, utiliser le produit de dégraissage pour service intense, pièce n° 31552, un produit de dégraissage commercial conçu pour l'acier inoxydable. Voir la section "Assistance ou service" pour commander.

**IMPORTANT :** Vérifier que l'alimentation en gaz est coupée et que tous les boutons de commande sont à la position OFF (arrêt). Vérifier que le brûleur latéral est froid.

## EXTÉRIEUR

La qualité de ce matériau résiste à la plupart des taches et piqûres de corrosion dès lors que la surface est maintenue propre, lisse et qu'elle est recouverte.

- Appliquer le poli pour acier inoxydable sur toutes les zones non dédiées à la cuisson avant la première utilisation. Appliquer de nouveau après chaque nettoyage pour éviter les dommages permanents à la surface.
- Le nettoyage doit toujours être suivi d'un rinçage à l'eau tiède propre.
- Essuyer complètement la surface à l'aide d'un chiffon doux.
- Pour les taches tenaces et la graisse incrustée, utiliser le produit de dégraissage pour service intense, pièce n° 31552, un produit de dégraissage commercial conçu pour l'acier inoxydable.

Voir la section "Assistance ou service" pour commander.

## INTÉRIEUR

On doit s'attendre à une décoloration de l'acier inoxydable sur ces pièces, du fait de la chaleur intense provenant des brûleurs. Toujours frotter dans la direction du grain. Le nettoyage doit toujours être suivi d'un rinçage à l'eau tiède propre.

### Méthode de nettoyage :

- Détergent liquide ou nettoyant tout-usage.
- Rincer à l'eau propre et sécher complètement avec un chiffon doux sans charpie.
- Une éponge à gratter robuste peut être utilisée avec des produits détergents doux.
- Pour les petites zones difficiles à nettoyer, utiliser le produit de dégraissage pour service intense, pièce n° 31552, un produit de dégraissage commercial conçu pour l'acier inoxydable.

Voir la section "Assistance ou service" pour commander.

## CHAPEAUX ET GRILLE DE BRÛLEUR LATÉRAL

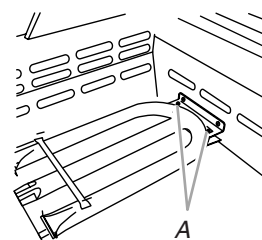
### Méthode de nettoyage :

- Nettoyer à l'aide d'une brosse en laiton.
- Laver la grille à l'aide d'un détergent doux, d'eau tiède et d'un produit de dégraissage.
- Rincer à l'eau propre et sécher avec un chiffon doux sans charpie.
- Nettoyant et poli pour acier inoxydable KitchenAid® - Pièce n° 4396920 (non incluse) : Voir la section "Assistance ou service" pour commander.

## BRÛLEURS EN FORME DE U

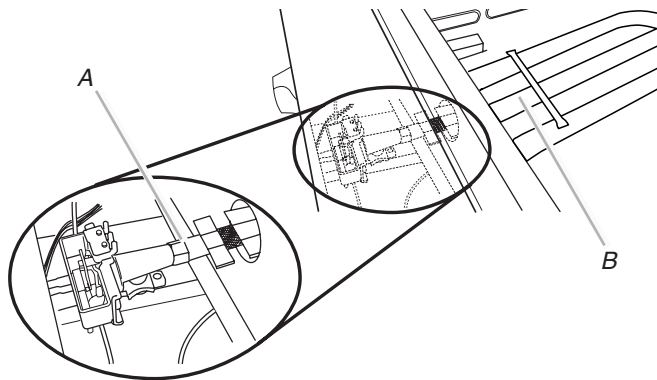
### Méthode de nettoyage :

- Nettoyer l'extérieur du brûleur à l'aide d'une brosse métallique.
- Dégager tout gicleur de brûleur obstrué avec un trombone redressé.
- Ne pas utiliser de cure-dent car celui-ci pourrait se briser et obstruer le gicleur.
- Vérifier et nettoyer les tubes du brûleur/de la buse.
  1. Ôter les grilles du gril et les plaques de grillage.
  2. Enlever les 2 vis qui maintiennent le brûleur en place. Ôter le brûleur à gaz du gril.



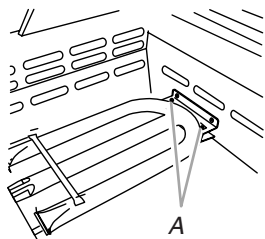
A. 2 vis

3. Utiliser une lampe de poche pour inspecter l'intérieur du brûleur par l'intermédiaire de l'entrée du brûleur pour vérifier qu'il n'y a pas de blocage. En cas d'obstruction, utiliser un cintre métallique redressé pour éliminer l'obstruction.
4. Après avoir inspecté l'intérieur du brûleur pour s'assurer de l'absence de blocage, réassembler le brûleur en faisant glisser le tube du milieu du brûleur à gaz au-dessus de l'orifice d'admission de gaz.



A. Raccordement du brûleur/du gicleur

5. Réinstaller le brûleur à gaz à l'aide de 2 vis.



A. 2 vis

### BRÛLEURS À INFRAROUGE (sur certains modèles)

#### Méthode de nettoyage :

1. Allumer le brûleur à infrarouge. Voir "Allumage du gril" et des brûleurs à infrarouge dans la section "Utilisation du gril d'extérieur".
2. Tourner le bouton à HI (élevée) et rabattre le capot du gril.
3. Laisser le brûleur à la puissance élevée pendant environ 30 minutes.
4. Éteindre le brûleur et le laisser refroidir complètement.
5. Ôter la grille du gril et éliminer à l'aide d'une brosse les particules de cendres accumulées sur la plaque du brûleur à infrarouge.
6. Réinstaller la grille du gril.

### PLATEAU D'ÉGOUTTEMENT

**IMPORTANT :** Le plateau d'égouttement ne doit être retiré que lorsque le gril a refroidi complètement.

Le plateau d'égouttement pleine largeur recueille la graisse et les particules alimentaires qui tombent à travers le gril. Le nettoyer souvent pour empêcher l'accumulation de graisse.

#### Méthode de nettoyage :

- Ôter le plateau et le poser sur une surface plane.
- Retirer l'excès de graisse avec de l'essuie-tout.
- Détergent doux et eau tiède. Rincer et sécher complètement.
- Réinstaller le plateau.

### BOUTONS ET REBORD DES BOUTONS

**IMPORTANT :** Afin d'éviter d'endommager les boutons et rebords des boutons, ne pas utiliser de laine d'acier, de produits de nettoyage abrasifs ou de nettoyant pour four.

Ne pas immerger les boutons de commande.

#### Méthode de nettoyage :

- Détergent doux, chiffon doux et eau tiède.
- Rincer et sécher.

### ILLUSTRATIONS DU TABLEAU DE COMMANDE

**IMPORTANT :** Afin d'éviter d'endommager les illustrations du tableau de commande, ne pas utiliser de laine d'acier, de produits de nettoyage abrasifs ou de nettoyant pour four. Ne pas vaporiser le nettoyant directement sur le tableau.

#### Méthode de nettoyage :

- Nettoyer doucement autour des étiquettes des brûleurs; le frottement pourrait effacer les indications.
- Détergent doux, chiffon doux et eau tiède.
- Rincer et sécher.

### TIGE DE LA BROCHE ET FOURCHES DU TOURNEBROCHE

#### Méthode de nettoyage :

- Laver avec un détergent doux, à l'aide d'un chiffon doux et d'eau tiède.
- Rincer et sécher.
- Pour les zones tenaces, utiliser un nettoyant tout-usage, une éponge à gratter robuste ou un nettoyant abrasif doux.

## DÉPANNAGE

Essayer les solutions suggérées ici d'abord afin d'éviter le coût d'une visite de service non nécessaire.

### Rien ne fonctionne

- **Le robinet principal d'arrêt ou de réglage du gaz est-il à la position fermée?**  
Voir les Instructions d'installation.
- **Le gril est-il bien raccordé à la canalisation de gaz?**  
Contacter un technicien de réparation qualifié ou voir les Instructions d'installation.

## ⚠ AVERTISSEMENT



### Risque de choc électrique

**Brancher sur une prise à 3 alvéoles reliée à la terre.**

**Ne pas enlever la broche de liaison à la terre.**

**Ne pas utiliser un adaptateur.**

**Le non-respect de ces instructions peut causer un décès, un incendie ou un choc électrique.**

- **Le cordon d'alimentation est-il débranché?**  
Brancher sur une prise à 3 alvéoles reliée à la terre.
- **Un fusible est-il grillé ou le disjoncteur s'est-il déclenché?**  
Remplacer le fusible ou réenclencher le disjoncteur. Si le problème persiste, contacter un électricien.
- **Le transformateur de 5000 mA est-il débranché?**  
Le brancher dans la fiche à une broche de la prise située dans la partie inférieure gauche du gril.

# ASSISTANCE OU SERVICE

Avant de faire un appel pour assistance ou service, veuillez vérifier la section "Dépannage". Cette vérification peut vous faire économiser le coût d'une visite de service. Si vous avez encore besoin d'aide, suivez les instructions ci-dessous.

Lors d'un appel, veuillez connaître la date d'achat, le numéro de modèle et le numéro de série au complet de l'appareil. Ces renseignements nous aideront à mieux répondre à votre demande.

## Si vous avez besoin de pièces de rechange

Si vous avez besoin de commander des pièces de rechange, nous vous recommandons d'employer uniquement des pièces spécifiées par l'usine. Les pièces spécifiées par l'usine conviendront et fonctionneront bien parce qu'elles sont fabriquées avec la même précision que celle utilisée dans la fabrication de chaque nouvel appareil KITCHENAID®.

Pour localiser des pièces spécifiées par l'usine dans votre région, nous appeler ou contacter le centre de service désigné KitchenAid le plus proche.

## Au Canada

Veuillez appeler sans frais le Centre pour l'eXpérience de la clientèle de KitchenAid Canada au : **1-800-807-6777**.

### Nos consultants vous renseigneront sur les sujets suivants :

- Caractéristiques et spécifications sur toute notre gamme d'appareils électroménagers.
- Consignes d'utilisation et d'entretien.
- Vente d'accessoires et de pièces de rechange.
- Références aux marchands locaux, aux distributeurs de pièces de rechange et aux compagnies de service. Les techniciens de service désignés par KitchenAid Canada sont formés pour remplir la garantie des produits et fournir un service après la garantie, partout au Canada.

### Pour plus d'assistance

Si vous avez besoin de plus d'assistance, vous pouvez soumettre par écrit toute question ou préoccupation à KitchenAid Canada à l'adresse suivante :

Centre pour l'eXpérience de la clientèle  
KitchenAid Canada  
1901 Minnesota Court  
Mississauga, Ontario L5N 3A7

Veuillez inclure dans votre correspondance un numéro de téléphone où l'on peut vous joindre dans la journée.

## Accessoires

### Ensembles de portes d'accès

18" (45,7 cm) : Commander la pièce n° KBAL181TSS  
18" (45,7 cm) : Commander la pièce n° KBAR181TSS  
27" (68,6 cm) : Commander la pièce n° KBAU272TSS  
30" (76,2 cm) : Commander la pièce n° KBAU302TSS  
36" (91,4 cm) : Commander la pièce n° KBAU362TSS

### Housses de gril en vinyle

#### Modèles encastrés :

27" (68,6 cm) : Commander la pièce n° 8212704  
36" (91,4 cm) : Commander la pièce n° 8212705

#### Modèles autoportants :

27" (68,6 cm) : Commander la pièce n° 8212699  
36" (91,4 cm) : Commander la pièce n° 8212700  
48" (121,9 cm) (gril de 36" [91,4 cm] avec brûleur latéral)  
Commander la pièce n° 8212701

### Ensembles de tournebroche

Ensemble de tournebroche de 27" : Commander la pièce n° KFKU271TSS  
Ensemble de tournebroche de 36" : Commander la pièce n° KFKU361TSS

### Fumoir

Commander la pièce n° KBDU271TSS

### Nettoyant et poli pour acier inoxydable KitchenAid®

Commander la pièce n° 4396920

### Nettoyant tout-usage pour appareil ménager

Commander la pièce n° 31682

### Produit de dégraissage pour service intense

Commander la pièce n° 31552

---

# GARANTIE DES PRODUITS POUR USAGE EXTÉRIEUR KITCHENAID®

---

## GARANTIE LIMITÉE

Pendant un an à compter de la date d'achat, lorsque ce produit pour usage extérieur est utilisé et entretenu conformément aux instructions jointes à ou fournies avec le produit, la marque KitchenAid de Whirlpool Corporation ou Whirlpool Canada LP (ci-après désignées "KitchenAid") paiera pour les pièces spécifiées par l'usine et la main-d'œuvre pour corriger les vices de matériaux ou de fabrication. Le service doit être fourni par une compagnie de service désignée par KitchenAid. Cette garantie limitée est valide uniquement aux États-Unis ou au Canada et s'applique exclusivement lorsque l'appareil pour usage extérieur est utilisé dans le pays où il a été acheté. À l'extérieur du Canada et des 50 États des États-Unis, cette garantie limitée ne s'applique pas. Une preuve de la date d'achat original est exigée pour obtenir un service dans le cadre de la présente garantie limitée.

---

## GARANTIE LIMITÉE DE LA DEUXIÈME À LA CINQUIÈME ANNÉE INCLUSIVEMENT SUR LES PIÈCES POUR LES GRILS UNIQUEMENT

De la deuxième à la cinquième année inclusivement à compter de la date d'achat, lorsque ce gril est utilisé et entretenu conformément aux instructions jointes à ou fournies avec le produit, KitchenAid paiera pour les pièces spécifiées par l'usine pour corriger les vices de matériaux ou de fabrication.

---

## GARANTIE LIMITÉE À VIE SUR LES COMPOSANTS EN ACIER INOXYDABLE POUR LES GRILS UNIQUEMENT

Pour la durée de vie du produit, lorsque ce gril est utilisé et entretenu conformément aux instructions jointes à ou fournies avec le produit, KitchenAid remplacera la structure en acier inoxydable en cas de vices de matériaux ou de fabrication. Pour la durée de vie du produit, lorsque ce gril est utilisé et entretenu conformément aux instructions jointes à ou fournies avec le produit, KitchenAid paiera pour les pièces de rechange des brûleurs du gril en acier inoxydable.

---

## ARTICLES EXCLUS DE LA GARANTIE

La présente garantie limitée ne couvre pas :

1. Les visites de service pour rectifier l'installation du produit pour usage extérieur, montrer à l'utilisateur comment utiliser l'appareil pour usage extérieur, remplacer ou réparer des fusibles ou rectifier le câblage ou la plomberie du domicile.
2. Les défauts apparents, notamment les éraflures, les bosses, fissures ou tout autre dommage au fini du produit pour usage extérieur, à moins que ces dommages soient dus à des vices de matériaux ou de fabrication et soient signalés à KitchenAid dans les 30 jours suivant la date d'achat.
3. Les réparations lorsque le produit pour usage extérieur est utilisé à des fins autres que l'usage unifamilial normal ou lorsque les instructions d'installation et/ou les instructions de l'opérateur ou de l'utilisateur fournies ne sont pas respectées.
4. Les dommages imputables à : accident, modification, usage impropre ou abusif, incendie, inondation, actes de Dieu, installation fautive ou installation non conforme aux codes d'électricité ou de plomberie, ou l'utilisation de pièces consommables ou de produits nettoyants non approuvés par KitchenAid.
5. L'ensemble de conversion ou l'appel de service pour la conversion de produit pour usage extérieur de gaz naturel à propane ou de propane à gaz naturel.
6. Les coûts associés au transport du produit pour usage extérieur du domicile pour réparation. Ce produit pour usage extérieur est conçu pour être réparé à domicile et seul le service à domicile est couvert par la présente garantie.
7. Les réparations aux pièces ou systèmes résultant d'une modification non autorisée faite à l'appareil pour usage extérieur.
8. Les frais de transport pour le service d'un produit si votre appareil pour usage extérieur est situé dans une région éloignée où un service d'entretien KitchenAid autorisé n'est pas disponible.
9. La dépose et la réinstallation de votre appareil pour usage extérieur si celui-ci est installé dans un endroit inaccessible ou n'est pas installé conformément aux instructions d'installation fournies.
10. Les dommages résultant de l'usure normale du produit pour usage extérieur.
11. Les appareils pour usage extérieur dont les numéros de série et de modèle originaux ont été enlevés, modifiés ou qui ne peuvent pas être facilement identifiés. La présente garantie est nulle si le numéro de série d'usine a été modifié ou enlevé du produit pour usage extérieur.

Le coût d'une réparation ou des pièces de rechange dans le cadre de ces circonstances exclues est à la charge du client.

---

**CLAUSE D'EXONÉRATION DE RESPONSABILITÉ AU TITRE DES GARANTIES IMPLICITES; LIMITATION DES RECOURS**

LE SEUL ET EXCLUSIF RECOURS DU CLIENT DANS LE CADRE DE LA PRÉSENTE GARANTIE LIMITÉE CONSISTE EN LA RÉPARATION PRÉVUE CI-DESSUS. LES GARANTIES IMPLICITES, Y COMPRIS LES GARANTIES APPLICABLES DE QUALITÉ MARCHANDE ET D'APTITUDE À UN USAGE PARTICULIER, SONT LIMITÉES À UN AN OU À LA PLUS COURTE PÉRIODE AUTORISÉE PAR LA LOI. KITCHENAID N'ASSUME AUCUNE RESPONSABILITÉ POUR LES DOMMAGES FORTUITS OU INDIRECTS. CERTAINES JURIDICTIONS NE PERMETTENT PAS L'EXCLUSION OU LA LIMITATION DES DOMMAGES FORTUITS OU INDIRECTS, OU LES LIMITATIONS DE LA DURÉE DES GARANTIES IMPLICITES DE QUALITÉ MARCHANDE OU D'APTITUDE À UN USAGE PARTICULIER, DE SORTE QUE CES EXCLUSIONS OU LIMITATIONS PEUVENT NE PAS S'APPLIQUER DANS VOTRE CAS. CETTE GARANTIE VOUS CONFÈRE DES DROITS JURIDIQUES SPÉCIFIQUES ET VOUS POUVEZ ÉGALEMENT JOUIR D'AUTRES DROITS QUI PEUVENT VARIER D'UNE JURIDICTION À UNE AUTRE.

---

Si vous résidez à l'extérieur du Canada et des 50 États des États-Unis, contactez votre marchand KitchenAid autorisé pour déterminer si une autre garantie s'applique.

Si vous avez besoin de service, voir d'abord la section "Dépannage" du Guide d'utilisation et d'entretien. Après avoir vérifié la section "Dépannage", de l'aide supplémentaire peut être trouvée en vérifiant la section "Assistance ou service" ou en appelant KitchenAid. Aux É.-U., composer le **1-800-422-1230**. Au Canada, composer le **1-800-807-6777**. 4/08

---

**Conservez ce manuel et votre reçu de vente ensemble pour référence ultérieure. Pour le service sous garantie, vous devez présenter un document prouvant la date d'achat ou d'installation.**

Inscrivez les renseignements suivants au sujet de votre gros appareil ménager pour mieux vous aider à obtenir assistance ou service en cas de besoin. Vous devez connaître le numéro de modèle et le numéro de série au complet. Vous trouverez ces renseignements sur la plaque signalétique située sur le produit.

Nom du marchand \_\_\_\_\_

Adresse \_\_\_\_\_

Numéro de téléphone \_\_\_\_\_

Numéro de modèle \_\_\_\_\_

Numéro de série \_\_\_\_\_

Date d'achat \_\_\_\_\_

**W10110724C**

© 2008. All rights reserved.  
Tous droits réservés.

® Registered Trademark/TM Trademark of KitchenAid, U.S.A., KitchenAid Canada licensee in Canada  
® Marque déposée/TM Marque de commerce de KitchenAid, U.S.A., Emploi sous licence par KitchenAid Canada au Canada

11/08  
Printed in China  
Imprimé en Chine