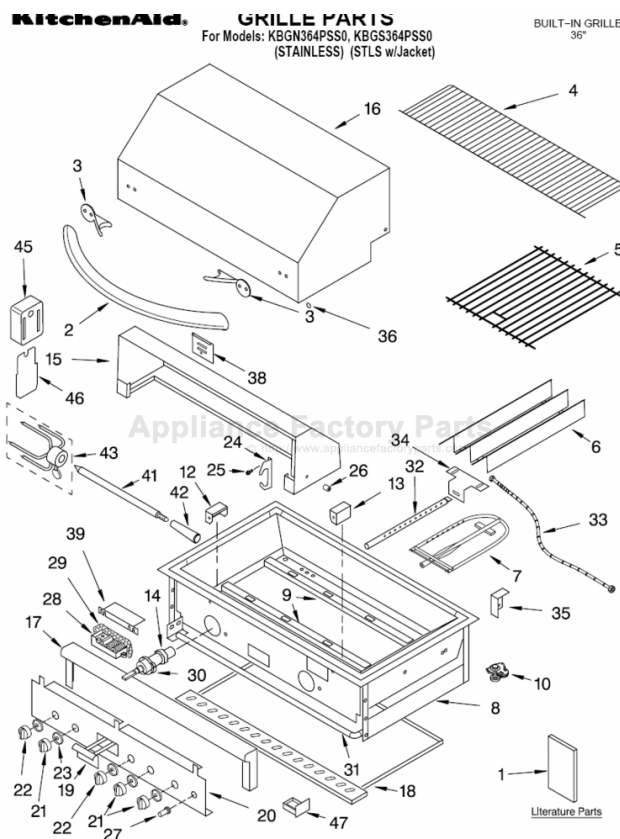


This Owner's Manual is provided and hosted by [Appliance Factory Parts](http://Appliance Factory Parts).



# KITCHENAID KBGS364PSS0 Owner's Manual

[Shop genuine replacement parts for KITCHENAID  
KBGS364PSS0](#)

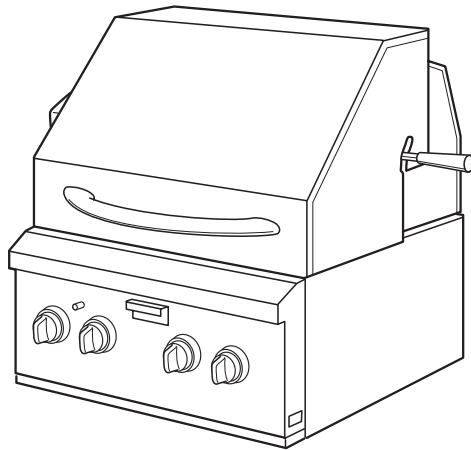


[Find Your KITCHENAID Grill Parts - Select From 200 Models](#)

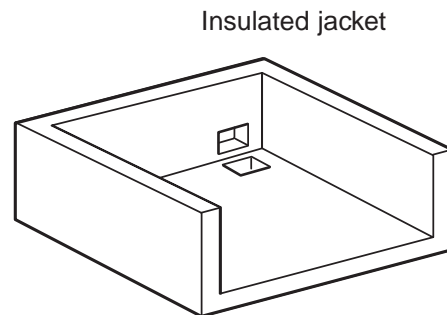
----- Manual continues below -----

# Installation Instructions and Use and Care Guide

## 27" (68.6 cm), 36" (91.4 cm) and 39" (99.1 cm) Outdoor Grills (Built-in — for combustible construction)



27" (68.6 cm)  
with rotisserie shown



Insulated jacket

Models  
KBGS274PSS  
KBGS364PSS  
KBGS292PSS



### IMPORTANT:

Read and save these instructions.

#### IMPORTANT:

**Installer:** Leave Installation Instructions with the consumer.

**Consumer:** Keep Installation Instructions for future reference.

Save Installation Instructions for local electrical inspector's use.

Write the model and serial numbers in space provided below before installing or using outdoor grill. The numbers are stamped on the identification label located on the underside of grill drip tray. It is also located on the model/serial number plate, located on heat shield behind control panel close to the smoker box.

Model # \_\_\_\_\_

Serial # \_\_\_\_\_

### Quick Reference

#### Table of Contents:

Pages

<b>2</b>	Before you start
<b>4</b>	Product dimensions
<b>4</b>	Built-In installation dimensions
<b>5</b>	Gas supply requirements
<b>5</b>	Rotisserie electrical requirements
<b>6 - 7</b>	Installation steps
<b>7</b>	Checking/adjusting burners
<b>8 - 10</b>	Use and Care Information
<b>10 - 12</b>	Grilling tips & chart
<b>13</b>	Rotisserie tips & chart
<b>14 - 15</b>	Cleaning
<b>16</b>	Warranty
<b>17 - 18</b>	Requesting Assistance or Service

**KitchenAid**<sup>®</sup>  
FOR THE WAY IT'S MADE<sup>®</sup>

Part No. 9758067

# Before you start...

## Your safety and the safety of others are very important.

We have provided many important safety messages in this manual and on your appliance. Always read and obey all safety messages.



This is the safety alert symbol. This symbol alerts you to potential hazards that can kill or hurt you and others.

All safety messages will follow the safety alert symbol and either the word "DANGER" or "WARNING". These words mean:

## DANGER

You can be killed or seriously injured if you don't **immediately** follow instructions.

## WARNING

You can be killed or seriously injured if you don't follow instructions.

All safety messages will tell you what the potential hazard is, tell you how to reduce the chance of injury, and tell you what can happen if the instructions are not followed.

## FOR YOUR SAFETY

### If you smell gas:

1. Shut off gas to the appliance.
2. Extinguish any open flame.
3. Open lid.
4. If odor continues, immediately call your gas supplier or your fire department.

## FOR YOUR SAFETY

1. Do not store or use gasoline or other flammable vapors and liquids in the vicinity of this or any other appliance.
2. An L.P. cylinder not connected for use shall not be stored in the vicinity of this or any other appliance.

## IMPORTANT SAFETY INSTRUCTIONS

1. Do not install built-in grills in or on a recreational vehicle, portable trailer, boat or in any other moving installation.
2. Always maintain minimum clearances from combustible construction, see "Location requirements" section.
3. The outdoor cooking gas appliance shall not be located under overhead combustible construction.
4. This outdoor cooking gas appliance shall be used only outdoors and shall not be used in a building, garage, or any other enclosed area.
5. Keep any electrical supply cord and fuel supply hose away from any heated surfaces.
6. Keep outdoor cooking and appliance area clear and free from combustible materials, gasoline and other flammable vapors and liquids.
7. Do not obstruct the flow of combustion and ventilation air. Keep the ventilation openings of the cylinder enclosure free and clear from debris.
8. Inspect the gas cylinder supply hose before each use of the grill. If the hose shows excessive abrasion or wear, or is cut, it **MUST** be replaced before using the grill. Contact your dealer and use only replacement hoses specified for use with the grill.
9. Visually check the burner flames. They should be blue. Slight yellow tipping is normal for L.P. gas.
10. Check and clean burner/venturi tube for insects and insect nest. A clogged tube can lead to fire under the grill.
11. The L.P. gas supply cylinder to be used must be:
  - constructed and marked in accordance with the Specification for L.P. Gas Cylinders of the U.S. Department of Transportation (DOT) or the National Standard of Canada, CAN/CSA-B339, Cylinders, Spheres, and Tubes for Transportation of Dangerous Goods; and Commission.
  - provided with a listed overfilling prevention device.
  - provided with a cylinder connection device compatible with the connection for outdoor grill appliances.
12. Always check connections for leaks each time you connect and disconnect the L.P. gas supply cylinder. See "Installation Instructions" section.
13. When the outdoor cooking gas appliance is not in use, the gas must be turned off at the supply cylinder.
14. Storage of an outdoor gas grill appliance indoors is permissible only if the cylinder is disconnected and removed from the outdoor gas grill.
15. Cylinders must be stored outdoors and out of the reach of children and must not be stored in a building, garage, or any other enclosed area.
16. The pressure regulator and hose assembly supplied with the outdoor gas grill must be used. Replacement pressure regulator and hose assembly part number listed in the "Installation Instructions" section.
17. The cylinder supply system must be arranged for proper vapor withdrawal.
18. Gas cylinder must include a collar to protect the cylinder valve.

**WARNING: If the information in this manual is not followed exactly, a fire causing death or serious injury may occur.**

If the following information is not followed exactly, a fire causing death or serious injury may occur.

- Do not store a spare LP-gas cylinder under or near this grill.
- Never fill the cylinder beyond 80 percent full.

## IMPORTANT:

This grill is manufactured for outdoor use only.

For grills that are to be used at elevations above 2000 feet, orifice conversion is required. See "Gas supply requirements" section.

It is the responsibility of the installer to comply with the minimum installation clearances specified on the model/serial rating plate. The model/serial rating plate can be found on the heat shield behind control panel, close to smoker box.

Copies of the standards listed may be obtained from:

National Fire Protection Association  
One Batterymarch Park  
Quincy, Massachusetts 02269  
CSA International  
8501 East Pleasant Valley Rd.  
Cleveland, Ohio 44131-5575

The California Safe Drinking Water and Toxic Enforcement Act requires the Governor of California to publish a list of substances known to the State of California to cause cancer, birth defects, or other reproductive harm, and requires businesses to warn of potential exposure to such substances.

**WARNING:** This product contains a chemical known to the State of California to cause cancer, birth defects, or other reproductive harm.

This appliance can cause low-level exposure to some of the substances listed, including benzene, crystalline silica, carbon monoxide, toluene, and soot.

In the State of Massachusetts, the following installation instructions apply:

- Installations and repairs must be performed by a qualified or licensed contractor, plumber, or gasfitter qualified or licensed by the State of Massachusetts.
- If using a ball valve, it shall be a T-handle type.
- A flexible gas connector, when used, must not exceed 3 feet.

## Tools and parts needed for Built-in (combustible construction) installations

- level
- small flat-blade screwdriver
- flat-blade screwdriver
- Phillips screwdriver
- tape measure or ruler
- slip-joint pliers
- pipe wrench
- scissors or cutting pliers to remove tiedowns

Materials required:

- gas line shutoff valve
- 1/2" male pipe thread nipple for connection to pressure regulator
- L.P. gas-resistant pipe-joint compound
- AGA or CSA design-certified flexible stainless steel appliance connector [4-5 ft. (1.2-1.5 m)] or rigid gas supply line as needed
- non-corrosive leak detection solution

## Parts supplied

- convertible regulator is set for 4" W.C. natural gas

## Parts needed

The built-in grills are manufactured for use with natural gas.

To convert to L.P./propane gas, Gas Conversion Kit no. 4396311 must be used. Follow Instructions included with kit.

## Location requirements

### **! WARNING**



#### **Explosion Hazard**

**Do not store fuel tank in a garage or indoors.**

**Do not store grill with fuel tank in a garage or indoors.**

**Failure to follow these instructions can result in death, explosion, or fire.**

### **! WARNING**



#### **Fire Hazard**

**Do not use grill near combustible materials.**

**Do not store combustible materials near grill.**

**Doing so can result in death or fire.**

Select a location that provides minimum exposure to wind and traffic paths. The location should be away from strong draft areas.

Do not obstruct flow of combustion and ventilation air.

### **! WARNING**



#### **Fire Hazard**

**Do not install this grill on or near combustible materials.**

**Doing so can result in death or fire.**

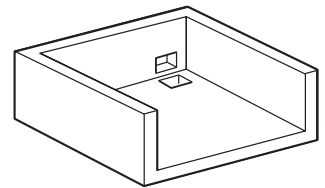
Clearance to combustible construction for built-in (combustible construction) grills:

A minimum of 12" (30.5 cm) must be maintained between the grill hood, sides and back and any combustible construction.

#### **Rotisserie**

If your model is equipped with a rotisserie, 6" (15.2 cm) minimum clearance on each end is needed for the motor and skewer.

A grounded, 3-prong outlet located to the left of the grill is required. (See "Electrical requirements" section.)



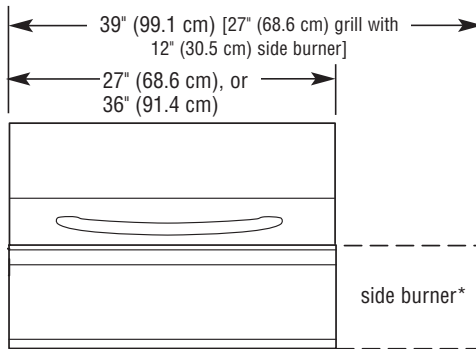
#### **Insulated Jacket**

Built-in grill for use in a combustible enclosure, also includes an insulated jacket.

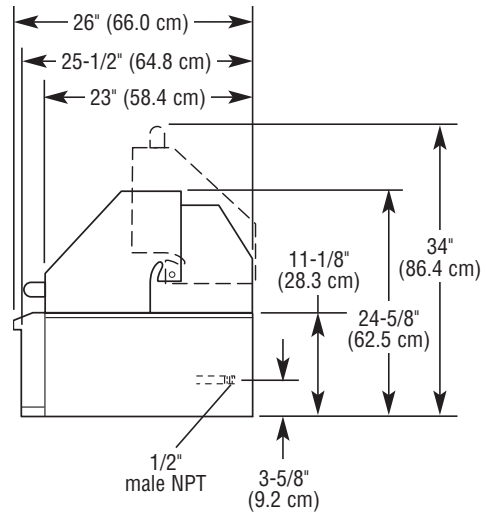
Clearance to combustible construction for built-in (combustible construction) grills:

A minimum of 12" (30.5 cm) must be maintained between the grill hood, sides and back and any combustible construction.

# Product Dimensions



\*Not all models have side burner or side trays.



**⚠ WARNING**

**Fire Hazard**

Do not install this grill on or near combustible materials. Doing so can result in death or fire.

# Built-in with Insulation Jacket Installation Dimensions (combustible enclosure)

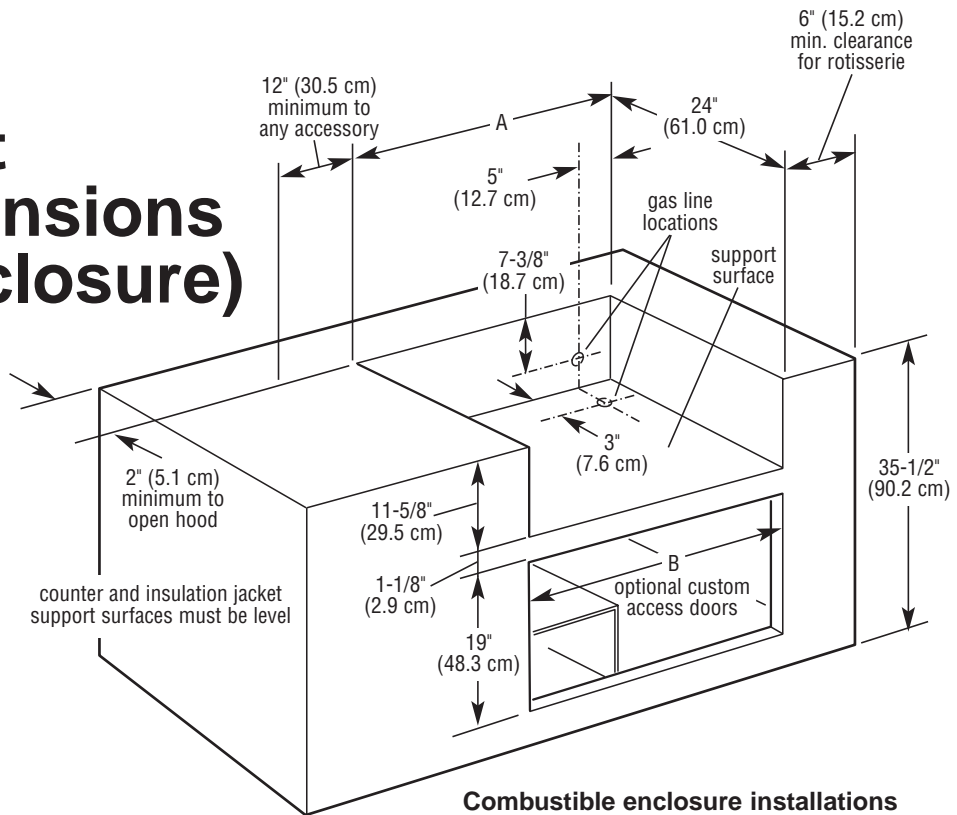
Enclosure and clearance dimensions that are shown must be used. Given dimensions provide required clearances.

The installation of this grill must conform with the current standards CSA-Z21.58a-1998\*, or with local codes.

For installations in a combustible enclosure, the insulation jacket provided with the grill must be used. A ledge on each side or a full deck beneath the jacket must support the Insulation Jacket.

Copies of the standards listed may be obtained from:

\* CSA International  
8501 East Pleasant Valley Rd.  
Cleveland, Ohio 44131-5575



**Combustible enclosure installations**

Grill size	A	B
27" (68.6 cm)	33" (83.8 cm)	25-1/4" (64.1 cm)
36" (91.4 cm)	42" (106.7 cm)	34-1/4" (87.0 cm)
39" (99.1 cm)	45" (114.3 cm)	37-1/4" (94.6 cm)

# Gas supply requirements

Observe all governing codes and ordinances.

**IMPORTANT:** Grill must be connected to a regulated gas supply.

- Input ratings shown on the model/serial rating plate are for elevations up to 2,000 feet (610 m). For elevations above 2,000 feet (610 m), ratings are reduced at a rate of 4% for each 1,000 feet (305 m) above sea level. Orifice conversion is required. Contact KitchenAid Assistance Center.

- Refer to the model/serial rating plate for information on the type of gas that can be used. If this information does not agree with the type of gas available, check with your local gas supplier.

No attempt shall be made to convert the grill from the gas specified on the model/serial rating plate for use with a different gas type without consulting the serving gas supplier. The conversion kits specified must be used.

## Line pressure testing:

Testing above 1/2 psi (3.5 kPa) or 14 inches (35.5 cm) W.C. (gauge)

The grill and its individual shutoff valve must be disconnected from the gas supply piping system during any pressure testing of that system at test pressures greater than 1/2 psig (3.5 kPa).

Testing below 1/2 psi (3.5 kPa) or 14 inches (35.5 cm) W.C. (gauge) or lower

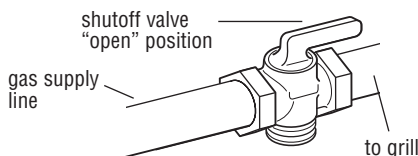
The grill must be isolated from the gas supply piping system by closing its individual manual shutoff valve during any pressure testing of the gas supply piping system at test pressures equal to or less than 1/2 psig (3.5 kPa).

## Built-in Grills – combustible construction

### Natural Gas:

Built-in grill models are equipped for use with Natural gas. They are design-certified by CSA International for L.P. (propane or butane) gases with appropriate conversion.

Built-in models are set for natural gas use and have a pressure regulator with 1/2" female pipe threads.



The supply line shall be equipped with an approved shutoff valve. This valve should be located in the same area as the grill and should be in a location that allows ease of opening and closing. Do not block access to the shutoff valve. The valve is for turning on or shutting off gas to the appliance.

### L.P. gas conversion from a local L.P. gas supply:

Conversion must be made by a qualified gas technician. The qualified natural gas technician shall provide the L.P. gas supply to the selected grill location in accordance with the National Fuel Gas Code NFPA 54 and local codes. To convert to L.P. gas, the L.P. Gas Conversion Kit No. 4396311 must be used. Follow Instructions included with kit.

### L.P. gas conversion using a L.P. fuel tank:

To convert to L.P. gas, the L.P. Gas Conversion Kit No. 4396311 must be used. Follow Instructions included with kit.

A L.P. gas cylinder, not larger than 20 pounds, must be purchased separately.

### NATURAL GAS:

Set pressure 4 inches (10.2 cm) W.C.  
Supply pressure 7-14 inches  
17.8 cm to 35.5 cm) W.C. maximum.

### L.P. GAS:

Operating pressure:  
11 inches (27.9 cm) W.C.

Supply pressure: 11 to 14 inches  
(27.9 to 35.5 cm) W.C.

# Rotisserie electrical requirements

## ⚠ WARNING



**Electrical Shock Hazard**  
**Plug into a grounded 3-prong outlet.**  
**Do not remove ground prong.**  
**Do not use an adapter.**  
**Do not use an extension cord.**  
**Failure to follow these instructions can result in death, fire, or electrical shock.**

If codes permit and a separate ground wire is used, it is recommended that a qualified electrician determine that the ground path is adequate.

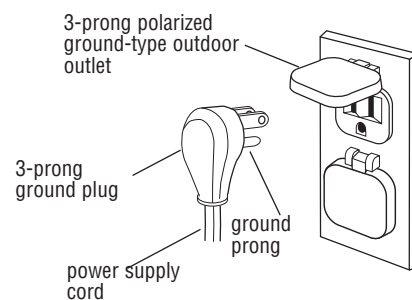
Check with a qualified electrician if you are not sure whether the grill is properly grounded.

Do not ground to a gas pipe.

A 120-volt, 60-Hz, AC-only, 15-ampere, electrical supply is required.

## Recommended ground method

A grounded 3-prong outdoor outlet grounded in accordance with the National Electrical Code ANSI/NFPA 70\*\* or Canadian Electrical Code (C22.1\*) — and local codes and ordinances.



Copies of the standards listed above may be obtained from:

\* CSA International  
8501 East Pleasant Valley Rd.  
Cleveland, Ohio 44131-5575

\*\* National Fire Protection Association  
One Batterymarch Park  
Quincy, Massachusetts 02269

# Installation Instructions — Built-In Outdoor Grill (combustible construction)

## ! WARNING



### Fire Hazard

Do not install this grill on or near combustible materials. Doing so can result in death or fire.

**IMPORTANT:** The built-in grill for use in a combustible enclosure, also includes an insulated jacket which must be used for proper installation. See Page 4 for cutout dimensions.

## ! WARNING



### Fire Hazard

Do not use grill near combustible materials. Do not store combustible materials near grill. Doing so can result in death or fire.

## ! WARNING

### Excessive Weight Hazard

Use two or more people to move and install grill. Failure to do so can result in back or other injury.

## Natural Gas Use

This installation must conform with local codes and ordinances\*\*. In the absence of local codes, installations must conform with either the National Fuel Gas Code ANSI Z223.1, or CAN/CGA-B149.1\* Natural Gas and Propane installation code.

**1.** Place grill and insulated jacket into the enclosure, but leave enough room between back of grill and insulated jacket to connect to gas supply.

## ! WARNING



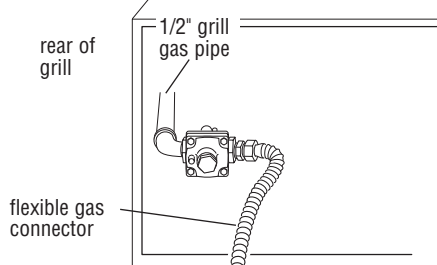
### Explosion Hazard

Securely tighten all gas connections. If connected to LP, have a qualified person make sure gas pressure does not exceed 11" (28 cm) water column. Examples of a qualified person include: licensed heating personnel, authorized gas company personnel, and, authorized service personnel. Failure to do so can result in death, explosion, or fire.

**2.** Make gas connections.

A combination of pipe fittings must be used to connect the grill to the existing gas line.

- If local codes permit, use a flexible stainless steel tubing gas connector, design-certified by AGA or CSA International, to connect the grill to the rigid gas supply line. 5/8" diameter line is recommended. Using a wrench to tighten, connect the gas supply to the grill. Use pipe joint compound on all non-flared male threads. Do not kink or damage the flexible connector when moving the grill.
- Pipe-joint compounds suitable for use with L.P. gas must be used. Do not use Teflon® tape.

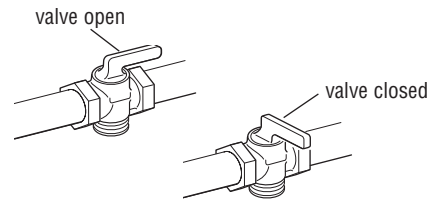


Copies of the standards listed may be obtained from:

\* CSA International  
8501 East Pleasant Valley Rd.  
Cleveland, Ohio 44131-5575

\*\* for local codes, contact your local building inspector

**3.** Open shutoff valve in the gas supply line. The valve is open when the handle is parallel to the gas pipe.



**4.** Test all connections by brushing on an approved non-corrosive leak-detection solution. Bubbles will show a leak. Correct any leak found.

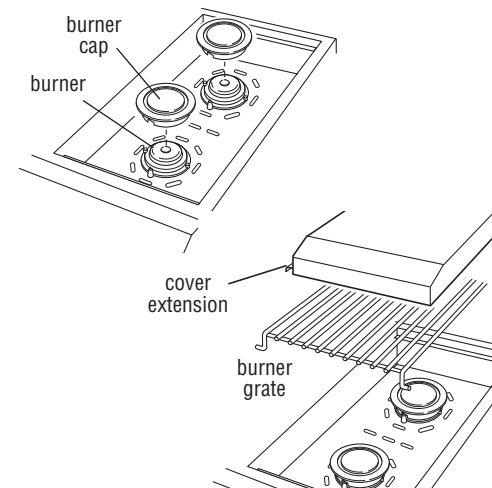
**5.** Open the hood.

**6.** For models equipped with rotisserie, remove the rotisserie's skewer from the grill.

**7.** For models with side burners. Remove side burner cover from the top of the carton that is located on the grill grate. Remove bubble wrap from side burner cover and set aside.

Open carton located on the grill grate. Remove side burner grate, unwrap and set aside.

Remove burners and burner caps from carton and unwrap. Install each set of burners and caps inside the side burner cavity as shown.



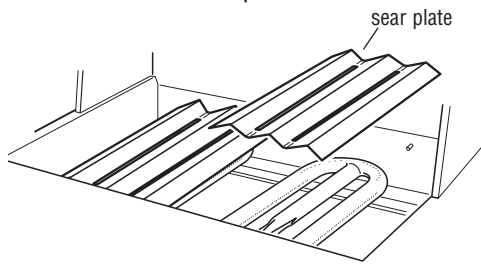
Install side burner grate and cover (with extension toward grill) as shown.

Properly dispose of all packing material.

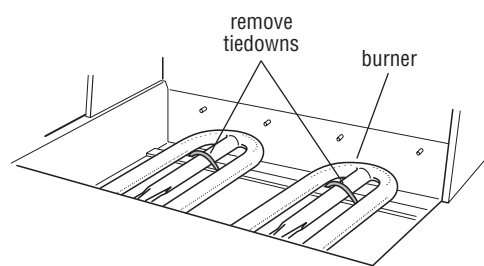
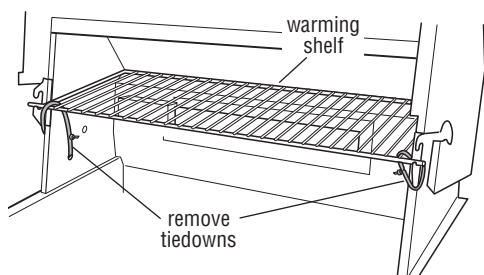
® Teflon is a registered trademark of E.I. Du Pont de Nemours and Company.

**8.** Carefully lift grill grates off of grill area and set aside.

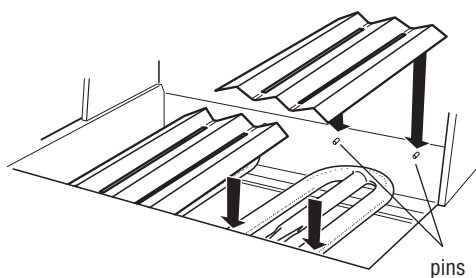
**9.** Remove sear plates and set aside.



**10.** Remove tiedowns from burners and warming shelf.



**11.** Reinstall sear plates. Make sure sear plates are resting on pins.



**12.** Carefully slide grill completely into outdoor enclosure.

**13.** Now go to the "Checking and Adjusting Burners Section."

## Checking and adjusting the burners

The burners are tested and factory-set for most efficient operation. However, variations in gas supply and other conditions may make minor adjustments to air shutter or low flame setting necessary. Adjustments must be done by a qualified service technician.

**NOTE:** No adjustment can be made to the rotisserie burner (not used on all models) or smoker tray burner(s).

Checking and adjusting the grill burner flames requires removing the grate and sear plates.

### Sear burner flame characteristics:

The flames of the grill burners and surface burners (not used on all models) should be blue and stable with no excessive noise or lifting (L.P./propane gas flames will have a slightly yellow tip). A yellow flame indicates not enough air. If flame is noisy or lifts away from the burner, there is too much air. Some yellow tips on flames when the burner is set to HI setting are acceptable as long as no carbon or soot deposits appear.

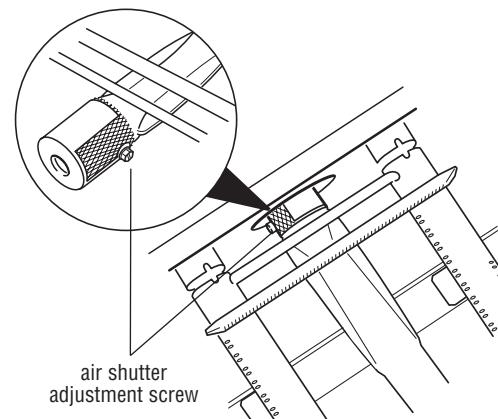
Check that burners are not blocked by dirt, debris, insect nests, etc. and clean as necessary. If they are clean, adjust air shutters as needed.

**IMPORTANT:** Before adjusting air shutters, let burners cool down.

### Adjusting the air shutters:

1. Light grill using information in the "Lighting the grill" section.
2. Observe flame to determine which burners need adjustment and how the flame is acting. See "Sear burner flame characteristics" above.
3. Turn off the valve and wait until grill and burners are cool.
4. Remove grill grates, sear plates.
5. Remove burner and loosen air shutter adjustment screw.
  - a. If flame is yellow (not enough air), turn air shutter counter-clockwise.
  - b. If flame is noisy or lifts away from burner (too much air), turn air shutter clockwise.

Adjustment should be from 1/8" to 1/4".



6. Tighten air shutter adjustment screw.
7. Replace burner sear plates and grates.
8. Ignite burner to check flames. See "Sear burner flame characteristics."

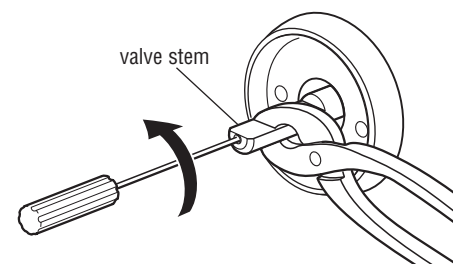
Repeat Steps 1 through 8 above if needed.

Only adjust the burners that need adjustment.

### Low flame adjustment:

If flame goes out on the "LO" setting, the low flame setting must be adjusted.

1. Turn off the valve and wait until grill and burners are cool.
2. Remove grill grates, sear plates.
3. Light grill using information in the "Lighting the grill" section.
4. Turn burner to its lowest setting and remove knob.
5. Hold valve stem with pliers and insert a thin flat-blade screwdriver into the shaft.
6. Watch the flame and slowly turn the screwdriver counter-clockwise.
7. Adjust flame to minimum stable flame.



8. Replace the control knob and turn off the burner.
9. Repeat Steps 3 through 8 for each burner if needed.
10. Replace the sear plates and grates after the burners have cooled.

# Grill Use

## ! WARNING



### Explosion Hazard

Do not store fuel tank in a garage or indoors.

Do not store grill with fuel tank in a garage or indoors.

Failure to follow these instructions can result in death, explosion, or fire.

## ! WARNING



### Fire Hazard

Do not use grill near combustible materials.

Do not store combustible materials near grill.

Doing so can result in death or fire.

## ! WARNING

### Food Poisoning Hazard

Do not let food sit for more than one hour before or after cooking.

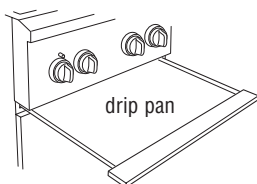
Doing so can result in food poisoning or sickness.

## Using your Grill

### Prepare the gas supply

1. Open the hood completely. Do not light burners with the hood closed.

2. Make sure control knobs are turned to OFF. The drip pan must be in place and pushed all the way to the back.



3. Turn the gas supply on:

- For grills using an L.P./ propane gas cylinder:

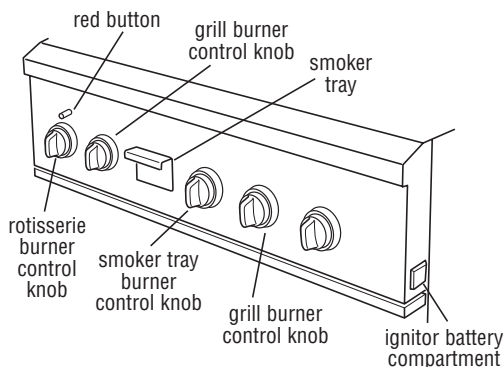
Slowly open the cylinder valve; do not “snap” open.

**NOTE:** If flow limiting device does activate, your grill may not light. If your grill does light, the flames will be low and will not heat properly. Turn cylinder valve and all control knobs off and wait 30 seconds. After shutting off the cylinder, very slowly open cylinder valve and wait 5 seconds before lighting.

- For grills using gas supply source other than L.P. gas cylinder:

Turn the shut off valve to open position from the front of gas supply line.

### Lighting the grill



1. Do not lean over burners. Push in and turn to “LITE” the control knob for the burner you wish to use.

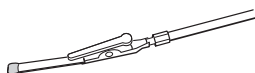
You will hear the “snapping” sound of the spark. When burner is lit, turn knob away from “LITE” to desired setting. Repeat for each of the other burners as needed.

### IMPORTANT:

If burner does not light immediately, turn the burner knob to “OFF” and wait 5 minutes before relighting.

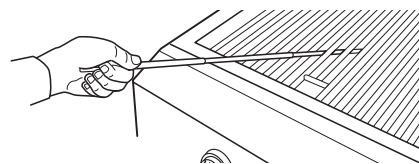
### Manually lighting main grill burners

1. Remove the manual lighting extension from inside the drip tray.
2. Attach a match to the clip.



3. Strike the match to light it.

4. Carefully guide the lit match between the grill grate and one of the slots in the sear plate.



5. Push in and turn the burner knob to “LITE” for the burner closest to the lit match. The burner will light immediately. When burner is lit, turn knob away from “LITE” to desired setting .

6. Repeat steps 2 through 5 for each main burner.

7. Replace manual lighting extension inside the drip tray.

### IMPORTANT:

If burner does not light immediately, turn the burner knob to “OFF” and wait 5 minutes before relighting.

If any burners do not light after attempting to manually light them, contact the KitchenAid Assistance Center.

## Using the side burner

## ! WARNING



### Burn Hazard

Do not let the burner flame extend beyond the edge of the pan.

Doing so can result in burns.

Remove side burner cover. Do not light burners with the cover on.

### Lighting the side burner

1. Do not lean over burners. Push in and turn to “LITE” the control knob for the burner you wish to use.

You will hear the “snapping” sound of the spark. When burner is lit, turn knob away from “LITE” to desired setting. Repeat for each of the other burners as needed.

### IMPORTANT:

If burner does not light immediately, turn the burner knob to “OFF” and wait 5 minutes before relighting.

## Manually lighting the burners

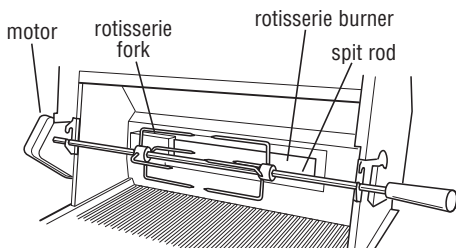
1. Use a paper match to light the burners.
2. Push in and turn the burner knob to "LITE" for the burner closest to the lit match. The burner will light immediately. When burner is lit, turn knob away from "LITE" to desired setting

### IMPORTANT:

If burner does not light immediately, turn the burner knob to "OFF" and wait 5 minutes before relighting.

If any burners do not light after attempting to manually light them, contact the KitchenAid Assistance Center.

## Using the rotisserie

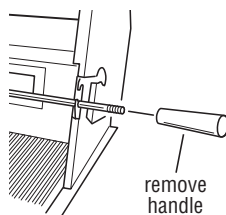


For best cooking results, do not use main grill burners when using the rotisserie.

The rotisserie system is designed to cook food from the rear using intense, searing infrared heat.

1. Remove warming shelf.
2. Mount rotisserie motor on the grill's mounting bracket. Position it securely into support bracket slots.
3. To load the spit rod, slide one of the rotisserie forks onto the spit rod with prongs facing away from handle.
4. Push spit rod through the center of the food, then slide second rotisserie fork into position.
5. Center the food and rotisserie forks on spit rod and tighten wing nuts on the rotisserie forks. If necessary, secure loose food portions with butcher's string only.
6. Once the food is positioned on spit rod, place pointed end of rod into rotisserie motor and lower spit rod onto supports at either side of the grill.

**IMPORTANT:** On Model KBGS292PSS, remove the handle from the spit rod when using the side burner. The handle will get "HOT" and failure to remove it will cause the handle to crack and melt.



7. Plug single-prong plug into rotisserie motor.

## WARNING



**Electrical Shock Hazard**  
Plug into a grounded 3-prong outlet.  
Do not remove ground prong.  
Do not use an adapter.  
Do not use an extension cord.  
Failure to follow these instructions can result in death, fire, or electrical shock.

8. Plug 3-prong plug into a grounded 3-prong outlet.

To avoid product damage when not using the rotisserie, remove motor and store indoors. Remove spit rod and forks. Store out of reach of children.

## Lighting the rotisserie burner

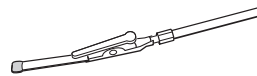
1. Push in and turn rotisserie burner knob to "LITE". You will hear a "snapping" sound.
2. Push the red button in.
3. When rotisserie burner lights, continue pressing the red button for another 5 to 10 seconds, and turn knob away from "LITE" to "HI".

### IMPORTANT:

If the rotisserie burner does not light immediately, turn the burner knob to "OFF", wait 5 minutes before relighting.

## Manually lighting rotisserie burner

1. Remove the manual lighting extension from inside the drip tray.
2. Attach a match to the clip.
3. Strike the match to light it.
4. Carefully hold the lit match close to the rotisserie burner.



5. Push in and turn the rotisserie burner control knob to "LITE".
6. Push in the red button above the rotisserie burner control knob, the burner will light immediately. Hold this button in for 5 to 10 seconds, and turn

knob away from "LITE" to "HI".

7. Replace manual lighting extension inside the drip tray.

### IMPORTANT:

If the rotisserie burner does not light immediately, turn the rotisserie burner control knob to "OFF" and wait 5 minutes before relighting.

## Using the smoker box

## WARNING

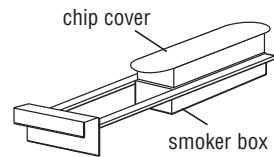


### Burn Hazard

Do not remove the smoker box when grill is hot.  
Doing so can result in burns.

The smoker tray is designed for easy use. After deciding which wood chips to use, follow the instructions on wood chip packaging. Small size chips or pellets are recommended.

1. Slide box and chip cover out of smoker compartment.
2. Remove cover from box. Turn cover over and fill with prepared chips.



3. Turn smoker box over and place over chip cover. Hold cover and box together and turn right side up.
4. Slide box and cover back into smoker compartment after lighting the smoker burner.

Light the smoker burner 5 minutes ahead of time to start it smoking. The specially-designed smoker will smoke the food while the grill burners or rotisserie cooks it. Keeping the hood closed as much as possible will maximize the smoking effect.

## Lighting the smoker burner

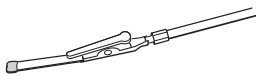
1. Push in and turn smoker burner knob to "LITE". You will hear a "snapping" sound.
2. When smoker burner lights, turn knob away from "LITE" to "HI".

### IMPORTANT:

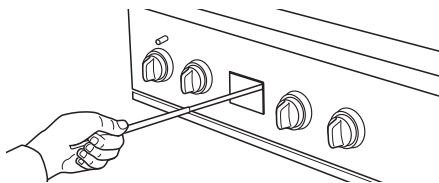
If the smoker burner does not light immediately, turn the burner knob to "OFF", wait 5 minutes before relighting.

## Manually lighting smoker burner

1. Remove smoker tray.
2. Remove the manual lighting extension from inside the drip tray.
3. Attach a match to the clip.



4. Strike the match to light it.
5. Carefully guide the lit match into the smoker chamber area where the tray was removed.



6. Push in and turn the knob for the smoker burner to "LITE", the burner will light immediately. When the burner is lit, turn knob away from "LITE" to "HI".
7. Replace smoker tray.
8. Replace manual lighting extension inside the drip tray.

### IMPORTANT:

If the smoker burner does not light immediately, turn the burner knob to "OFF", wait 5 minutes before relighting.

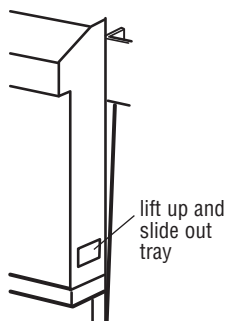
Always allow box to cool before removal or cleaning.

## Grill Care

### Replacing the igniter battery

Your model may have one or two igniter batteries. If igniters stop sparking, the battery (or batteries) should be replaced.

1. Lift up at bottom of battery tray and slide battery tray out.
2. Remove battery (or batteries) and replace with alkaline 9-volt battery (or batteries).
3. Slide battery tray back into compartment.



## Grilling Tips

### ⚠ WARNING

#### Food Poisoning Hazard

Do not let food sit for more than one hour before or after cooking. Doing so can result in food poisoning or sickness.

### Before Grilling

- Thaw food items before grilling.
- Preheat grill on high (use all grill burners) 7-10 minutes. The hood must be closed during preheating. Do not use back rotisserie burner for preheating. Preheating provides the high heat needed to brown and seal the juices.
- Shorten the preheat time when grilling high-fat cuts of meat or poultry, such as chicken thighs. This will help reduce flare-ups.
- Lightly oil the grill or the food when cooking low-fat cuts of meat, fish or poultry, such as lean hamburger patties, shrimp or skinless chicken breasts.
- Too much oil can cause gray ash to deposit on food.
- Trim excess fat from meats prior to cooking to prevent flare-ups.
- Make vertical cuts at 2" intervals around the fat edge of meat to help prevent the meat from curling while cooking.
- Add seasoning or salt only after the cooking is finished.

### During Grilling

- Turn foods only once. Juices are lost when meat is turned several times.
- Turn meat just when juices begin to appear on the surface.
- Avoid puncturing or cutting the meats to test doneness. This allows juices to escape.
- It may be necessary to lower the heat setting for foods that cook a long time or are marinated or basted in a sugary sauce.
- If using a high flame, add barbecue sauce only during the last 10 minutes of cooking to avoid burning the sauce.
- The degree of doneness is influenced by the type of meat, cut of meat (i.e. size, shape and thickness), heat setting selected, and length of time on the grill.
- With the grill cover open the cooking time will be longer.

## Smoker Box

The smoker box is a tray that holds wood chips or pellets that provide a smoky flavor when foods are cooked on the grill or rotisserie. For best results the hood should be down for most of the cooking time.

- The amount and size of chips and length of cooking time determine the degree of smoke flavor.
- When using wood chips or wood pellets always follow the package directions. For increased smoking, soak chips in water prior to placing in the smoker box.

### Guide to Wood Chips or Pellets:

*Alder*: A medium, tart smoke taste. Superb on salmon and other fish, chicken or game.

*Maple*: Sweet, hearty smoke flavor. Best with fish, jerky or bacon.

*Apple*: A light, sweet flavor. Superb with poultry, ham or sausage.

*Hickory*: Heavy smoke flavor. Best with beef, pork or game.

*Mesquite*: A light smoke flavor. Best with fish, poultry or beef.

*Oak*: Heavy smoke flavor. Best with beef, lamb or pork.

*Pecan*: A rich, sweet, versatile flavor. Can be used with anything.

*Grapevine*: A strong smoke flavor. Best with beef or poultry.

## Cooking Methods

### Direct Heat

Cooking by Direct Heat means the food is placed on grill grates directly above lighted burners. Hood position affects total cooking time.

Direct Heat sears the food. Searing is a process that seals natural juices in food by cooking with intense heat for a short period of time. While juices stay inside, the outside is browned with a flavorful grilled coating.

### Indirect Heat

For best results, do not select the Indirect Heat cooking method when it is windy.

Cooking by Indirect Heat means the food is placed on the grill grate above an unheated burner, allowing heat from lighted burner(s) on either side to cook the food.

If possible, turn on two burners. Cook with the hood down. This will shorten the cooking time.

## Indirect Cooking

Place food only on the grill grate over the OFF burners.

	Burner			
	1	2	3	4
27" grill	ON	OFF	—	—
36" grill	ON	OFF	ON	—

# Grilling Chart

- Knobs have High, Medium and Low setting for flame adjustment.
- Heat settings indicated are approximate.
- Grilling time based on heating two adjacent burners with food placed on grate between burners (Direct).
- Timings are affected by weather conditions.
- Remove excess fat from edge of chops and steaks. Score remaining fat at 2-inch intervals to prevent curling.
- When 2 temperatures are provided, example: Medium to Medium-Low, start with the first and adjust to how it is cooking.
- Cooking times may vary from chart times depending on the type of fuel, natural gas or L.P.

Food	Cooking Method/ Burner Setting	Time	Special Instructions
<b>Beef</b>			
Hamburgers 1/2 to 3/4 inch thick	DIRECT Medium	Medium (160°F) 10-15 minutes total	Grill, turning once.
Roasts Rib Eye, Sirloin	INDIRECT Medium/OFF/Medium	Med-Rare (145°F) to Medium (160°F) 32-40 minutes per lb.	Tent with foil first 45-60 minutes of cooking time.
Steaks Porterhouse, Rib T bone, Top Loin Sirloin 1 inch	DIRECT Medium	Med-Rare (145°F) to Medium (160°F) 11-16 minutes total	Rotate steaks 1/4 turn to create criss-cross grill marks.
Porterhouse, Rib T bone, Top Loin Sirloin 1-1/2 inch	DIRECT Medium	Med-Rare (145°F) to Medium (160°F) 18-25 minutes total	
Top Round or Shoulder/Chuck (London Broil) 1-1/2 inch thick	DIRECT Medium	Med-Rare (145°F) to Medium (160°F) 22-29 minutes total	
Flank 1/2 inch thick	DIRECT Medium	Med-Rare (145°F) 11-16 minutes total	
<b>Pork</b>			
Chops, 1 inch thick	DIRECT Medium to Med-Low	Medium (160°F) 12-20 minutes total	
1-1/2 inch thick	DIRECT Medium to Med-Low	Medium (160°F) 30-40 minutes total	
Ribs 2-1/2 to 4 lbs.	INDIRECT Med/OFF/Med	Medium (160°F) 40-60 minutes total	Grill, turning occasionally. During last few minutes brush with barbecue sauce if desired. When done, wrap in foil 1 hour.
Roast. Boneless Tenderloin 1 lb	DIRECT Medium	Medium (160°F) 18-22 minutes total	Turn during cooking to brown on all sides.
Ham, Half 8 to 10 lbs.	INDIRECT Med/OFF/Med	Reheat (140°F) 2 – 2-1/2 hours total	Wrap entire ham in foil and put on grill without pan or drip pan.
Ham Steak Precooked 1/2 inch thick	DIRECT Preheat Medium Grill Medium	Reheat (140°F) 7-10 minutes total	
Hot Dogs	DIRECT Medium	Reheat (145°F) 5-10 minutes total	Slit skin if desired.

Food	Cooking Method/ Burner Setting	Time	Special Instructions
<b>Chicken</b>			
Breast Boneless	DIRECT Medium	(170°F) 15-22 minutes total	For even cooking, pound to 3/4 inch.
Pieces 2 to 3 lbs.	DIRECT Med-Low to Medium	breast (170°F) thigh (180°F) 18-25 minutes total	Start bone side down.
<b>Lamb</b>			
Chops and Steaks Loin, Rib, Sirloin 1 inch thick	DIRECT Medium	Med-Rare (145°F) to Medium (160°F) 10-20 minutes total	
1-1/2 inches thick	DIRECT Medium	Med-Rare (145°F) to Medium (160°F) 16-20 minutes total	
<b>Fish And Seafood</b>			
Fillets, Steaks, Chunks Halibut, Salmon, Swordfish 8 oz.	DIRECT Medium	4-6 minutes per each 1/2 inch thickness of fish	Grill, turning once. Brush grill with oil to keep from sticking. Remove when inside is opaque and flaky with skin easily removed.
Whole Catfish, Rainbow Trout 8 - 11 ounces	DIRECT High	5-7 minutes per side	Grill, turning once. Brush grill with oil to keep from sticking. Remove when inside is opaque and flaky with skin easily removed.
Shellfish, Scallops, Shrimp	DIRECT Medium	4-8 minutes total	
<b>Turkey</b>			
Whole Breast (bone-in)	INDIRECT HI/OFF/HI	(170°F) 14-18 minutes per lb.	Tent with foil until last 30 minutes of cooking time.
One Half Breast (bone-in)	INDIRECT Medium/OFF/Medium	(170°F) 25-30 minutes per lb.	Start skin side down.
Whole 7 to 12 lb.	INDIRECT HI/OFF/HI	breast (170°F) thigh (180°F) 11-16 minutes per lb.	Less than 11 pounds.
<b>Fresh Vegetables</b>			
Corn on the cob	DIRECT Medium	20-25 minutes total	Soak in cold water 20 min. Do not husk. Shake off excess water.
Eggplant	DIRECT Medium	7-10 minutes total	Wash & cut into 1/2 inch slices or lengthwise. Brush with olive oil.
Onion, 1/2 inch thick	DIRECT Medium	8-20 minutes total	Grill, turning once. Brush with olive oil. Put a skewer through several slices to hold together.
Potatoes Sweet, whole	DIRECT Medium	40-70 minutes total	Wrap individually in heavy-duty foil. Grill, rotating occasionally.
Baking, whole	High	45-90 minutes total	
Peppers, roasted	DIRECT High	15-22 minutes total	Wash and place on grill whole. Char skin all around. Cool in a paper bag or plastic wrap to loosen blackened skin. Peel and remove seeds.
Squash, summer Zucchini	DIRECT Medium	7-10 minutes total	Wash & cut into 1/2 inch slices or lengthwise. Brush with olive oil.
Roasted Garlic	DIRECT Medium	20-25 minutes total	Cut off top, drizzle with olive oil and wrap in double layer of foil.

# Rotisserie Cooking Tips

## ⚠️ WARNING

### Food Poisoning Hazard

Do not let food sit for more than one hour before or after cooking.

Doing so can result in food poisoning or sickness.

(Rotisserie available on some models)

Rotisserie cooking rotates food in front of the rotisserie burner, creating an intense heat for searing the outside and sealing in natural juices.

- The rotisserie burner reaches cooking temperatures in about one minute. Do not preheat when using the rotisserie.
- Select tender meat and poultry. Allow at least 1 inch space between rotisserie burner and the food.
- Rotisserie can be used in combination with the smoker and/or the grill.

- To make cleanup easier, place a pan under the food to catch drippings.
- The cover can be opened or closed, but when using the rotisserie with the smoker the cover should be closed.
- Add barbecue sauce or glaze only during the last 10 minutes of cooking to prevent sauce from burning.

### Trussing Poultry for the Rotisserie

1. Load the spit rod by sliding one of the forks on the rod, with the prongs facing away from the rod handle. Tighten the screw to keep it from slipping.
2. Push the rod through the center of the bird.
3. Cut 24" of kitchen twine and center it under the bird, breast side up.
4. Wrap each end of the twine around the wings; catch each wing tip. Bring the twine tightly together at the top of the breast and knot. Do not cut off the extra twine.
5. Cut another 20 inches of string and lay it under the back of the bird. Wrap it around the tail then around the spit rod, cinching tightly.

6. Cross the legs on top of spit rod; tie twine around the crossed legs.
7. Connect the twine holding the legs to the twine holding the wings and knot. Cut off any bits of hanging twine.
8. Slide the second fork pushing the tines into the drumsticks.
9. Center the food and forks on the rod and tighten the thumbscrews. The bird should not rotate or be loose in any way.

## Rotisserie Chart

- Use a portable meat thermometer to check internal doneness of the item.
- Turn off rotisserie burner when meat thermometer reads 5°F lower than desired internal temperature. Continue rotating, hood closed, for 10 minutes before carving.
- Timing is affected by weather conditions such as wind and outside temperature.

Food	Weight	Internal Doneness or Temperature (°F)	Approximate Grilling Time
<b>Beef</b>			
Roasts	4-6 lbs.	Med-Rare (145°F)	15-20 min. per lb.
Rib Eye		Medium (160°F)	20-25 min. per lb.
Sirloin Tip			
Rib, boneless			
<b>Poultry</b>			
Chicken	3-6 lbs.	breast (170°F) thigh (180°F)	25-30 min. per lb.
Turkey, whole	7-10 lbs.	breast (170°F) thigh (180°F)	11-20 min. per lb.
<b>Lamb</b>			
Boneless Leg	4-7 lbs.	Medium (160°F)	20-25 min. per lb.
<b>Pork</b>			
Loin roast, boneless	4-6 lbs.	Medium (160°F)	20-23 min. per lb.

# Cleaning

## General Cleaning

**IMPORTANT:** Before cleaning, make sure all controls are off and the grill is cool. Always follow label instructions on cleaning products.

For routine cleaning, wash with soap and water using a soft cloth or sponge. Rinse with clean water and dry at once with a soft, lint-free cloth to avoid spots and streaks.

Never use steel wool to clean the grill, as it will scratch the surface.

Use vinyl grill cover, available from your local dealer, to protect finish from weather. See "Accessories" section.

## Stainless Steel

**IMPORTANT:** Do not use soap-filled scouring pads, abrasive cleaners, Cooktop Polishing Creme, steel wool, gritty wash cloths or paper towels.

Cleaners should not contain chlorine. Damage may occur.

Rub in direction of grain to avoid scratching or damaging the surface.

Food spills should be cleaned as soon as entire grill is cool. Spills may cause permanent discoloration.

- Use Stainless Steel Cleaner & Polish (Part No. 4396095). See "Requesting Assistance or Service" section to order.
- Use a mild liquid detergent or all-purpose cleaner according to label instructions.
- Rinse with clean water and dry at once with soft, lint-free cloth to avoid spots and streaks.
- Use vinegar to remove hard water spots. Rinse with water and dry thoroughly.
- Use a glass cleaner to remove fingerprints.

## Grill grates

**IMPORTANT:** Never use a steel or fiber scraper on grill grates.

Immediately after you are finished cooking, loosen food soil with a brass bristle brush. Turn all burners to "HI" for 10-15 minutes with the hood closed to burn off food soil. Turn off all burners, raise the hood and let grates cool. Use the brass bristle brush to remove ash from the grill grates.

When completely cool, grill racks can be removed for thorough cleaning. Clean them with a mild detergent and warm water.

For baked-on soil, prepare a solution of 1 cup (250 mL) ammonia to 1 gallon (3.75 L) water. Soak grates for 20 minutes, then rinse with water and dry completely.

## Warming Shelf

- Use a mild liquid detergent (such as a dish detergent) or an all-purpose cleaner, following the label instructions. Rinse with clean water and dry with soft, lint-free cloth.
- For tough spots or baked-on grease, use Whirlpool Degreaser (Part No. 31552), a commercial degreaser designed for stainless steel. See "Requesting Assistance or Service" section to order.

**IMPORTANT:** Make sure gas supply is off and all control knobs are in the "OFF" position. Make sure the Side Burner is cool.

## Exterior

The quality of this material resists most stains and pitting, providing that the surface is kept clean and protected.

- Apply stainless steel polish to all non-cooking areas before first use. Re-apply after each cleaning to prevent permanent damage to surface.
- Cleaning should always be followed by rinsing with clean warm water.
- Wipe the surface completely dry with a soft cloth.
- For tough spots or baked-on grease, use Whirlpool Degreaser (Part No. 31552), a commercial degreaser designed for stainless steel. See "Requesting Assistance or Service" section to order.

## Interior

Discoloration of stainless steel on these parts is to be expected, due to intense heat from the burners.

- Cleaning should always be followed by rinsing with clean, warm water.
- Use a mild liquid detergent or all-purpose cleaner, following label instructions. Rinse with clean water and dry completely with a soft, lint-free cloth.
- A heavy-duty scrub sponge can be used with mild cleaning products. Always rub in the direction of the grain.
- For small, difficult-to-clean areas, use Whirlpool Degreaser (Part No. 31552), a commercial degreaser designed for stainless steel. See "Requesting Assistance or Service" section to order.

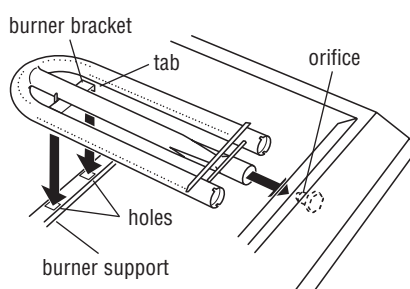
## Side burner caps and grate

- Clean with a brass bristle brush.
- Wash grate using mild detergent, warm water and degreaser.
- Rinse with clean water and dry with soft, lint-free cloth.
- Use Stainless Steel Cleaner & Polish (Part No. 4396095). See "Requesting Assistance or Service" section to order.

## U-shaped burners

- Clean the exterior of the burner with a wire brush.
- Clear any clogged burner ports with a straightened paper clip. Never use a toothpick as it may break off and clog the port.
- Use a flashlight to inspect into the burner through the burner inlet to ensure there is no blockage. If any obstruction is seen, use a metal coat hanger that has been straightened to clear them.

After inspecting the inside of burner for blockage, reassemble burner by sliding the middle tube of burner over orifice. Insert tabs on the burner bracket into the holes in burner support.



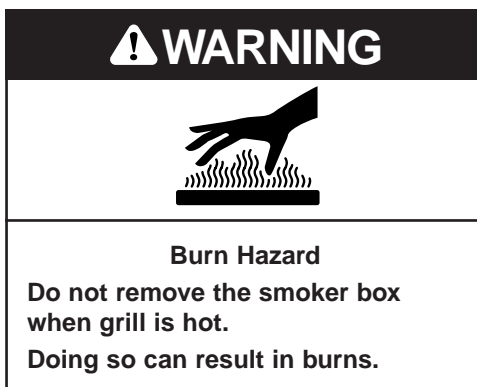
## Drip tray

**IMPORTANT:** The drip tray should only be removed when grill is completely cool.

The full-width drip tray collects grease and food particles that fall through the grill. Remove tray and set on a flat surface.

- Wipe excess grease with paper towels.
- Use mild detergent, warm water. Rinse and dry thoroughly. Replace tray.
- Clean often to avoid grease build-up.

## Smoker box



**IMPORTANT:** After cooking let the grill and smoker box cool completely before cleaning.

- Remove box by sliding it forward. Discard ashes.
- Wash box using a mild liquid detergent or all-purpose cleaner, following the label instructions. Rinse with clean water and dry with soft, lint-free cloth. Replace box.
- Color of smoker box and cover will be altered due to heat generated by the burners and smoking wood chips.

## Knobs, plastic and flange area around knobs

**IMPORTANT:** Do not use steel wool, abrasive cleaners, or oven cleaner.

Do not soak knobs.

- Wash with mild detergent, using a soft cloth and warm water. Rinse and dry.

## Control panel graphics

**IMPORTANT:** Do not use steel wool, abrasive cleaners or oven cleaner.

Do not spray cleaner directly onto panel.

Clean around the burner labels gently; scrubbing may remove printing.

- Wash with mild detergent, using a soft cloth and warm water. Rinse and dry.

## Rotisserie spit rod handle

(On some models)

- Do not use steel wool, abrasive cleaners or oven cleaner.
- Wash with mild detergent, using a soft cloth and warm water. Rinse and dry.

## Rotisserie spit rod and forks

(On some models)

- Wash with mild detergent, using a soft cloth and warm water. Rinse and dry.
- For stubborn areas, use a multi-purpose cleaner, a heavy-duty scrub sponge or mild abrasive cleaner.

# Accessories

**Custom Access Door Kits** are available from your dealer.

- 27" (68.6 cm) models:  
Door Kit No. 4396314
- 36" (91.4 cm) models:  
Door Kit No. 4396315
- 39" (99.1cm) models:  
Door Kit No. 4396316

**Vinyl Grill Covers** are available from your dealer.

### Built-in models:

- 27" (68.6 cm) models:  
Cover No. 4396323
- 36" (91.4 cm) models:  
Cover No. 4396325
- 39" (99.1 cm) models:  
Cover No. 4396327

# Warranty

<b>KitchenAid® Gas Grill Products Warranty</b>	
<b>LENGTH OF WARRANTY</b>	<b>KitchenAid WILL PAY FOR:</b>
<b>FULL ONE-YEAR WARRANTY</b> From Date of Purchase	<b>Factory Specified Parts and Repair Labor</b> to correct defects in materials OR workmanship. Service must be provided by a Service Company designated by KitchenAid.
<b>Limited Five-Year Warranty</b> Second through Fifth Year from Date of Purchase Parts only	For five years from the date of purchase, when this gas grill is used in accordance with instructions attached or furnished with product, KitchenAid will pay for Factory Specified Parts to correct defects in materials or workmanship.  KitchenAid also warrants that the structural integrity of the gas grill is free from defects in materials or workmanship, under normal recommended use for a period of five years from the date of purchase.
<b>Limited Lifetime Warranty</b> on all Stainless Steel components including stainless steel grill burners	KitchenAid warrants that the stainless steel body housings will be free from defects in material and workmanship when subjected to normal domestic use and service for the lifetime of the appliance. This warranty excludes damage to the finish, such as scratches or discoloration, which may occur during regular use.  The stainless steel grill burners are warranted to be free from defects in material, workmanship and structural integrity when subject to normal domestic use and service for the lifetime of the appliance.  The above warranty is limited to the replacement costs of the above component parts.
<b>KitchenAid WILL NOT PAY FOR:</b>	
<p>A. Installation of your gas grill or damage caused by improper installation or failure to comply with local code requirements.</p> <p>B. Shipping, pickup and delivery, removal or re-installation, as your gas grill is designed to be repaired in the home.</p> <p>C. Service calls to:</p> <ol style="list-style-type: none"> <li>1. Correct the installation of your KitchenAid gas grill.</li> <li>2. Instruct you how to use your KitchenAid gas grill.</li> <li>3. Replace house fuses or correct house wiring.</li> <li>4. Perform normal maintenance, including periodic replacement of seals, fittings, etc.</li> </ol> <p>D. Conversion kit or service call for the conversion of your gas grill from natural gas to L.P./propane or from L.P./propane to natural gas.</p> <p>E. Repairs when your gas grill is used in other than normal, single-family household use.</p> <p>F. Damage to your gas grill caused by negligence, accident, misuse, fire, flood, acts of God, or use of products, including cleaning products, not approved by KitchenAid or KitchenAid Canada.</p> <p>G. Repairs to parts or system resulting from unauthorized modifications to your gas grill.</p> <p>H. In Canada, travel or transportation expenses for customers who reside in remote areas.</p> <p>I. Replacement parts or repair labor costs for units operated outside the United States and Canada.</p> <p>J. Any labor costs during limited warranty period</p> <p>K. Deterioration due to normal wear and tear of your gas grill.</p>	

Notice Regarding All KitchenAid gas grill installations. Access must be provided to the grill's gas source. Install and operate each gas grill according to instructions provided with product.

KitchenAid and KitchenAid Canada Shall Not be Liable for Incidental or Consequential Damages. Any implied warranty or merchantability or fitness for a particular purpose is limited in duration to the duration of this warranty. Some states do not allow the exclusion or limitation of incidental or consequential damages, or allow limitations on how long an implied warranty lasts, so these exclusions or limitations may not apply to you. This warranty gives you specific legal rights, and you may also have other rights, which vary, from state to state or province to province.

Outside the 50 United States and Canada, this warranty does not apply. Contact your authorized KitchenAid dealer to determine if another warranty applies .

If you need customer or technical assistance, first see the "Grill Use" section of the book. Additional help can be found by calling the KitchenAid Customer Interaction Center at 1-800-422-1230, from anywhere in the U.S.A. , and 1-800-807-6777, from anywhere in Canada.

# Requesting Assistance or Service

To avoid unnecessary service calls, please check the "Grill" section. It may save you the cost of a service call. If you still need help, follow the instructions below.

## If you need assistance or service in U.S.A.

Call toll-free at 1-800-422-1230, our consultants are available to assist you.

When calling: Please know the purchase date, and the complete model and serial number of your appliance. This information will help us better respond to your request.



Our consultants provide assistance with:

- Features and specifications on our full line of appliances
- Installation information

- Use and maintenance procedures
- Accessory and repair parts sales
- Specialized customer assistance (Spanish speaking, hearing impaired, limited vision, etc.)
- Referrals to local dealers, service companies, and repair parts distributors

KitchenAid designated service technicians are trained to fulfill the product warranty and provide after-warranty service, anywhere in the United States.

To locate the designated KitchenAid service company in your area, you can also look in your telephone directory Yellow Pages.

## If you need replacement parts

If you need to order replacement parts, we recommend that you only use factory-authorized parts. These parts will fit right and work right, because they are made to the same exacting specifications used to build every new KitchenAid appliance.

To locate factory-authorized parts in your area, call 1-800-422-1230 for your nearest authorized service center, or KitchenAid Factory Service at 1-800-442-1111.

## For further assistance

If you need further assistance, you can write to KitchenAid with any questions or concerns at:

KitchenAid Brand Home Appliances  
Customer Interaction Center  
c/o Correspondence Dept.  
2000 North M-63  
Benton Harbor, MI 49022-2692

Please include a daytime phone number in your correspondence.

# Requesting Assistance or Service

Before calling for assistance or service, please check the "Grill" section. It may save you the cost of a service call. If you still need help, follow the instructions below.

## If you need assistance or service in Canada

### 1. If the problem is not due to one of the items listed in "Check Operation"†...



Contact the dealer from whom you purchased your appliance or call toll-free, 1-800-422-1230.

### 2. If you need service†...

Contact your nearest KitchenAid Canada Appliance Service branch or authorized servicing outlet to service your appliance. (See list below.) Make sure the service company you contact is authorized to service your appliance during the warranty period.

†When asking for assistance or service, please provide a detailed description of the problem, your appliance's complete model and serial numbers, and the purchase date. This information will help us respond properly to your request.

### KitchenAid Canada Appliance Service – Consumer Services

Direct service branches:

BRITISH COLUMBIA		1-800-665-6788
ALBERTA		1-800-661-6291
ONTARIO (except 807 area code)	Ottawa area Outside the Ottawa area	1-800-267-3456 1-800-807-6777
MANITOBA, SASKATCHEWAN and 807 area code in ONTARIO		1-800-665-1683
QUEBEC	Montreal (except South Shore) South Shore Montreal Quebec City Sherbrooke	1-800-361-3032 1-800-361-0950 1-800-463-1523 1-800-567-6966
ATLANTIC PROVINCES		1-800-565-1598

## For further assistance

If you need further assistance, you can write to KitchenAid Canada with any questions or concerns at:

Consumer Relations Department  
KitchenAid Canada  
1901 Minnesota Court  
Mississauga, Ontario L5N 3A7

Please include a daytime phone number in your correspondence.

Part No. 9758067

© 2003 KitchenAid.

® Registered Trademark/Trademark of  
KitchenAid U.S.A., KitchenAid  
Canada licensee in Canada

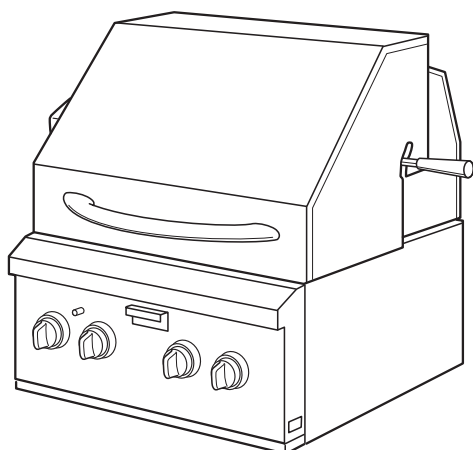
**KitchenAid**®  
HOME APPLIANCES

Prepared by KitchenAid, Benton Harbor, Michigan 49022

Printed in U.S.A.

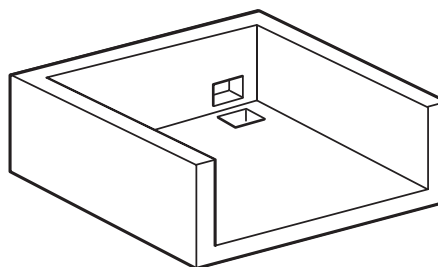
# Instructions d'installation et Guide d'utilisation et d'entretien

Grils pour extérieur – 68,6 cm (27 po),  
36 po (91,4 cm) et 99,1 cm (39 po)  
(Appareil stationnaire — matériaux combustibles)



68,6 cm (27 po)  
avec rôtissoire  
illustrée

Chemisage isolant



Modèles

KBGS274PSS  
KBGS364PSS  
KBGS292PSS



## IMPORTANT :

Lire et conserver ces instructions.

### IMPORTANT :

**Installateur :** Remettre les instructions d'installation au propriétaire.

**Propriétaire :** Conserver les instructions d'installation pour consultation ultérieure.

Conserver les instructions d'installation pour consultation par l'inspecteur local des installations électriques.

Avant d'installer ou d'utiliser le gril pour extérieur, inscrire ci-dessous le numéro de modèle et le numéro de série. Les numéros sont estampés sur l'étiquette d'identification se trouvant sur le dessous du plateau de récupération. On trouve également ces numéros sur la plaque signalétique, fixée sur l'écran thermique derrière le tableau de commande, près de la boîte du fumoir.

Numéro de modèle : \_\_\_\_\_

Numéro de série : \_\_\_\_\_

## Consultation rapide

### Table des matières :

Pages

- 2** Avant de commencer
- 5** Dimensions du produit
- 5** Dimensions pour l'installation du gril stationnaire
- 6** Alimentation en gaz - Spécifications
- 6** Rôtissoire - Spécifications électriques
- 7 - 8** Étapes de l'installation
- 9** Contrôle/réglage des brûleurs
- 10 - 12** Utilisation et entretien
- 13 - 15** Cuisson au gril - Conseils et tableau
- 16** Rôtissage - Conseils et tableau
- 17 - 18** Nettoyage
- 19** Garantie
- 20 - 21** Demande d'assistance ou de service

**KitchenAid**<sup>®</sup>  
BIEN PENSÉ, BIEN FABRIQUÉ<sup>®</sup>

Pièce n° 9758067

# Avant de commencer...

**Votre sécurité et celle des autres est très importante.**

Nous donnons de nombreux messages de sécurité importants dans ce manuel, et sur votre appareil ménager. Veuillez à toujours lire tous les messages de sécurité et de vous y conformer.



Voici le symbole d'alerte de sécurité.

Ce symbole d'alerte de sécurité vous signale un risque potentiel de décès et de blessures graves pour vous et d'autres personnes.

Tous les messages de sécurité suivront le symbole d'alerte de sécurité et le mot "DANGER" ou "AVERTISSEMENT".

Ces mots signifient :

## **! DANGER**

**Risque possible de décès ou de blessure grave si vous ne suivez pas immédiatement les instructions.**

## **! AVERTISSEMENT**

**Risque possible de décès ou de blessure grave si vous ne suivez pas les instructions.**

Chaque message de sécurité identifie le danger potentiel et indique comment réduire le risque de blessure et ce qui peut se produire en cas de non-respect des instructions.

## **POUR VOTRE SÉCURITÉ**

**Si une odeur de gaz est perceptible :**

- 1. Fermer l'arrivée de gaz de l'appareil.**
- 2. Éteindre toute flamme nue.**
- 3. Ouvrir le capot.**
- 4. Si l'odeur persiste, contacter immédiatement le fournisseur de gaz ou les pompiers.**

## **POUR VOTRE SÉCURITÉ**

- 1. Ne pas remiser ou utiliser de l'essence ou un autre produit liquide ou gazeux inflammable à proximité de cet appareil ou de tout autre appareil ménager.**

- 2. Une bouteille de propane qui n'est pas connectée pour l'utilisation ne doit pas être remise à proximité de cet appareil ou de tout autre appareil ménager.**

## **INSTRUCTIONS DE SÉCURITÉ IMPORTANTES**

1. Ne pas installer le gril dans ou sur un véhicule récréatif, une remorque, un bateau ou autre équipement mobile.

2. Veiller à toujours respecter les distances de séparation minimales entre l'appareil et les matières combustibles; voir la section "Emplacement d'installation".

3. Cet appareil de cuisson à gaz pour extérieur ne doit pas être installé au-dessous d'une construction en matériaux combustibles.

4. Cet appareil de cuisson à gaz pour extérieur ne doit être utilisé qu'à l'extérieur, et ne doit pas être utilisé dans un bâtiment, un garage ou tout autre espace fermé.

5. Veiller à ne pas approcher le cordon d'alimentation électrique et les canalisations de combustible des surfaces chaudes.

6. Veiller à ne jamais avoir de matière combustible, essence ou autre produit inflammable liquide ou gazeux à proximité de l'appareil de cuisson à gaz pour extérieur.

7. Ne pas entraver la circulation d'air de combustion et de ventilation. Veiller à ce que les ouvertures de ventilation du logement de la bouteille de gaz ne soient jamais obstruées.

8. Inspecter le tuyau raccordant la bouteille de gaz à l'appareil avant chaque utilisation du gril. En cas de coupure, usure ou abrasion excessive, on DOIT remplacer le tuyau de raccordement avant d'utiliser le gril. Consulter le revendeur – utiliser uniquement un tuyau de remplacement spécifié pour l'utilisation avec le gril.

9. Inspecter visuellement les flammes sur les brûleurs. On doit observer des flammes bleues; une petite zone jaunâtre à l'extrémité des flammes est normale lors de l'alimentation au propane.

10. Inspecter les brûleurs et le tube venturi pour y rechercher des accumulations d'insectes ou nids

d'insectes. Une obstruction du tube peut provoquer un feu sous le gril.

11. La bouteille de gaz utilisée doit :

- être fabriquée conformément aux spécifications applicables aux bouteilles de propane, et être marquée comme telle (spécifications du ministère des Transports des É.-U., ou de la norme canadienne CAN/CSA-B339 – récipients pour le transport de matières dangereuses); et Commission.

- comporter un dispositif homologué empêchant un remplissage excessif.

- comporter un dispositif de raccordement compatible avec le raccord d'alimentation du gril pour extérieur.

12. Inspecter toujours les connexions pour rechercher les fuites lors de chaque raccordement/déconnexion de la bouteille de propane. Voir la section "Instructions d'installation".

13. Lorsque le gril pour extérieur n'est pas utilisé, fermer le robinet de la bouteille de gaz.

14. Le remisage du gril pour extérieur n'est permis que si la bouteille de gaz a été déconnectée et séparée du gril pour extérieur.

15. Une bouteille de gaz doit être remise à l'extérieur, hors d'atteinte des enfants; on ne doit jamais remiser une bouteille de gaz dans un bâtiment, garage ou dans un local fermé.

16. On doit utiliser le détendeur et le tuyau de raccordement fournis avec le gril pour extérieur. Le détendeur et le tuyau de raccordement spécifiés pour le modèle acheté sont identifiés à la section "Instructions d'installation".

17. La configuration du système d'alimentation par une bouteille de gaz doit permettre l'extraction adéquate du produit gazeux.

18. La bouteille de gaz doit inclure un chapeau de protection du robinet.

**AVERTISSEMENT : Si les instructions de ce manuel ne sont pas scrupuleusement respectées, il pourrait se produire un incendie qui susciterait des dommages corporels, ou mortels.**

Si les directives suivantes ne sont pas scrupuleusement observées, il peut se produire un incendie qui susciterait des dommages corporels graves ou mortels.

- Ne pas remiser une bouteille de gaz sous le gril ou à proximité.
- Ne jamais remplir une bouteille de gaz à plus de 80%.

### **IMPORTANT :**

Ce gril est fabriqué pour une utilisation à l'extérieur seulement.

Pour un gril utilisé à une altitude supérieure à 2000 pieds (610 m), on doit remplacer le gicleur d'admission de gaz. Voir la section "Spécifications de l'alimentation en gaz".

C'est à l'installateur qu'incombe la responsabilité du respect des distances de séparation minimales spécifiées sur la plaque signalétique. On trouve la plaque signalétique sur l'écran thermique derrière le tableau de commande, près de la boîte du fumoir.

On peut se procurer un exemplaire des normes mentionnées aux adresses suivantes :

National Fire Protection Association  
One Batterymarch Park  
Quincy, Massachusetts 02269

CSA International  
8501 East Pleasant Valley Rd.  
Cleveland, Ohio 44131-5575

La loi californienne Safe Drinking Water and Toxic Enforcement Act oblige le Gouverneur de la Californie à publier une liste des substances qui, à la connaissance de l'État de la Californie, causent le cancer, des défauts congénitaux ou sont autrement nuisibles à la reproduction, et elle oblige aussi les entreprises à mettre en garde contre l'exposition potentielle à de telles substances.

**AVERTISSEMENT :** Ce produit contient un produit chimique qui, à la connaissance de l'État de la Californie, cause le cancer, des défauts congénitaux ou est autrement nuisible à la reproduction.

Cet appareil peut causer une exposition de faible intensité à certaines des substances énumérées y compris le benzène, la silice cristalline, le monoxyde de carbone, le toluène et la suie.

Dans l'État du Massachusetts, les instructions d'installation suivantes s'appliquent :

- Les installations et réparations doivent être effectuées par un entrepreneur ou plombier qualifié ou agréé ou par un monteur d'installations au gaz qualifié ou agréé par l'État du Massachusetts.
- Si on utilise un clapet à bille, il doit être du type à manche en forme de T.
- Un raccord flexible pour gaz, lorsque utilisé, ne doit pas dépasser 3 pieds.

# Outillage et pièces nécessaires pour l'installation du gril stationnaire (construction combustible)

- niveau
- petit tournevis à lame plate
- tournevis à lame plate
- tournevis Phillips
- mètre-ruban ou règle
- pince multiprise/articulation mobile
- clé à tuyauterie
- ciseaux ou pince coupante (pour enlever les attaches)

Matériaux nécessaires :

- robinet d'arrêt pour la canalisation de gaz
- raccord fileté mâle 1/2 po pour le raccordement au détendeur
- composé d'étanchéité des jointures résistant au propane
- raccord flexible d'acier inoxydable (homologation AGA ou CSA) [4-5 pi (1,2-1,5 m)] ou canalisation de gaz rigide, selon le besoin
- solution de détection des fuites, non corrosive

## Pièces fournies

- détendeur convertible réglé pour une pression de 4 po (col. d'eau) pour le gaz naturel.

## Pièces nécessaires

Le gril stationnaire est configuré pour l'alimentation au gaz naturel.

Pour la conversion pour l'alimentation au propane, on doit utiliser l'ensemble de conversion n° 4396311; Suivre les instructions fournies avec l'ensemble.

# Emplacement d'installation

## ! AVERTISSEMENT



### Risque d'explosion

**Ne pas remiser une bouteille de combustible dans un garage ou à l'intérieur de la résidence.**

**Ne pas remiser le gril avec un réservoir de combustible dans un garage ou à l'intérieur de la résidence.**

**Le non-respect de ces instructions peut causer un décès, une explosion ou un incendie.**

## ! AVERTISSEMENT



### Risque d'incendie

**Ne pas utiliser le gril à proximité de matériaux combustibles.**

**Ne pas remiser des matériaux combustibles à proximité du gril.**

**Le non-respect de ces instructions peut causer un décès ou un incendie.**

Choisir un emplacement qui minimise l'exposition au vent et à la circulation des personnes. L'emplacement ne devrait pas être exposé à de forts courants d'air.

Ne pas entraver l'arrivée d'air de ventilation ni d'évacuation des gaz de combustion.

## ! AVERTISSEMENT



### Risque d'incendie

**Ne pas installer ce gril sur ou à proximité de matériaux combustibles.**

**Le non-respect de cette instruction peut causer un décès ou un incendie.**

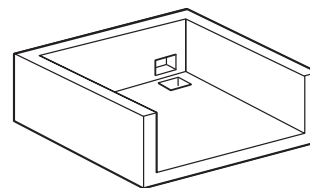
Dégagements de séparation des matières combustibles – gril stationnaire (construction combustible) :

On doit maintenir une distance d'au moins 30,5 cm (12 po) entre tout matériau combustible et le capot, les côtés et l'arrière du gril.

## Rôtissoire

Si le gril est équipé d'une rôtissoire, on doit ménager un espace libre d'au moins 15,2 cm (6 po) à chaque extrémité pour le moteur et la broche.

Une prise de courant reliée à la terre, à 3 alvéoles, doit être disponible sur le côté gauche du gril (voir la section "Alimentation électrique").



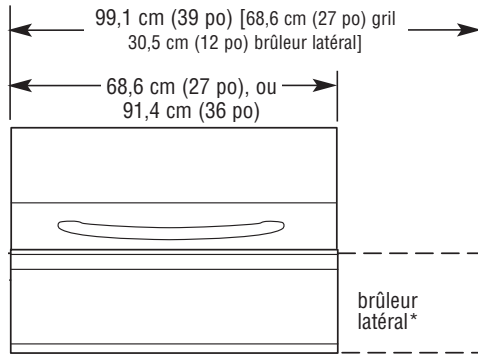
## Chemisage isolant

Le gril stationnaire pour utilisation dans une enceinte de matériaux combustibles comprend également un chemisage isolant.

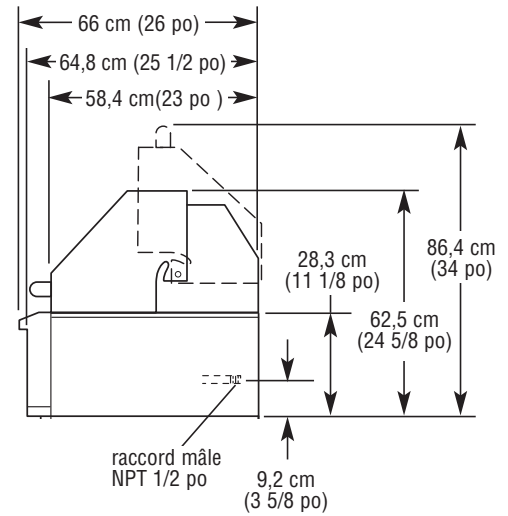
Dégagements de séparation des matières combustibles – gril stationnaire :

On doit maintenir une distance d'au moins 30,5 cm (12 po) entre tout matériau combustible et le capot, les côtés et l'arrière du gril.

## Dimensions du produit



\* Il n'y a pas de brûleur latéral ou de plateaux latéraux sur chaque modèle.



## AVERTISSEMENT



### Risque d'incendie

Ne pas installer ce gril sur ou à proximité de matériaux combustibles.

Le non-respect de cette instruction peut causer un décès ou un incendie.

### Dimensions du module d'installation en matériaux combustibles

Taille de l'appareil	A	B
68,6 cm (27 po)	83,8 cm (33 po)	64,1 cm (25-1/4 po)
91,4 cm (36 po)	106,7 cm (42 po)	87,0 cm (34-1/4 po)
99,1 cm (39 po)	114,3 cm (45 po)	94,6 cm (37-1/4 po)

## Dimensions pour l'installation du modèle stationnaire avec chemisage isolant (enceinte de matériaux combustibles)

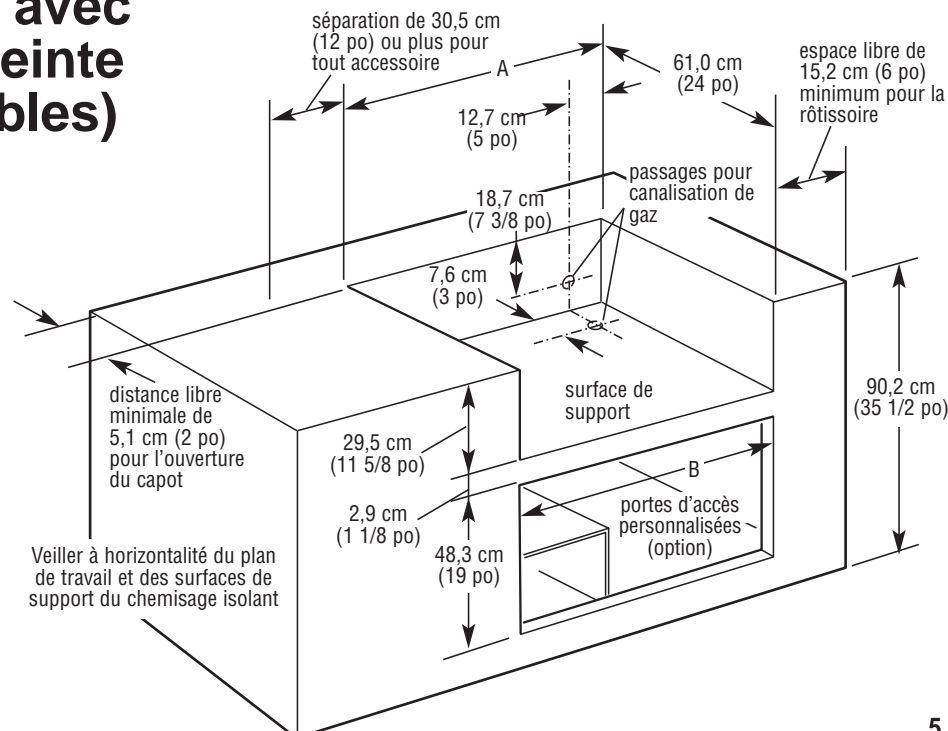
On doit utiliser les dimensions d'enceinte et de dégagement indiquées. Les dimensions données procurent les dégagements requis.

L'installation de ce gril doit satisfaire les prescriptions de la version en vigueur de la norme CSA-Z21.58a-1998\*, ou de tout code local applicable.

Pour l'installation dans une enceinte combustible, on doit utiliser le chemisage isolant fourni avec le gril. Le chemisage isolant doit être soutenu par une plaque de support placée dessous, ou par des tringles ou un rebord de chaque côté.

On peut se procurer un exemplaire des normes mentionnées à l'adresse suivante :

\* CSA International  
8501 East Pleasant Valley Rd.  
Cleveland, Ohio 44131-5575



# Alimentation en gaz – Spécifications

Respecter les prescriptions des codes et règlements en vigueur.

**IMPORTANT :** Le gril doit être raccordé à une source de gaz sous pression régulée.

- Les puissances thermiques indiquées sur la plaque signalétique ont été déterminées pour une altitude de 610 m (2000 pieds). À une altitude supérieure à 610 m (2000 pieds), la puissance thermique diminue à raison de 4 % pour chaque tranche de 305 m (1000 pieds) au-dessus du niveau de la mer. Un remplacement du gicleur est nécessaire. Contacter le centre d'assistance à la clientèle KitchenAid.
- La plaque signalétique indique le type de gaz à utiliser. Si le gaz spécifié ne correspond pas au type de gaz disponible, consulter le fournisseur local de gaz.

Ne jamais entreprendre de convertir le gril pour l'alimentation avec un gaz autre que celui qui est spécifié sur la plaque signalétique sans avoir consulté le fournisseur de gaz local. On devra utiliser l'ensemble de conversion spécifié.

## Test de pressurisation de la canalisation :

Test à plus de 1/2 lb/po<sup>2</sup> (3,5 kPa) (relative) ou colonne d'eau de 35,5 cm (14 po)

Lors de tout test de pressurisation de la canalisation de gaz à une pression relative supérieure à 1/2 lb/po<sup>2</sup> (3,5 kPa), il faut que le gril et son robinet d'arrêt individuel soient déconnectés de la canalisation d'arrivée de gaz.

Test à une pression de 1/2 lb/po<sup>2</sup> (3,5 kPa) (relative) ou colonne d'eau de 35,5 cm (14 po) ou moins

Lors de tout test de pressurisation de la canalisation de gaz à une pression égale ou inférieure 1/2 lb/po<sup>2</sup> (3,5 kPa), on doit fermer le robinet d'arrêt individuel pour isoler le gril de la canalisation d'arrivée de gaz.

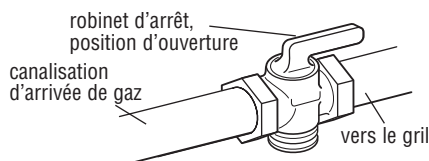
## Grils stationnaires – construction combustible

### Gaz naturel :

Les modèles de grils stationnaires sont configurés pour l'alimentation au gaz naturel. Leur conception est homologuée par CSA International pour l'alimentation

au propane ou butane, après conversion appropriée.

Les modèles stationnaires sont réglés pour l'utilisation du gaz naturel et sont munis d'un détendeur à filetage femelle de 1/2 po.



La canalisation d'arrivée de gaz doit être dotée d'un robinet d'arrêt homologué. Ce robinet devrait être au voisinage du gril, à un endroit où on peut y accéder facilement pour les manœuvres d'ouverture et de fermeture. Ne pas entraver l'accès au robinet d'arrêt. Le robinet permet d'ouvrir ou de fermer l'alimentation en gaz de l'appareil.

### Conversion pour l'alimentation au propane, depuis une source locale de propane :

L'opération de conversion doit être exécutée par un technicien qualifié. Un technicien qualifié pour le gaz naturel doit installer une canalisation de propane jusqu'au point d'installation du gril en conformité avec les prescriptions du Code national du gaz NFPA 54 et des codes locaux. Pour la conversion pour l'alimentation au propane, on doit utiliser l'ensemble de conversion n° 4396311. Suivre les instructions fournies avec l'ensemble.

### Conversion pour l'alimentation au propane, depuis une bouteille de propane :

Pour la conversion pour l'alimentation au propane, on doit utiliser l'ensemble de conversion n° 4396311. Suivre les instructions fournies avec l'ensemble.

On doit acquérir séparément une bouteille de propane (pas plus de 20 lb).

### GAZ NATUREL :

Pression de service : 10,2 cm (4 po) (colonne d'eau)

Pression d'alimentation 17,8 à 35,5 cm (7-14 po) (colonne d'eau) maximum.

### GAZ PROPANE :

Pression de service : 27,9 cm (11 po) (colonne d'eau)

Pression d'alimentation : 27,9 à 35,5 cm (11 à 14 po) colonne d'eau

# Rôtissoire – Spécifications

## ⚠ AVERTISSEMENT



### Risque de choc électrique

**Brancher sur une prise de courant à 3 alvéoles, reliée à la terre.**

**Ne pas enlever la broche de liaison à la terre.**

**Ne pas utiliser un adaptateur.**

**Ne pas utiliser un câble de rallonge.**

**Le non-respect de ces instructions peut causer un décès, un incendie ou un choc électrique.**

Si on utilise un conducteur distinct de liaison à la terre lorsque le code local le permet, il est recommandé qu'un électricien qualifié vérifie la qualité de la liaison à la terre.

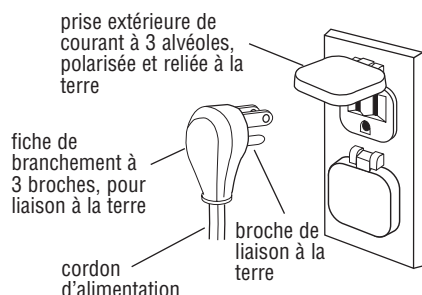
En cas de doute quant à la qualité de la liaison à la terre du gril, contacter un électricien qualifié.

Ne pas utiliser une tuyauterie de gaz pour la liaison à la terre de l'appareil.

L'appareil doit être alimenté par un circuit électrique de 120 V (CA seulement), 60 Hz, protégé par un fusible de 15 A.

## Méthode recommandée de liaison à la terre

Une prise de courant murale à 3 alvéoles, reliée à la terre conformément aux prescriptions du Code national des installations électriques ANSI/NFPA 70\*\* - ou de la norme C22.1\* (Code canadien des installations électriques), et à toutes les prescriptions des codes et règlements locaux en vigueur.



On peut se procurer un exemplaire des normes mentionnées aux adresses suivantes :

\* CSA International  
8501 East Pleasant Valley Rd.  
Cleveland, Ohio 44131-5575

\*\* National Fire Protection Association  
One Batterymarch Park  
Quincy, Massachusetts 02269

# Instructions d'installation – gril stationnaire pour extérieur (matériaux combustibles)

## ! AVERTISSEMENT



### Risque d'incendie

**Ne pas installer ce gril sur ou à proximité de matériaux combustibles.**

**Le non-respect de cette instruction peut causer un décès ou un incendie.**

**IMPORTANT :** Le gril stationnaire pour utilisation dans une enceinte combustible est également fourni avec un chemisage isolant; on doit utiliser celui-ci pour réaliser une installation correcte. Voir à la page 4 les dimensions de l'ouverture à découper.

## ! AVERTISSEMENT



### Risque d'incendie

**Ne pas utiliser le gril à proximité de matériaux combustibles.**

**Ne pas remiser des matériaux combustibles à proximité du gril.**

**Le non-respect de ces instructions peut causer un décès ou un incendie.**

## ! AVERTISSEMENT

### Danger - Poids excessif

**Faire intervenir deux personnes ou plus pour les manutentions et l'installation du gril.**

**Le non-respect de cette instruction peut causer une blessure au dos ou une autre blessure.**

## Alimentation au gaz naturel

Cette installation doit satisfaire les prescriptions des codes et règlements locaux\*\*. En l'absence de codes locaux, les installations doivent satisfaire soit les prescriptions du Code national du gaz ANSI Z223.1, soit celles du code d'installation de gaz naturel et propane CAN/CGA-B149.1\*.

**1.** Placer le gril et le chemisage isolant dans l'enceinte d'installation, mais laisser suffisamment d'espace à l'arrière du gril et du chemisage isolant pour le raccordement à la canalisation de gaz.

## ! AVERTISSEMENT



### Risque d'explosion

**Bien serrer tous les joints des raccords du circuit de gaz.**

**Si l'appareil est relié à une canalisation de gaz propane, demander à une personne qualifiée de vérifier que la pression de gaz ne dépasse pas 11 po (colonne d'eau). (Personnes qualifiées = personnel compétent d'un fournisseur d'équipement de chauffage, d'une compagnie de distribution de gaz, ou d'une entreprise d'entretien agréée).**

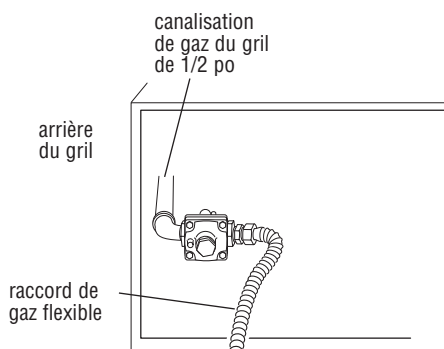
**Le non-respect de ces instructions peut causer un décès, une explosion ou un incendie.**

**2.** Effectuer les raccordements au gaz.

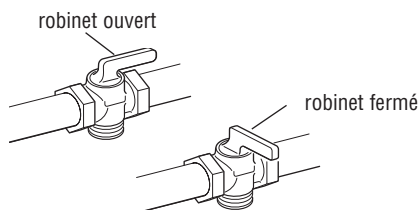
Il faut utiliser différents raccords pour la connexion du gril à la canalisation de gaz existante.

- Si les codes locaux le permettent, utiliser un tuyau en acier inoxydable flexible homologué par l'AGA ou CSA International pour raccorder le gril à la canalisation de gaz rigide. Une canalisation de 5/8 po de diamètre est recommandée. Connecter l'alimentation de gaz au gril et serrer les raccords avec une clé. Utiliser un composé d'étanchéité des jointures sur tous les filetages mâles non évasés. Ne pas déformer ni endommager le raccord flexible lors du déplacement du gril.

- Il faut utiliser des composés d'étanchéité des jointures résistant au propane. Ne pas utiliser de ruban de Teflon®.



- 3.** Ouvrir le robinet d'arrêt de la canalisation de gaz. Le robinet est ouvert lorsque la poignée est parallèle à la canalisation de gaz.



- 4.** Effectuer un test de recherche des fuites sur chaque connexion à l'aide d'une solution de détection des fuites, non corrosive. La formation de bulles identifie une fuite. Rectifier chaque connexion manifestant une fuite.

On peut se procurer un exemplaire des normes mentionnées aux adresses suivantes :

\*CSA International  
8501 East Pleasant Valley Rd.  
Cleveland, Ohio 44131-5575

\*\* Pour les codes locaux, contacter l'inspecteur local des bâtiments.

®Teflon est une marque de commerce déposée de E.I. Du Pont de Nemours and Company.

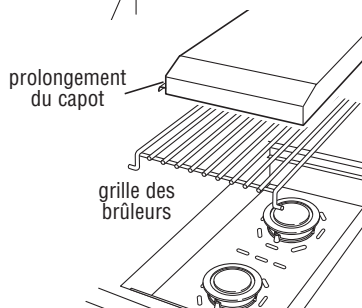
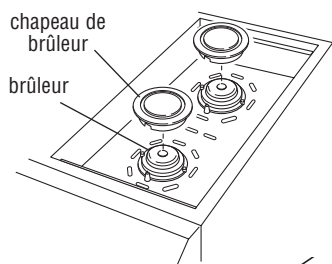
- 5.** Ouvrir le capot.

- 6.** Pour un modèle équipé d'une rôtissoire, enlever la broche de la rôtissoire du gril.

- 7.** Pour les modèles avec brûleurs latéraux. Enlever le couvercle des brûleurs latéraux (au sommet de la boîte de carton située sur la grille du gril). Enlever l'emballage à bulles du couvercle des brûleurs latéraux; conserver celui-ci.

Ouvrir la boîte de carton située sur la grille du gril. Enlever la grille des brûleurs latéraux; déballer et conserver l'emballage.

Retirer les brûleurs et chapeaux de brûleur de la boîte de carton; déballer ces composants. Installer chaque ensemble brûleur/chapeau de brûleur dans la cavité de brûleur destinée à le recevoir - voir l'illustration.

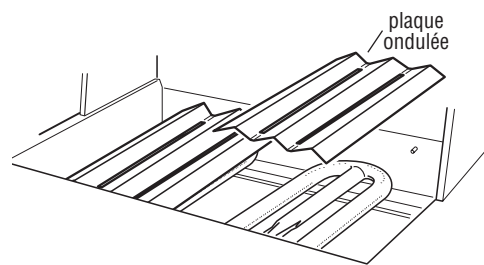


Installer la grille des brûleurs latéraux et le capot avec le prolongement vers la grille tel qu'illustré.

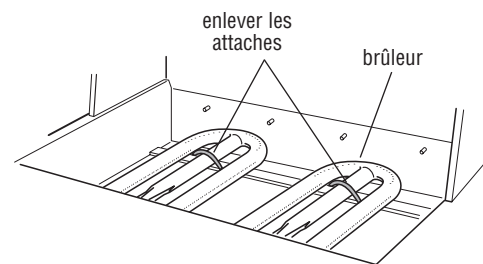
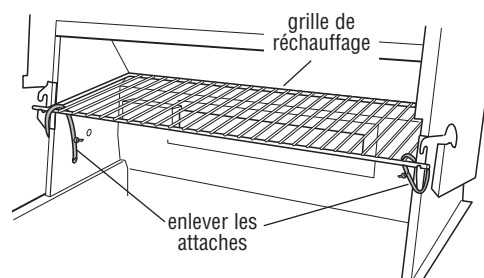
Mettre tous les matériaux d'emballage au rebut.

- 8.** Enlever prudemment les grilles de brûleur pour les conserver à part.

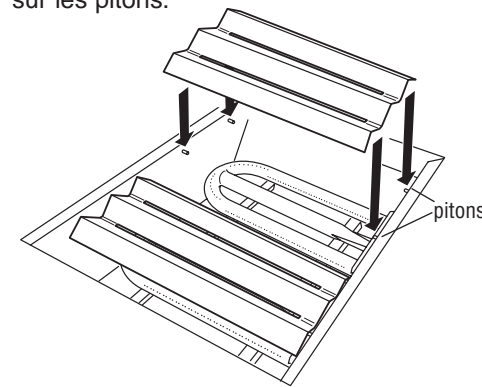
- 9.** Enlever les plaques ondulées et les conserver à part.



- 10.** Enlever les attaches des brûleurs et de la grille de réchauffage.



- 11.** Réinstaller les plaques ondulées. Veiller à ce qu'elles reposent sur les pitons.



- 12.** Insérer complètement et avec précaution l'appareil dans l'enceinte d'installation à l'extérieur.

- 13.** Passer à la section "Contrôle et réglage des brûleurs".

# Contrôle et réglage des brûleurs

Les brûleurs ont été testés et réglés à l'usine pour le fonctionnement au niveau d'efficacité optimum. Cependant, des variations des caractéristiques de la source de gaz et d'autres paramètres peuvent nécessiter un réglage mineur de l'admission d'air au niveau des brûleurs, ou du débit thermique minimum. Tout réglage doit être exécuté par un technicien qualifié.

**NOTE :** Aucun réglage ne peut être effectué sur le brûleur de la rôtissoire (non disponible sur tous les modèles) ou sur le(s) brûleur(s) du fumoir.

Les opérations de contrôle et de réglage des flammes sur les brûleurs du gril nécessitent la dépose de la grille et des plaques ondulées.

## Caractéristiques des flammes sur les brûleurs :

Les flammes des brûleurs du gril et des brûleurs de chauffage (non disponibles sur tous les modèles) doivent être bleues et stables; la combustion doit se produire sans bruit et sans séparation entre flammes et brûleur (les flammes produites par le propane peuvent avoir une pointe légèrement jaunâtre). Une flamme jaune indique une pénurie d'air. Si la combustion est bruyante ou si les flammes se détachent du brûleur, le débit d'air est excessif. L'apparition de pointes jaunes sur les flammes lorsque le brûleur est réglé pour le débit thermique "HI" est acceptable dans la mesure où il ne se forme pas de dépôt de carbone ou de suie.

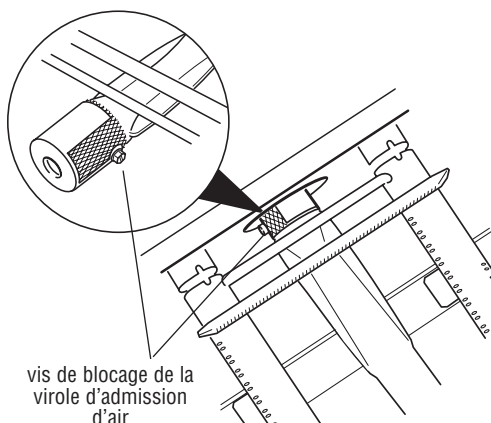
Vérifier que les brûleurs ne sont pas obstrués par des saletés, des débris, des nids d'insectes, etc.; nettoyer selon le besoin. Si les brûleurs sont propres, régler l'ouverture d'admission d'air selon le besoin.

**IMPORTANT :** Laisser chaque brûleur refroidir avant d'effectuer un réglage de l'admission d'air.

## Réglage de l'admission d'air :

1. Allumer le gril – voir les instructions à la section- "Allumage du gril".
2. Observer les flammes sur les brûleurs pour déterminer quels brûleurs nécessitent un réglage et pour observer le comportement des flammes. Voir ci-dessus "Caractéristiques des flammes sur les brûleurs".
3. Fermer le robinet; attendre le refroidissement des brûleurs et du gril.
4. Ôter les grilles de brûleur et les plaques ondulées.
5. Enlever le brûleur et desserrer la vis de blocage de la virole d'admission d'air.
  - a. Si les flammes sont jaunes (pénurie d'air), faire tourner la virole dans le sens antihoraire.
  - b. Si les flammes sont bruyantes ou se séparent du brûleur (excès d'air), faire tourner la virole dans le sens horaire.

La course de réglage devrait être de 1/8 à 1/4 po.



vis de blocage de la virole d'admission d'air

6. Resserer la vis de blocage de la virole d'admission d'air.
7. Réinstaller les plaques ondulées et grilles de brûleur.
8. Allumer le brûleur; examiner les flammes. Voir "Caractéristiques des flammes sur les brûleurs".

Si nécessaire, répéter les étapes 1 à 8 ci-dessus.

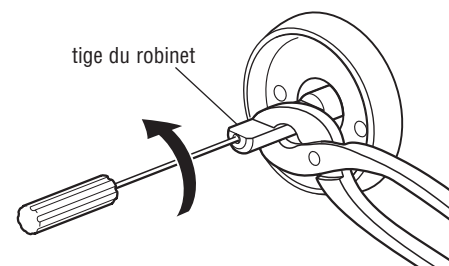
Effectuer le réglage sur un brûleur seulement si c'est nécessaire.

## Réglage de la puissance de chauffage minimale :

Si les flammes d'un brûleur s'éteignent alors qu'il est réglé pour la puissance de chauffage "LO", on doit effectuer un réglage.

1. Fermer le robinet et attendre le refroidissement du gril et des brûleurs.

2. Ôter les grilles de brûleur et les plaques ondulées.
3. Allumer le gril selon les instructions de la section – "Allumage du gril".
4. Placer le bouton de commande à la position correspondant à la puissance de chauffage minimale, et ôter le bouton.
5. Immobiliser la tige du robinet avec une pince, et insérer un tournevis à lame plate mince dans la tige creuse.
6. Observer les flammes; faire tourner lentement le tournevis dans le sens antihoraire.
7. Trouver la position qui permet le maintien des plus petites flammes stables.



8. Réinstaller le bouton de commande et éteindre le brûleur.
9. Répéter les étapes 3 à 8 pour chaque brûleur à régler.
10. Réinstaller les plaques ondulées et grilles de brûleur après le refroidissement des brûleurs.

# Utilisation du gril

## ⚠️ AVERTISSEMENT



### Risque d'explosion

Ne pas remiser une bouteille de combustible dans un garage ou à l'intérieur de la résidence.

Ne pas remiser le gril avec un réservoir de combustible dans un garage ou à l'intérieur de la résidence.

Le non-respect de ces instructions peut causer un décès, une explosion ou un incendie.

## ⚠️ AVERTISSEMENT



### Risque d'incendie

Ne pas utiliser le gril à proximité de matériaux combustibles.

Ne pas remiser des matériaux combustibles à proximité du gril.

Le non-respect de ces instructions peut causer un décès ou un incendie.

## ⚠️ AVERTISSEMENT

### Risque d'empoisonnement alimentaire

Ne pas laisser des aliments en attente sur le gril pendant plus d'une heure avant ou après la cuisson.

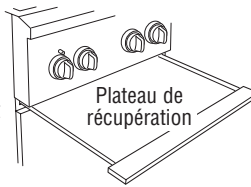
Le non-respect de ces instructions peut causer une intoxication alimentaire ou une maladie.

## Utilisation du gril

### Préparation de la source de gaz

1. Ouvrir complètement le capot. Ne pas allumer les brûleurs alors que le capot est fermé.

2. Vérifier que chaque bouton de commande est à la position de fermeture. Le plateau de récupération doit être en place et poussé jusqu'au fond à l'arrière.



3. Ouvrir l'arrivée de gaz :

- Gril mobile, avec bouteille de propane :

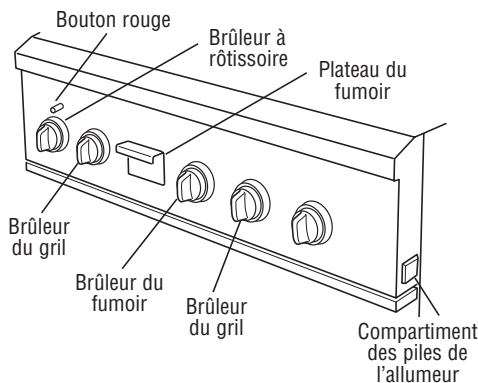
Ouvrir lentement (pas brusquement) le robinet de la bouteille de gaz.

**NOTE** : en cas d'activation du dispositif de limitation du débit, il peut être impossible d'allumer le gril. S'il demeure possible d'allumer le gril, la taille des flammes et le débit thermique seront insuffisants. Dans ce cas, fermer le robinet de la bouteille de gaz et tous les robinets de commande des brûleurs, et attendre 30 secondes. Après cela, ouvrir très lentement le robinet de la bouteille de gaz et attendre 5 secondes avant d'entreprendre l'allumage.

- Grils alimentés par une source de gaz autre qu'une bouteille de propane :

Tourner le robinet à la position d'ouverture depuis l'avant de la canalisation de gaz.

### Allumage du gril



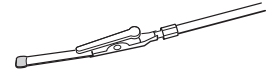
1. L'utilisateur ne doit pas se pencher au-dessus des brûleurs. Enfoncer et faire tourner le bouton de commande du brûleur choisi jusqu'à la position du débit thermique minimum "LITE".
2. Appuyer sur le bouton d'allumage correspondant. On doit percevoir le bruit de déclic du module d'étincelage. Maintenir le bouton enfoncé jusqu'à ce que le brûleur soit allumé. Vérifier la présence des flammes sur le brûleur. Répéter pour chacun des autres brûleurs, selon le besoin.

### IMPORTANT :

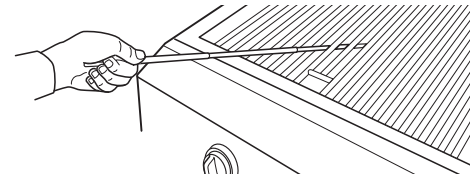
Si un brûleur ne peut s'allumer en 5 secondes, fermer le robinet de ce brûleur et attendre 5 minutes avant une autre tentative.

### Allumage manuel des brûleurs du gril principal

1. Ôter la rallonge d'allumage manuel de l'intérieur du plateau de récupération.
2. Fixer une allumette à la pince.



3. Frotter l'allumette pour l'allumer.
4. Guider soigneusement l'allumette allumée entre la grille du gril et l'une des fentes dans la plaque à saisir.



5. Enfoncer le bouton du brûleur le plus proche de l'allumette et le tourner à "LITE". Le brûleur s'allumera immédiatement.
6. Répéter les étapes 2 à 5 inclusivement pour chaque brûleur principal.
7. Replacer la rallonge d'allumage manuel à l'intérieur du plateau de récupération.

**IMPORTANT** : Si le brûleur ne s'allume pas immédiatement, tourner le bouton à "OFF" et attendre 5 minutes avant de le rallumer.

Si certains brûleurs ne s'allument pas après une tentative d'allumage manuel, communiquer avec le Centre d'assistance KitchenAid.

### Utilisation du brûleur latéral

## ⚠️ AVERTISSEMENT



### Risque de brûlures

Ne pas retirer la boîte du fumoir lorsque le gril est chaud.

Le non-respect de cette instruction peut causer des brûlures.

Ôter le couvercle du brûleur latéral. Ne pas allumer le brûleur avec le couvercle en place.

### Allumage du brûleur latéral

1. L'utilisateur ne doit pas se pencher

au-dessus des brûleurs. Enfoncer et faire tourner le bouton de commande du brûleur choisi jusqu'à la position du débit thermique minimum "LITE".

2. Appuyer sur le bouton d'allumage du brûleur. On doit percevoir le bruit de déclic du module d'étincelage. Maintenir le bouton d'allumage du brûleur enfoncé jusqu'à ce que le brûleur soit allumé. Vérifier la présence des flammes sur le brûleur. Répéter pour l'autre brûleur au besoin.

**IMPORTANT :** Si le brûleur ne s'allume pas immédiatement, tourner le bouton du brûleur à "OFF" et attendre 5 minutes avant de le rallumer.

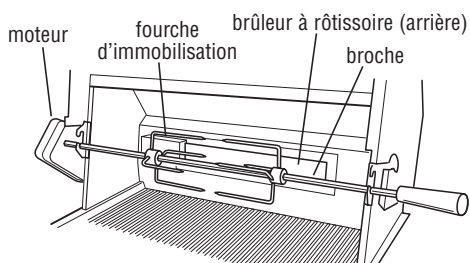
### Allumage manuel des brûleurs

1. Utiliser une allumette en papier pour allumer les brûleurs.
2. Enfoncer le bouton du brûleur le plus proche de l'allumette et le tourner à "LITE". Le brûleur s'allumera immédiatement.

**IMPORTANT :** Si le brûleur ne s'allume pas immédiatement, tourner le bouton du brûleur à "OFF" et attendre 5 minutes avant de le rallumer.

Si certains brûleurs ne s'allument pas après une tentative d'allumage manuel, communiquer avec le Centre d'assistance KitchenAid.

### Utilisation de la rôtissoire



Pour l'obtention des meilleurs résultats, ne pas utiliser les brûleurs de la section principale du gril lors de l'emploi de la rôtissoire.

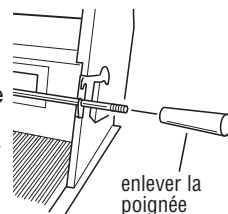
La rôtissoire permet de cuire les aliments sous l'effet d'un rayonnement infrarouge intense émanant de l'arrière de l'appareil.

1. Enlever la grille de réchauffage.
2. Installer le moteur de la rôtissoire sur la bride de montage du gril. Veiller à le placer solidement dans les crochets de la bride de support.
3. Pour la mise en place des aliments sur la broche, enfiler l'une des fourches d'immobilisation sur la broche, pointes orientées du côté opposé à la poignée.
4. Enfiler la broche à travers le centre de l'aliment, puis enfiler la seconde fourche d'immobilisation sur la broche.

5. Centrer l'aliment et les fourches d'immobilisation sur la broche, et serrer les écrous de blocage. Si nécessaire, immobiliser les morceaux d'aliment avec de la ficelle de boucherie seulement.
6. Lorsque l'aliment est correctement positionné sur la broche, engager l'extrémité pointue de la broche dans la cavité du moteur d'entraînement, et poser la broche sur ses supports de part et d'autre du gril.

### IMPORTANT :

Sur le modèle KBGS292PSS, enlever la poignée de la broche lors de l'utilisation du brûleur latéral. La poignée deviendra "CHAUDE" et si elle est laissée en place, elle risque de craquer et de fondre.



7. Brancher la fiche monobroche sur le moteur de la rôtissoire.

## ⚠ AVERTISSEMENT



### Risque de choc électrique

**Brancher sur une prise de courant à 3 alvéoles, reliée à la terre.**

**Ne pas enlever la broche de liaison à la terre.**

**Ne pas utiliser un adaptateur.**

**Ne pas utiliser un câble de rallonge.**

**Le non-respect de ces instructions peut causer un décès, un incendie ou un choc électrique.**

8. Brancher la fiche à 3 broches sur une prise de courant reliée à la terre.

Lorsque la rôtissoire n'est pas utilisée, enlever le moteur pour le remettre à l'intérieur; ne pas le laisser à l'extérieur. Retirer la broche et les fourches d'immobilisation. Remiser ces accessoires en lieu sûr, hors d'atteinte des enfants.

### Allumage du brûleur à rôtissoire

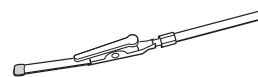
1. Enfoncer et faire tourner le bouton du brûleur de la rôtissoire à la position "LITE".
2. Enfoncer simultanément le bouton rouge (côté gauche) et le bouton de l'allumeur (côté droit); on doit percevoir un bruit de déclic.
3. Après l'allumage du brûleur à rôtissoire, lâcher le bouton de l'allumeur, mais maintenir la pression sur le bouton rouge pendant encore 5 à 10 secondes.

### IMPORTANT :

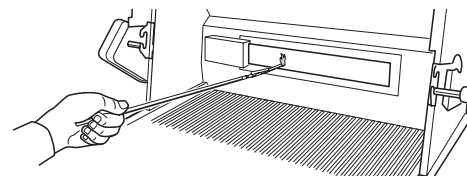
Si le brûleur de la rôtissoire ne s'allume pas, ramener le bouton du robinet à la position de fermeture; attendre 5 minutes avant de recommencer.

### Allumage manuel du brûleur à rôtissoire

1. Ôter la rallonge manuelle d'allumage de l'intérieur du plateau de récupération.
2. Fixer une allumette à la pince.



3. Frotter l'allumette pour l'allumer.
4. Tenir avec précaution l'allumette allumée à proximité du brûleur à rôtissoire.



5. Enfoncer le bouton de commande du brûleur à rôtissoire et le tourner à "LITE".
6. Enfoncer le bouton rouge au-dessus du bouton de commande du brûleur à rôtissoire, le brûleur s'allumera immédiatement. Maintenir le bouton enfoncé pendant 5 à 10 secondes et tourner le bouton loin de "LITE" à "HI".
7. Replacer la rallonge d'allumage manuel à l'intérieur du plateau de récupération.

### IMPORTANT :

Si le brûleur à rôtissoire ne s'allume pas immédiatement, tourner le bouton du brûleur à rôtissoire à "OFF" et attendre 5 minutes avant de le rallumer.

## Utilisation de la boîte du fumoir

### **AVERTISSEMENT**



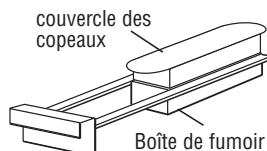
#### Risque de brûlures

Ne pas retirer la boîte du fumoir lorsque le grill est chaud.

Le non-respect de cette instruction peut causer des brûlures.

L'utilisation des plateaux de fumage est facile. Après avoir choisi le type de copeaux de bois à utiliser, exécuter les instructions fournies avec les copeaux de bois. On recommande l'emploi de copeaux ou granules de petite taille.

1. Faire sortir le plateau et le couvercle du compartiment de fumage.



2. Enlever le couvercle; placer le couvercle à l'envers pour le remplir avec les copeaux préparés.
3. Retourner le plateau de fumage pour le placer par-dessus le couvercle contenant les copeaux. Maintenir le couvercle et le plateau ensemble et remettre l'ensemble à l'endroit.
4. Installer le plateau avec son couvercle dans le compartiment de fumage après l'allumage du brûleur de copeaux.

Allumer les brûleurs du fumoir cinq (5) minutes avant de commencer l'opération de fumage. Ce dispositif de conception spéciale permet le fumage d'aliments pendant que les brûleurs du grill ou de la rôtissoire en assurent la cuisson. Pour maximiser l'effet de fumage, maintenir le capot de l'appareil fermé.

## Allumer le brûleur du fumoir

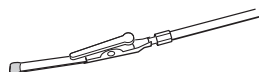
1. Enfoncer et tourner le bouton du brûleur du fumoir sur "LITE" (allumer). Vous entendrez un bruit d'enclenchement.

2. Lorsque le brûleur du fumoir s'allume, tourner le bouton sur "HI" (chaud).

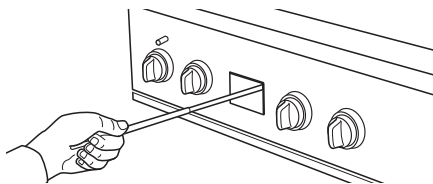
**IMPORTANT** : Si le brûleur du fumoir ne s'allume pas immédiatement, tourner le bouton du brûleur sur "OFF" (arrêt) et attendre 5 minutes avant de rallumer.

### Allumage manuel du brûleur du fumoir

1. Ôter le plateau de fumage.
2. Ôter la rallonge d'allumage manuel de l'intérieur du plateau de récupération.
3. Fixer une allumette à la pince.



4. Frotter l'allumette pour l'allumer.
5. Guider soigneusement l'allumette allumée dans le compartiment de fumage d'où a été retiré le plateau.



6. Enfoncer le bouton pour le brûleur du fumoir et le tourner à "LITE", le brûleur s'allumera immédiatement. Lorsque le brûleur est allumé, tourner le bouton loin de "LITE" à "HI."
7. Replacer le plateau de fumage.
8. Replacer la rallonge d'allumage manuel à l'intérieur du plateau de récupération.

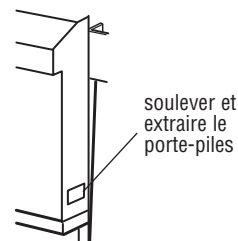
**IMPORTANT** : Si le brûleur du fumoir ne s'allume pas immédiatement, tourner le bouton du brûleur à "OFF" et attendre 5 minutes avant de le rallumer.

Toujours laisser la boîte refroidir avant de l'enlever ou avant le nettoyage.

## Entretien du grill

### Remplacement de la pile de l'allumeur

Le système d'allumage des brûleurs de l'appareil peut être alimenté par une ou deux piles. Si un allumeur ne produit pas d'étincelles, on doit remplacer la(les) pile(s).



1. Soulever en bas du logement des piles et extraire le porte-piles.
2. Remplacer chaque pile par une pile alcaline de 9 volts.
3. Réinstaller le porte-piles dans le compartiment.

# Conseils pour la cuisson au grill

## ⚠️ AVERTISSEMENT

### Risque d'empoisonnement alimentaire

Ne pas laisser des aliments en attente sur le grill pendant plus d'une heure avant ou après la cuisson.

Le non-respect de ces instructions peut causer une intoxication alimentaire ou une maladie.

## Avant la cuisson au grill

- Décongeler chaque aliment avant la cuisson au grill.
- Préchauffer le grill à la puissance maximale (utiliser tous les brûleurs de grill) pendant 7 à 10 minutes. Le capot doit être fermé durant le préchauffage. Ne pas utiliser le brûleur à rôtissoire arrière pour le préchauffage. Le préchauffage permet d'accumuler la chaleur nécessaire pour le brunissage et pour la rétention des jus.
- Réduire le temps de préchauffage avant la cuisson d'une volaille ou d'une viande très grasse (cuisses de poulet). Ceci minimisera la combustion de graisse.
- Huiler légèrement le grill ou les aliments avant la cuisson d'aliments à faible teneur en graisse - poisson ou volaille, hamburger maigre, crevettes, ou poitrines de poulet sans peau.
- Un excès d'huile peut provoquer le dépôt de cendre grise sur les aliments.
- Enlever l'excès de gras avant la cuisson, pour éviter la combustion de graisse.
- Pour éviter qu'une pièce de viande se déforme durant la cuisson, faire des entailles verticales à intervalles de 2 po autour du bord gras.
- Assaisonner/saler seulement après l'achèvement de la cuisson.

## Durant la cuisson au grill

- Retourner les aliments une fois seulement. Si on les retourne plusieurs fois, on constatera une perte de jus.
- Retourner une pièce de viande seulement lorsque du jus commence à apparaître à la surface.
- Éviter de piquer ou couper une pièce de viande pour évaluer l'avancement de la cuisson; ceci suscite une perte de jus.

- Il peut être nécessaire de réduire la puissance de chauffage pour la cuisson d'aliments à cuisson lente, ou qui ont été marinés ou badigeonnés avec une sauce sucrée.
- Dans le cas de l'emploi d'une grande flamme, ajouter la sauce barbecue seulement durant les 10 dernières minutes de la cuisson, pour éviter la combustion de la sauce.
- L'avancement de la cuisson est influencé par divers facteurs – type de viande (taille, forme et épaisseur), puissance de chauffage, durée de la cuisson sur le grill.
- L'ouverture du capot de l'appareil augmente le temps de cuisson.

## Boîte du fumoir

La boîte du fumoir contient des granules ou copeaux de bois qui permettent de transmettre une saveur particulière aux aliments durant la cuisson sur le grill ou à la rôtissoire. Pour l'obtention des meilleurs résultats, on doit laisser le capot fermé pendant la plus grande partie de la cuisson.

- La quantité et la taille des copeaux de bois, ainsi que la durée de la cuisson, déterminent l'intensité de la saveur de fumée.
- Lors de l'emploi de granules ou copeaux de bois, on doit toujours respecter les instructions fournies avec ce produit. Pour augmenter l'effet du fumage, faire tremper des copeaux dans de l'eau avant de les placer dans la boîte du fumoir.

## Guide d'utilisation des granules ou copeaux de bois :

*Aulne* : Goût de fumée acidulé, d'intensité moyenne. Superbe pour saumon et autres poissons, poulet ou gibier.

*Érable* : Saveur douce et agréable. Bon pour poisson, viande séchée ou bacon.

*Pommier* : Légère saveur douce. Superbe avec volaille, jambon ou saucisse.

*Hickory* : Intense saveur de fumée. Bon pour boeuf, porc ou gibier.

*Mesquite* : Légère saveur de fumée. Bon pour poisson, volaille ou boeuf.

*Chêne* : Intense saveur de fumée. Bon pour boeuf, agneau ou porc.

*Pacanie* : Saveur douce et riche. Utilisable avec pratiquement tout.

*Vigne* : Forte saveur de fumée. Bon pour boeuf ou volaille.

# Méthodes de cuisson

## Chaleur directe

Pour la cuisson avec application directe de chaleur, on place les aliments sur les grilles directement au-dessus des brûleurs allumés. La position du capot affecte le temps de cuisson total.

La chaleur directe provoque le scellement superficiel des aliments. Une brève période d'application de chaleur directe permet ainsi de retenir les jus naturels, tandis que la surface est brunie et forme une savoureuse couche typique de la grillade.

## Chaleur indirecte

Ne pas employer la méthode de cuisson par chaleur indirecte par temps venteux.

Les aliments sont placés sur la grille au-dessus d'un brûleur non allumé, et ils reçoivent indirectement la chaleur émise par l'autre brûleur d'un côté ou de l'autre, ou des deux côtés.

Si possible, allumer deux brûleurs. Abaisser le capot; ceci réduira le temps de cuisson.

## Cuisson indirecte

Placer les aliments seulement sur la grille au-dessus des brûleurs éteints.

	Brûleur			
	1	2	3	4
gril de 27 po	Marche	Éteint	—	—
gril de 36 po	Marche	Éteint	Marche	—

# Tableau de cuisson au grill

- Les boutons de réglage du débit de gaz comportent des repères pour divers niveaux de la puissance de chauffage : Maxi, Moyen et Mini.
- Les puissances de chauffage indiquées sont approximatives.
- Les temps de cuisson indiqués ici correspondent à la situation avec deux brûleurs adjacents allumés, les aliments étant placés sur la grille entre les deux brûleurs (chaleur directe).
- Les conditions météorologiques peuvent affecter le temps de cuisson.
- Enlever l'excès de graisse sur les bords des côtelettes et steaks. Entailler ce qui reste du bord gras à intervalles de 2 po, pour éviter la déformation de la pièce de viande.
- Si 2 puissances de chauffage sont indiquées (par exemple Moyen – Moyen/Mini), commencer avec la première, puis ajuster en fonction de l'évolution de la cuisson.
- Le temps de cuisson peut varier, selon le type de gaz utilisé : gaz naturel/propane.

Produit alimentaire	Méthode de cuisson/ réglage du brûleur	Temps de cuisson	Instructions spéciales
<b>Boeuf</b>			
Hamburgers Épaisseur 1/2 à 3/4 po	DIRECTE Moyen	Moyen (160°F) Total 10-15 minutes	Faire griller; retourner une fois.
Rôtis Faux-filet, surlonge	INDIRECTE Moyen/ARRÊT/Moyen	Moyen/saignant (145°F) à Moyen (160°F) 32-40 minutes par lb	Recouvrir avec de la feuille d'aluminium pendant les premières 45-60 minutes de la cuisson.
Steaks Aloyau, côtelette, entrecôte, pointe de longe, surlonge, 1 po	DIRECTE Moyen	Moyen/saignant (145°F) à Moyen (160°F) Total 11-16 minutes	Réorienter les steaks de 1/4 tour pour que la grille forme des marques croisées.
Aloyau, côtelette, entrecôte, pointe de longe, surlonge, 1-1/2 po	DIRECTE Moyen	Moyen/saignant (145°F) à Moyen (160°F) Total 18-25 minutes	
Ronde ou épaule/pièce à braiser Épaisseur 1-1/2 po	DIRECTE Moyen	Moyen/saignant (145°F) à Moyen (160°F) Total 22-29 minutes	
Steak de flanc Épaisseur 1/2 po	DIRECTE Moyen	Moyen/saignant (145°F) Total 11-16 minutes	
<b>Porc</b>			
Côtelettes, épaisseur 1 po	DIRECTE Moyen à Moyen/Mini	Moyen (160°F) Total 12-20 minutes	
Épaisseur 1-1/2 po	DIRECTE Moyen à Moyen/Mini	Moyen (160°F) Total 30-40 minutes	
Côtes 2-1/2 à 4 lb	INDIRECTE Moyen/ARRÊT/Moyen	Moyen (160°F) Total 40-60 minutes	Faire griller; retourner occasionnellement. Durant les dernières minutes de la cuisson, badigeonner avec une sauce barbecue si désiré. Après la cuisson, envelopper dans de la feuille d'aluminium - 1 heure.
Rôti. Sans os Filet 1 lb	DIRECTE Moyen	Moyen (160°F) Total 18-22 minutes	Retourner durant la cuisson pour brunir chaque face.
Demi-jambon 8 à 10 lb	INDIRECTE Moyen/ARRÊT/Moyen	Réchauffage (140°F) Total 2 – 2,5 heures	Envelopper tout le jambon dans de la feuille d'aluminium avant de le placer sur le grill, sans plateau de récupération.
Steak de jambon précuit épaisseur 1/2 po	DIRECTE Préchauffage - Moyen Gril - Moyen	Réchauffage (140°F) Total 7-10 minutes	
Hot Dogs	DIRECTE Moyen	Réchauffage (145°F) Total 5-10 minutes	Entailler la peau si désiré.
<b>Poulet</b>			
Poitrine Désossée	DIRECTE Moyen	(170°F) Total 15-22 minutes	Pour une cuisson plus uniforme, aplatir à 3/4 po.
Morceaux 2 à 3 lb	DIRECTE Moyen/Mini à Moyen	Blanc de poitrine (170°F) Pilons (180°F) Total 18-25 minutes	Commencer avec le côté osseux vers le bas.

Produit alimentaire	Méthode de cuisson/ réglage du brûleur	Temps de cuisson	Instructions spéciales
<b>Agneau</b>			
Côtes et steaks Filet, côtelette, surlonge Épaisseur 1 po	DIRECTE Moyen	Moyen/saignant (145°F) à Moyen (160°F) Total 10-20 minutes	
Épaisseur 1 1/2 po	DIRECTE Moyen	Moyen/saignant (145°F) à Moyen (160°F) Total 16-20 minutes	
<b>Poisson et produits de la mer</b>			
Filets, darnes, morceaux, flétan, saumon, espadon 8 oz	DIRECTE Moyen	4-6 minutes pour chaque 1/2 po d'épaisseur du poisson	Faire griller; retourner une fois. Badigeonner la grille avec de l'huile pour éviter l'adhésion. Retirer lorsque la chair interne est opaque et se détache, tandis qu'on peut facilement enlever la peau
Poisson entier Poisson-chat, truite 8 - 11 oz	DIRECTE Maxi	5-7 minutes par côté	Faire griller; retourner une fois. Badigeonner la grille avec de l'huile pour éviter l'adhésion. Retirer lorsque la chair interne est opaque et se détache, tandis qu'on peut facilement enlever la peau
Mollusques, pétoncles, crevettes	DIRECTE Moyen	Total 4-8 minutes	
<b>Dinde</b>			
Blanc de poitrine entier (avec os)	INDIRECTE MAXI/ARRÊT/MAXI	(170°F) 14-18 minutes par lb	Recouvrir avec de la feuille d'aluminium, sauf pour les 30 dernières minutes de la cuisson.
Demi-poitrine (avec os)	INDIRECTE Moyen/ARRÊT/Moyen	(170°F) 25-30 minutes par lb	Commencer avec côté peau vers le bas.
Entière 7 à 12 lb	INDIRECTE MAXI/ARRÊT/MAXI	Blanc de poitrine (170°F) Pilons (180°F) 11-16 minutes par lb	Moins de 11 livres.
<b>Légumes frais</b>			
Épi de maïs	DIRECTE Moyen	Total 20-25 minutes	Faire tremper dans de l'eau froide pendant 20 minutes. Ne pas décortiquer. Secouer pour enlever l'excès d'eau
Aubergine	DIRECTE Moyen	Total 7-10 minutes	Laver et couper en tranches de 1/2 po ou dans le sens de la longueur. Badigeonner avec de l'huile d'olive.
Oignon, épaisseur 1/2 po	DIRECTE Moyen	Total 8-20 minutes	Faire griller; retourner une fois. Badigeonner avec de l'huile d'olive. Enfiler les morceaux sur une brochette.
Pommes de terre Douce, entières	DIRECTE Moyen	Total 40-70 minutes	Envelopper individuellement dans une feuille de papier aluminium. Faire griller en retournant de temps en temps.
Pour cuisson au four, entières	Maxi	Total 45-90 minutes	
Poivrons, rôtis	DIRECTE Maxi	Total 15-22 minutes	Laver les poivrons avant de les placer entiers sur la grille. Laisser la peau se carboniser tout autour. Laisser refroidir dans un sachet de papier ou un film de plastique pour qu'il soit facile de détacher la peau noircie. Peler et enlever les graines.
Courge, courgette	DIRECTE Moyen	Total 7-10 minutes	Laver et couper en tranches de 1/2 po ou dans le sens de la longueur. Badigeonner avec de l'huile d'olive.
Ail rôti	DIRECTE Moyen	Total 20-25 minutes	Couper le sommet pour l'enlever; parsemer un peu d'huile d'olive, et envelopper dans deux couches de feuille d'aluminium.

# Conseils pour la cuisson dans la rôtissoire

## ⚠️ AVERTISSEMENT

### Risque d'empoisonnement alimentaire

Ne pas laisser des aliments en attente sur le gril pendant plus d'une heure avant ou après la cuisson.

Le non-respect de ces instructions peut causer une intoxication alimentaire ou une maladie.

(Rôtissoire disponible sur certains modèles)

La rôtissoire fait tourner la pièce de viande devant un brûleur à rôtissoire; le produit alimentaire est ainsi exposé à la chaleur intense qui saisit la surface et permet la rétention des jus naturels.

- Le brûleur à rôtissoire établit la température de cuisson en une minute environ. Ne pas préchauffer l'appareil lors de l'utilisation de la rôtissoire.

- Choisir des pièces de viande et de volaille tendres. Laisser un espace d'au moins 1 po entre le brûleur à rôtissoire et les aliments.
- On peut utiliser la rôtissoire en conjonction avec le fumoir et/ou le gril.
- Pour faciliter le nettoyage, placer un plateau de récupération sous les aliments.
- Le capot peut être ouvert ou fermé mais il doit être fermé si on utilise simultanément la rôtissoire et le fumoir.
- Ajouter une sauce barbecue ou une glaçure seulement durant les 10 dernières minutes de la cuisson pour éviter la carbonisation de la sauce.

### Arrimage d'une volaille sur la broche pour la rôtissoire

- Enfiler l'une des fourches d'immobilisation sur la broche, pointes orientées du côté de la poignée. Serrer la vis de blocage.
- Enfiler la volaille sur la broche.
- Centrer sous la volaille un morceau de 24 po de ficelle de boucherie – la poitrine orientée vers le haut.

- Avec chaque brin de la ficelle, prendre prise sur une aile à l'extrémité. Ramener les brins ensemble au sommet pour nouer par-dessus la poitrine. Ne pas couper l'excès de ficelle.
- Placer un autre tronçon de 20 po de ficelle de boucherie sous le dos de la volaille; attacher ensuite parfaitement par-dessus la broche.
- Croiser les pattes par-dessus la broche; utiliser un autre brin de ficelle pour attacher par-dessus les pattes.
- Attacher le brin de ficelle qui immobilise les pattes avec le brin de ficelle qui immobilise les ailes, et faire un nœud. Couper l'excès de ficelle.
- Enfiler la seconde fourche d'immobilisation; les pointes doivent pénétrer dans les pilons.
- Centrer la volaille et les fourches sur la broche; serrer les vis. La volaille ne devrait pas tourner ni être desserrée de quelque manière que ce soit.

## Tableau de cuisson - Rôtissage

- Utiliser un thermomètre à viande pour contrôler la température interne.
- Éteindre le brûleur de la rôtissoire lorsque le thermomètre indique une température inférieure de 5°F à la température interne désirée. Poursuivre la rotation de la broche - capot fermé - pendant 10 minutes avant de commencer la découpe.
- Les conditions météorologiques – vent et température extérieure – affectent le temps de cuisson.

Aliment	Poids	Température interne (°F) ou degré de cuisson	Temps de cuisson approximatif
<b>Boeuf</b>			
Rôti	4-6 lb	Moyen-Saignant (145°F)	15-20 min. par lb
Faux-filet		Moyen (160°F)	20-25 min. par lb
Pointe de surlonge			
Côte, désossée			
<b>Volaille</b>			
Poulet	3-6 lb	blanc de poitrine (170°F) pilon (180°F)	25-30 min. par lb
Dinde, entière	7-10 lb	blanc de poitrine (170°F) pilon (180°F)	11-20 min. par lb
<b>Agneau</b>			
Gigot sans os	4-7 lb	Moyen (160°F)	20-25 min. par lb
<b>Porc</b>			
Rôti de longe, désossé	4-6 lb	Moyen (160°F)	20-23 min. par lb

# Nettoyage

## Conseils généraux

**IMPORTANT** : Avant le nettoyage, vérifier que chaque robinet de gaz est en position de fermeture et que le gril a refroidi. Appliquer les instructions qui accompagnent les produits de nettoyage.

Pour un nettoyage de routine, laver avec eau et savon – utiliser une éponge ou un linge doux. Rincer avec de l'eau propre puis sécher immédiatement avec un linge doux pour éviter de laisser des marques et des taches.

Ne jamais utiliser de la laine d'acier pour nettoyer le gril; ceci laisserait des éraflures sur la surface.

Utiliser une housse de gril en vinyle (disponible chez un revendeur local) pour protéger la finition contre les intempéries. Voir la section "Accessoires".

## Acier inoxydable

**IMPORTANT** : Ne pas utiliser de tampon de récurage savonneux, produit de nettoyage abrasif, crème de polissage de table de cuisson, laine d'acier, lavette abrasive ou d'essuie-tout en papier.

Ne pas utiliser un produit de nettoyage contenant du chlore, qui endommagerait le matériau.

Frotter dans la direction du grain pour éviter d'endommager la surface.

Après un renversement de produit alimentaire, nettoyer dès que le gril a refroidi. Les produits alimentaires renversés peuvent laisser des taches indélébiles.

- Utiliser le produit de polissage Stainless Steel Cleaner & Polish (pièce n° 4396095). Pour la commande, voir "Demande d'assistance ou de service".
- Utiliser un détergent liquide doux ou un produit de nettoyage polyvalent en suivant les instructions fournies avec le produit.
- Rincer avec de l'eau propre puis sécher immédiatement avec un linge doux sans peluches pour éviter de laisser des marques et des taches.
- Utiliser du vinaigre pour éliminer les taches laissées par de l'eau dure. Rincer avec de l'eau et bien sécher.
- Utiliser un produit de nettoyage du verre pour éliminer les taches de doigt.

## Grilles du gril

**IMPORTANT** : Ne jamais utiliser un grattoir d'acier ou de fibre sur les grilles.

Immédiatement après l'achèvement d'une opération de cuisson, détacher les résidus alimentaires avec une brosse à soies de laiton. Pour carboniser les résidus alimentaires, régler tous les brûleurs à la position du débit thermique maximum "HI" et laisser les brûleurs fonctionner pendant 10-15 minutes alors que le capot de l'appareil est fermé. Éteindre tous les brûleurs, ouvrir le capot, et laisser les grilles refroidir. Utiliser la brosse à soies de laiton pour éliminer les cendres résiduelles sur les grilles.

Lorsque l'appareil a complètement refroidi, on peut enlever les grilles pour un nettoyage approfondi. Nettoyer avec un détergent doux et de l'eau tiède.

Pour les souillures carbonisées, préparer une solution d'une tasse d'ammoniaque (250 mL) avec 1 gallon (3,75 L) d'eau. Faire tremper les grilles pendant 20 minutes, puis rincer avec de l'eau pure et faire sécher complètement.

## Grille de réchauffage

- Utiliser un détergent liquide doux (détergent à vaisselle) ou un produit de nettoyage polyvalent; appliquer les instructions fournies avec le produit. Rincer avec de l'eau propre et sécher avec un linge doux sans peluches.
- Pour les taches tenaces ou de graisse carbonisée, utiliser le dégraissant Whirlpool (pièce n° 31552); il s'agit d'un dégraissant commercial pour acier inoxydable. Voir la section "Demande d'assistance et de service" pour commander.

**IMPORTANT** : S'assurer que l'alimentation au gaz est éteinte et que tous les boutons de commande sont à la position de fermeture "OFF". S'assurer que le brûleur latéral est refroidi.

## Extérieur

Ce matériau de qualité peut résister à la plupart des produits susceptibles de former des taches ou de corroder d'autres matériaux, sous réserve que la surface soit maintenue propre et protégée.

- Avant la première utilisation, appliquer un produit de polissage de l'acier inoxydable sur toutes les surfaces qui n'interviennent pas pendant la cuisson. Effectuer une autre application après chaque opération de nettoyage, pour éviter que la surface subisse des dommages irréversibles.
- Chaque nettoyage devrait être suivi d'un rinçage avec de l'eau tiède propre.
- Pour le séchage, essuyer complètement la surface avec un linge doux.

- Pour les taches tenaces ou de graisse carbonisée, utiliser le dégraissant Whirlpool (pièce n° 31552); il s'agit d'un dégraissant commercial pour acier inoxydable. Voir la section "Demande d'assistance et de service" pour commander.

## Intérieur

Du fait de la chaleur intense générée par les brûleurs, on doit s'attendre à observer des changements de couleur des composants d'acier inoxydable.

- Chaque nettoyage devrait être suivi d'un rinçage avec de l'eau tiède propre.
- Utiliser un détergent liquide doux (détergent à vaisselle) ou un produit de nettoyage polyvalent en suivant les instructions fournies avec le produit. Rincer avec de l'eau propre et sécher avec un linge doux non pelucheux.
- On peut utiliser une éponge à récurer (service rigoureux) avec un produit de nettoyage doux. Toujours frotter dans la direction du grain.
- Pour une zone de petite taille et difficile à nettoyer, utiliser le dégraissant Whirlpool (pièce n° 31552); il s'agit d'un dégraissant commercial pour acier inoxydable. Voir la section "Demande d'assistance et de service" pour commander.

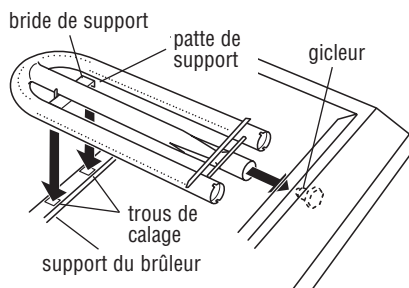
## Chapeaux de brûleur latéral et grille.

- Nettoyer avec une brosse à soies de laiton.
- Laver la grille - utiliser un détergent doux, de l'eau tiède et un agent dégraissant.
- Rincer avec de l'eau propre; sécher avec un chiffon doux exempt de peluches.
- Utiliser le produit de polissage Stainless Steel Cleaner & Polish (produit n° 4396095); pour la commande, voir la section "Demande d'assistance ou de service."

## Brûleurs en U

- Nettoyer l'extérieur du brûleur avec une brosse métallique.
- Utiliser une tige métallique (trombone redressé) pour éliminer tout résidu obstruant des orifices du brûleur. Ne jamais utiliser un cure-dents, qui pourrait se briser et obstruer l'entrée de gaz.
- Utiliser une lampe de poche pour pouvoir examiner l'intérieur du brûleur à travers l'orifice d'entrée, pour vérifier l'absence de toute obstruction. Le cas échéant, utiliser un cintre métallique redressé pour éliminer tout débris qui pourrait obstruer le brûleur.

Après avoir vérifié l'absence d'obstruction à l'intérieur du brûleur, réinstaller le brûleur : enfiler le tube central par-dessus le gicleur, puis insérer les pattes de la bride de support du brûleur dans les trous de calage.



## Plateau de récupération

**IMPORTANT** : On ne doit retirer le plateau de récupération que lorsque l'appareil a complètement refroidi.

Le plateau de récupération (pleine largeur) retient les particules de graisse et d'aliments qui tombent à travers le grill. Retirer le plateau pour le placer sur une surface plane.

- Enlever l'excès de graisse avec des essuie-tout de papier.
- Nettoyer avec un détergent doux et de l'eau tiède. Rincer et bien sécher. Réinstaller le plateau.
- Nettoyer fréquemment le plateau pour éviter l'accumulation d'une grande quantité de graisse.

## Boîte du fumoir

### **AVERTISSEMENT**



#### Risque de brûlures

**Ne pas retirer la boîte du fumoir lorsque le grill est chaud.**

**Le non-respect de cette instruction peut causer des brûlures.**

**IMPORTANT** : Une fois la cuisson terminée, laisser le grill et la boîte du fumoir refroidir complètement avant d'entreprendre un nettoyage.

- Faire coulisser la boîte vers l'avant pour l'enlever. Jeter les cendres.
- Laver la boîte avec un détergent liquide doux ou un produit de nettoyage polyvalent; procéder selon les instructions fournies avec le produit. Rincer avec de l'eau propre et sécher avec un linge doux sans peluches. Réinstaller la boîte.
- La chaleur générée par les brûleurs et par la combustion des copeaux de bois provoquera un changement de couleur de la boîte et de son couvercle.

## Boutons, matière plastique et rebord de l'appareil autour des boutons

**IMPORTANT** : Ne pas utiliser de laine d'acier, produit de nettoyage abrasif, ou produit de nettoyage de four.

Ne pas faire tremper les boutons.

- Laver avec un détergent doux et de l'eau tiède, avec un chiffon doux. Rincer et faire sécher.

## Éléments graphiques du panneau de commande

**IMPORTANT** : Ne pas utiliser de laine d'acier, produit de nettoyage abrasif, ou produit de nettoyage de four.

Ne pas pulvériser le produit de nettoyage directement sur le panneau.

Nettoyer délicatement autour des étiquettes des brûleurs; le lavage peut effacer les éléments imprimés.

- Laver avec un détergent doux et de l'eau tiède, avec un chiffon doux. Rincer et faire sécher.

## Poignée de la broche de la rôtissoire (Sur certains modèles)

- Ne pas utiliser de laine d'acier, produit de nettoyage abrasif, ou produit de nettoyage de four.

- Laver avec un détergent doux et de l'eau tiède, avec un chiffon doux. Rincer et faire sécher.

## Broche et fourches de la rôtissoire (Sur certains modèles)

- Laver avec un détergent doux et de l'eau tiède, avec un chiffon doux. Rincer et faire sécher.
- Pour les taches tenaces, utiliser un produit de nettoyage polyvalent, une éponge à récurer (service rigoureux) ou un produit de nettoyage abrasif peu énergétique.

# Accessoires

## Portes d'accès personnalisées - disponibles chez le revendeur.

- 68,6 cm (27 po) : Ensemble Portes n° 4396314
- 91,4 cm (36 po) : Ensemble Portes n° 4396315
- 99,1 cm (39 po) : Ensemble Portes n° 4396316

## Housses de protection en vinyle - disponibles chez le revendeur.

### Modèles stationnaires :

- 68,6 cm (27 po) : Housse n° 4396323
- 91,4 cm (36 po) : Housse n° 4396325
- 99,1 cm (39 po) : Housse n° 4396327

# Garantie

<b>Garantie du gril à gaz KitchenAid®</b>	
<b>DURÉE DE LA GARANTIE</b>	<b>KitchenAid PAIERA POUR :</b>
<b>GARANTIE TOTALE D'UNE ANNÉE</b> À compter de la date d'achat	<b>Pièces spécifiées par l'usine et main-d'œuvre d'intervention</b> pour l'élimination des vices de matériaux OU de fabrication. Le travail doit être exécuté par une entreprise de service après-vente agréée par KitchenAid.
<b>Garantie limitée de cinq ans</b> De la seconde à la cinquième année inclusivement à compter de la date d'achat. Pièces seulement	Pendant cinq ans à compter de la date d'achat, lorsque le gril est utilisé conformément aux instructions fournies avec le produit, KitchenAid paiera le coût des pièces spécifiées par l'usine pour l'élimination des vices de matériaux ou de fabrication. KitchenAid garantit également qu'aucun vice de matériau ou de fabrication n'affecte l'intégrité structurale du gril à gaz utilisé dans les conditions normales recommandées, pendant une période de cinq ans à compter de la date d'achat.
<b>Garantie limitée – vie entière</b> sur tous les composants en acier inoxydable, y compris les brûleurs en acier inoxydable	KitchenAid garantit que le carénage d'acier inoxydable du gril utilisé dans les conditions normales d'utilisation familiale est exempt de vice de matériaux ou de fabrication, pendant toute la durée de vie utile de l'appareil. Ceci ne couvre pas les détériorations de la finition, comme éraflures ou changement de couleur, qui peuvent survenir dans le cadre de l'utilisation régulière. KitchenAid garantit l'intégrité structurale des brûleurs d'acier inoxydable du gril utilisé dans les conditions normales d'utilisation familiale et l'absence de vice de matériaux ou de fabrication, pendant toute la durée de vie utile de l'appareil. La garantie ci-dessus ne couvre que le coût de remplacement des composants cités ci-dessus.
<b>KitchenAid NE PAIERA PAS POUR :</b>	
<p>A. Installation du gril ou réparation de dommages imputables à une installation incorrecte, ou au non-respect des exigences du code local.</p> <p>B. Expédition, livraison, dépose et réinstallation du gril – le gril est conçu pour être réparé sur place.</p> <p>C. Intervention pour :</p> <ol style="list-style-type: none"> <li>1. Correction de l'installation du gril à gaz KitchenAid.</li> <li>2. Instruction de l'utilisateur pour l'utilisation du gril à gaz KitchenAid.</li> <li>3. Remplacement des fusibles ou modification du câblage électrique de la résidence.</li> <li>4. Travaux d'entretien de routine, ceci incluant le remplacement périodique de joints, raccords, etc.</li> </ol> <p>D. Ensemble des composants de conversion ou intervention de conversion de l'appareil pour changement de combustible (gaz naturel/propane).</p> <p>E. Réparations, lorsque le gril à gaz est utilisé autrement que dans le cadre du service normal d'une résidence unifamiliale.</p> <p>F. Dommages imputables à une négligence, un accident, un mésusage, un incendie, une inondation, une catastrophe, un désastre naturel, ou l'utilisation d'un produit non approuvé par KitchenAid ou KitchenAid Canada (ceci incluant les produits de nettoyage non approuvés).</p> <p>G. Réparations sur des composants ou l'ensemble, imputables à une modification non autorisée de l'appareil.</p> <p>H. Au Canada, frais de déplacement lorsque le client réside en un lieu éloigné.</p> <p>I. Pièces de rechange et frais de réparation pour un appareil utilisé hors des États-Unis ou du Canada.</p> <p>J. Frais de main-d'œuvre durant la période de garantie limitée.</p> <p>K. Détériorations imputables à l'usure normale du gril à gaz.</p>	

**Avis concernant l'installation d'un gril à gaz KitchenAid.** Un accès à la source de gaz doit être disponible. Installer et utiliser chaque gril à gaz conformément aux instructions fournies avec le produit.

**KitchenAid et KitchenAid Canada déclinent toute responsabilité au titre de dommages secondaires ou indirects. Toute garantie implicite de qualité marchande ou d'aptitude du produit pour une application particulière est limitée dans le temps à la durée de validité de cette garantie.** Certaines provinces ne permettent pas l'exclusion ou la limitation des dommages secondaires ou indirects, ou la limitation de la durée de validité des garanties implicites; par conséquent ces exclusions ou limitations peuvent ne pas vous être applicables. Cette garantie vous confère des droits juridiques spécifiques; vous pouvez également jouir d'autres droits, variables d'une province à une autre.

**Hors des États-Unis et du Canada, l'appareil peut être couvert par une garantie différente. Pour les détails, contacter le revendeur agréé du gril à gaz KitchenAid.**

Pour tout besoin d'assistance, consulter d'abord la section "Utilisation du gril" dans cette brochure. Pour obtenir une aide supplémentaire, contacter le centre d'interaction avec la clientèle KitchenAid au 1-800-422-1230 aux É.-U., ou au 1-800-807-6777 au Canada.

## Demande d'assistance ou de service

Pour éviter des interventions de dépannage non nécessaires, veuillez consulter la section "Utilisation du gril". Ceci pourrait vous éviter le coût d'une intervention de dépannage. Si une assistance demeure nécessaire, procéder selon les instructions ci-dessous.

## Si vous avez besoin d'assistance ou de service aux É.-U.

Composez le numéro sans frais 1-800-422-1230.

Nos consultants sont disponibles pour vous aider.



Lors de votre appel, veuillez connaître la date d'achat et les numéros au complet de modèle et de série de votre appareil. Ces renseignements nous aideront à mieux répondre à votre demande.

Nos consultants vous renseigneront sur les sujets suivants :

- Caractéristiques et spécifications de notre gamme complète d'appareils électroménagers
- Renseignements sur l'installation

- Méthodes d'utilisation et d'entretien
- Vente de pièces de rechange et d'accessoires
- Assistance spécialisée à la clientèle (langue espagnole, malentendants, malvoyants, etc.)
- Coordonnées des revendeurs, compagnies de service de réparation, et distributeurs de pièces de rechange locaux.

Les techniciens de service désignés par KitchenAid ont reçu une formation qui leur permet d'effectuer les travaux de réparation sous garantie et le service après-garantie partout aux États-Unis.

Vous pouvez également consulter les Pages Jaunes de l'annuaire téléphonique pour identifier une compagnie de service agréée KitchenAid dans votre région.

## Si vous avez besoin de pièces de rechange

Si vous devez commander des pièces de rechange, nous vous recommandons d'utiliser seulement les pièces de rechange d'origine. Ces pièces de rechange conviendront et fonctionneront bien parce qu'elles sont fabriquées selon les mêmes spécifications précises appliquées lors de la fabrication de chaque nouvel appareil ménager KitchenAid.

Pour localiser des pièces de rechange d'origine dans votre région, composer le 1-800-422-1230 pour obtenir l'adresse du plus proche centre de service agréé, ou contacter le département de service après-vente de KitchenAid au 1-800-442-1111.

## Pour plus d'assistance

Si vous avez besoin de plus d'assistance, vous pouvez nous écrire en soumettant toute question ou problème à :

KitchenAid Brand Home Appliances  
Customer Interaction Center  
c/o Correspondence Dept.  
2000 North M-63  
Benton Harbor, MI 49022-2692

Veuillez indiquer dans votre correspondance un numéro de téléphone où l'on peut vous joindre durant dans la journée.

# Demande d'assistance ou de service

Avant de nous contacter pour de l'assistance ou un service, veuillez consulter la section "Utilisation du gril". Ceci pourrait vous éviter le coût d'une intervention de dépannage. Si une assistance demeure nécessaire, procéder selon les instructions ci-dessous.

## Si vous avez besoin d'assistance ou de service au Canada

### 1. Si le problème n'est pas attribuable à l'une des causes indiquées dans "Dépannage / Contrôle du fonctionnement"†...



Communiquer avec le commerçant qui a vendu l'appareil électroménager, ou téléphoner sans frais au 1-800-422-1230.

### 2. Si vous avez besoin de service†...

Communiquer avec la plus proche succursale ou le plus proche établissement de service agréé de KitchenAid Canada (voir la liste ci-dessous). S'assurer que la compagnie de service contactée est agréée pour effectuer l'entretien de votre appareil pendant la période de garantie.

†Lorsque vous demandez de l'assistance ou une intervention, veuillez fournir une description détaillée du problème, les numéros (complets) de modèle et de série de l'appareil, et la date d'achat. Ces renseignements nous aideront à mieux répondre à votre demande.

### Service pour les appareils KitchenAid Canada – Service à la clientèle

Succursales de service direct :

COLOMBIE-BRITANNIQUE		1-800-665-6788
ALBERTA		1-800-661-6291
ONTARIO (à l'exception de l'indicatif régional 807)	Région d'Ottawa En dehors de la région d'Ottawa	1-800-267-3456 1-800-807-6777
MANITOBA, SASKATCHEWAN et indicatif régional 807 en ONTARIO		1-800-665-1683
QUÉBEC	Montréal (à l'exception de la Rive-Sud) Montréal - Rive-Sud Québec Sherbrooke	1-800-361-3032 1-800-361-0950 1-800-463-1523 1-800-567-6966
PROVINCES DE L'ATLANTIQUE		1-800-565-1598

## Pour plus d'assistance

Si vous avez besoin de plus d'assistance, vous pouvez nous écrire en soumettant toute question ou problème à KitchenAid Canada à :

Service des relations avec la clientèle  
KitchenAid Canada  
1901 Minnesota Court  
Mississauga, Ontario L5N 3A7

Veuillez indiquer dans votre correspondance un numéro de téléphone où l'on peut vous joindre dans la journée.

Pièce n° 9758067

© 2003 KitchenAid.

® Marque déposée/Marque de commerce de KitchenAid, U.S.A., KitchenAid porteur de licence au Canada

**KitchenAid**<sup>®</sup>  
APPAREILS MÉNAGERS<sup>®</sup>

Préparé par KitchenAid, Benton Harbor, Michigan 49022

Imprimé aux É.-U.