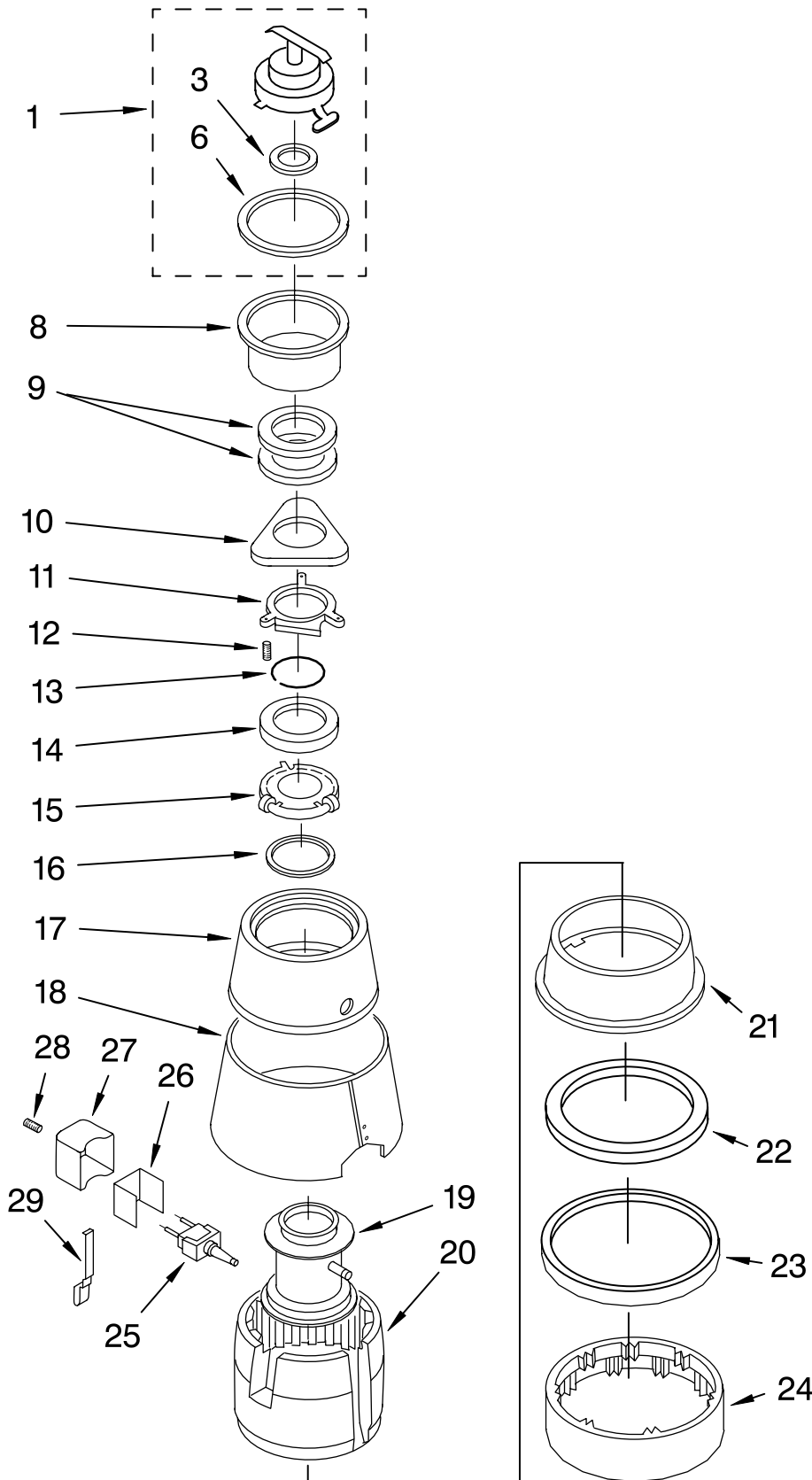


UPPER HOUSING AND FLANGE PARTS

DISPOSER

KitchenAid®

For Model: KBDS250X3



Illus. No.	Part No.	DESCRIPTION
1	4211409	Stopper Assembly
3	4211355	Gasket, Stopper (Inner)
6	4211410	Gasket, Stopper (Outer)
8	4211553	Flange, Strainer
9	4211302	Gasket, Sink Flange (2)
10	4211303	Flange, Backup
11	4211304	Flange, Mounting
12	4211305	Screw, Backup (3)
13	4211306	Ring, Retaining
14	4211411	Gasket, Mounting
15	4211308	Flange, Body
16	4211359	Gasket, Body
17	4211443	Shell Assembly, Trim (Top)
18	4211413	Band, Trim Assembly
19	8174295	Container, Body Assembly (Includes Sound Insulation)
20	4211420	Insulation, Top
21	4211421	Body, Lower
22	4211365	Gasket, Shredder
23	4211366	Insulation, Sound
24	4211367	Shredder, Stationary
25	8174292	Switch, Pushbutton
26	4211416	Insulation, Switch Cover
27	4211417	Cover, Switch
28	4211418	Screw, Tapping
29	4211419	Bracket, Wire Cover

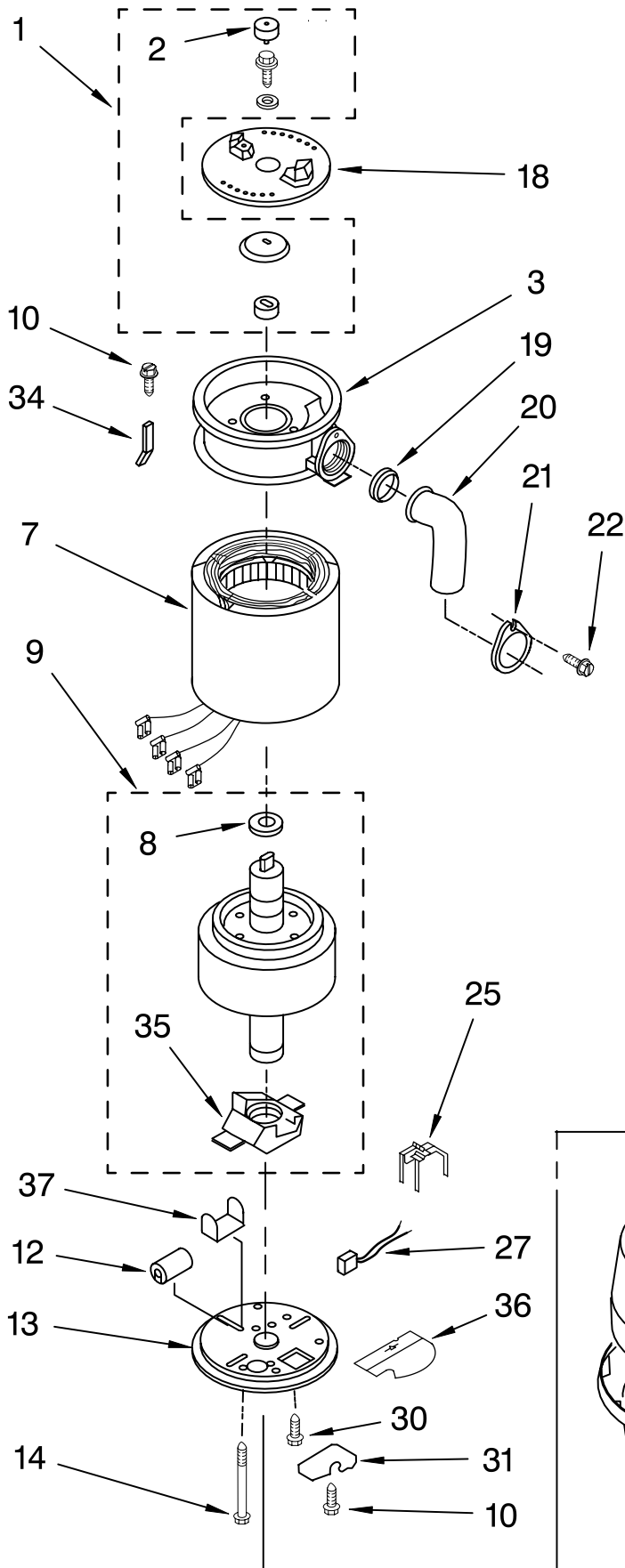
Following Parts Not Illustrated

- LIT4211563 Guide, Use And Care
- LIT4211562 Instructions, Installation (English)
- LIT8174320 Instruction Assy

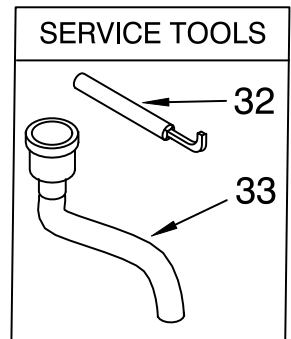
FOR ORDERING INFORMATION REFER TO PARTS PRICE LIST

LOWER HOUSING AND MOTOR PARTS

For Model: KBDS250X3



Illus. No.	Part No.	DESCRIPTION
1	4211578	Kit, Sleeve And Seal (Includes Plug, Bolt, Washer, Slinger And Sleeve)
2	4211341	Plug
3	4211492	End Bell Assembly (Upper)
7	4211375	Stator Assembly
8	4211321	Washer
9	4211632	Shaft Assembly (Includes 8 & 35)
10	4211612	Screw (4)
12	4211385	Capacitor
13	4211635	End Frame, Assembly (Lower)
14	4211348	Bolt, Thru (2)
15	4211393	Insulation, Bottom
16	8174321	Trim, Shell Assembly
18	4211631	Shredder Assembly, Rotating
19	4211344	Gasket, Tailpipe
20	4211370	Tailpipe
21	4211345	Flange, Tailpipe
22	4211346	Screw, Tailpipe
25	4211633	Switch Assembly, Start & Reverse
27	8174298	Overload, Protector
30	4211330	Screw, Ground
31	4211611	Cover, Terminal
32	4211435	Wrench Holder Assembly
33	4211396	Adapter, Sink
34	4211422	Shield, Wire Cover
35	4211322	Actuator Switch Centrifugal
36	4211326	Shield, Wire
37	8174299	Clip, Capacitor



FOR ORDERING INFORMATION REFER TO PARTS PRICE LIST