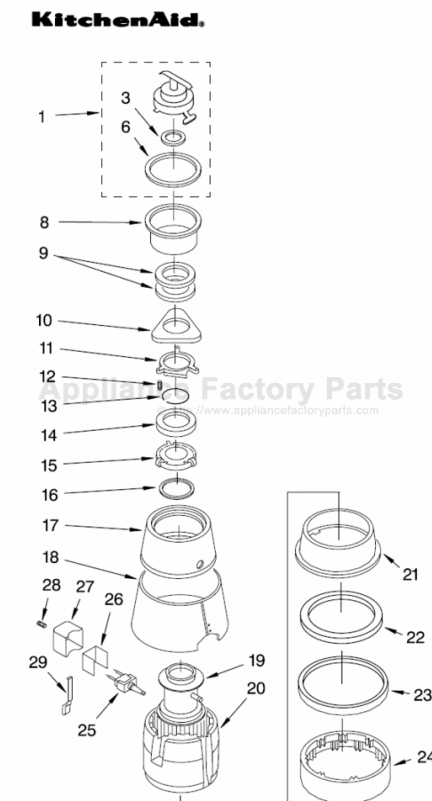


This Owner's Manual is provided and hosted by [Appliance Factory Parts](http://Appliance Factory Parts).



# KITCHENAID KBDS250X4 Owner's Manual

[Shop genuine replacement parts for KITCHENAID  
KBDS250X4](#)



[Find Your KITCHENAID Disposal Parts - Select From 75 Models](#)

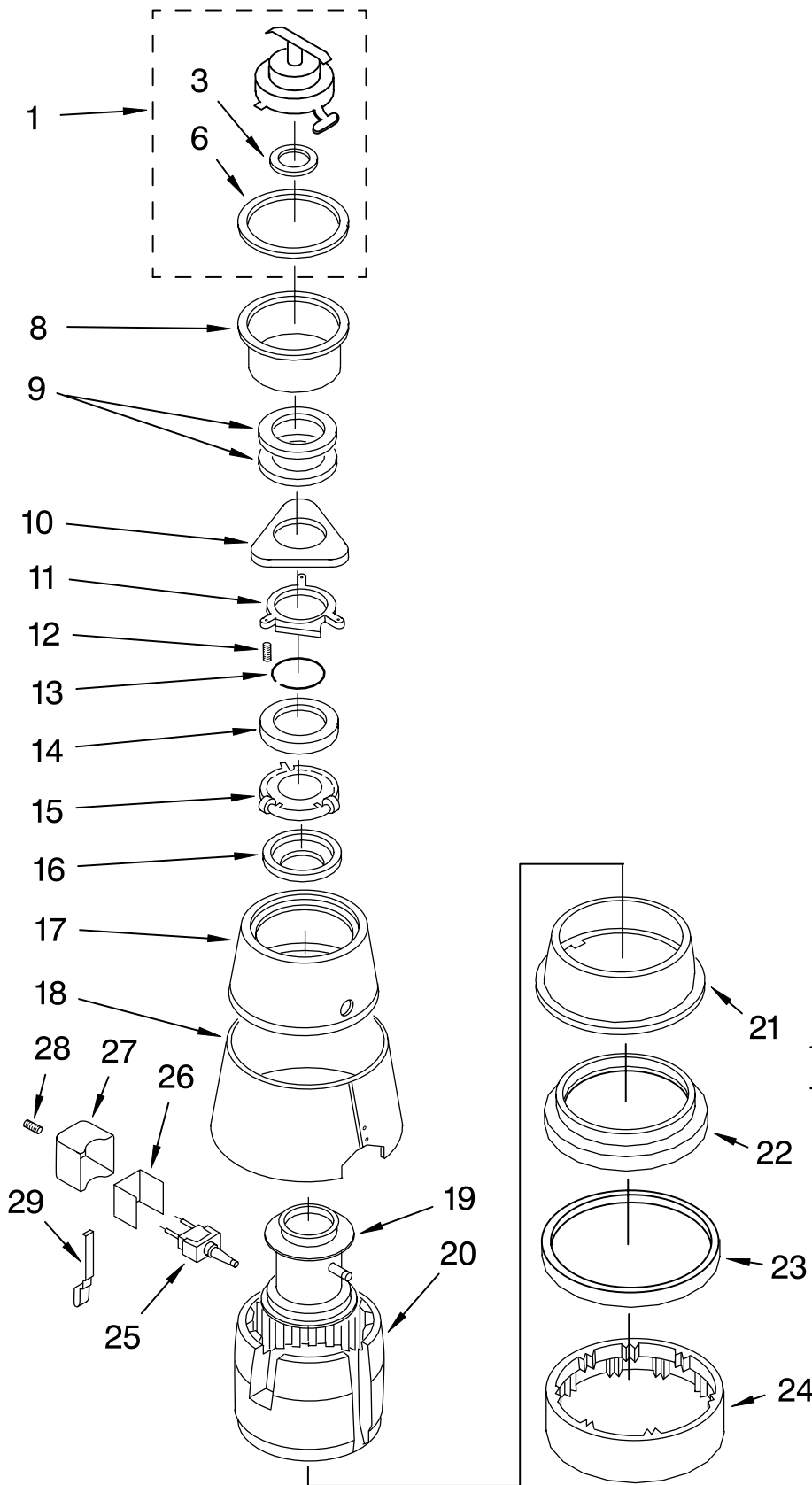
----- Manual continues below -----

# UPPER HOUSING AND FLANGE PARTS

DISPOSER

**KitchenAid®**

For Model: KBDS250X4



| Illus. No. | Part No. | DESCRIPTION  |
|------------|----------|--|
| 1          | 4211409  | Stopper Assembly                                     |
| 3          | 4211355  | Gasket, Stopper (Inner)                              |
| 6          | 4211410  | Gasket, Stopper (Outer)                              |
| 8          | 4211553  | Flange, Strainer                                     |
| 9          | 4211302  | Gasket, Sink Flange (2)                              |
| 10         | 4211303  | Flange, Backup                                       |
| 11         | 4211304  | Flange, Mounting                                     |
| 12         | 4211305  | Screw, Backup (3)                                    |
| 13         | 4211306  | Ring, Retaining                                      |
| 14         | 4211411  | Gasket, Mounting                                     |
| 15         | 4211308  | Flange, Body   |
| 16         | 4211359  | Gasket, Body   |
| 17         | 4211443  | Shell Assembly, Trim (Top)                           |
| 18         | 4211413  | Band, Trim Assembly                                  |
| 19         | 8174295  | Container, Body Assembly (Includes Sound Insulation) |
| 20         | 8174296  | Insulation, Top                                      |
| 21         | 8174297  | Body, Lower  |
| 22         | 4211365  | Gasket, Shredder                                     |
| 23         | 4211366  | Insulation, Sound                                    |
| 24         | 4211630  | Shredder, Stationary                                 |
| 25         | 4172168  | Switch, Pushbutton                                   |
| 26         | 4211416  | Insulation, Switch Cover                             |
| 27         | 4211417  | Cover, Switch  |
| 28         | 4211418  | Screw, Tapping                                       |
| 29         | 4211419  | Bracket, Wire Cover                                  |

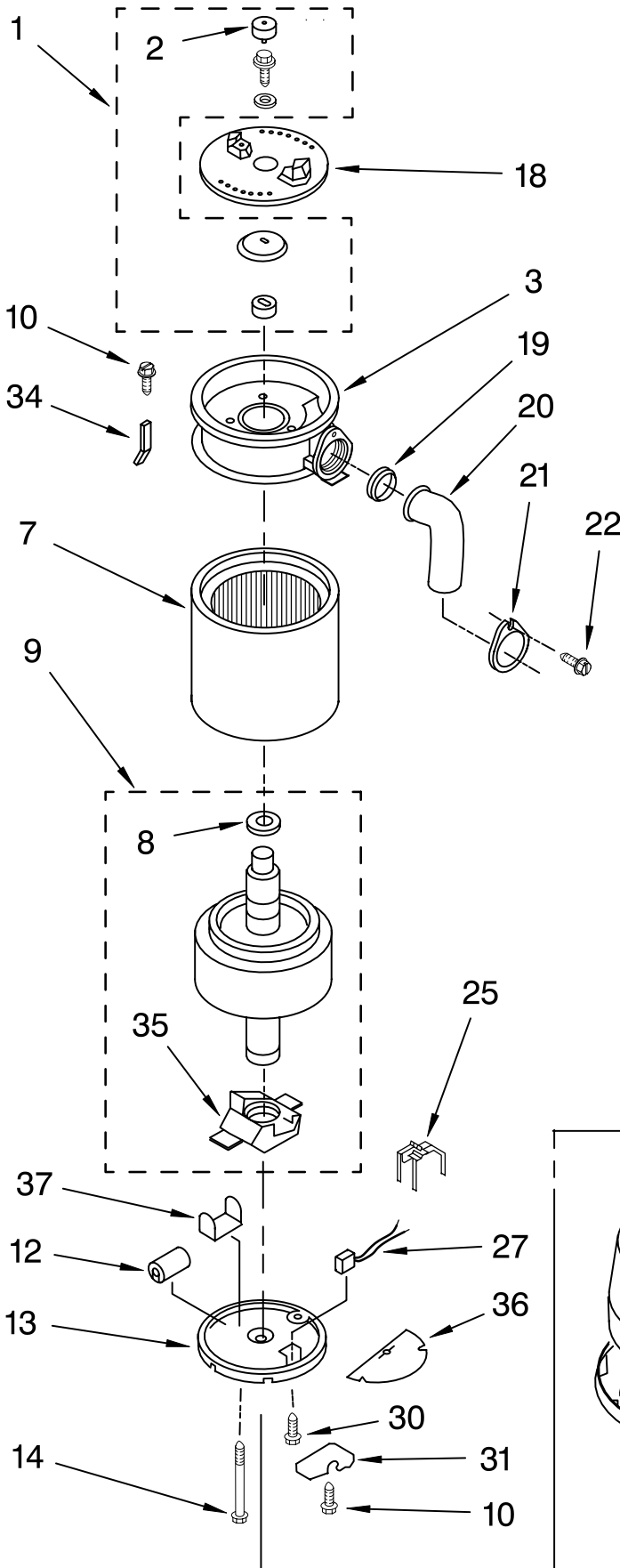
### Following Parts Not Illustrated

- LIT4211563 Guide, Use And Care
- LIT4211562 Instructions, Installation (English)

FOR ORDERING INFORMATION REFER TO PARTS PRICE LIST

# LOWER HOUSING AND MOTOR PARTS

For Model: KBDS250X4



| Illus. No. | Part No. | DESCRIPTION  |
|------------|----------|--|
| 1          | 4211578  | Kit, Sleeve And Seal (Includes Plug, Bolt, Washer, Slinger And Sleeve) |
| 2          | 4211341  | Plug   |
| 3          | 4211492  | End Bell Assembly (Upper)  |
| 7          | 4211375  | Stator Assembly  |
| 8          | 4211321  | Washer   |
| 9          | 4211632  | Shaft Assembly (Includes 8 & 35)                                       |
| 10         | 4211612  | Screw (4)  |
| 12         | 4211385  | Capacitor  |
| 13         | 4211635  | End Frame, Assembly (Lower)  |
| 14         | 4211348  | Bolt, Thru (2)   |
| 15         | 4211393  | Insulation, Bottom   |
| 16         | 8174321  | Trim, Shell Assembly   |
| 18         | 4211631  | Shredder Assembly, Rotating  |
| 19         | 4211344  | Gasket, Tailpipe   |
| 20         | 4211370  | Tailpipe   |
| 21         | 4211345  | Flange, Tailpipe   |
| 22         | 4211346  | Screw, Tailpipe  |
| 25         | 4211633  | Switch Assembly, Start & Reverse                                       |
| 27         | 8174298  | Overload, Protector  |
| 30         | 4211330  | Screw, Ground  |
| 31         | 4211611  | Cover, Terminal  |
| 32         | 4211435  | Wrench Holder Assembly   |
| 33         | 4211396  | Adapter, Sink  |
| 34         | 4211422  | Shield, Wire Cover   |
| 35         | 4211322  | Actuator Switch Centrifugal  |
| 36         | 4211326  | Shield, Wire   |
| 37         | 8174299  | Clip, Capacitor  |

FOR ORDERING INFORMATION REFER TO PARTS PRICE LIST