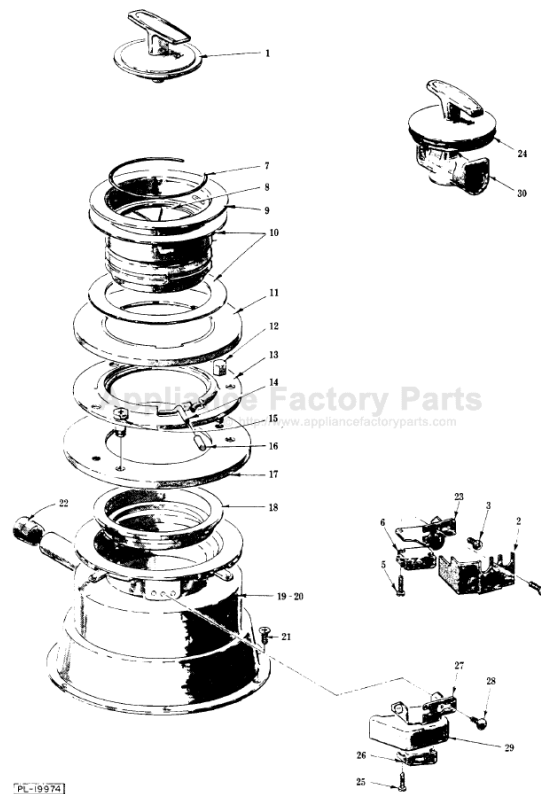


This Owner's Manual is provided and hosted by [Appliance Factory Parts](http://www.appliancefactoryparts.com).



# KITCHENAID KWE200 Owner's Manual

[Shop genuine replacement parts for KITCHENAID  
KWE200](#)



[Find Your KITCHENAID Disposal Parts - Select From 75 Models](#)

----- Manual continues below -----

*Catalog of*

# REPLACEMENT PARTS

**KitchenAid®**

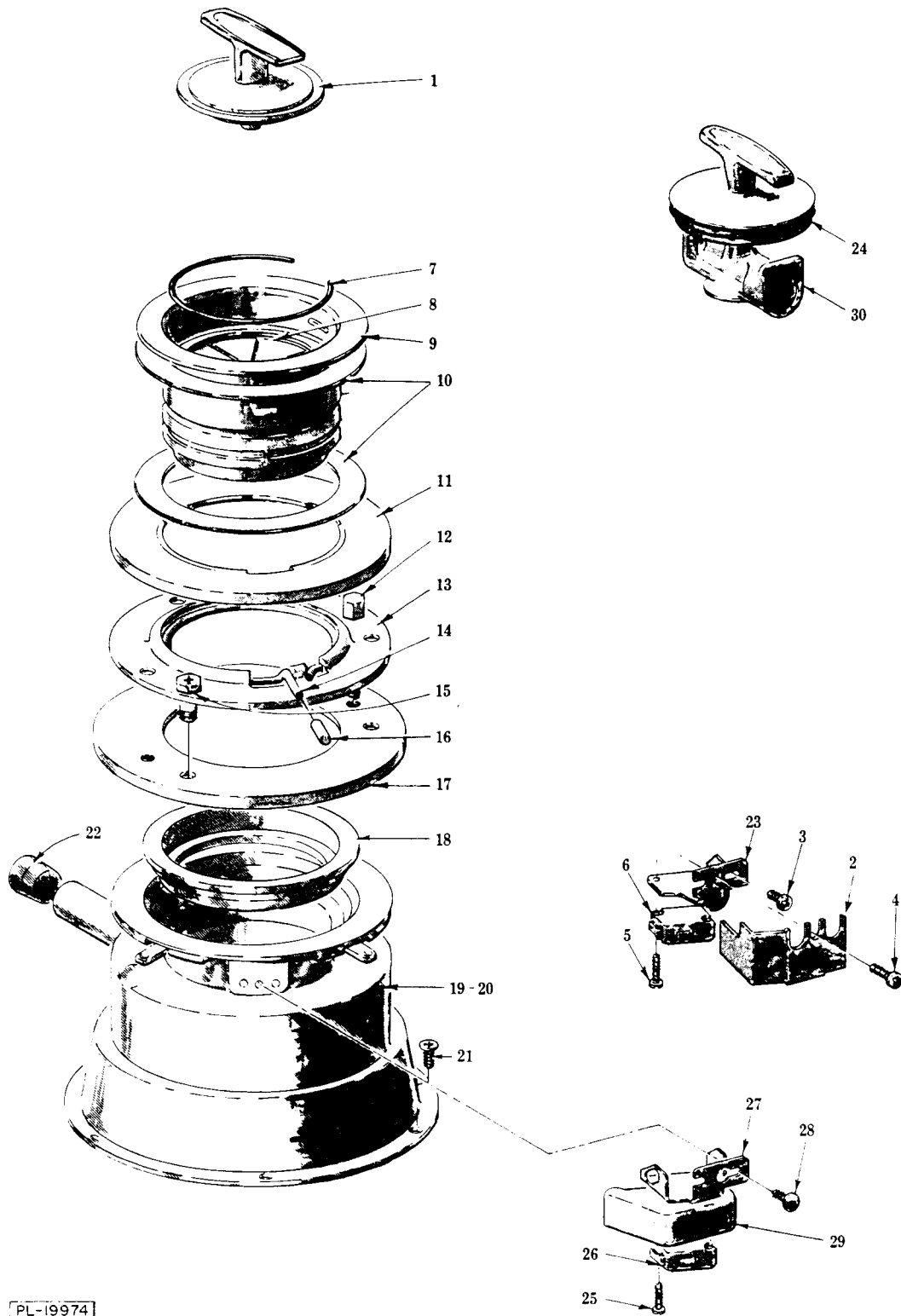
## HEAVY DUTY DISPOSERS

(CONTINUOUS FEED)

ML-42136    KWI200A  
ML-42132    KWE200A

(BATCH FEED)

ML-42131    KWS200A  
ML-42135    KWD200A



UPPER HOUSING UNIT

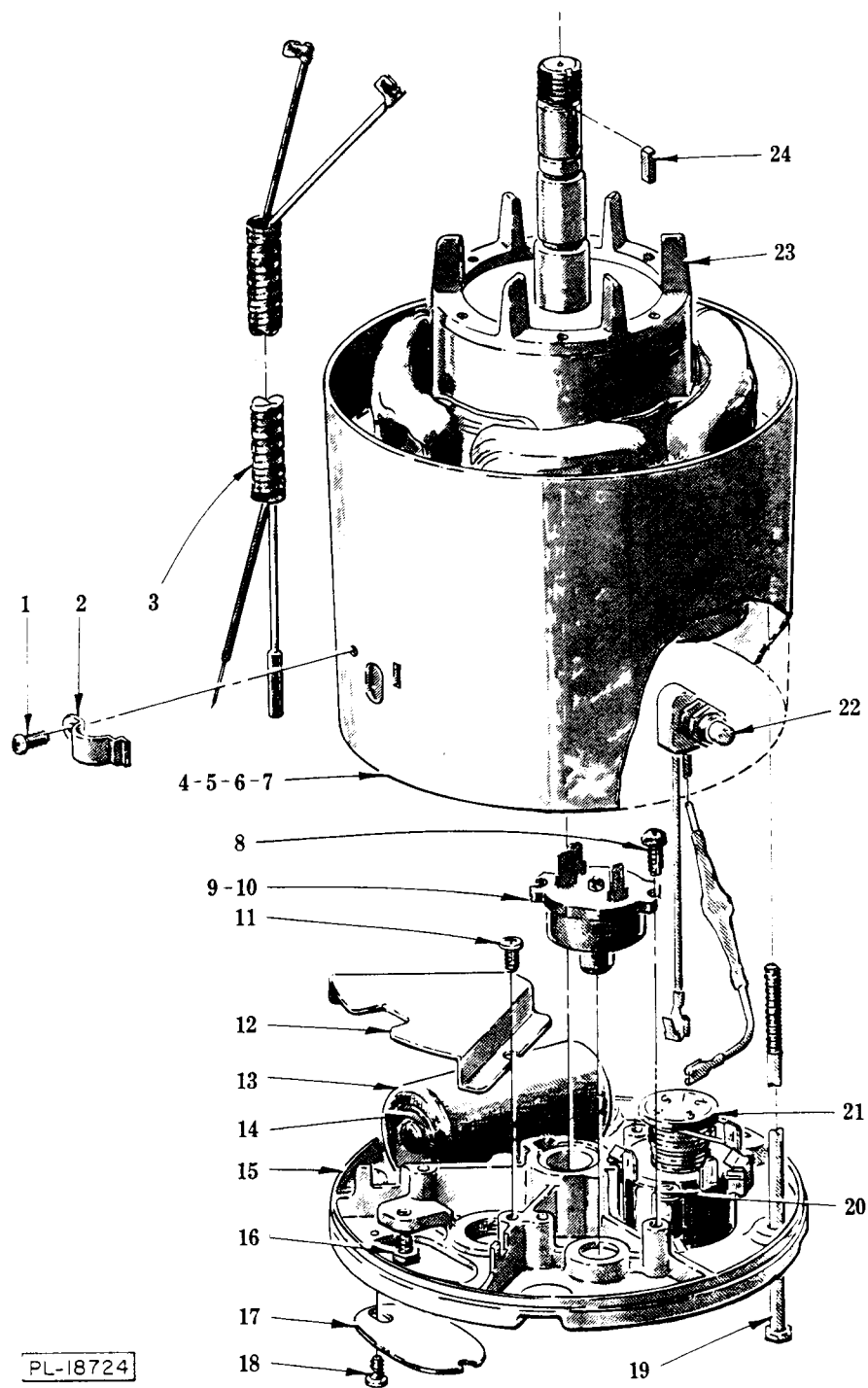
|     |            |  |
|-----|------------|--|
| 1   | 242915     | Seal- Closure  |
| 2   | See Note   | Cover - Switch   |
| 3   | SD-32-23   | Self-Tapping Screw 8 x 3/8 Phil. Pan Hd., Type B                 |
| 4   | SD-19-31   | Self-Tapping Screw 8 x 1/2 Phil. Pan Hd., Type B                 |
| 5   | SD-9-14    | Self-Tapping Screw 4-40 x 5/8 Phil. Pan Hd., Type F              |
| 6   | See Note   | Switch & Magnet Assy   |
| **7 | 114907     | Ring- Splash Guard   |
| **8 | 240871     | Splash Guard Assy. (Incls. item 7)                               |
| 9   | 114892     | Flange- Sink   |
| 10  | 201462     | Seal- Sink Flange  |
| 11  | 114898     | Washer- Pressure   |
| 12  | 114897     | Screw- Adjusting   |
| 13  | 114891     | Ring- Support  |
| 14  | 116064     | Snap Ring & Cap Assy. (Incls. item 16)                           |
| 15  | 114909     | Screw - Hold-Down  |
| 16  | 115803     | Cap- Snap Ring   |
| 17  | 114899     | Plate - Pressure   |
| 18  | 114905     | Ring- Seal   |
| *19 | 242295     | Upper & Lower Housing Assy                                       |
| *20 | 242296     | Upper & Lower Housing Assy                                       |
| 21  | SC-18-70   | Mach. Screw 8-32 x 7/16 Phil. Pan Hd                             |
| 22  | 242481     | Plug- Drain (Dishwasher)   |
| 23  | See Note   | Bracket - Switch Mounting  |
| *24 | 241203     | Seal- Cover  |
| *25 | SD-9-14    | Self-Tapping Screw 4-40 x 5/8 Phil. Pan Hd., Type F              |
| *26 | 241448     | Switch & Magnet Assy   |
| *27 | 241336     | Bracket - Switch Mounting  |
| *28 | SD-9-39    | Self-Tapping Screw 8-32 x 3/8 Phil. Pan Hd., Type B              |
| *29 | 241335-2   | Cover - Switch   |
| *30 | 241251-1   | Control Cover Assy. (Incls. item 24)                             |
|     | **242978   | Closure Assy. (Incls. item 1)                                    |
|     | *242761-2  | Upper Housing Assy. (Incls. items 19 & 22)                       |
|     | **242761-1 | Upper Housing Assy. (Incls. items 20 & 22)                       |
|     | *241446    | Switch, Cover & Bracket Assy. (Incls. items 10, 25, 26, 27 & 29) |

Use with Batch Feed Mach.

\*\* Use with Continuous Feed Mach.

Note: Parts 2, 6 & 23 have been discontinued, order

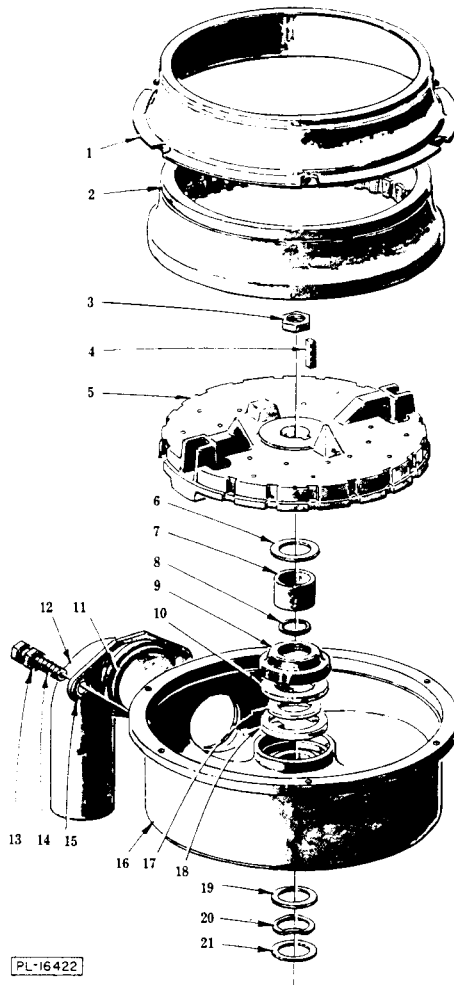
\*241446 to convert to new style.



ELECTRICAL UNIT

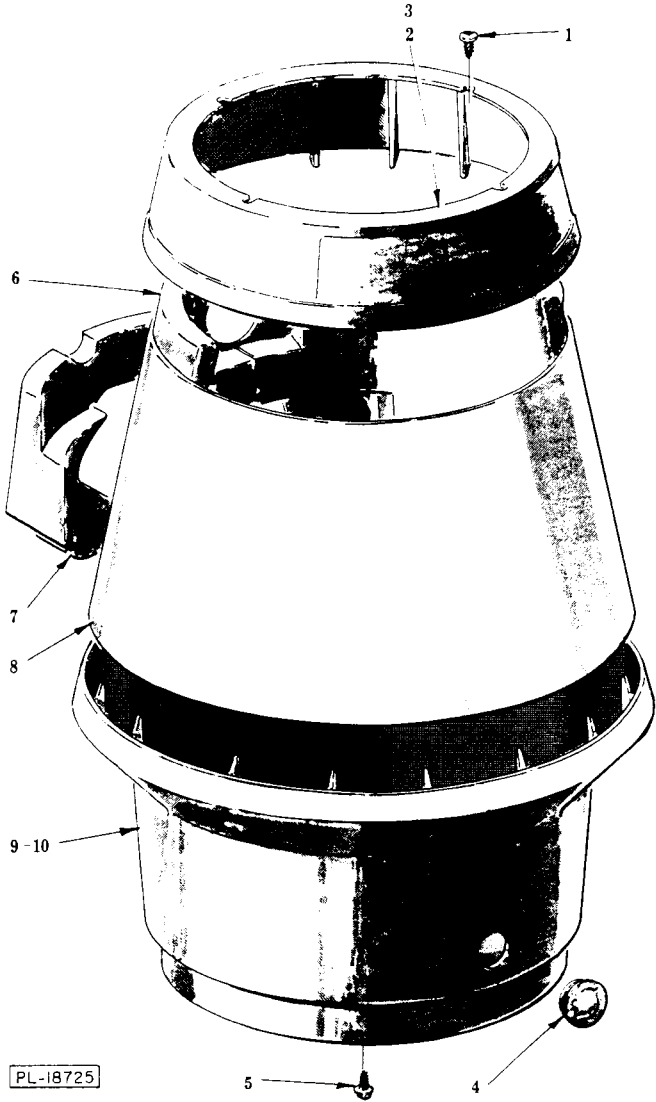
|     |             |   |
|-----|-------------|---|
| 1   | SD-19-31    | Self-Tapping Screw 8 x 1/2 Phil. Pan Hd., Type B        |
| *2  | 114911      | Clamp- Conduit  |
| *3  | 115406      | Conduit Assy  |
| **4 | 65477-116-1 | Stator Assy. (115 V., 60 Hz.) (KWE)                     |
| *5  | 117140-1    | Stator Assy. (115 V., 60 Hz.) (KWD)                     |
| **6 | 116697-1    | Stator Assy. (115 V., 60 Hz.) (KWI)                     |
| *7  | 116696-1    | Stator Assy. (115 V., 60 Hz.) (KWS)                     |
| 8   | 278497      | Screw Assy. (Protector)                                 |
| **9 | 201822-1    | Protector- Overload (Manual) (115 V., 60 Hz.)           |
| *10 | 201823-1    | Protector- Overload (Automatic) (115 V., 60 Hz.)        |
| 11  | SD-12-30    | Self-Tapping Screw 6-32 x 5/16 Phil. Pan Hd., Type T    |
| 12  | 115314      | Barrier- Elec. Enclosure                                |
| 13  | 70487-15    | Capacitor (115 V., 60 Hz.)                              |
| 14  | 108871      | Clip- Capacitor Retainer                                |
| 15  | 109562-1    | Bracket & Bearing Assy                                  |
| 16  | 202559      | Screw - Mach. Grounding                                 |
| 17  | 109923      | Cover - Elec. Access                                    |
| 18  | SD-12-30    | Self-Tapping Screw 6-32 x 5/16 Phil. Pan Hd., Type T    |
| 19  | 113690      | Mach. Screw 10-32 x 5 5/8 Indented Hex Hd               |
| 20  | SD-33-37    | Self-Tapping Screw 6-32 x 1 Phil. Pan Hd., Type T       |
| 21  | 113657-5    | Reversing Relay Assy. (115 V., 60 Hz.)                  |
| 22  | 116702      | Switch & Diode Assy. (115 V., 60 Hz.) (KWI-200/KWS-200) |
| 23  | 22275-234   | Rotor Assy. (115 V., 60 Hz.)                            |
| 24  | 240509      | Key- Sq. Mach   |
|     | ML-42140    | Power Pak (115 V., 60 Hz.) (KWE)                        |
|     | ML-42139    | Power Pak (115 V., 60 Hz.) (KWD)                        |
|     | ML-42137    | Power Pak (115 V., 60 Hz.) (KWI)                        |
|     | ML-42138    | Power Pak (115 V., 60 Hz.) (KWS)                        |

\*Use on Batch Feed Mach. \*\*Use on Continuous Feed Mach.



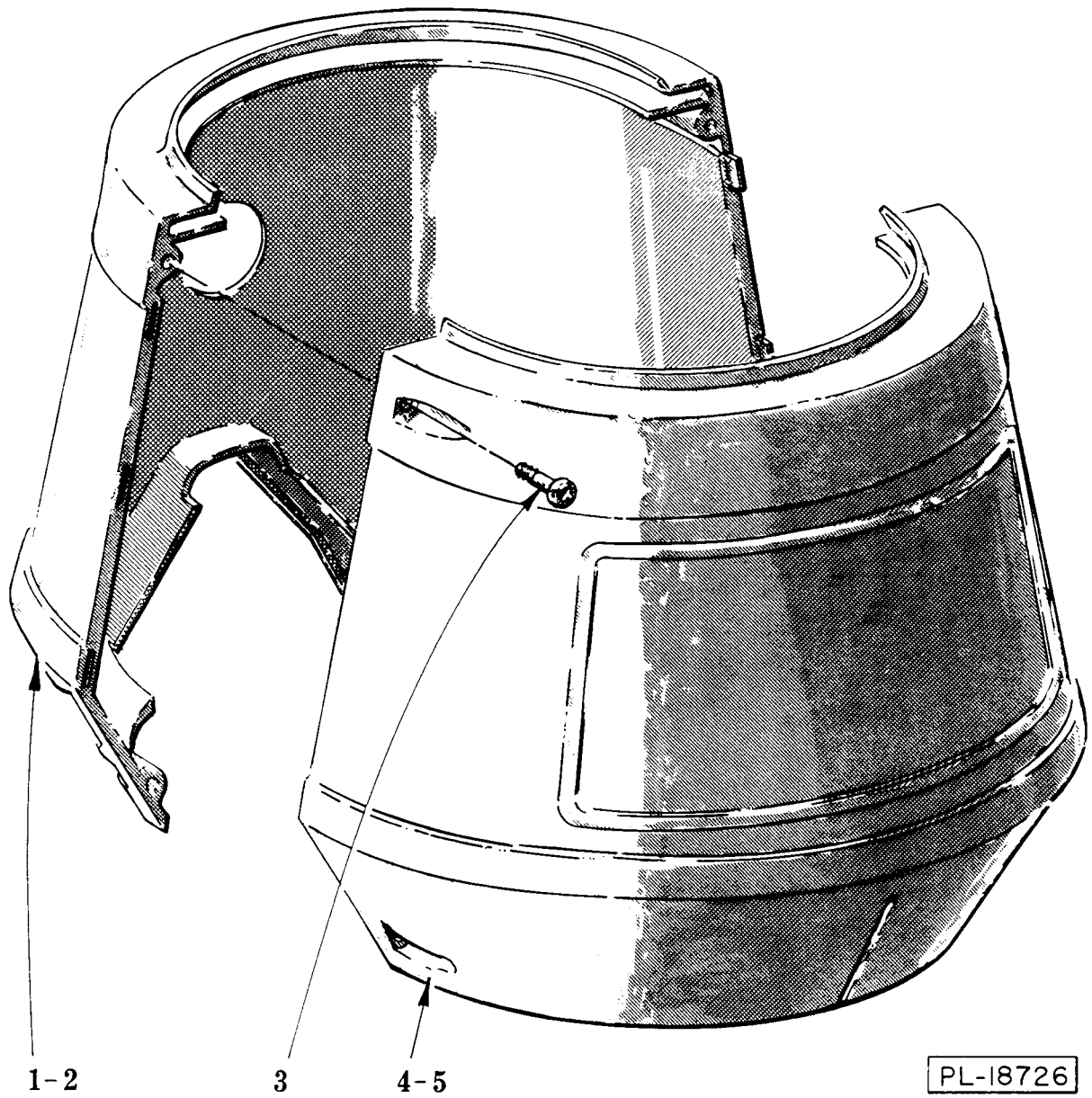
**POWER UNIT**

|    |          |   |
|----|----------|---|
| 1  | 115804   | Seal- Shredder Ring   |
| 2  | 242555   | Ring- Shredder  |
| 3  | NS-17-41 | Jam Nut 5/8-18 Hex Fin  |
| 4  | 240290   | Lock- Jam Nut   |
| 5  | 242556   | Flywheel  |
| 6  | 202732   | Washer- Wear  |
| 7  | 202927   | Sleeve- Seal  |
| 8  | 201444-8 | "O" Ring  |
| 9  | 201469   | Seal- Water   |
| 10 | 115805   | Felt (Lubricant)  |
| 11 | 115818   | Seal - Spout  |
| 12 | 240119   | Spout & Seal Assy. (Incls. item 11)                                 |
| 13 | NS-13-2  | Full Nut 1/4-20 Hex Fin   |
| 14 | 115866   | Screw- Special  |
| 15 | 241026   | Flange- Spout   |
| 16 | 115511-1 | Lower Housing & Bearing Assy  |
| 17 | 202734   | Washer- Upper Thrust  |
| 18 | 240592   | Felt Wiper Kit  |
| 19 | WS-11-50 | Washer (Nylon)  |
| 20 | 115461   | Washer - Wavy   |
| 21 | WS-11-49 | Washer  |
|    | 240593-1 | Seal Kit (Incls. items 6, 7, 8, 9, 10 & 17 thru 21)                 |
|    | 240594-1 | Seal & Lower Housing Kit (Incls. items 6, 7, 8, 9, 10 & 16 thru 21) |
|    | 201252   | Spout Screw Assy. (Incls. items 13 & 14)                            |
|    | 242028   | Flywheel Assy. Kit (Incls. items 5 & 6)                             |



SHELL UNIT (KWI & KWS)

1 SD-15-41 Self-Tapping Screw 8-32 x 1/2 Phil. Pan Hd., Type TT  
\*\*2 242060-3 Cap- Top (KWI)  
\*3 243144 Top Cap & Label (KWS)  
4 115409 Button- Anti-Jam  
5 SD-12-32 Self-Tapping Screw 6-32 x 3/8 Indented Hex Washer Hd., Type T  
6 115425 Insulation- Upper  
7 115365 Liner- Drain  
8 242024 Trim - Band Assy  
\*9 242119-3 Lower Shell & Label Assy. (KWS)  
\*10 242119-4 Lower Shell & Label Assy. (KWI)  
\*242115-5 Cap, Shell & Trim Band Assy. (Incls. items 3, 8 & 9) (KWS)  
\*\*242115-6 Cap, Shell & Trim Band Assy. (Incls. items 2, 8 & 10) (KWI)  
\* Use on Batch Feed Mach. \*\* Use on Continuous Feed Mach.



SHELL UNIT (KWD & KWE)

\*\*1 115353-3 Shell- Rear (KWE)  
\*2 115352-3 Shell- Rear (KWD)  
3 115369 Self-Tapping Screw 6-20 x 11/16 Phil. Pan Hd., Type B  
\*\*4 115669-6 Front Shell & Label (KWE)  
\*5 115669-5 Front Shell & Label (KWD)  
\*Use on Batch Feed Mach. \*\*Use on Continuous Mach.