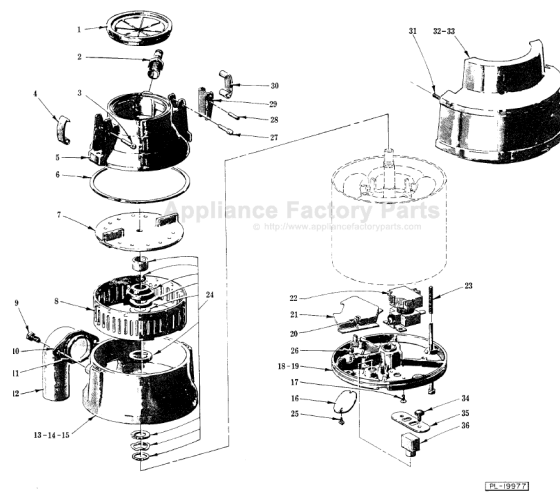


This Owner's Manual is provided and hosted by Appliance Factory Parts.



KITCHENAID KCDB200S0 Owner's Manual

[Shop genuine replacement parts for KITCHENAID
KCDB200S0](#)



[Find Your KITCHENAID Disposal Parts - Select From 75 Models](#)

----- Manual continues below -----



KitchenAid[®]

Value Disposers

KitchenAid Model: KCDC200
KaDette Model: KCDB100
KaDette Model: KCDB200

Use and Care Guide





IMPORTANT SAFETY INSTRUCTIONS

WARNING: When using electrical appliances, basic precautions should always be followed, including the following:

1. Read all instructions before using the appliance.
2. This disposer must be properly grounded. See Installation Instructions for details.
3. To reduce the risk of injury, close supervision is necessary when an appliance is used near children.
4. Do not put fingers or hands into a waste disposer.
5. Should the disposer appear to be jammed, follow the anti-jamming instructions in the Use and Care Guide. In the event that the disposer remains jammed, turn the power switch to the OFF position before attempting to manually clear a jam or remove an object from the disposer.
6. When attempting to manually loosen a jam in a waste disposer, use a long wooden object such as a wooden spoon or the wooden handle of a broom or mop.
7. When attempting to remove objects from a waste disposer, use long-handled tongs or pliers.
8. To reduce the risk of injury by materials that may be expelled by a waste disposer, do not put the following into a disposer.
 - a. Clam or oyster shells
 - b. Drain cleaner
 - c. Glass, china or plastic
 - d. Large, whole bones
 - e. Metal, such as bottle caps, tin cans or aluminum foil
 - f. Whole corn husks
9. When not operating a disposer, leave the drain cover in place to reduce the risk of objects falling into the disposer.

SAVE THESE INSTRUCTIONS



OPERATING INSTRUCTIONS

Your KitchenAid disposer has a cover that acts only as a seal and a drain cover. A wall switch is used to turn the disposer ON or OFF. If use of the cover is desired during grinding, place cover lightly into the sink opening so water may pass through to the disposer. This is the DRAIN position.

To SEAL cover for holding water in the sink, press the cover firmly in the disposer opening.

CAUTION: Do not operate the disposer with the cover in the SEAL position.

TO OPERATE:

1. Remove cover from sink opening and turn on a good flow of COLD water. It is important and absolutely necessary that cold water flows into the disposer while it is in operation. (Cold water hardens greasy substances, making it easy to grind them into tiny particles. Cold water also keeps grease from sticking to the drain lines.) If you have a double sink, make sure the faucet is positioned to the side where the disposer is installed during operation of the disposer.
2. Turn wall switch to ON position.
3. Scrape food waste into disposer opening. Mix soft and hard food waste items for most efficient grinding.
4. For maximum safety, place cover in DRAIN position to prevent objects from dropping into the unit or food particles from being thrown out while disposer is operating.
5. Allow both the disposer and cold water to run for about 30 seconds after grinding action is completed. This will assure that any bone slivers or other hard objects that could cause jams are flushed from the grind chamber. This will also assure proper flushing of the external drain line.
6. Turn wall switch to OFF position.

What Can Be Put In Your KitchenAid Disposer?

Your disposer is designed to dispose of food wastes including bones, fruit and vegetable wastes, pits, egg shells and coffee grounds. Large pieces of food waste like melon rinds should be cut into smaller pieces before being put into the disposer.

If the disposer drains into a septic tank, grinding wastes such as egg shells, lobster, crab and shrimp shells should be kept at a minimum. Grinding large amounts of this type of waste may require more frequent cleaning of the septic tank system.

DO NOT PUT ITEMS LIKE GLASS, CHINA, METAL, TIN CANS, BOTTLE CAPS OR OYSTER AND CLAM SHELLS INTO THE DISPOSER. THESE ITEMS BELONG IN THE TRASH. DAMAGE MAY RESULT TO BOTH DISPOSER AND DRAIN SYSTEM IF THIS TYPE OF TRASH IS PLACED IN A DISPOSER.



TABLE OF CONTENTS

	Page
Important Safety Instructions.....	2
Ownership Registration Card.....	3
Operating Instructions.....	4
Grounding Information.....	5
Cord Connected Disposer.....	6
Care and Cleaning.....	6
When You Need Service.....	7
Warranty.....	Back Cover



OWNERSHIP REGISTRATION CARD

Before you use your disposer, please fill out and mail your ownership registration card. This card will enable us to contact you in the unlikely event of a product safety notification and assist us in complying with the provisions of the Consumer Product Safety Act. **THIS CARD DOES NOT VERIFY YOUR WARRANTY.**

Keep a copy of the sales receipt showing the date of purchase and/or date of installation of your disposer. **PROOF OF PURCHASE WILL INSURE YOU OF IN-WARRANTY SERVICE.**

Write down the following information. You will need it if your disposer ever requires service.

Model Number* _____

Serial Number* _____

Date Purchased _____

Date Installed _____

Dealer's Name _____

Address _____

Phone _____

*Model and Serial Numbers are located on a label near the bottom of the disposer.

If Your Disposer Jams

It may never happen, but if your disposer should "jam" and stop running, the following procedure should be used:

1. Turn wall switch to OFF position.
2. Use a sturdy stick, such as a broom handle, as a lever to force the grind wheel in a clockwise direction. This will usually dislodge any jammed waste material.
3. Turn wall switch to ON position. If the motor fails to start, follow instructions below for Built-In Overload Protection.

Built-In Overload Protection

KitchenAid disposers are equipped with a built-in overload protector. If the disposer remains in a jammed position for more than 30 seconds, an overload switch will automatically cut off current to the motor, preventing motor damage. If this should happen, turn unit OFF, free jammed wheel and wait at least 3 to 5 minutes for overload protector to cool. Press the red reset button on the bottom of the disposer. **PRESS THIS BUTTON FIRMLY UNTIL IT CLICKS.**

Operation With Dishwasher

If your dishwasher drains through your disposer always run the disposer for a short time before starting the dishwasher. This will insure that the disposer is free of any unground food waste. Such waste could cause a "backup" of the discharge water from the dishwasher. **DO NOT OPERATE THE DISPOSER WHILE THE DISHWASHER IS IN OPERATION.** After operating the dishwasher, run the disposer for a short time to clean and flush all particles discharged by the dishwasher into the disposer down the main drain line.

When the dishwasher is in operation, we recommend the cover be placed in the DRAIN position. This will eliminate the possibility of water splash out.

GROUNDING INFORMATION

This appliance must be connected to a grounded, metal, permanent wiring system; or an equipment-grounding conductor must be run with the circuit conductors and connected to the equipment-grounding terminal or lead on the disposer. For detailed instructions see Installation Instructions.

ALL ELECTRICAL CONNECTIONS MUST CONFORM WITH LOCAL CODES.

This disposer is Listed by Underwriters Laboratories, Inc.

CORD CONNECTED DISPOSER

This appliance must be grounded. In the event of a malfunction or breakdown, grounding provides a path of least resistance for electric current to reduce the risk of electric shock. This appliance is equipped with a cord having an equipment grounding conductor and a grounding plug. The plug must be plugged into an appropriate outlet that is properly installed and grounded in accordance with all local codes and ordinances.

DANGER—Improper connection of the equipment grounding conductor can result in a risk of electric shock. Check with a qualified electrician or serviceman if you are in doubt as to whether the appliance is properly grounded. Do not modify the plug provided with the appliance. If it will not fit the outlet, have a proper outlet installed by a qualified electrician.

USE ENERGY WISELY

A food waste disposer uses a negligible amount of energy. Total energy requirements associated with operating a food waste disposer will be minimized by following the recommendations in this Use and Care Guide.

CARE AND CLEANING

The unique design of the grinding elements of the disposer create a whirling water action which keeps the grinding chamber always clean and free of odors.

Do not “store” food waste in the disposer between grindings. This can lead to odors, a clogged drain or a jam.

Use **COLD** water *only* when operating the disposer. Cold water hardens greasy substances, making it easy to grind them into tiny particles. Cold water also keeps grease from sticking to the drain lines.

CAUTION: NEVER use chemical or solvent drain compounds in the disposer. They can cause serious damage and are unnecessary if the disposer is operated according to the above instructions. If a drain cleaner is absolutely necessary, use one labeled “safe for disposers” or “enzymatic cleaner” like Rid-X.

Your KitchenAid disposer is permanently lubricated and will never need additional lubrication.



WHEN YOU NEED SERVICE

Follow These Steps

1. If your disposer should fail to operate, review the following list before calling your dealer. You could save the cost of a service call.

Turn wall switch to OFF position and manually turn grind wheel to be sure it is free to rotate. **NEVER** put your hands in the disposer. Use a sturdy stick, such as a broom handle, to turn the grind wheel. If the grind wheel does not turn freely, the disposer is probably jammed and you should follow the procedures outlined on page 5.

JAMS OF ANY NATURE ARE NOT CONSIDERED A PRODUCT DEFICIENCY AND ARE NOT COVERED BY IN-WARRANTY SERVICE OR LABOR.

Has a fuse blown, or is the circuit breaker open?

Is the switch controlling the disposer turned to the ON position?

Is the motor overload protector tripped? See BUILT-IN OVERLOAD PROTECTION, page 5.

2. If the problem is not due to one of the above items, see "How to Arrange for Service" listed in the Warranty Statement.
3. If you are not satisfied with the action taken, contact the Major Appliance Consumer Action Panel (MACAP). MACAP is a group of independent consumer experts that voices consumer views at the highest levels of the major appliance industry. Contact them only when the dealer, authorized servicing outlet, wholesale distributor and KitchenAid, Inc. have failed to resolve your problem.

Major Appliance Consumer Action Panel
20 North Wacker Drive
Chicago, IL 60606

MACAP will in turn inform us of your action.

In all correspondence about your dishwasher, please include:

- Date
- Your Name, Address and Telephone Number
- Type of Appliance
- Brand
- Model Number
- Serial Number
- Date Purchased
- Dealer from Which Purchased (include address)
- Servicing Agent (include name and address if different from dealer's)
- Location of Appliance
- A Clear Description of the Problem and the Service Required



KitchenAid[®] DISPOSER WARRANTY

LENGTH OF WARRANTY:	KITCHENAID WILL PAY FOR:	KITCHENAID WILL NOT PAY FOR:
ONE YEAR FULL WARRANTY FROM DATE OF INSTALLATION FOR MODELS: KCDB100, KCDB200, and KCDC200.	Replacement parts and repair labor to correct defects in materials or workmanship. Service must be provided by an authorized KitchenAid servicing outlet.	A. Service calls to: 1. Correct the installation of the disposer. 2. Instruct you how to use the disposer. 3. Replace house fuses or correct house wiring. 4. Correct house plumbing. B. Repairs when disposer is used in other than normal home use. C. Damage resulting from accident, alteration, misuse, abuse, improper installation or installation not in accordance with local electrical or plumbing codes. D. Replacement parts cost for decorative shell or cover control during limited warranties. E. Any labor costs during the limited warranties. F. Replacement parts or repair labor costs for units operated outside the United States. G. Pick up and delivery. This product is designed to be repaired in the home.
THREE YEAR LIMITED WARRANTY ONE YEAR FULL PLUS SECOND THROUGH THIRD YEAR LIMITED FROM DATE OF INSTALLATION FOR MODEL: KCDC200 ONLY.	Replacement parts (excluding decorative shell, cover control and any repair labor costs) if defective in materials or workmanship.	

KITCHENAID, INC. DOES NOT ASSUME ANY RESPONSIBILITY FOR INCIDENTAL OR CONSEQUENTIAL DAMAGES. Some states do not allow the exclusion or limitation of incidental or consequential damages, so this exclusion or limitation may not apply to you.

This warranty gives you specific legal rights and you may also have other rights which vary from state to state.

HOW TO ARRANGE FOR SERVICE

- First call your dealer or repair service he recommends.
- All service should be handled locally by the dealer from whom you purchased the unit or an authorized KitchenAid servicing outlet. If your local service is not satisfactory, contact the Consumer Affairs Department, KitchenAid, Inc., 3800 Space Drive, Dayton, Ohio 45414. Call Toll Free: 800-422-1230.

F-9498E

KitchenAid, Inc.
St. Joseph, Michigan, USA 49085

(K187)

4177742