

PARTS LIST

for

KitchenAid®

3/4 HP – DISPOSER

MODEL:

KCDI075V0



FOR CUSTOMER SATISFACTION ALWAYS USE
FACTORY SPECIFICATION PARTS

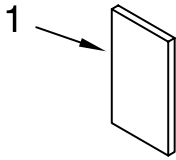


KITCHENAID

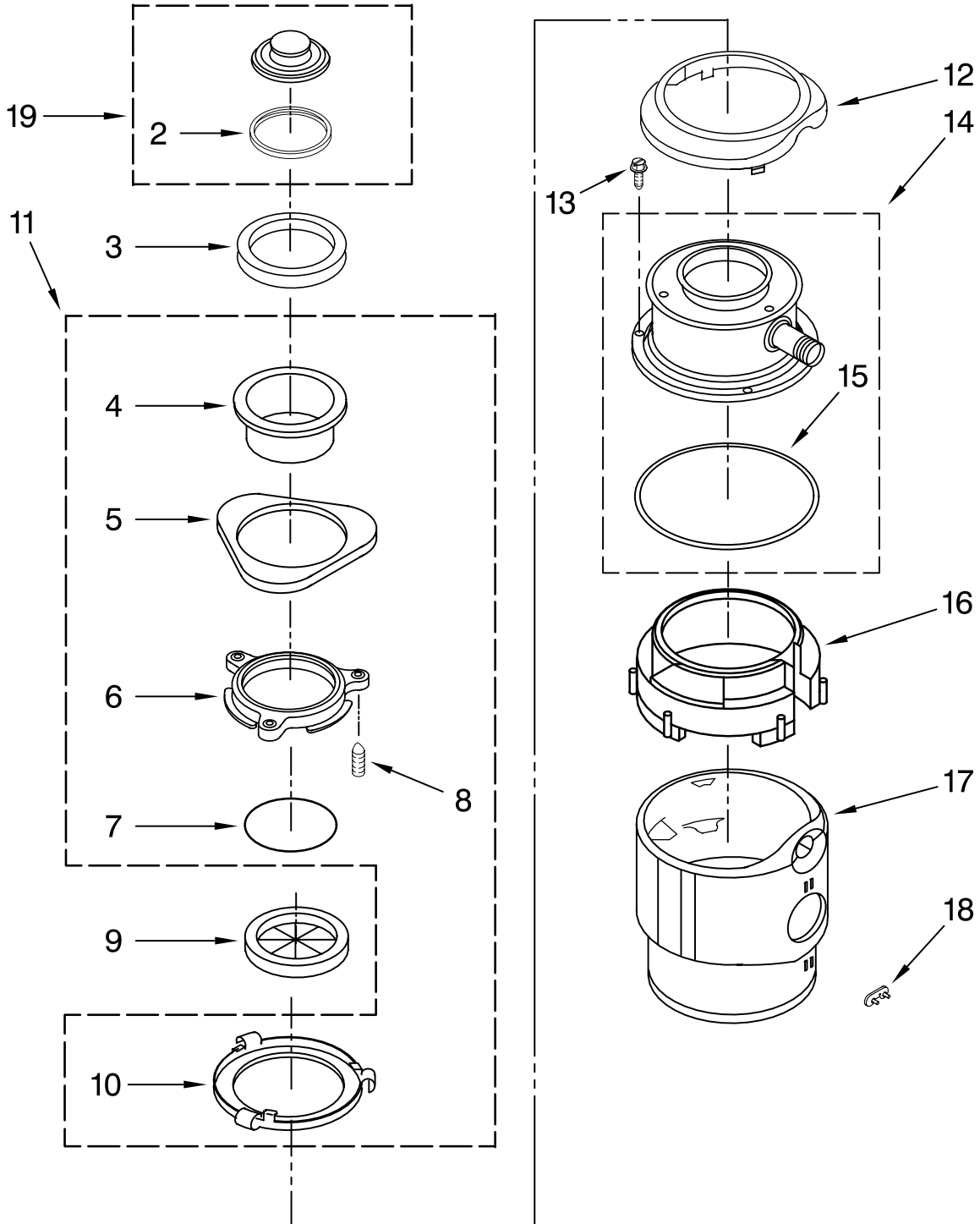
ST. JOSEPH MICHIGAN 49085

HOUSING AND FLANGE PARTS

For Model: KCDI075V0



Literature Parts



FOR ORDERING INFORMATION REFER TO PARTS PRICE LIST

HOUSING AND FLANGE PARTS

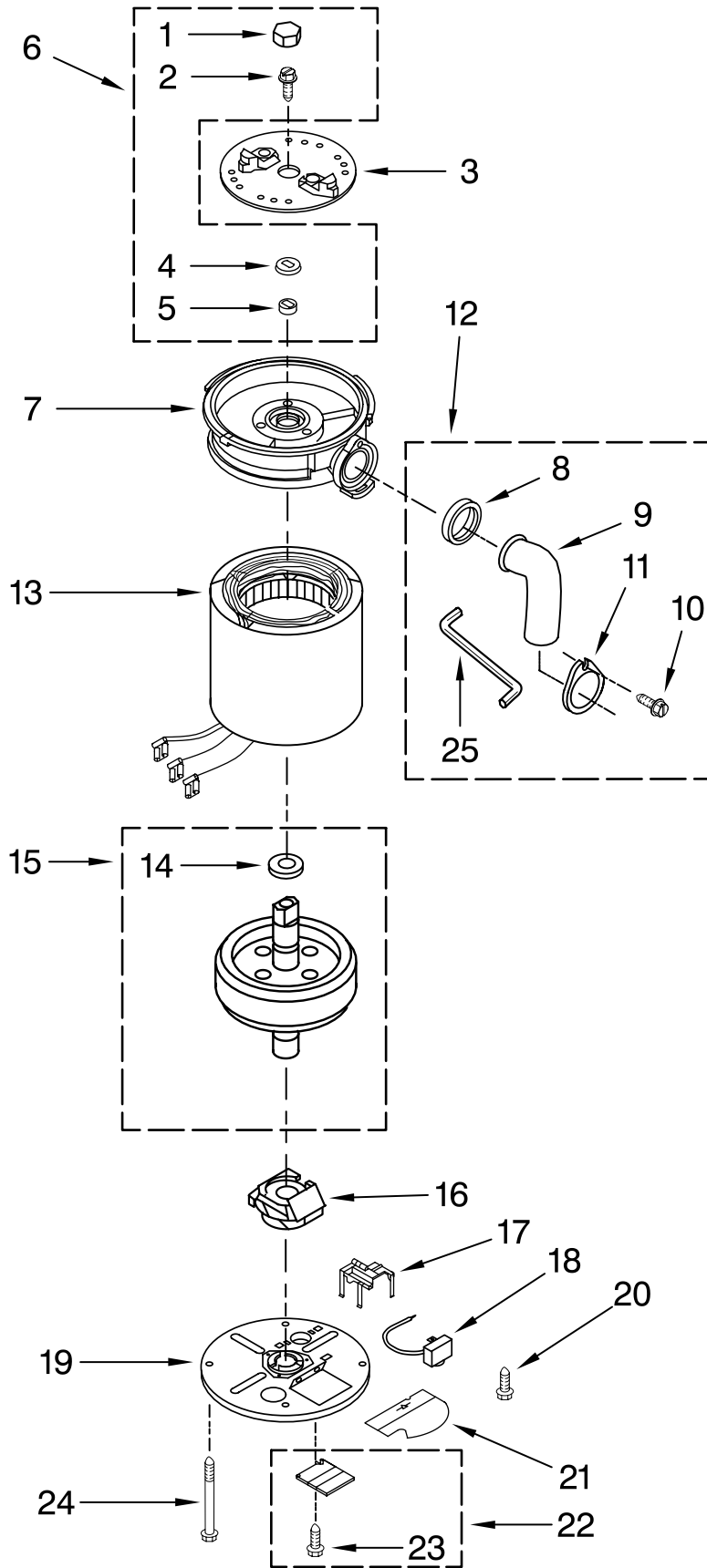
For Model: KCDI075V0

Illus.	Part	
No.	No.	DESCRIPTION
1		Literature
	W10222147	Guide, Use & Care
	W10207772	Repair Parts List
2	4211333	Gasket, Stopper
3	4211302	Gasket
4	W10171101	Flange, Sink
5	W10171102	Ring, Backup
6	4211304	Ring, Mounting
7	4211306	Ring, Snap
8	W10171103	Screw
9	4211334	Gasket, Mounting
10	4211308	Flange, Body
11	W10222137	Mounting Assembly
12	W10171106	Cap, Trim Shell
13	W10222138	Screw
14	4211554	Body Container
15	4211337	O-Ring
16	W10222139	Insulation
17	W10222140	Trim Shell Assy
18	8174342	Clip
19	4211577	Stopper Assembly

FOR ORDERING INFORMATION REFER TO PARTS PRICE LIST

UPPER HOUSING AND MOTOR PARTS

For Model: KCDI075V0



Illus. No.	Part No.	DESCRIPTION
1	N/A	Plug
2	N/A	Bolt, Flange
3	4211631	Shredder, Rotating Assembly
4	N/A	Slinger
5	N/A	Sleeve
6	4211578	Sleeve & Seal Kit
7	W10222141	Upper End Bell Assembly
8	4211344	Gasket, Tailpipe
9	4211317	Tailpipe
10	4211346	Screw
11	4211345	Flange
12	W10222142	Installation Kit
13	8174333	Stator
14	4211321	Washer
15	W10222143	Shaft Assembly
16	4211322	Actuator, Centrifugal Assy
17	8174312	Switch, Start
18	8174347	Overload
19	W10222144	Frame, Lower End Assembly
20	4211330	Screw, Ground
21	4211326	Shield, Wire
22	8174315	Cover, Terminal
23	4211612	Screw
24	4211348	Bolt, Thru
25	8174310	Wrench

Following Parts Not Illustrated

W10211205 Disposer, Complete

FOR ORDERING INFORMATION REFER TO PARTS PRICE LIST