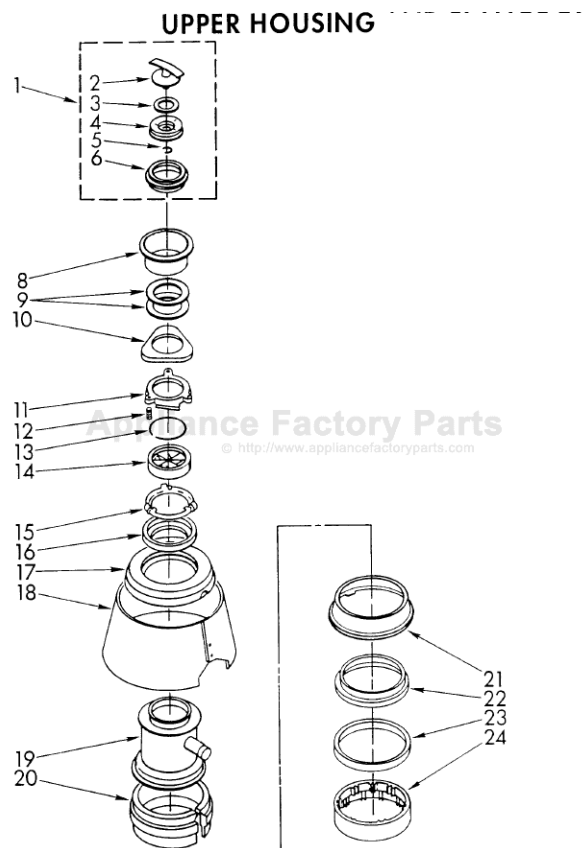


This Owner's Manual is provided and hosted by [Appliance Factory Parts](http://www.appliancefactoryparts.com).



KITCHENAID KCDS250X Owner's Manual

[Shop genuine replacement parts for KITCHENAID
KCDS250X](#)



[Find Your KITCHENAID Disposal Parts - Select From 75 Models](#)

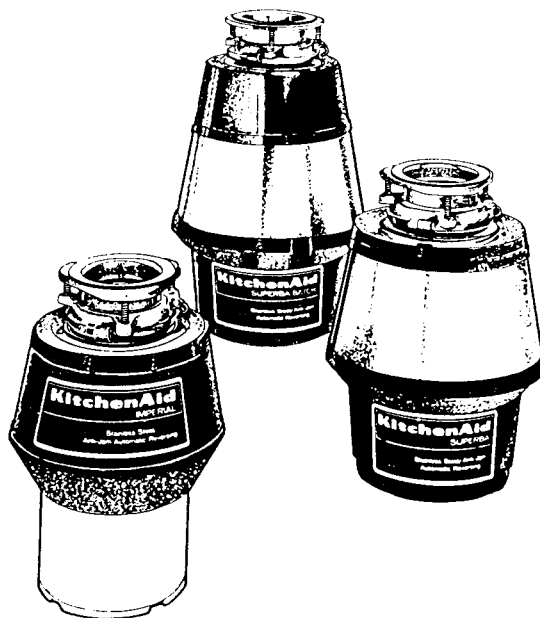
----- Manual continues below -----

KitchenAid®

Heavy Duty Disposers

Models: Imperial KCDI250
Superba KCDS250
Superba KBDS250

Use and Care Guide



IMPORTANT SAFETY INSTRUCTIONS

⚠ WARNING

To reduce the risk of fire, electrical shock, or injury when using your disposer, follow basic precautions including the following:

1. Read all instructions before using the appliance.
2. This disposer must be properly grounded. See Installation Instructions for details.
3. To reduce the risk of injury, close supervision is necessary when an appliance is used near children.
4. Do not put fingers or hands into a waste disposer. When attempting to remove objects from a waste disposer, shut off the wall switch or for batch feed disposers remove cover and use long-handled tongs or pliers.
5. Should the disposer appear to be jammed, for continuous feed disposers shut off the wall switch, or for batch feed disposers remove cover and follow the anti-jamming instructions on page 5.
6. To reduce the risk of injury by materials that may be expelled by a waste disposer, do not put the following into a disposer.
 - a. Clam or oyster shells
 - b. Drain cleaner
 - c. Glass, china or plastic
 - d. Large, whole bones
 - e. Metal, such as bottle caps, tin cans or aluminum foil
 - f. Whole corn husks
7. When not operating a disposer, leave the drain cover in place to reduce the risk of objects falling into the disposer.
8. After all food waste has been fed into the disposer, place the cover in the DRAIN/GRIND position.

SAVE THESE INSTRUCTIONS

GROUNDING INFORMATION

⚠ WARNING

Electrical Shock Hazard

This appliance must be connected to a grounded, metal, permanent wiring system; or an equipment-grounding conductor must be run with the circuit conductors and connected to the equipment-grounding terminal in the disposer. Failure to do so can result in electrical shock and personal injury.

For detailed instructions see Installation Instructions. ALL ELECTRICAL CONNECTIONS MUST CONFORM WITH LOCAL CODES. This disposer is listed by Underwriters Laboratories, Inc.

TABLE OF CONTENTS

	Page
Important Safety Instructions	2
Grounding Instructions	2
Ownership Registration Card	3
Operating Instructions	3
Care and Cleaning	6
When You Need Service	7
2 Warranty	Back Cover

OWNERSHIP REGISTRATION CARD

Before you use your disposer, please fill out and mail your ownership registration card. This card will enable us to contact you in the unlikely event of a product safety notification and assist us in complying with the provisions of the Consumer Product Safety Act. **THIS CARD DOES NOT VERIFY YOUR WARRANTY.**

Keep a copy of the sales receipt showing the date of purchase and/or date of installation of your disposer. **PROOF OF PURCHASE WILL INSURE YOU OF IN-WARRANTY SERVICE.**

Write down the following information. You will need it if your disposer ever requires service.

Model Number* _____

Serial Number* _____

Date Purchased _____

Date Installed _____

Dealer's Name _____

Address _____

Phone _____

*Model and Serial Numbers are located on a label near the bottom of the disposer.

OPERATING INSTRUCTIONS FOR CONTINUOUS FEED MODELS

KitchenAid Imperial (Model KCDI250)

KitchenAid Superba (Model KCDS250)

The KitchenAid continuous feed disposers have a two-piece cover that acts *only* as a seal. To seal the cover for holding water in the sink, insert the cover into the disposer opening and rotate the center portion of the cover until it drops into the seal position. Press the cover down firmly in the disposer opening. A wall switch is used to turn the disposer on or off.

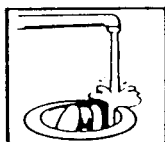
CAUTION

Product Damage Hazard

Do not operate the disposer with the cover in the SEAL position. After all food waste has been fed into the disposer, place the cover in the DRAIN/GRIND position. Failure to do so can result in product damage.

TO OPERATE:

1. Remove cover from sink opening and turn on a good flow of COLD water. It is absolutely necessary that cold water flows into the disposer while it is in operation. (Cold water hardens greasy substances, making it easy to grind them into tiny particles. Cold water also keeps grease from sticking to the drain lines.) If you have a double sink, make sure the faucet is positioned to the side where the disposer is installed during operation of the disposer.
2. Scrape food waste into disposer opening. Mix soft and hard food waste items for most efficient grinding.
3. For maximum safety, to minimize the possible ejection of materials while grinding, after all food waste has been fed into the disposer, place the cover in the DRAIN/GRIND position (see illustration).



⚠ WARNING

Personal Injury Hazard

Do not put hands into disposer. Failure to do so can result in personal injury.

4. Turn wall switch to ON position.
5. Allow both the disposer and cold water to run after grinding is completed to help flush out drain pipes. Ground waste and water flow at an approximate rate of 2 seconds/foot in a pitched horizontal drain pipe. The water flow time after grinding will depend on the quantity of ground food waste and the length of horizontal drain pipe.
6. Turn wall switch to OFF position. Turn off water.

OPERATING INSTRUCTIONS FOR BATCH FEED MODEL

KitchenAid Superba (Model KBDS250)

The KitchenAid batch feed disposer has a built-in ON/OFF switch which is operated by the cover.

TO OPERATE:

1. Remove the cover and scrape food waste into disposer opening. Mix soft and hard food waste items for most efficient grinding.
2. Turn on a good flow of COLD water. (Cold water hardens greasy substances, making it easy to grind them into tiny particles. Cold water also keeps grease from sticking to the drain lines.) It is absolutely necessary that cold water flows into the disposer while it is in operation. If you have a double sink, make sure the faucet is positioned to the side where the disposer is installed during operation of the disposer.
3. Place the cover back into the sink sleeve in the SEAL position. Lift up the cover handle slightly and turn it to the right or left until the disposer starts.
4. Allow both the disposer and cold water to run after grinding is completed to help flush out drain pipes. Ground waste and water flow at an approximate rate of 2 seconds/foot in a pitched horizontal drain pipe. The water flow time after grinding will depend on the quantity of ground food waste and the length of horizontal drain pipe.
5. Turn handle to the right or left to stop disposer. Turn off water.

INSTRUCTIONS FOR ALL DISPOSER MODELS

WHAT CAN BE PUT IN YOUR KITCHENAID DISPOSER?

Your disposer is designed to dispose of food wastes including bones, fruit and vegetable wastes, pits, egg shells and coffee grounds. Large pieces of food waste like melon rinds should be cut into smaller pieces before being put into the disposer.

To avoid possible drain blockage, do not grind extremely fibrous material like corn husks and artichokes.

If the disposer drains into a septic tank, grinding wastes such as egg shells, lobster, crab and shrimp shells should be kept at a minimum. Grinding large amounts of this type of waste may require more frequent cleaning of the septic tank system.

⚠ CAUTION

Product Damage Hazard

Do not put items like glass, china, metal, tin cans, bottle caps or oyster and clam shells into the disposer. These items belong in the trash. Damage may result to both disposer and drain system if this type of trash is placed in a disposer.

IF YOUR DISPOSER JAMS

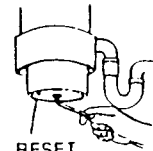
Accidental entry of foreign material will cause any disposer to jam occasionally. To free jammed material, the following procedure should be used:

⚠ WARNING

Personal Injury Hazard

Make sure wall switch is in OFF position before using Jam Breaker Wrench. Failure to do so can result in personal injury.

1. Turn wall switch to OFF position for continuous feed disposer, or remove cover for batch feed disposers.
2. Insert an end of your Jam Breaker Wrench (provided with your disposer), into the center hole of the bottom of the disposer (see Illustration).
3. Work the Wrench back and forth until it moves freely for at least one complete revolution. Remove foreign object with tongs. Remove Wrench before restarting disposer.
4. Wait 3 to 5 minutes to allow disposer motor to cool and then push red Reset Button (see Illustration). **Before pressing red reset button be sure the wall switch is in the off position and on batch feed models remove the stopper from the run position.**
5. Start the disposer.



RESET
BUTTON

OPERATION WITH DISHWASHER

If your dishwasher drains through your disposer always run the disposer for a short time before starting the dishwasher. This will insure that the disposer is free of any unground food waste. Such waste could cause a "backup" of the discharge water from the dishwasher. **DO NOT OPERATE THE DISPOSER WHILE THE DISHWASHER IS IN OPERATION.** After operating the dishwasher, run the disposer for

a short time to clean and flush all particles discharged by the dishwasher into the disposer down the main drain line.

When the dishwasher is in operation, we recommend the cover be placed in the DRAIN/GRIND position. This will eliminate the possibility of water splash out.

USE ENERGY WISELY

A food waste disposer uses a negligible amount of energy. Total energy requirements associated with operating a food waste disposer will be minimized by following the recommendations in this Use and Care Guide.

CARE AND CLEANING

The unique design of the grinding elements of the disposer create a whirling water action which keeps the grinding chamber always clean and free of odors.

After some use a brown discoloration may appear on the face of the grinding disc. This is normal. It is a surface discoloration only and will not affect the life or performance of the disposer.

Do not "store" food waste in the disposer between grindings. This can lead to odors, a clogged drain or a jam.

Use **COLD** water *only* when operating the disposer. Cold water hardens greasy substances, making it easy to grind them into tiny particles. Cold water also keeps grease from sticking to the drain lines.

Odors coming from your disposer are usually from food waste left inside the disposer as a result of insufficient water to flush the disposer. To clean, the following procedure should be used:

Turn wall switch to OFF position. Place cover in the SEAL position and fill sink half way with lukewarm water. Add one cup baking soda and mix to form a solution. Turn on the disposer; remove cover from sink. This will flood the inside of the disposer to wash away particles loosened in the cleaning operation. The baking soda will freshen the inside of the disposer.

⚠ CAUTION

Product Damage Hazard

NEVER use chemical or solvent drain compounds in the disposer. They can cause serious damage and are unnecessary if the disposer is operated according to the above instructions.

Your KitchenAid disposer is permanently lubricated and will never need additional lubrication.

WHEN YOU NEED SERVICE

Follow These Steps

1. If your disposer should fail to operate, review the following list before calling your dealer. You could save the cost of a service call.

Turn wall switch to OFF position or remove cover and manually use the Jam Breaker Wrench to turn the grind wheel, making sure it is free to rotate. **NEVER PUT YOUR HANDS IN THE DISPOSER.** If the grind wheel does not turn freely, the disposer is probably jammed and you should follow the procedures outlined on page 5.

JAMS OF ANY NATURE ARE NOT CONSIDERED A PRODUCT DEFICIENCY AND ARE NOT COVERED BY IN-WARRANTY SERVICE OR LABOR.

Has a fuse blown, or is the circuit breaker open?

Is the switch controlling the disposer turned to the ON position?

Is the red Reset Button on the bottom of the disposer pushed in?

2. If the problem is not due to one of the above items, see "How to Arrange for Service" listed in the Warranty Statement.
3. If you are not satisfied with the action taken, contact the Major Appliance Consumer Action Panel (MACAP). MACAP is a group of independent consumer experts that voices consumer views at the highest levels of the major appliance industry. Contact them only when the dealer, authorized servicing outlet and KitchenAid, Inc. have failed to resolve your problem.

Major Appliance Consumer Action Panel
20 North Wacker Drive
Chicago, IL 60606

MACAP will in turn inform us of your action.

In all correspondence about your disposer, please include:

- Date
- Your Name, Address and Telephone Number
- Type of Appliance
- Brand
- Model Number
- Serial Number
- Date Purchased
- Dealer from Which Purchased (include address)
- Servicing Agent (include name and address if different from dealer's)
- Location of Appliance
- A Clear Description of the Problem and the Service Required

KitchenAid® DISPOSER WARRANTY

Models KCDI250, KCDS250, and KBDS250

LENGTH OF WARRANTY:	KITCHENAID WILL PAY FOR:	KITCHENAID WILL NOT PAY FOR:
<p>FIVE YEAR FULL WARRANTY FROM DATE OF INSTALLATION FOR MODEL: KCDI250 ONLY.</p>	<p>Replacement parts and repair labor to correct defects in materials or workmanship. Service must be provided by an authorized KitchenAid service outlet.</p>	<p>A. Service calls to:</p> <ol style="list-style-type: none"> 1. Correct the installation of the disposer. 2. Instruct you how to use the disposer. 3. Replace house fuses or correct house wiring. 4. Correct house plumbing. <p>B. Repairs when disposer is used in other than normal home use.</p> <p>C. Damage resulting from accident, alteration, misuse, abuse, improper installation or installation not in accordance with local electrical or plumbing codes.</p> <p>D. Replacement parts or repair labor costs for units operated outside the United States.</p> <p>E. Pickup and delivery. This product is designed to be repaired in the home.</p> <p>F. Repairs to parts or systems caused by unauthorized modifications made to the appliance.</p>
<p>SEVEN YEAR FULL WARRANTY FROM DATE OF INSTALLATION FOR MODELS: KCDS250 and KBDS250.</p>		

KITCHENAID DOES NOT ASSUME ANY RESPONSIBILITY FOR INCIDENTAL OR CONSEQUENTIAL DAMAGES. Some states do not allow the exclusion or limitation of incidental or consequential damages, so this exclusion or limitation may not apply to you.

This warranty gives you specific legal rights and you may also have other rights which vary from state to state.

If you need service, first see the "When You Need Service" section of this book. After checking "Service and Assistance," additional help can be found by calling our service assistance telephone number, **1-800-422-1230**, from anywhere in the U.S.

KitchenAid
St. Joseph, Michigan, U.S.A. 49085

® Registered Trademark of KitchenAid

Specifications subject to change without notice.

Part No. 70322/4211563

© KitchenAid 1991