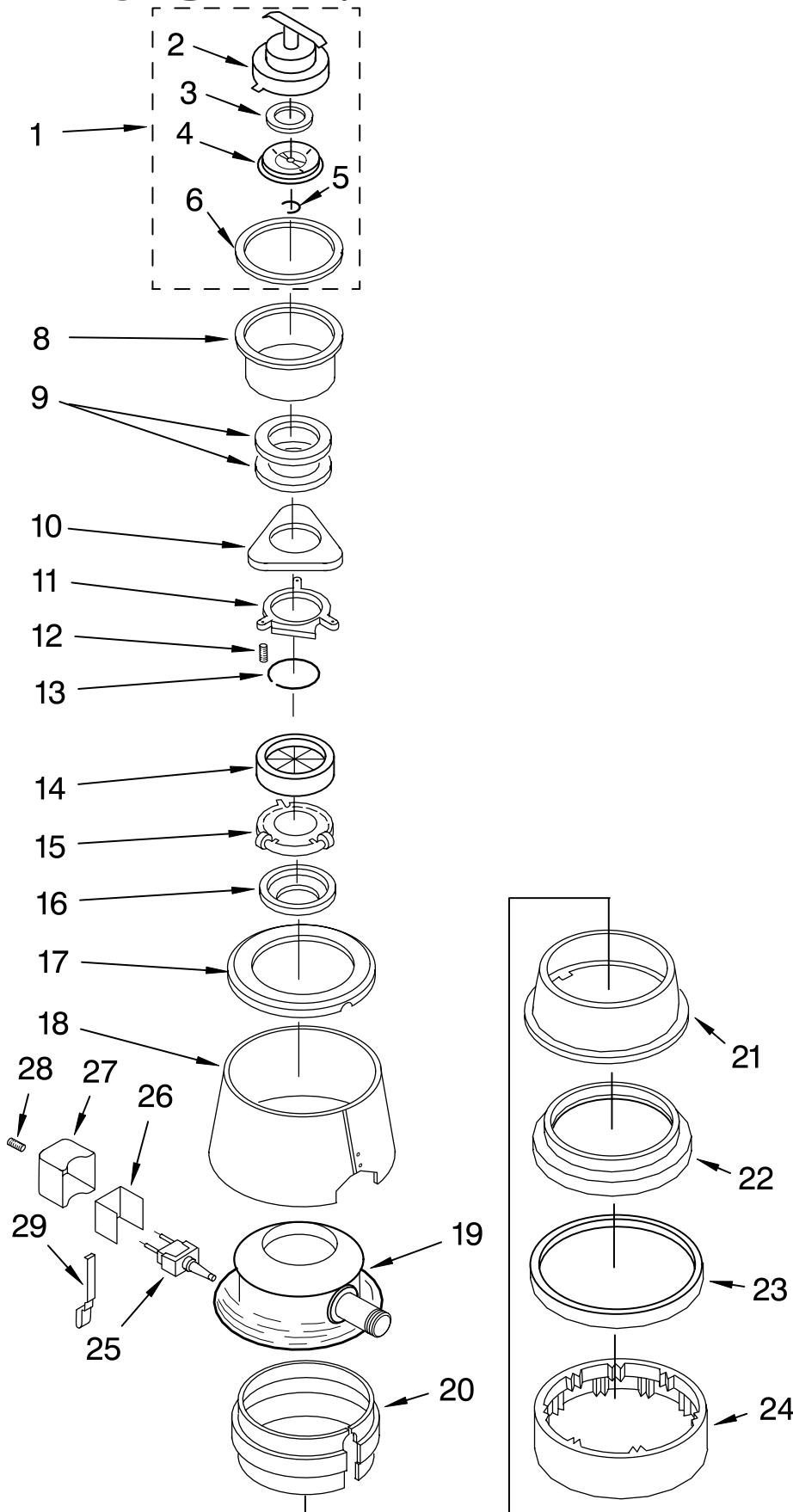


UPPER HOUSING AND FLANGE PARTS

DISPOSER

KitchenAid®

For Model: KCDS250X3



Illus. No.	Part No.	DESCRIPTION
1	4211353	Stopper Assembly
2	4211354	Handle, Stopper
3	4211355	Gasket, Stopper (Inner)
4	4211356	Body, Stopper
5	4211357	Ring, Retaining
6	4211333	Gasket, Stopper (Outer)
8	4211553	Flange, Strainer
9	4211302	Gasket, Sink Flange
10	4211303	Flange, Backup
11	4211304	Flange, Mounting
12	4211305	Screw, Backup (3)
13	4211306	Ring, Retaining
14	4211334	Gasket, Mounting
15	4211308	Flange, Body
16	4211359	Gasket, Body
17	4211360	Shell Assembly, Trim (Top)
18	4211361	Band, Trim Assembly
19	8174318	Container, Body Assembly (Includes Sound Insulation)
20	4211363	Insulation, Top
21	4211364	Body, Lower
22	4211365	Gasket, Shredder
23	4211366	Insulation, Sound
24	4211630	Shredder, Stationary

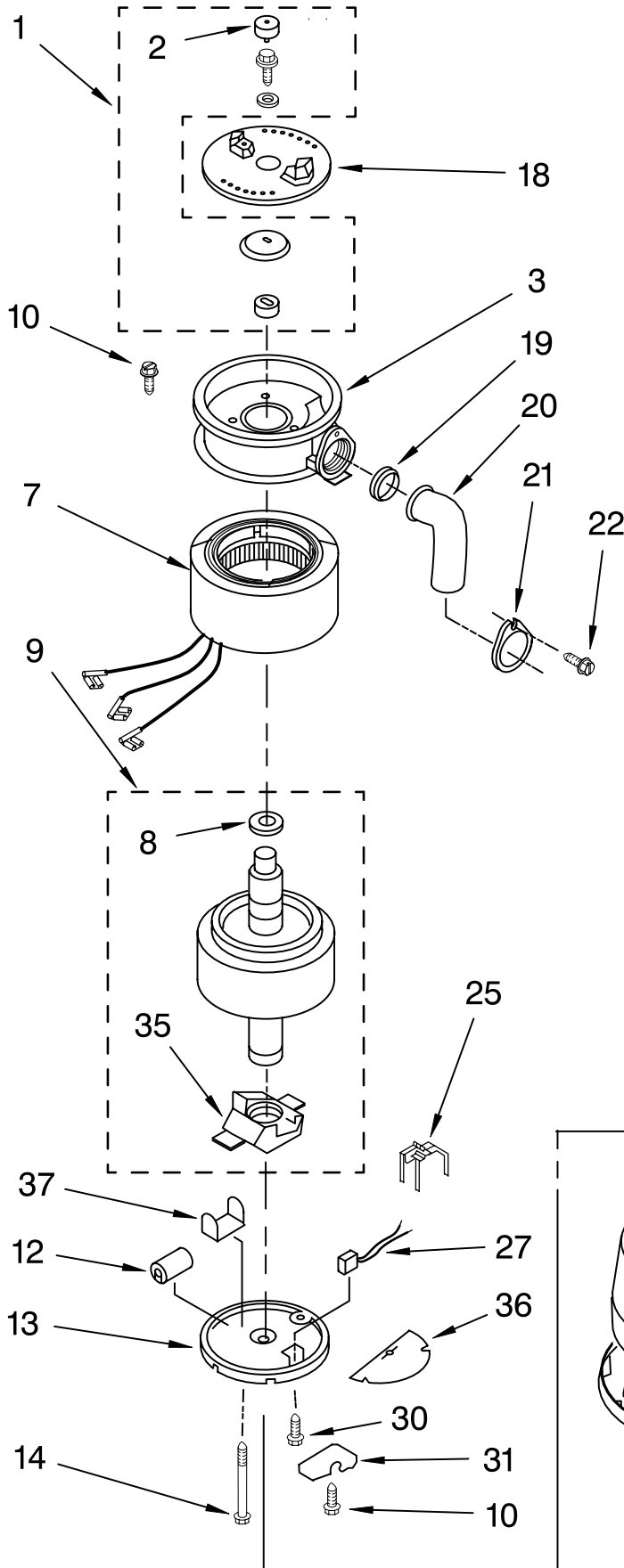
Following Parts Not Illustrated

- LIT4211563 Guide, Use And Care
- LIT4211562 Instructions, Installation (English)
- LIT8174320 Instruction Assy

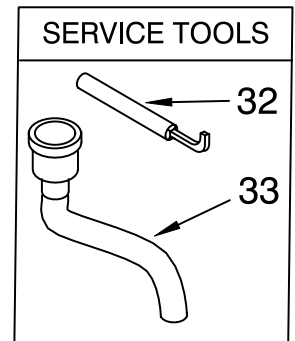
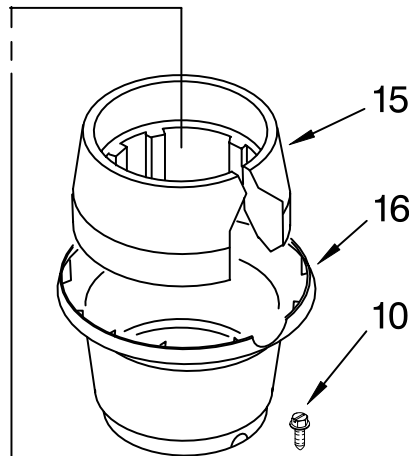
FOR ORDERING INFORMATION REFER TO PARTS PRICE LIST

LOWER HOUSING AND MOTOR PARTS

For Model: KCDS250X3



Illus. No.	Part No.	DESCRIPTION
1	4211578	Kit, Sleeve And Seal (Includes Plug, Bolt, Washer, Slinger And Sleeve)
2	4211341	Plug
3	4211492	End Bell Assembly (Upper)
7	4211375	Stator Assembly
8	4211321	Washer
9	4211632	Shaft Assembly (Includes 8 & 35)
10	4211612	Screw (4)
12	4211385	Capacitor
13	4211635	End Frame, Assembly (Lower)
14	4211348	Bolt, Thru (2)
15	4211393	Insulation, Bottom
16	8174319	Trim, Shell Assembly
18	4211631	Shredder Assembly, Rotating
19	4211344	Gasket, Tailpipe
20	4211370	Tailpipe
21	4211345	Flange, Tailpipe
22	4211346	Screw, Tailpipe
25	4211633	Switch Assembly, Start & Reverse
27	8174298	Overload, Protector
30	4211330	Screw, Ground
31	4211611	Cover, Terminal
32	4211435	Wrench Holder Assembly
33	4211396	Adapter, Sink
35	4211322	Actuator Switch Centrifugal
36	4211326	Shield, Wire
37	8174299	Clip, Capacitor



FOR ORDERING INFORMATION REFER TO PARTS PRICE LIST