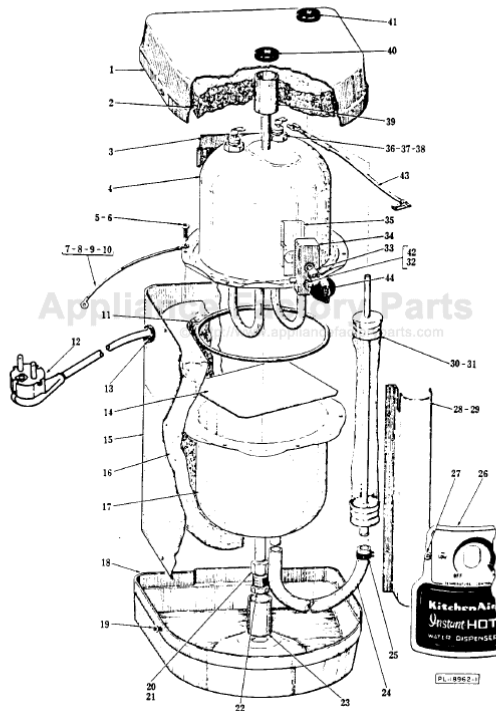


This Owner's Manual is provided and hosted by [Appliance Factory Parts](http://Appliance Factory Parts).



# KITCHENAID 5KHWS160S Owner's Manual

[Shop genuine replacement parts for KITCHENAID  
5KHWS160S](#)



[Find Your KITCHENAID Small Appliance Parts - Select From 538 Models](#)

----- Manual continues below -----

# PARTS LIST

for

# KitchenAid®

HOT WATER DISPENSER

230 VOLT, 50 HZ. MODELS

<u>ML</u>	<u>MODEL NO.</u>	<u>SAME AS MODEL NO.</u>
42052	5KHWS160S	KIH-160E
42054	7KHWS160S	KIH-160UK



FOR CUSTOMER SATISFACTION ALWAYS USE  
FACTORY SPECIFICATION PARTS

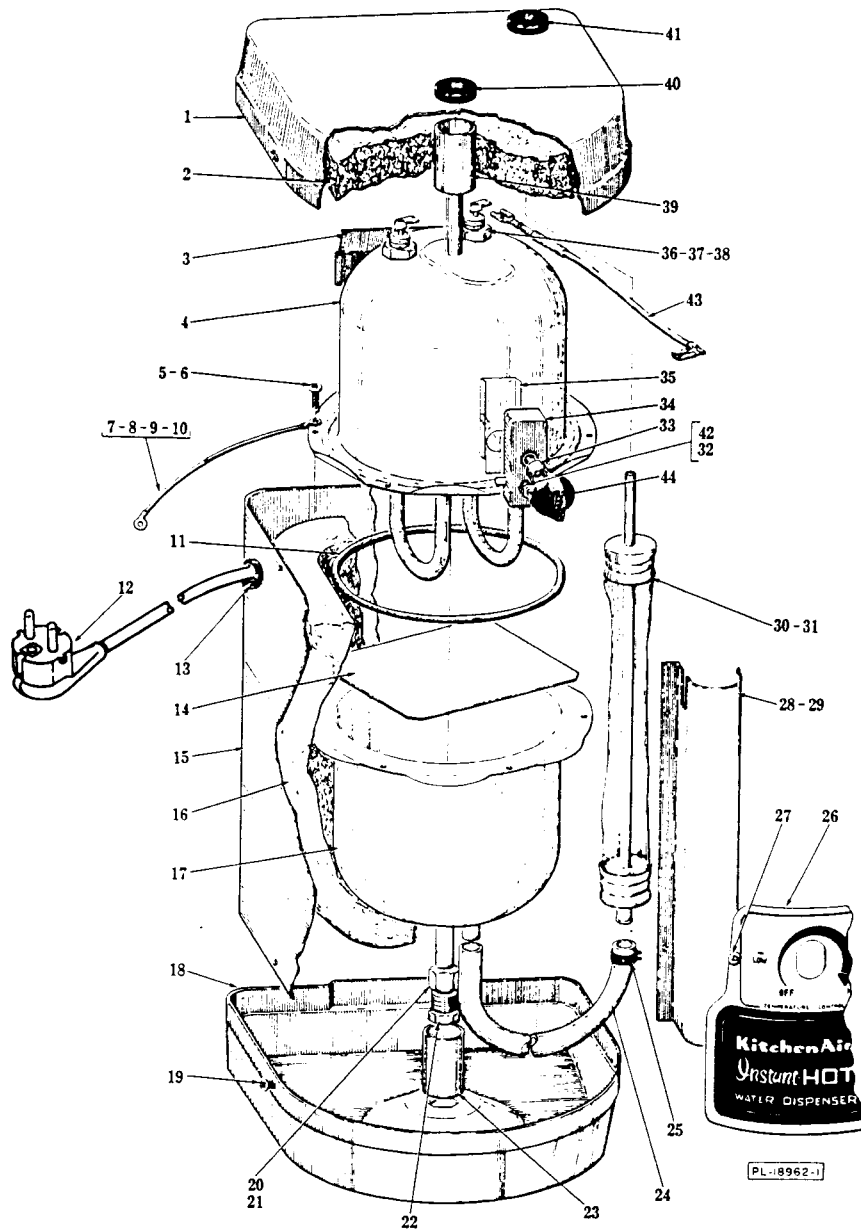


KITCHENAID, INC.

ST. JOSEPH, MI 49085

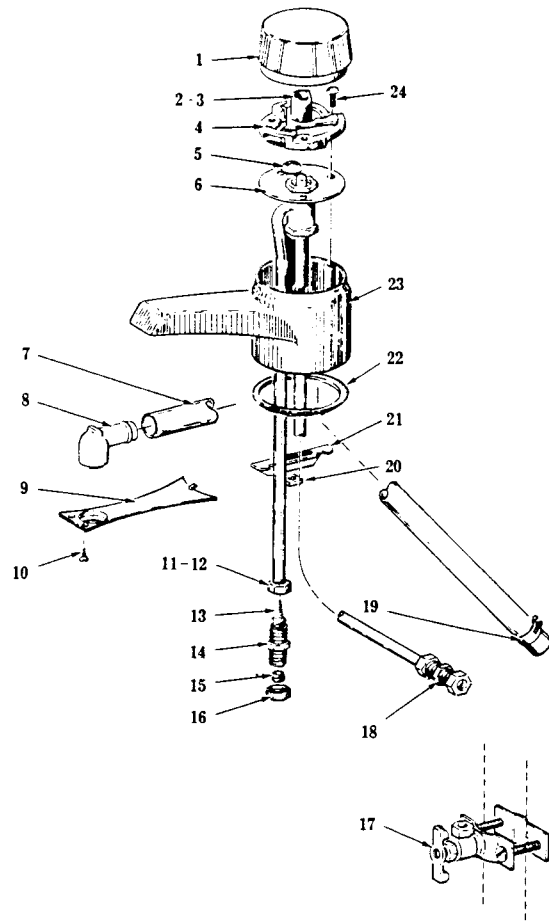
4-87 Litho in U.S.A.

PART NO. 4176902



DISPENSER UNIT

1	D-241256-1	Cap - Top
2	B-240811	Insulation - Upper
3	B-241258	Bracket - Mounting
4	C-240798-2	Upper Tank & Tube Assy
5	SC-18-31	Mach. Screw - #8-32 x 3/8" Phil. Pan Hd
6	NS-9-12	Mach. Nut - #8-32 Hex
7	B-240834	Ground Wire Assy
8	SC-71-9	Mach. Screw - #8-32 x 1/2" Phil. Truss Hd
9	WL-7-7	Lock Washer - #8 Ext. Shakeproof
10	NS-9-12	Mach. Nut - #8-32 Hex
11	D-67500-96	"O" Ring
12	241426	Model KIH160EUR (Cord & Plug)
	241425	Model KIH160UK (Cord Only)
13	FE-22-55	Strain Relief
		Model KIH160UK
	FE-17-41	Strain Relief
		Model KIH160EUR
14	B-240802-1	Deflector
15	241443	Shell Cover Assy
16	B-240805	Insulation - Tank
17	C-240797	Lower Tank Assy
18	D-241257-1	Cap - Bottom
19	SA-21-19	Screw & L.W. Assy. - #8 x 3/8" Phil. Truss Hd
20	FP-47-20	Nut - Tube Fitting (3/8")
21	FP-47-11	Sleeve - Tube Fitting (3/8")
22	B-241260	Plug - Drain
23	B-240807	Spacer
24	B-240821	Hose - Clear
25	B-113156-4	Clamp - Tube (9/16" Tube)
26	C-241472	Cover - Thermostat
27	SD-33-6	Self-Tapping Screw - #6-32 x 3/8" Phil. Pan Hd., Type 23
28	C-241259	Cover - Aspirator
29	RS-32-11	Rivet - 1/8" Dia. x 9/64" Lg., Oval Hd
30	C-240815	Displacer Assy
31	B-240807	Spacer
32	NS-9-12	Mach. Nut - #8-32 Hex
33	B-240814	Bushing - Thermostat
34	D-240812	Thermostat
35	B-240813	Dust Cover - Thermostat
36	241385-2	Heater Element (Incls. items #37 & 38)
37	D-67500-100	"O" Ring
38	M-79861	Nut - Heater Element
39	B-240807	Spacer
40	A-203693-2	Bushing - Water Outlet Tube
41	A-203693-3	Bushing - Water Inlet Tube
42	WL-7-7	Lock Washer - #8 Ext. Shakeproof
43	B-241371	Thermal Fuse Assy
44	B-241283	Knob - Thermostat
	C-240795-2	Upper Tank Assy. (Incls. items #4 & 36)
	B-242008	Thermostat & Dust Cover Assy. (Incls. items #34 & 35)



SPOUT UNIT

1	C-114041-4	Cap Assy
2	D-241384	Hub - Valve Drive
3	B-242464	Spring - Compression
4	D-241383	Hub - Cam
5	SC-116-33	Cap Screw - 1/4" 20 x 5" Rd. Hd
6	E-241689-1	Mechanical Valve Assy. (Incls. items #13 & 14)
7	B-203694-10	Tube (3/8" I.D.)
8	C-242479	Spout & Screen Assy
9	C-241684	Plate - Spout
10	SD-32-12	Self-Tapping Screw - #4-20 x 5/16" Phil. Flat Hd. "Plastite"
11	FP-47-35	Nut - 1/4" Compression Union
12	FP-47-34	Sleeve - 1/4" Compression Union
13	B-240443	Screen - Inlet
14	FP-75-1	Union - Compression (1/4" Tube to 1/4" Tube) (Incls. items #11, 12, 15 & 16)
15	FP-47-34	Sleeve - 1/4" Compression Union
16	FP-47-35	Nut - 1/4" Compression Union
17	C-113614	Self-Drilling Valve Assy
18	FP-75-1	Union - Compression (1/4" Tube to 1/4" Tube) (Incls. items #11, 12 15 & 16)
19	B-113156-2	Clamp - Tube (3/8" Tubing)
20	NS-8-7	Mach. Nut - 1/4"-20 Sq
21	D-240825	Bracket - Spout
22	B-241669	Seal - Sink
23	E-240823	Body - Spout
24	SD-33-3	Self-Tapping Screw - #6-20 x 1/2" Rd. Hd. Type BT
	241427	Kit - Tube & Bracket Assy. (Incls. items #17, 18, 19, 22 & #3 on page 3)
	242456-4	Spout Unit Assy. (Incls. items #1 thru 16, 19 thru 24)