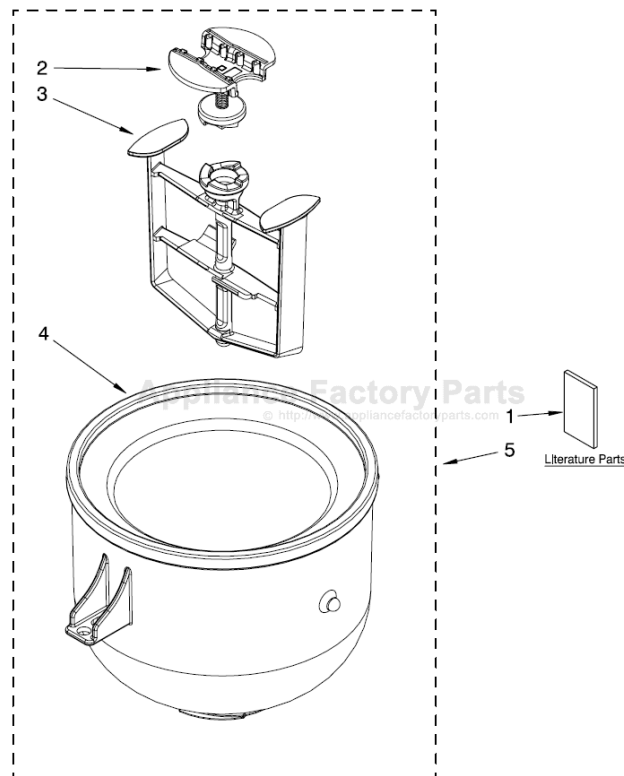


This Owner's Manual is provided and hosted by [Appliance Factory Parts](http://ApplianceFactoryParts.com).



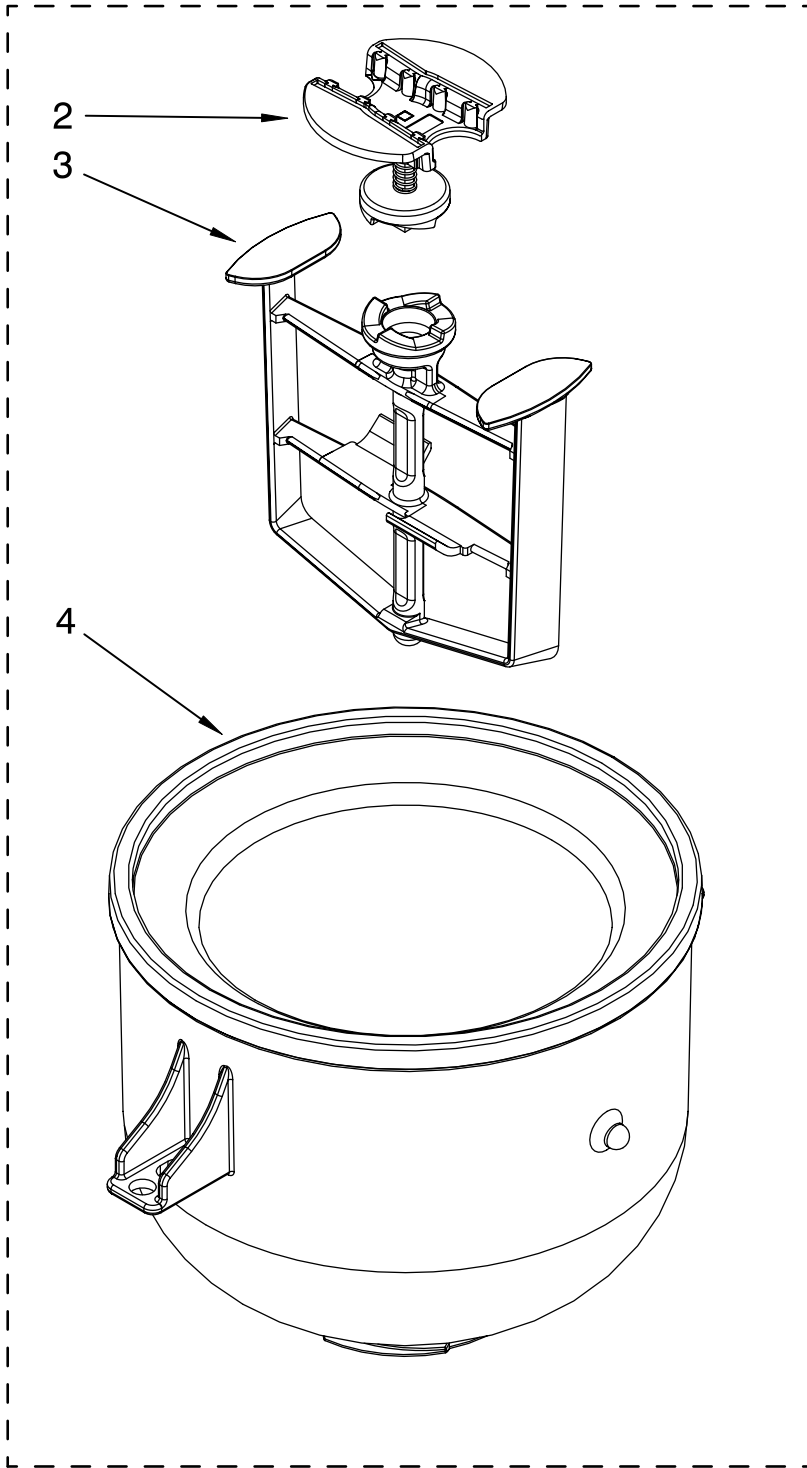
# KITCHENAID 5KICA0WH0 Owner's Manual

[Shop genuine replacement parts for KITCHENAID  
5KICA0WH0](#)

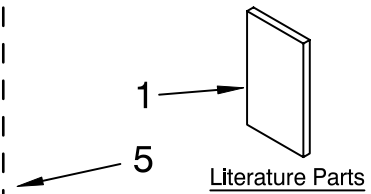


[Find Your KITCHENAID Small Appliance Parts - Select From 538 Models](#)

----- Manual continues below -----



Illus. No.	Part No.	DESCRIPTION
1		Literature Parts
	9709864	Use & Care Guide
	8212409	Repair Parts List
2	9709419	Drive Assembly
3	9709415	Dasher
4	9707962	Bowl Assembly
5	8212632	Ice Cream Maker Complete



FOR ORDERING INFORMATION REFER TO PARTS PRICE LIST