

# PARTS LIST

for

# **KitchenAid®**

## **5 QT STAND MIXER**

### **PROFESSIONAL, EUROPEAN – LIFT**

#### **MODELS:**

**5KPM50EWH4 (White)**

**5KPM50EGR4 (Imperial Grey)**

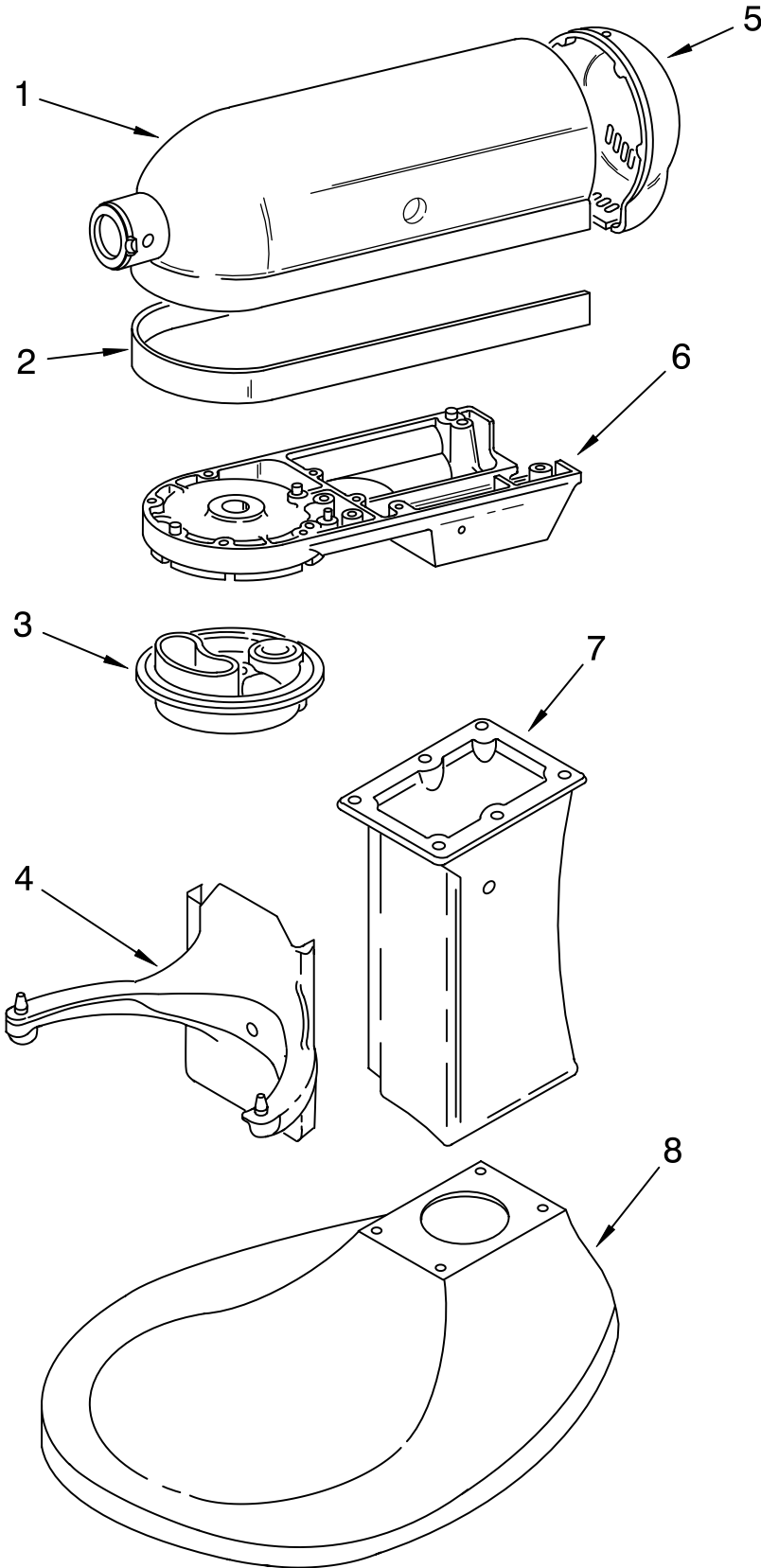


FOR CUSTOMER SATISFACTION ALWAYS USE  
FACTORY SPECIFICATION PARTS



# COLOR VARIATION PARTS

FOR MODEL: 5KPM50E\_4



Illus. No.	Part No.	DESCRIPTION
------------	----------	-------------

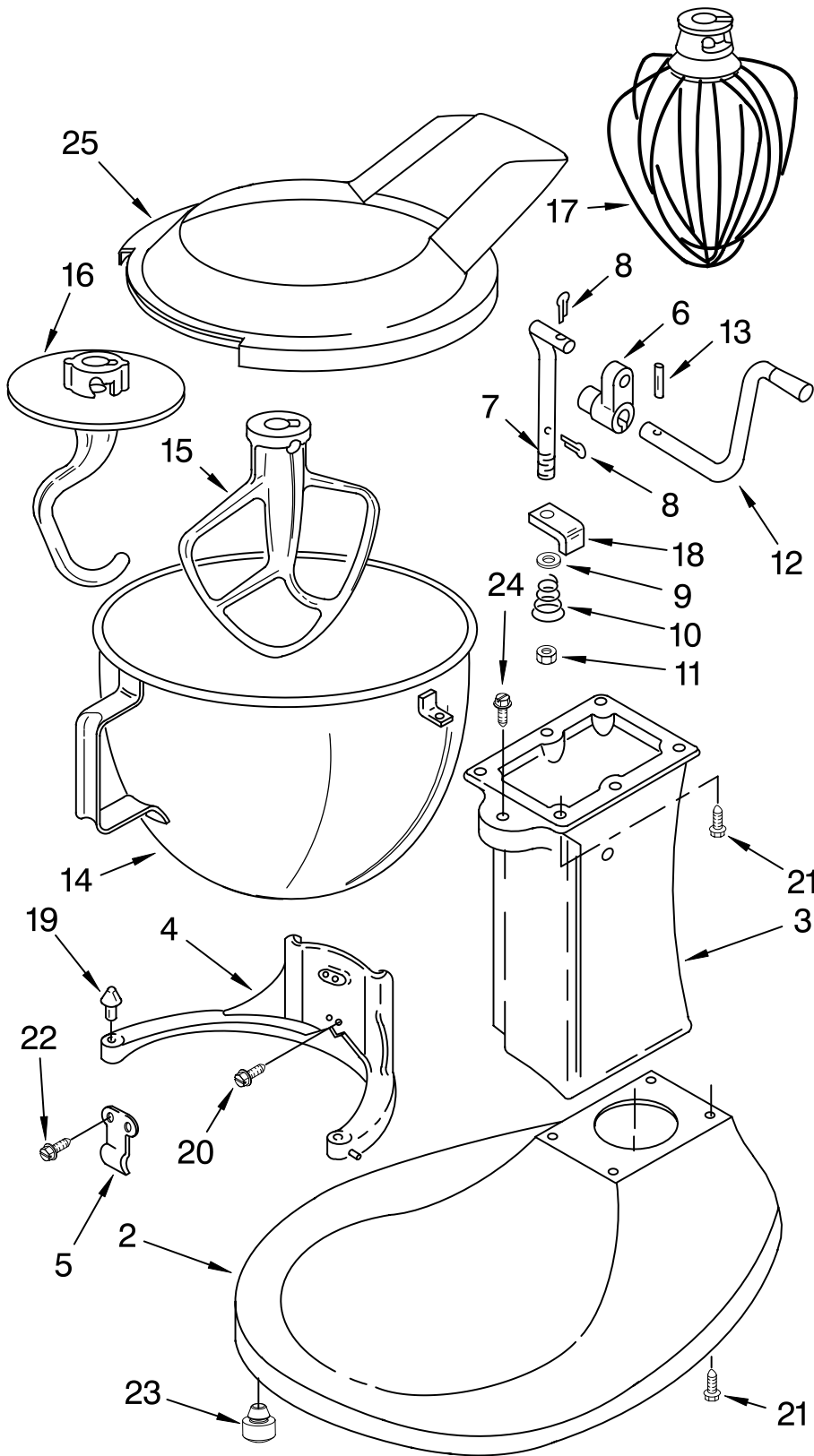
Colors Subject To Change.  
Any Color Not Listed is  
No Longer Available.  
If Additional Colors Are Added,  
This Page Will Be Updated.

1	240291-14	Motor Housing White
2	9706977	Trim Band Black
3	240286-1	Planetary White
4	3179300	Bowl Supp & Pins White
5	3179869	End Cover White
6	9701512	Lower Gearcase White
7	240148-4	Column White
8	3179280	Base & Foot Assembly White

FOR ORDERING INFORMATION REFER TO PARTS PRICE LIST

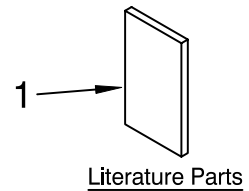
# BASE AND PEDESTAL UNIT

FOR MODEL: 5KPM50E\_\_4



Illus. No.	Part No.	DESCRIPTION
1		Literature Parts
	9706978	Use & Care Guide
	8212381	Repair Parts List
2	**	Base & Foot Supports
3	**	Column Assembly
4	**	Bowl Supp & Pins
5	3182857	Latch, Bowl Spring
6	4162874	Arm, Bowl Lift
7	9085	Rod, Bowl Lift
8	9704608	Pin, Cotter
9	4159514	Washer
10	9237	Spring
11	8533907	Nut
12	9079	Handle, Bowl Lift
13	9703442	Pin, Roll
14	4162116	Bowl (5 Qt)
15	9707670	Beater, Flat
16	9708033	Hook, Dough
17	9704309	Whip, Wire
18	240169	Bracket, Bowl Lift
19	240185	Pin, Bowl Locating
20	3400018	Screw
21	240912	Screw, Special
22	3400024	Screw
23	9708649	Foot, Rubber
24	3182904	Screw
25	9706633	Shield, Pouring

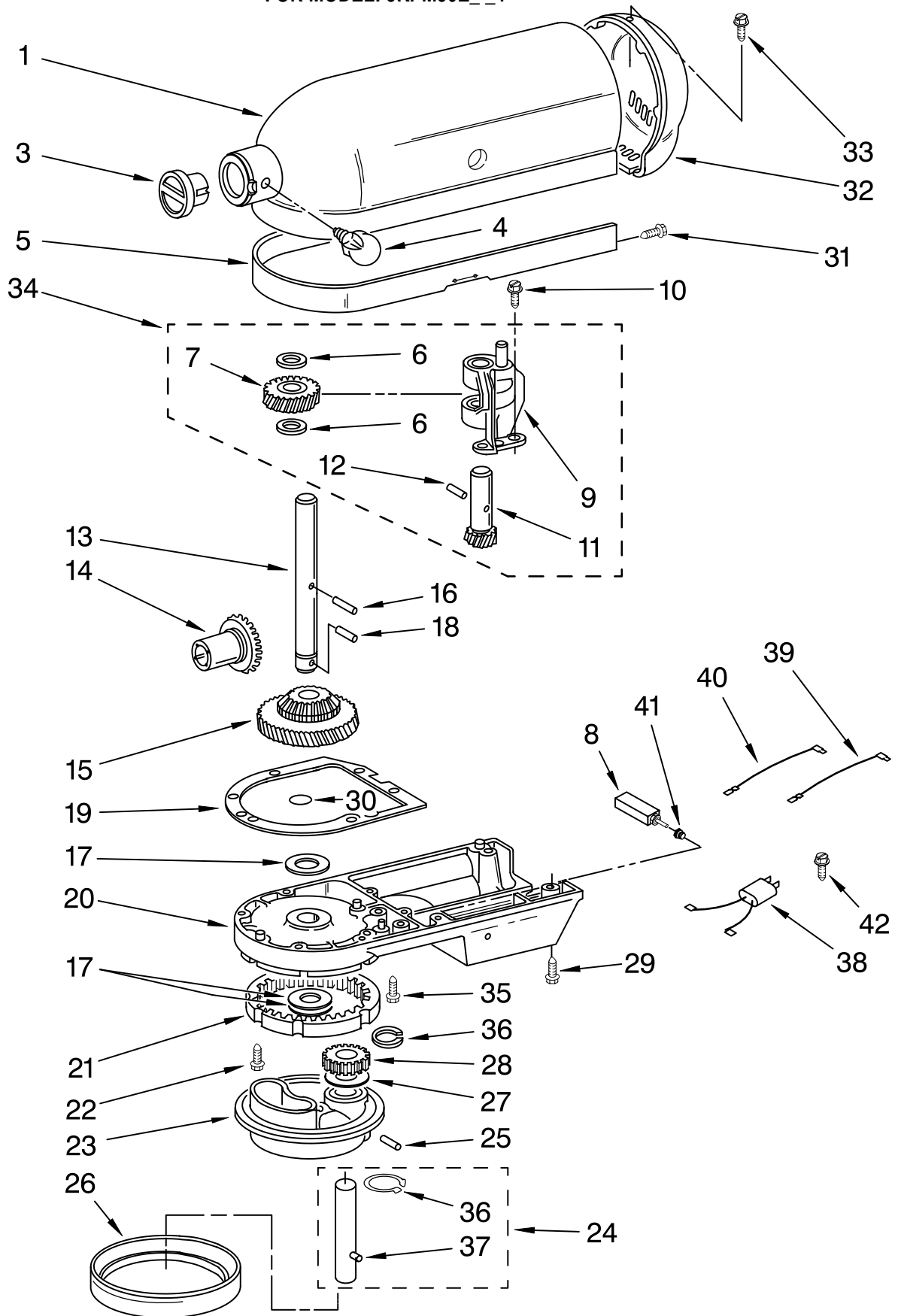
\*\* Refer to Page 3  
Color Variation Parts



FOR ORDERING INFORMATION REFER TO PARTS PRICE LIST

# CASE, GEARING AND PLANETARY UNIT

FOR MODEL: 5KPM50E\_4



FOR ORDERING INFORMATION REFER TO PARTS PRICE LIST

# CASE, GEARING AND PLANETARY UNIT

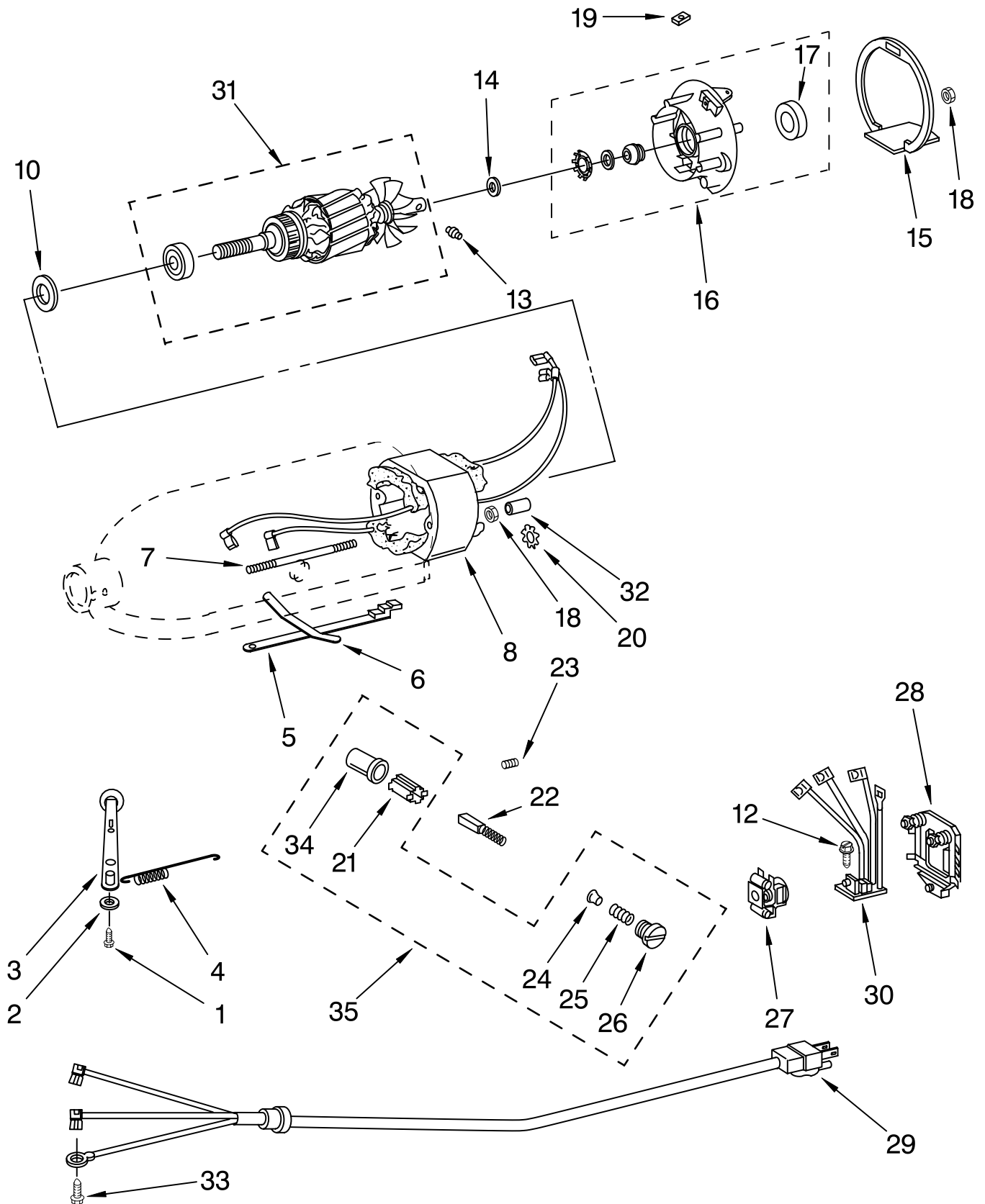
FOR MODEL: 5KPM50E\_\_4

Illus. No.	Part No.	DESCRIPTION	Illus. No.	Part No.	DESCRIPTION	Illus. No.	Part No.	DESCRIPTION
1	**	Gearcase Motor Housing	15	9709627	Bevel Pinion and Center Gear	29	3400025	Screw
3	242765-2	Cap, Attachment Hub	16	240018-1	Pin (Vertical Center Shaft)	30	67500-55	"O" Ring
4	9709194	Screw, Thumb	17	3180163	Washer	31	311932	Screw
5	**	Band, Trim	18	9705443	Pin	32	**	Cover, End
6	3180161	Washer, Fiber	19	4162324	Gasket, Transmission Case	33	4162914	Screw
7	4162897	Worm Gear	20	**	Lower Gear Case	34	240309-2	Gears, Worm & Pinion Assembly
8	241287-1	Breaker, Circuit	21	9703904	Gear, Internal	35	3400026	Screw, Machine
9	240308	Gear, Worm Bracket & Bearing	22	103994	Screw, Special	36	9703438	Ring, Retaining
10	3400022	Screw And L.W. Assy.	23	**	Planetary	37	9704677	Pin, Groove
11	240210-2	Shaft & Pinion	24	3184052	Shaft, Agitator	38	9705132	Filter, RFI
12	9705444	Pin	25	240018-1	Pin (Agitator Shaft Pinion)	39	9702309	Lead (Circuit Breaker)
13	240026	Shaft, Vertical Center	26	240285	Ring, Planetary Drip	40	9704827	Lead (Breaker to Control Board)
14	9705130	Gear, Attachment Hub Bevel	27	9706090	Washer, Shim	41	9701663	Button, Reset
			28	9703903	Pinion, Gear (Agitator Shaft)	42	3400834	Screw

\*\*Refer to Page 2  
Color Variation Parts

# MOTOR AND CONTROL PARTS

FOR MODEL: 5KPM50E\_4



FOR ORDERING INFORMATION REFER TO PARTS PRICE LIST

# MOTOR AND CONTROL PARTS

FOR MODEL: 5KPM50E\_\_4

Illus. No.	Part No.	DESCRIPTION	Illus. No.	Part No.	DESCRIPTION	Illus. No.	Part No.	DESCRIPTION
1	110679	Screw, Pivot	15	9701501	Seal, End	27	17830	Governor Assembly
2	116241	Washer, Spring	16	3180526	Bracket, Bearing Assembly	28	240904-2	Control Plate Assembly
3	9709276	Lever, Control And Stud	17	3180238	Washer, Felt	29		Cord, Power (TUV)
4	3183680	Spring, Control Plate	18	8533905	Nut		9702313	White
5	3184176	Speed Link & Cam	19	9701584	Seal, Foam	30	9706596	Phase Control Board
6	240205	Spring, Flat	20	W10068270	Washer	31	9708316	Armature & Bearing Assy (240V)
7	240769	Screw, Stator	21	240680	Insert, Brush Holder	32	4162634	Sleeve, Motor Stud
8	9701670	Field Assembly	22	9706416	Brush & Spring Assembly	33	3184609	Screw, Self
10	9704324	Washer, Ball Bearing (Front)	23	9707926	Screw, Set	34	3179908	Housing, Brush Holder
12	W10068260	Screw	24	116286	Cap, Spring Seat	35	4162546	Brush Holder Assy
13	16998	Stud, Governor Drive	25	116287	Spring, Cap			
14	3180162	Washer, Spacing	26	3184212	Cap, Brush Holder			

FOR ORDERING INFORMATION REFER TO PARTS PRICE LIST

# ACCESSORY PARTS

FOR MODEL: 5KPM50E\_\_4

<b>Illus. No.</b>	<b>Part No.</b>	<b>DESCRIPTION</b>
	4164778	Mixer Attachment Pak (Includes Food Grinder (FG-A), Food Strainer (FVSP), And Vegetable Slicer, (RVS-A) (FPP-A)
	4164749	Food Grinder (FG-A)
	8211924	Grain Mill (KGMA)
	4164768	Pasta Maker And Food Grinder (Includes SNP Pasta Maker Plates) (SN/FG-A)
	4164775	Fruit/Vegetable Strainer Parts (Use With FG-A Model Only) (FVSP)
	4164750	Rotor Slicer/Shredder (With 4 Standard Cones) Fine Shredder, Coarse Shredder, Thick Slicer, And Thin Slicer (RVS-A)
	3177975	Pouring Shield (KPS2CL)
	4164824	Pasta Maker Plates (SNP-A)
	4164774	Fruit/Vegetable Strainer And Food Grinder (FVS/FG-A)
	3180616	Cover, Decorative (Cotton Polyester)
	4162838	Food Tray (FT)
	4164748	Juicer (JE)
	4164747	Can Opener (CO)
	4164803	Sausage Stuffer Kit (SSA)
	4162154	Water Jacket (K5AWJ)
	3177925	Bowl Cover, Plastic Non-Sealing
	4176100	5 Qt. Bowl, Polished Stainless Steel
	4164839	Speed Disc (Service Tool)
	4160588	Grease, Planetary
	9707963	Ice Cream Maker (KICA)

FOR ORDERING INFORMATION REFER TO PARTS PRICE LIST