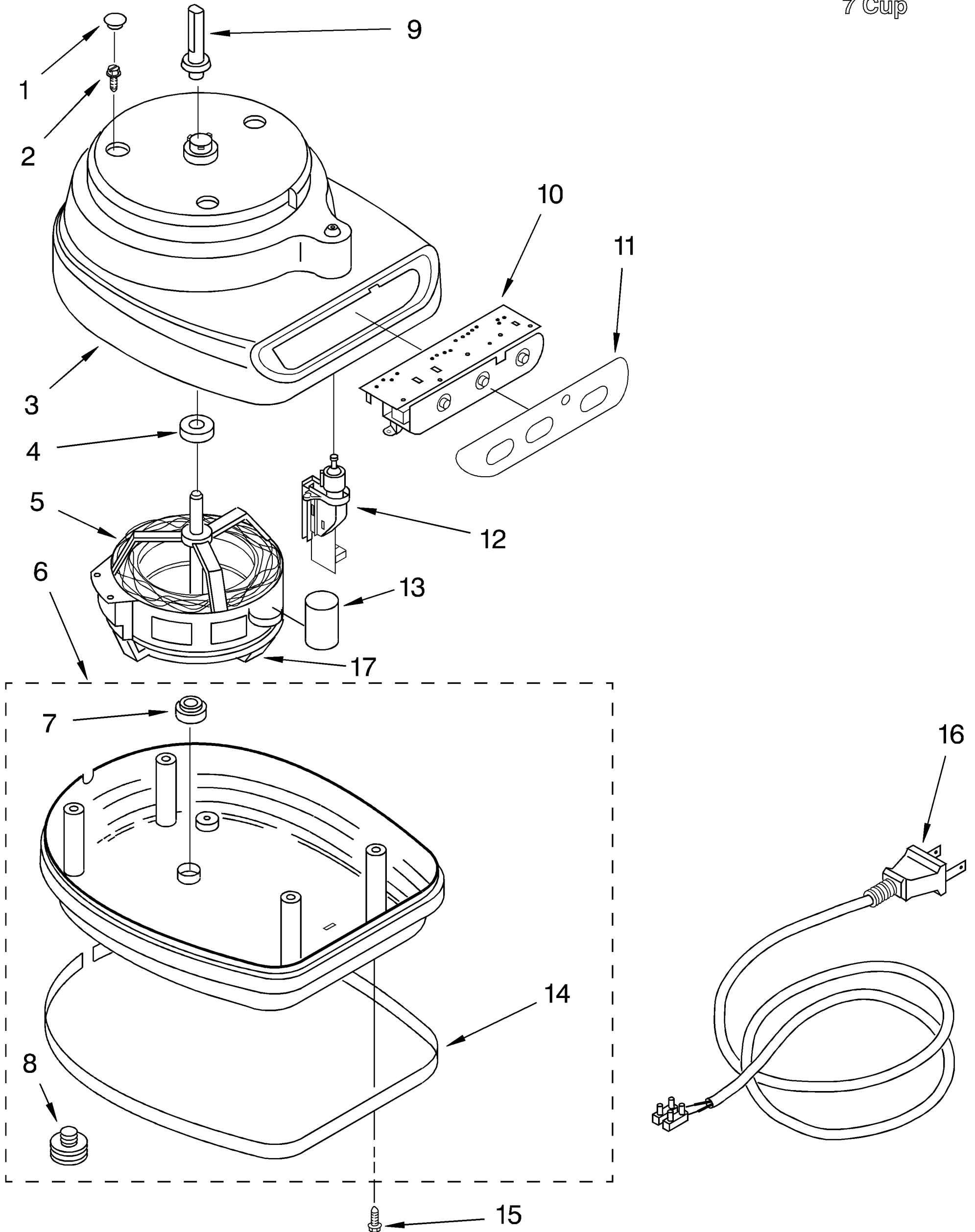


MOTOR AND HOUSING PARTS

KitchenAid®

For Model: KFP450WH

FOOD PROCESSOR
7 Cup



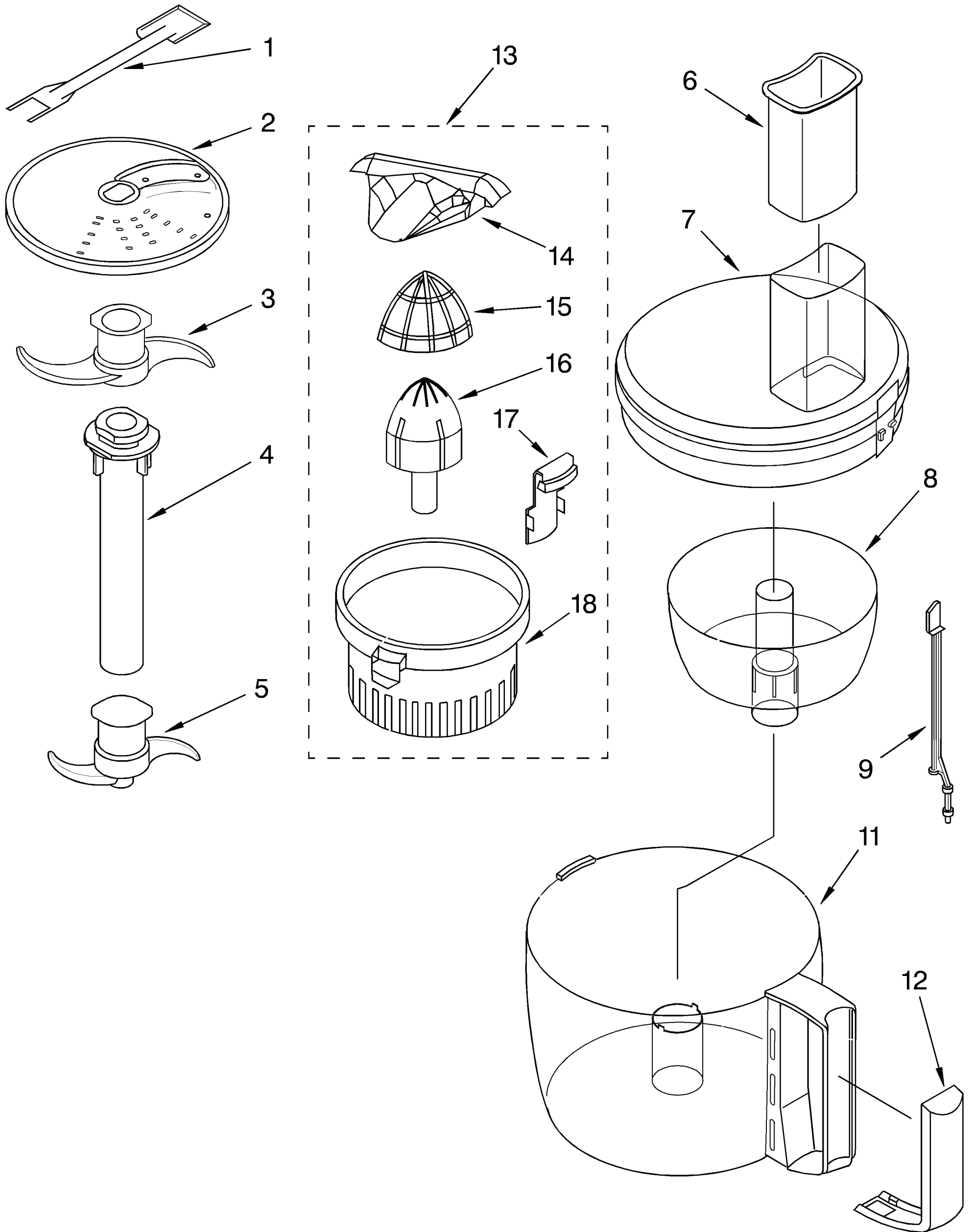
1	4176277	Protector, Screw
2	4176298	Screw, 6 X 12.7
3	4176377	Housing, Motor
4	4176380	Ring, Motor
5	4176462	Motor
6	4176463	Base W/Feet
7	4176300	Pad, Motor Vibration
8	4176464	Foot, Clear
9	4176461	Sleeve, Motor Shaft
10	4176389	Switch, On-Off Pulse Panel
11	4176465	Overlay, Front Panel
12	4176379	Microswitch Assembly
13	4176291	Capacitor
14	4176466	Trim Band
15	4176400	Screw
16	4176386	Power Cord
17	4176378	Motor Relay

LITERATURE PARTS

LIT9704007	Manual, Owners
LIT4176959	Repair Parts List

ATTACHMENT PARTS

For Model: KFP450WH



1	4176390	Spatula
2	4176391	Disc, Slicing 2mm & Grating 4mm
3	4176394	Mini Blade
4	4176467	Drive Stem
5	4176469	Blade, Stainless Steel
6	4176395	Pusher
7	4176468	Lid
8	4176397	Bowl, Mini
9	4176471	Safety Pin Assembly
11	4176470	Bowl, 7-Cup
12	4176473	Cover, Bowl Handle
13	4176472	Citrus Press Asm.
14	4176532	Arm, Juicer
15	4176533	Large Cone, Juicer
16	4176534	Small Cone, Juicer
17	4176535	Hinge, Juicer
18	4176536	Basket, Juicer