

PARTS LIST

for

KitchenAid®

7-CUP FOOD PROCESSOR

MODELS:

KFP710WH1 (White)
4KFP710WH1 (White)

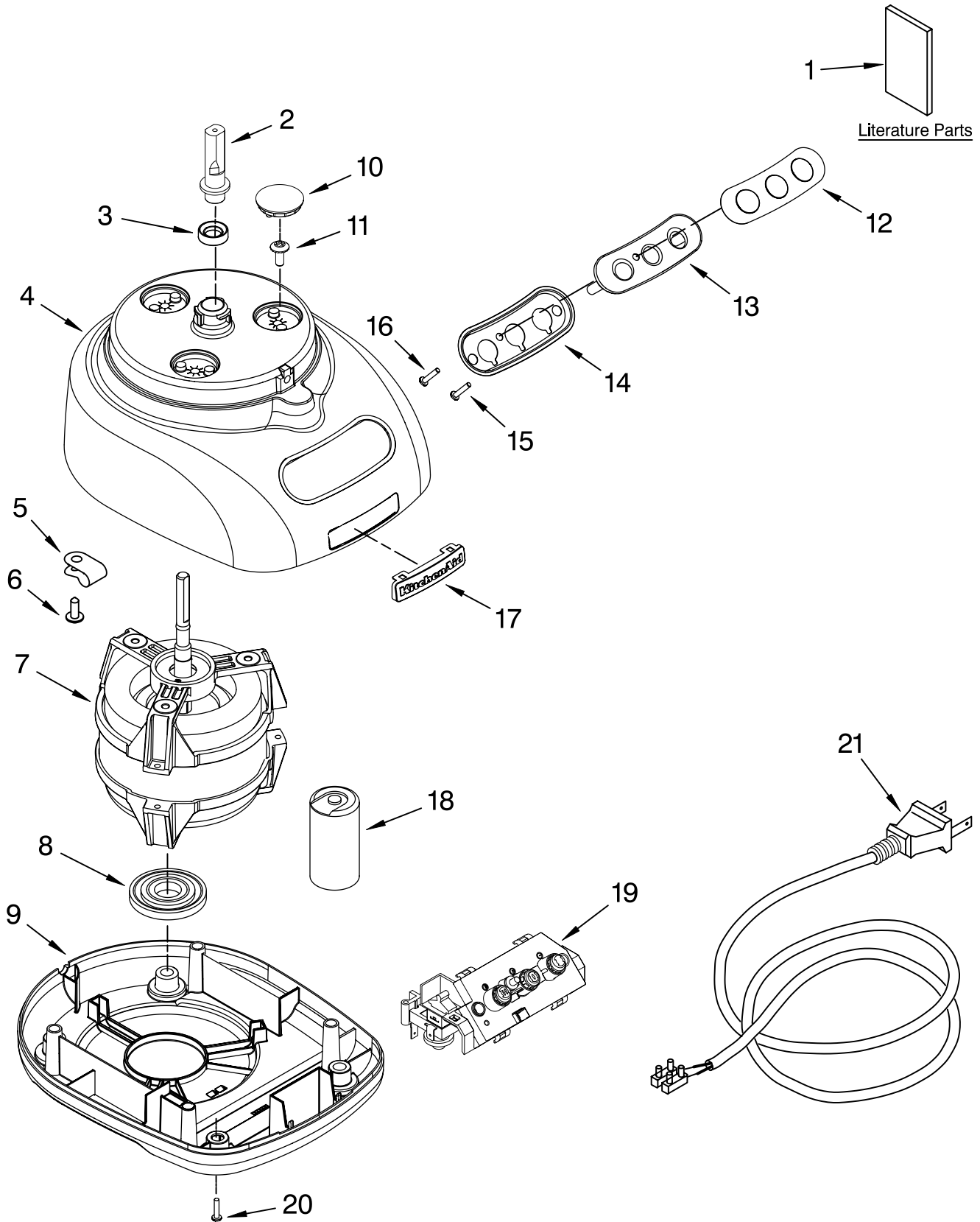


FOR CUSTOMER SATISFACTION ALWAYS USE
FACTORY SPECIFICATION PARTS



MOTOR AND HOUSING PARTS

For Models: KFP710__1, 4KFP710__1



FOR ORDERING INFORMATION REFER TO PARTS PRICE LIST

MOTOR AND HOUSING PARTS

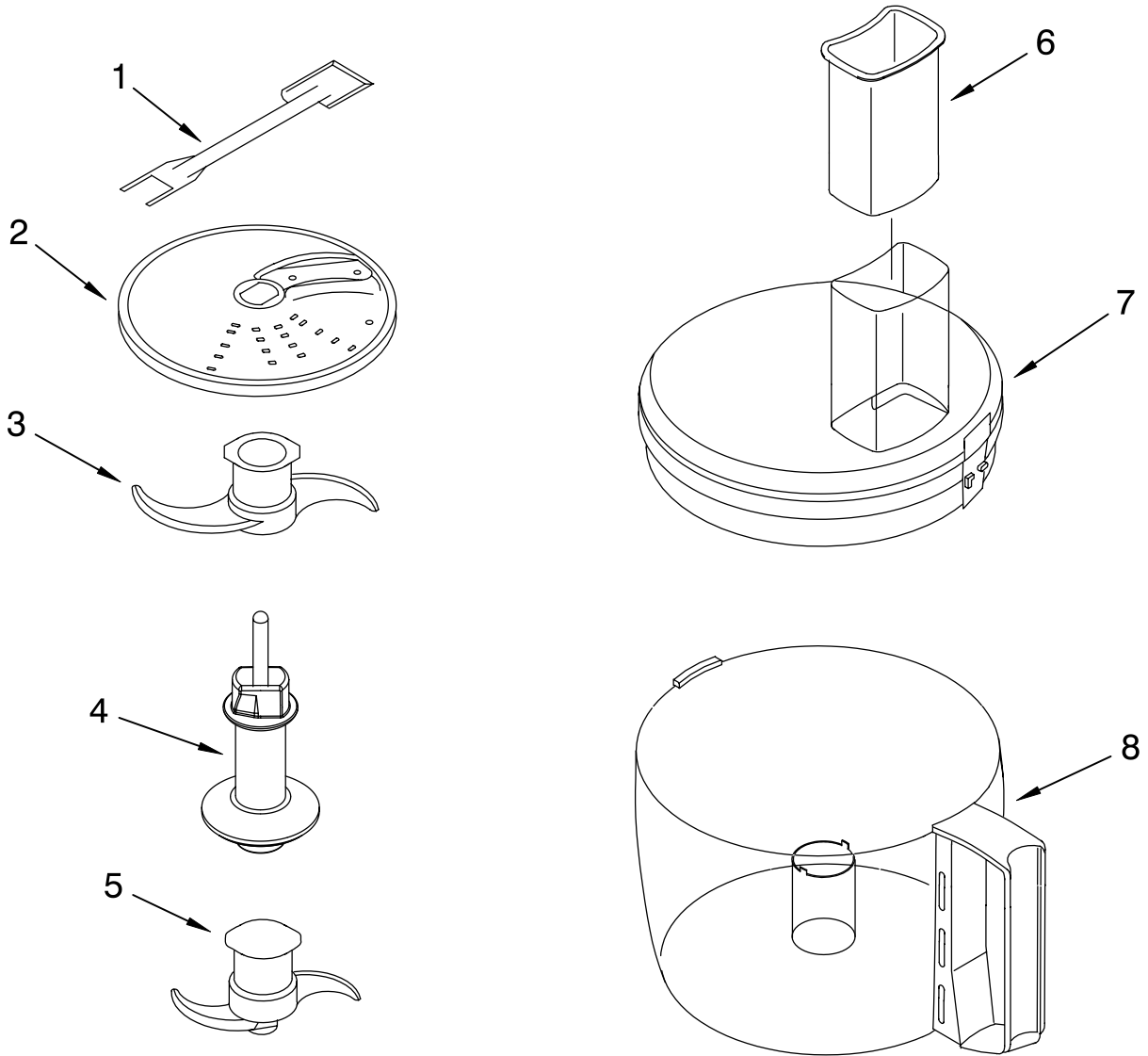
For Models: KFP710__1, 4KFP710__1

Illus. No.	Part No.	DESCRIPTION
1		Literature Parts
	8212299	Use & Care Guide Trilingual
	8212263	Repair Parts List
2	8211816	Sleeve, Motor Shaft
3	8211817	Seal, Oil
4		Housing, Motor
	8211806	White
5	8211610	Clamp, Cable
6	8211871	Screw, Clamp
7	8211813	Motor
8	8211814	Grommet, Motor
9		Base, Housing
	8211801	White
10		Cover, Screw
	8212298	White
11	8211811	Screw, Motor Locking
12	8211878	Cover, Switch
13	8211884	Bezel, Switch Panel
14	8211887	Seal, Switch Panel
15	8211870	Screw, Torx
16	8211812	Screw, Switch Panel
17	8211876	Nameplate
18	8211608	Capacitor
19	8211879	Relay & Switch Assembly
20	8211772	Foot
21		Cord, Power
	8211886	White

FOR ORDERING INFORMATION REFER TO PARTS PRICE LIST

ATTACHMENT PARTS

For Models: KFP710__1, 4KFP710__1



FOR ORDERING INFORMATION REFER TO PARTS PRICE LIST

ATTACHMENT PARTS

For Models: KFP710__1, 4KFP710__1

Illus.	Part	
No.	No.	DESCRIPTION
1	8211760	Spatula
2	8211897	Disc, Slicing 2mm & Grating 4mm
3	8211902	Blade, Mini
4	8211900	Adapter, Shaft & Disc
5	8211903	Blade, Multi
6	8211892	Pusher, Food
7	8211891	Cover, Work Bowl
8	8211906	Bowl, Work

FOR ORDERING INFORMATION REFER TO PARTS PRICE LIST