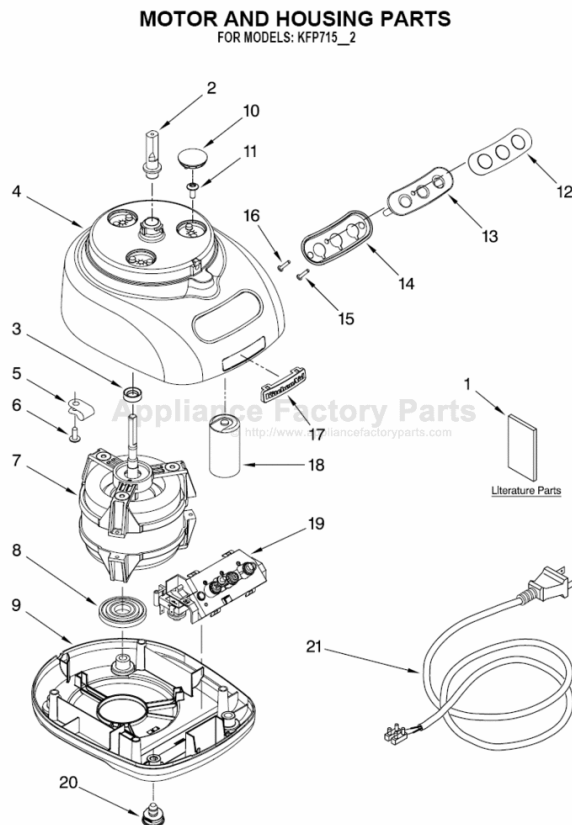


This Owner's Manual is provided and hosted by Appliance Factory Parts.



KITCHENAID KFP715ER2 Owner's Manual

[Shop genuine replacement parts for KITCHENAID
KFP715ER2](#)



[Find Your KITCHENAID Small Appliance Parts - Select From 538 Models](#)

----- Manual continues below -----

PARTS LIST

for

KitchenAid®

7-CUP FOOD PROCESSOR

MODELS

KFP715WH2 (White)
KFP715ER2 (Empire Red)
KFP715OB2 (Onyx Black)
KFP715BW2 (Blue Willow)



FOR CUSTOMER SATISFACTION ALWAYS USE
FACTORY SPECIFICATION PARTS

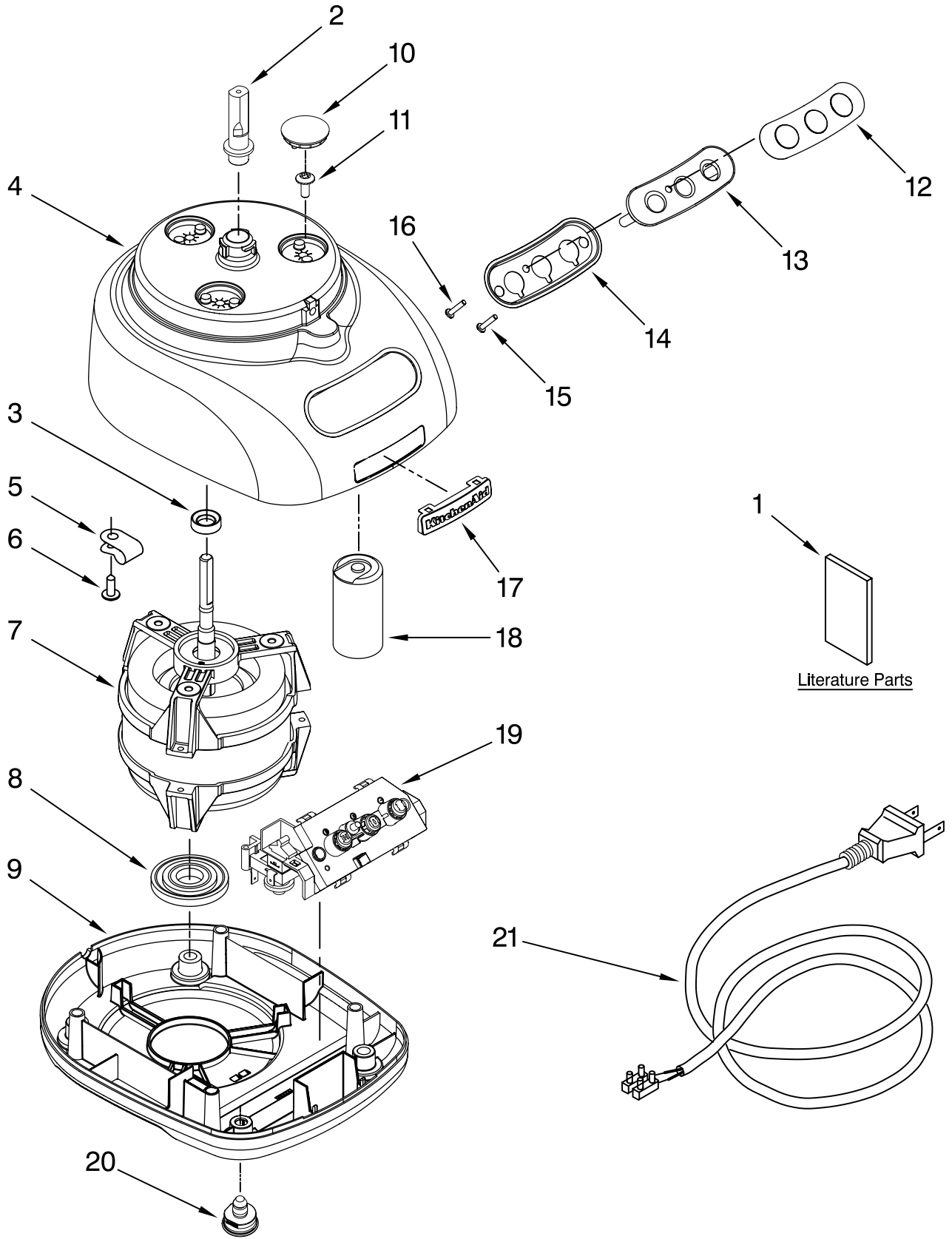


KITCHENAID

ST. JOSEPH MICHIGAN 49085

MOTOR AND HOUSING PARTS

FOR MODELS: KFP715_2



FOR ORDERING INFORMATION REFER TO PARTS PRICE LIST

MOTOR AND HOUSING PARTS

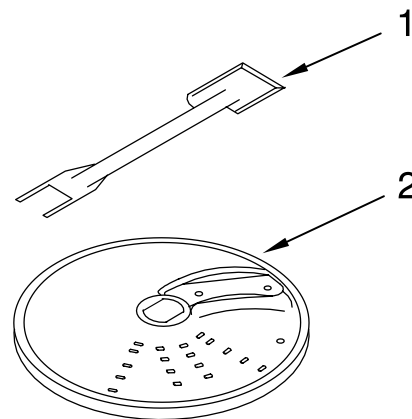
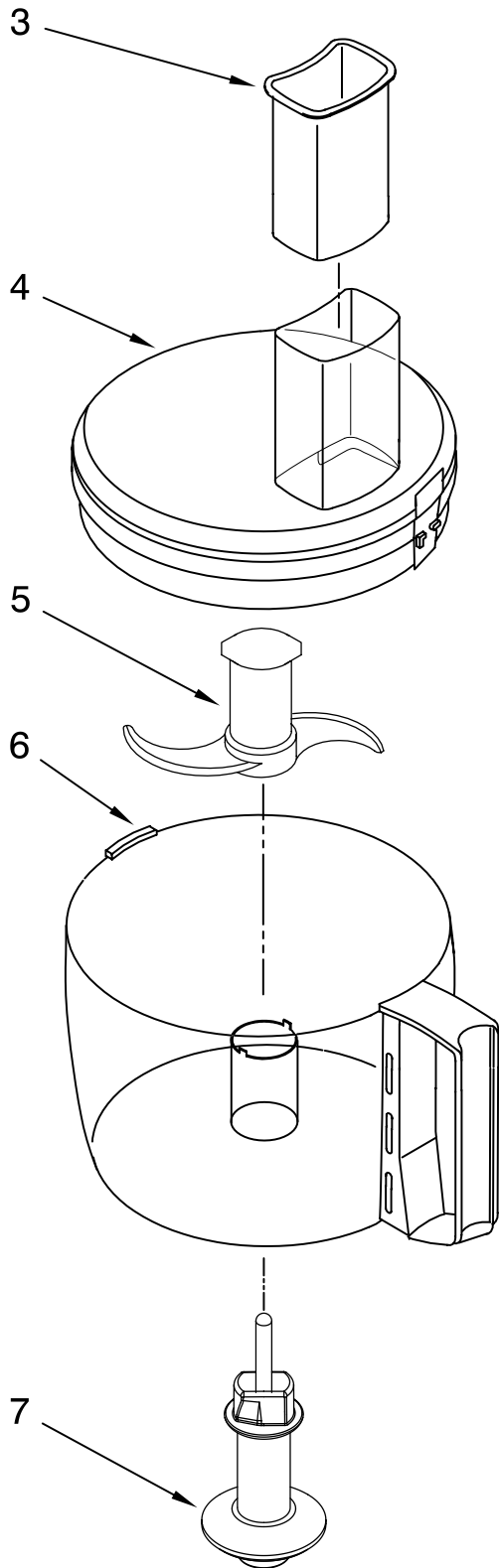
FOR MODELS: KFP715__2

Illus. No.	Part No.	DESCRIPTION
1	8212299	Literature Parts Use & Care Guide Trilingual
	W10139214	Repair Parts List
2	8211816	Sleeve, Motor Shaft
3	8211817	Seal, Oil
4		Housing, Motor
	8211805	White
	8211807	Empire Red
	8211809	Onyx Black
	8212297	Blue Willow
5	8211610	Clamp, Cable
6	8211871	Screw, Clamp
7	8212318	Motor
8	8212319	Grommet, Motor
9		Base, Housing
	8211801	White
	8211802	Empire Red
	8211804	Onyx Black
	8212296	Blue Willow
10		Cover, Screw
	8212298	White
	8212311	Empire Red
	8212313	Onyx Black
	8212310	Blue Willow
11	8211811	Screw, Motor Locking
12	8211878	Cover, Switch
13	8211884	Bezel, Switch Panel
14	8211887	Seal, Switch Panel
15	8211870	Screw, Torx
16	8211812	Screw, Switch Panel
17	8211876	Nameplate
18	8211608	Capacitor
19	8211879	Relay & Switch Assembly
20	8211772	Foot, Black
21		Cord, Power
	8211885	Black
	8211886	White

FOR ORDERING INFORMATION REFER TO PARTS PRICE LIST

ATTACHMENT PARTS

FOR MODELS: KFP715_2



Illus. No.	Part No.	DESCRIPTION
1	8211760	Spatula
2	8211897	Disc, Slicing 2mm & Grating 4mm
3		Pusher, Food
	8211892	White
	8211893	Empire Red
	8211894	Onyx Black
	8212315	Blue Willow
4	8211891	Cover, Work Bowl
5	8211903	Blade, Multi
6		Bowl, Work
	8211906	White
	8211907	Empire Red
	8211908	Onyx Black
	8212314	Blue Willow
7	8211900	Adapter, Shaft & Disc

FOR ORDERING INFORMATION REFER TO PARTS PRICE LIST