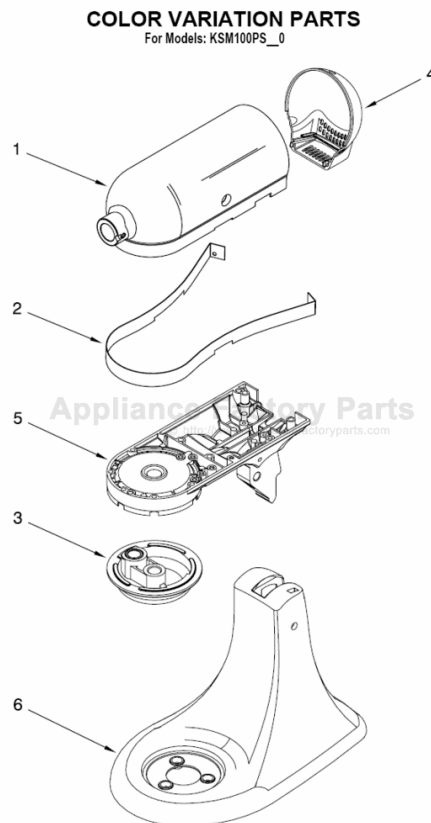


This Owner's Manual is provided and hosted by [Appliance Factory Parts](http://Appliance Factory Parts).



# KITCHENAID KSM100PSMC0 Owner's Manual

[Shop genuine replacement parts for KITCHENAID  
KSM100PSMC0](#)



[Find Your KITCHENAID Mixer Parts - Select From 532 Models](#)

----- Manual continues below -----

# PARTS LIST

for

# **KitchenAid®**

## **4 1/2 QT. STAND MIXER ULTRA POWER PLUS – TILT**

### **MODELS:**

**KSM100PSWW0 (White on White)  
KSM100PSWH0 (White)  
KSM100PSER0 (Empire Red)  
KSM100PSOB0 (Onyx Black)  
KSM100PSMC0 (Metallic Chrome)  
KSM100PSDP0 (Dark Pewter)**

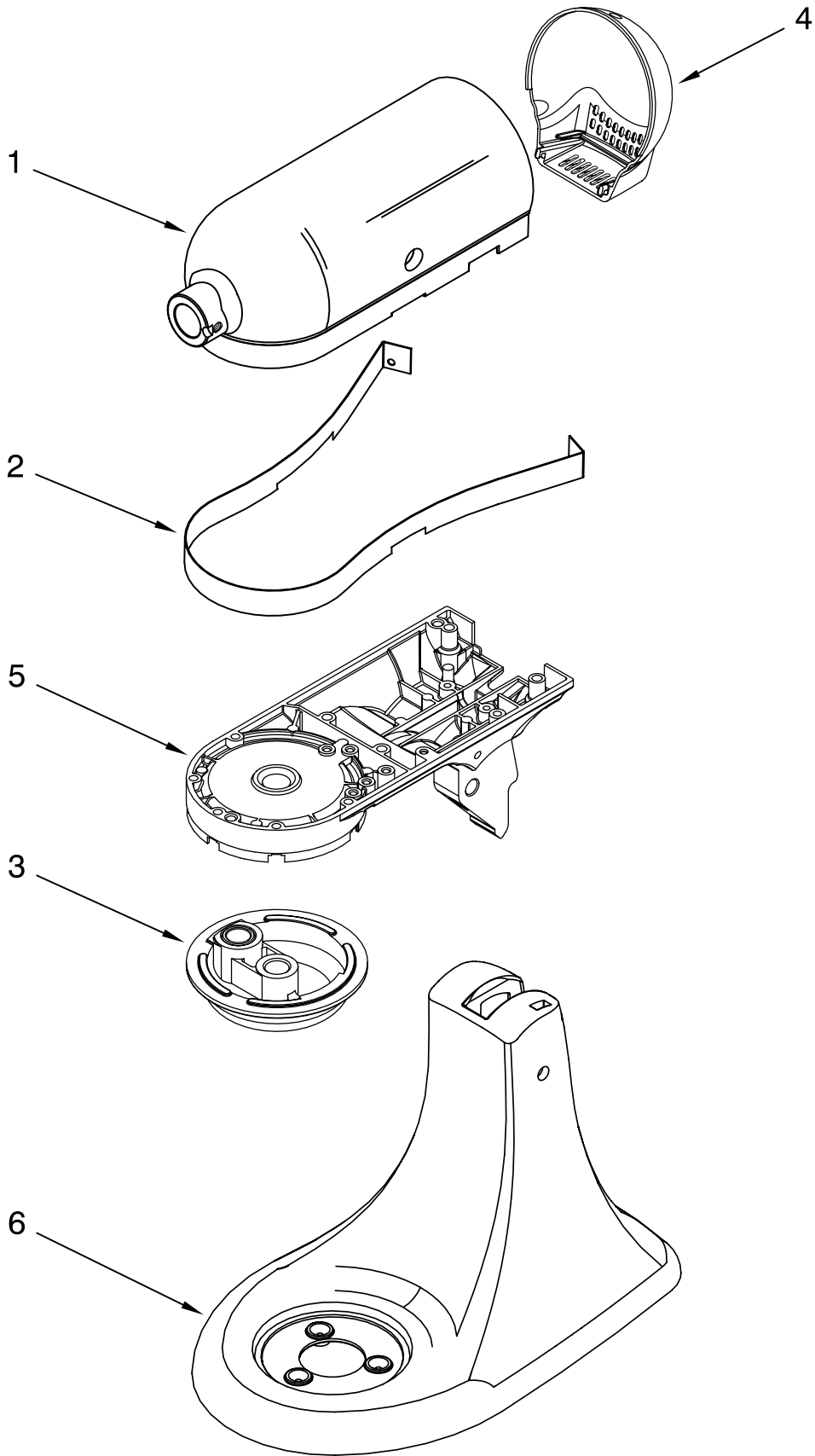


**FOR CUSTOMER SATISFACTION ALWAYS USE  
FACTORY SPECIFICATION PARTS**



# COLOR VARIATION PARTS

For Models: KSM100PS\_0



FOR ORDERING INFORMATION REFER TO PARTS PRICE LIST

# COLOR VARIATION PARTS

For Models: KSM100PS\_\_0

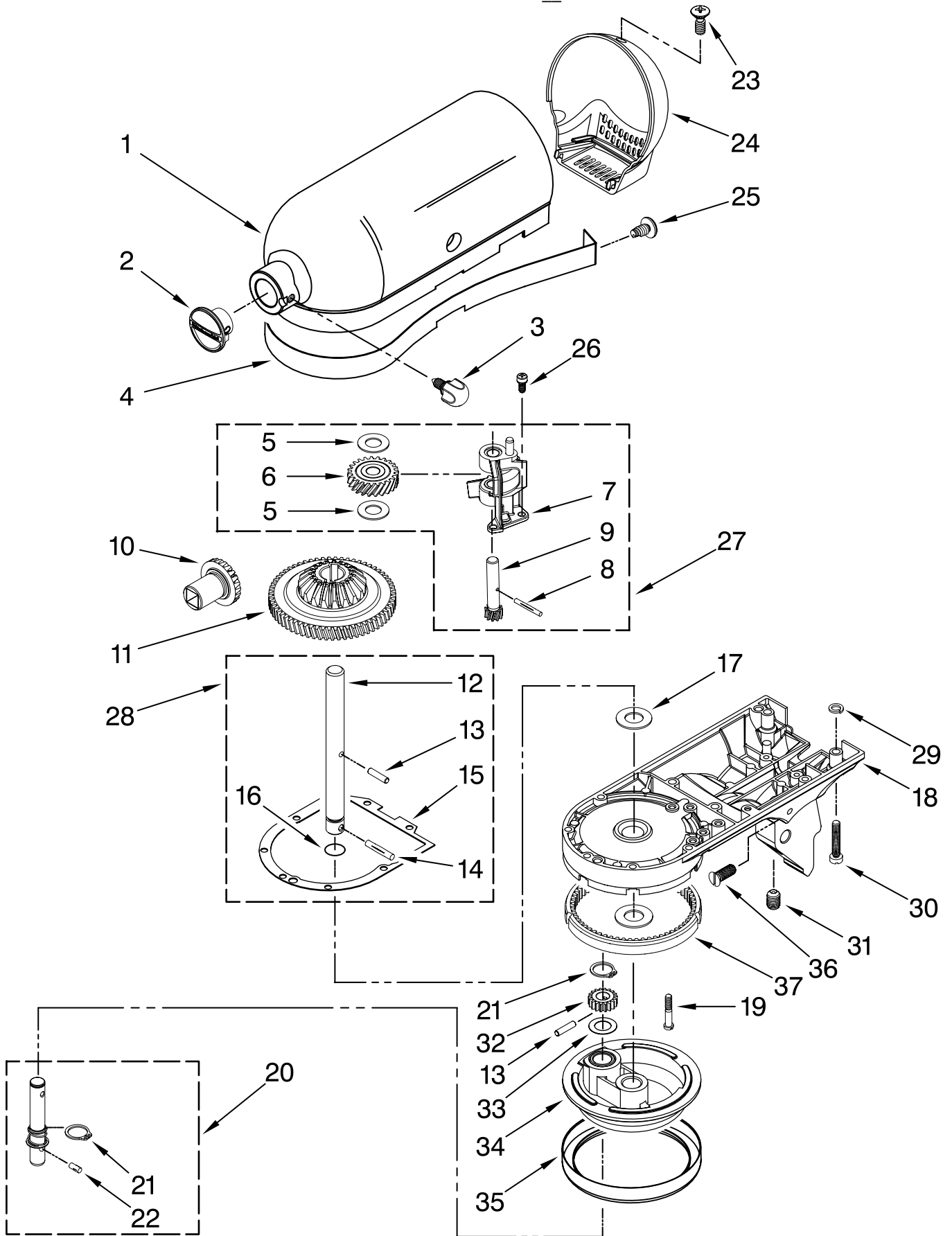
<b>Illus. No.</b>	<b>Part No.</b>	<b>DESCRIPTION</b>
1		Motor Housing
	240291-1	White
	240291-21	Empire Red
	240291-13	Onyx Black
	9704025	Metallic Chrome
2	W10334291	Dark Pewter
		Trim Band
	9709937	Grey
3	W10190230	Black
		Planetary
3	240286-1	White
	240286-23	Empire Red
	240286-16	Onyx Black
	9706670	Metallic Chrome
	W10334282	Dark Pewter
4		End Cover
	240253-1	White
4	240253-22	Empire Red
	240253-14	Onyx Black
	9704029	Metallic Chrome
	W10334280	Dark Pewter
		Lower Gearcase
5	240350-4	White
	240350-84	Empire Red
	240350-56	Onyx Black
	9706662	Metallic Chrome
	W10334294	Dark Pewter
6		Pedestal w/Feet
	3179260	White
6	9702304	Empire Red
	3179275	Onyx Black
	9706684	Metallic Chrome
	W10334297	Dark Pewter

Colors Subject To Change.  
Any Color Not Listed is  
No Longer Available.  
If Additional Colors Are Added,  
This Page Will Be Updated.

FOR ORDERING INFORMATION REFER TO PARTS PRICE LIST

# CASE, GEARING AND PLANETARY UNIT

For Models: KSM100PS\_0



FOR ORDERING INFORMATION REFER TO PARTS PRICE LIST

# CASE, GEARING AND PLANETARY UNIT

For Models: KSM100PS\_\_0

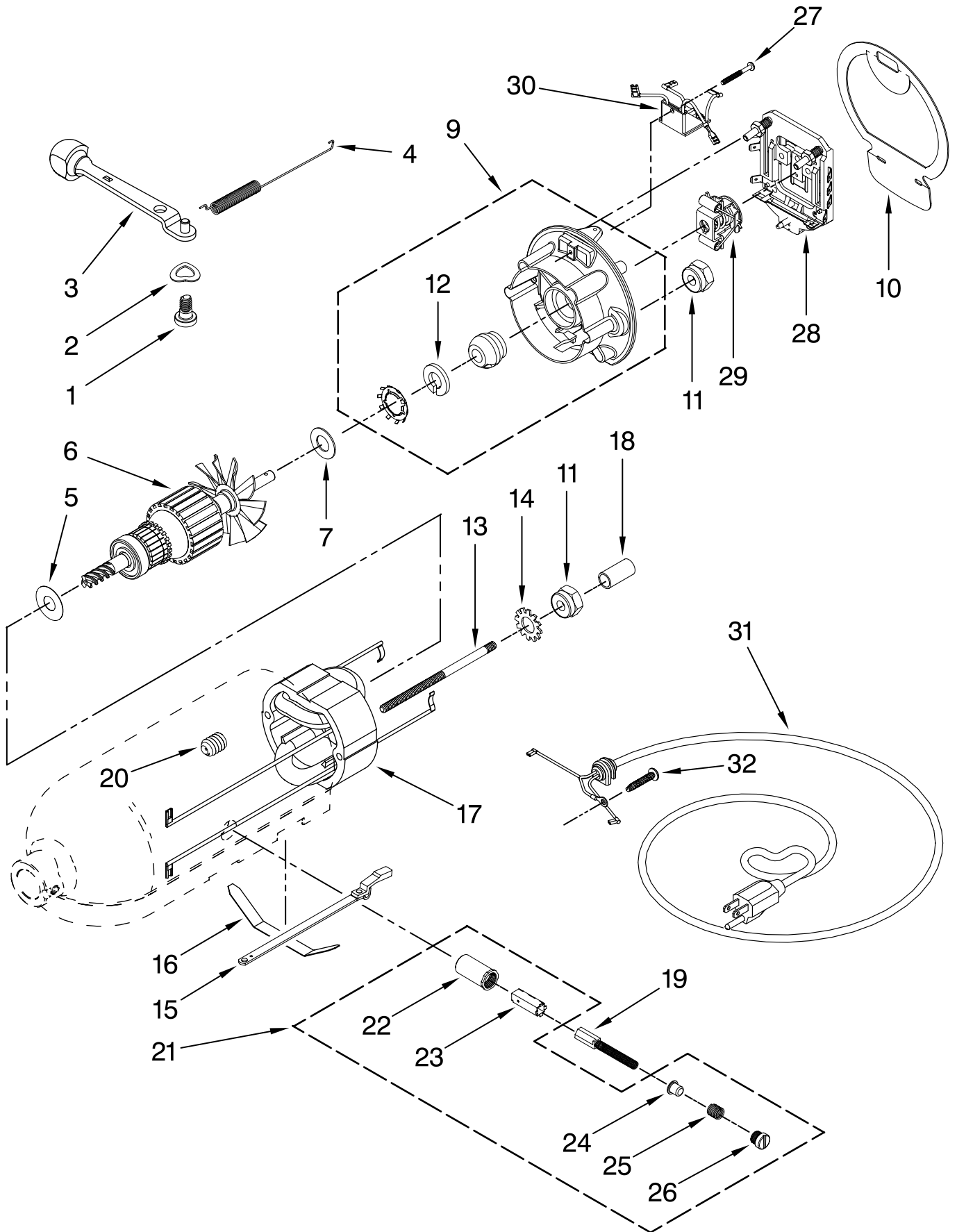
<b>Illus. No.</b>	<b>Part No.</b>	<b>DESCRIPTION</b>
1	**	Gearcase Motor Housing
2		Cap, Attachmnt Hub
	242765-2	Chrome
	242765-4	Painted
3		Thumb Screw
	9709194	Black
	9709196	Grey
4	**	Band, Trim
5	3180161	Washer
6	W10112253	Worm Gear
7	240308	Worm Gear Bracket And Bearing
8	9705444	Pin
9	240210-2	Shaft & Pinion
10	9705130	Gear, Attachment Hub Level
11	9709627	Bevel Pinion Center Gear
12	240026	Shaft, Vertical Center
13	240018-1	Pin (Vertical Center Shaft)
14	9705443	Pin, Groove
15	4162324	Gasket, Transmissn
16	67500-55	O-Ring
17	3180163	Washer
18	**	Lower Gear Case
19	103994	Screw
20	4176067	Shaft, Agitator
21	9703438	Ring, Retaining
22	9704677	Pin, Groove
23	4162914	Screw
24	**	Cover, End
25	311932	Screw
26	3400022	Screw
27	240309-2	Gear, Worm and Bracket
28	4160474	Center Shaft & O-Ring
29	8533914	Washer, Spring Lock
30	3400025	Screw
31	3400203	Screw, Set
32	9703903	Pinion, Gear Agitator Shaft
33	9706090	Washer
34	**	Planetary
35	240285	Ring, Planetary Drip
36	89411	Screw, Adjusting
37	9703904	Gear, Internal

\*\*Refer to Pages 2 & 3

FOR ORDERING INFORMATION REFER TO PARTS PRICE LIST

# MOTOR AND CONTROL PARTS

For Models: KSM100PS\_0



FOR ORDERING INFORMATION REFER TO PARTS PRICE LIST

# MOTOR AND CONTROL PARTS

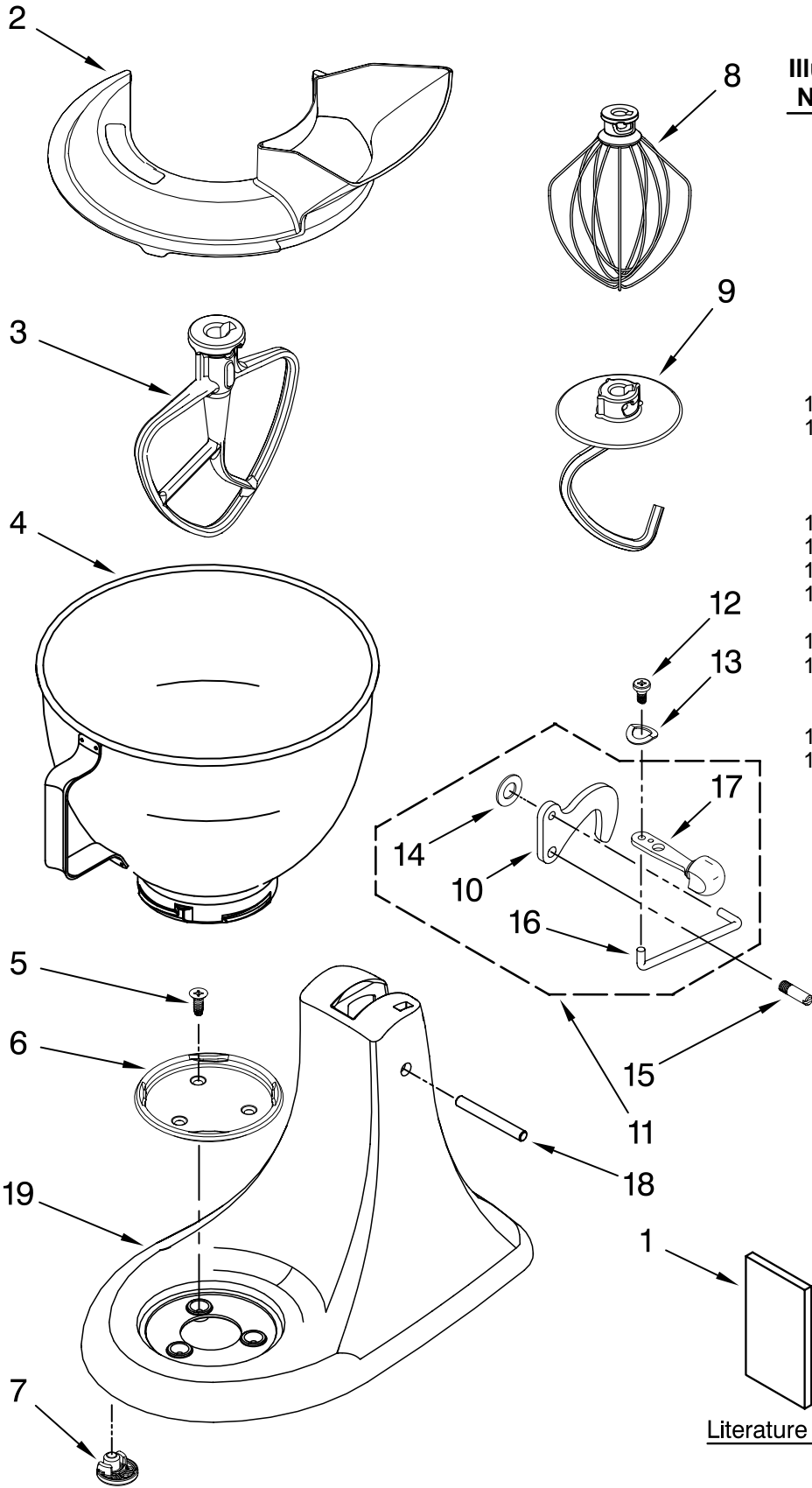
For Models: KSM100PS\_\_0

<b>Illus. No.</b>	<b>Part No.</b>	<b>DESCRIPTION</b>
1	110679	Screw, Pivot
2	116241	Washer, Spring
3		Lever, Speed Control Assy
	9709276	Black
	9709277	Storm Grey
4	3183680	Spring, Control Plate
5	9704324	Washer, Ball Bearing (Front)
6	9708315	Armature & Bearing
7	3180162	Washer Drive
9	3180526	Bracket, Bearing Assembly
10	240775-1	Seal, End
11	W10131078	Nut
12	3180238	Washer
13	240769	Screw
14	W10068270	Washer
15	3184176	Speed Link & Cam
16	240205	Spring, Flat
17	9702695	Field Assembly
18	4162634	Sleeve, Motor Stud
19	W10260958	Brush, Carbon
20	9707926	Screw, Set
21	4162546	Brush Holder
22	3179908	Housing, Brush Holder
23	240680	Insert, Brush Holder
24	116286	Cap, Spring Seat
25	116287	Spring, Cap
26		Cap, Brush Holder
	3184212	Black
	3184211	White
27	W10068260	Screw
28	W10119326	Plate, Control Asy
29	W10330804	Governor Assembly
30	9706595	Board, Phase Control
31		Cord, Power
	W10164882	White
	W10164883	Black
32	3184609	Screw, Self Tap

FOR ORDERING INFORMATION REFER TO PARTS PRICE LIST

# BASE AND PEDESTAL UNIT

For Models: KSM100PS\_0



Illus. No.	Part No.	DESCRIPTION
1		Literature Parts
	9709785	Use & Care, Trilin
	8212401	Repair Parts List
2	9709923	Shield, Pouring
3	9708470	Beater, Flat
4	242550-2	Bowl, 4 1/2 Qt.
5	3400020	Screw
6	W10191926	Screw Cap Kit
7	9709707	Foot, Base
8	9704329	Whip, Wire
9	9708471	Hook, Dough
10	9709055	Latch
11		Latch, Link & Lever
	24452	Black
	24452-2	Storm Grey
12	110679	Screw, Pivot
13	116241	Washer, Spring
14	8533912	Washer
15	103993	Screw, Latch Bearing
16	24450	Link, Latch
17		Lever, Latch
	9709280	Black
	9709281	Storm Grey
18	16910	Pin, Hinge
19	**	Pedestal

\*\*REFER TO PAGES 2 & 3

Literature Parts

FOR ORDERING INFORMATION REFER TO PARTS PRICE LIST

# ACCESSORY PARTS

For Models: KSM100PS\_\_0

Illus. No.	Part No.	DESCRIPTION
---------------	-------------	-------------

---

**FOLLOWING PARTS  
NOT ILLUSTRATED**

---

4164839	Speed Disc (Service Tool)
4160588	Grease, Planetary
4164778	Mixer Attachment Pak (Includes Food Grinder (FGA), Food Strainer (FVSP), And Vegetable Slicer, (RVSA) (FPPA)
4164749	Food Grinder (FGA)
W10318099	Grain Mill (KGM0)
4164768	Pasta Maker And Food Grinder (Includes SNP Pasta Maker Plates) (SNFGA)
4164775	Fruit/Vegetable Strainer Parts (Use With FGA Model Only) (FVSP)
4164750	Rotor Slicer/ Shredder(With 4 Standard Cones) Fine Shredder, Coarse Shredder, Thick Slicer,and Thin Slicer (RVSA)
9704568	Pouring Shield (KPS2CL)
4164824	Pasta Maker Plates (SNPA)
4164774	Fruit/Vegetable Strainer and Food Grinder (FVSFGA)
3180617	Cover, Decorative (Cotton Polyester)
4162838	Food Tray (FT)
4164748	Juicer (JE)
4164747	Can Opener (CO)
4164803	Sausage Stuffer Kit (SSA)
8212519	Ice Cream Maker (KICA0WH0)
9709314	Bowl Cover, Plastic, 2-PK
4163337	Bowl, Stainless With Handle
3180262	Bowl, 3 Qt.
4162160	Bowl, Satin Stainless

FOR ORDERING INFORMATION REFER TO PARTS PRICE LIST