

This Owner's Manual is provided and hosted by [Appliance Factory Parts](#).



# KITCHENAID KSM150PSCV0 Owner's Manual

[Shop genuine replacement parts for KITCHENAID  
KSM150PSCV0](#)

**KitchenAid®**

[Find Your KITCHENAID Mixer Parts - Select From 532 Models](#)

----- Manual continues below -----

# PARTS LIST

for

# KitchenAid®

## 5 QT. STAND MIXER

### ARTISAN TILT HEAD

#### MODELS:

KSM150PSWH0 (White)  
KSM150PSCLO (Crystal Blue)  
KSM150PSBU0 (Cobalt Blue)  
KSM150PSGP0 (Grape)  
KSM150PSGR0 (Imperial Grey)  
KSM150PSBK0 (Imperial Black)  
KSM150PSCB0 (Cranberry)  
KSM150PSOB0 (Onyx Black)  
KSM150PSGN0 (Empire Green)  
KSM150PSAC0 (Almond Creme)  
KSM150PSGB0 (Glacier Blue)  
KSM150PSIC0 (Ice)  
KSM150PSLV0 (Lavender)  
KSM150PSER0 (Empire Red)  
KSM150PSMY0 (Majestic Yellow)  
KSM150PSLM0 (Lemon)  
KSM150PSPK0 (Pink)  
KSM150PSPT0 (Pistachio)  
KSM150PSMG0 (Martha Green)  
KSM150PSCV0 (Caviar)  
KSM150PSSF0 (Sunflower)  
KSM150PSTG0 (Tangerine)  
KSM150PSMC0 (Metallic Chrome)

KSM150PSCH0 (Chocolate)  
KSM150PSVN0 (Vanilla)  
KSM150PSWB0 (Wasabi)  
KSM150PSVT0 (Violet)  
KSM150PSBW0 (Blue Willow)  
KSM150PSGC0 (Gloss Cinnamon)  
KSM150PSMA0 (Mango)  
KSM150PSML0 (Meyer Lemon)  
KSM150PSOR0 (Spicy Orange)  
KSM150PSPL0 (Dark Plum)  
KSM150PSRB0 (Reef Blue)  
KSM150PSSU0 (Surf Green)  
KSM150PSCY0 (Bing Cherry)  
KSM150PSMN0 (Melon)  
KSM150PSGA0 (Green Apple)  
KSM150PSCN0 (Citron)  
KSM150PSPN0 (Persimmon)  
KSM150PSCO0 (Cornflower Blue)  
KSM150PSCT0 (Clementine)  
KSM150PSWG0 (Williams Sonoma Green)  
KSM150PSBF0 (Buttercup)  
KSM150PSSM0 (Silver Metallic)

KSM150PSCPK0 (Pink)  
KSM150PSBL0 (Bayleaf)  
KSM150PSBY0 (Boysenberry)  
KSM150PSFB0 (French Blue)  
KSM150PSGG0 (Grass Green)  
KSM150PSSY0 (Sunshine Yellow)  
KSM150PSAQ0 (Aqua Sky)  
KSM150PSPE0 (Pear)  
4KSM150PSWH0 (White)  
4KSM150PSBU0 (Cobalt Blue)  
4KSM150PSGR0 (Imperial Grey)  
4KSM150PSOB0 (Onyx Black)  
4KSM150PSGN0 (Empire Green)  
4KSM150PSAC0 (Almond Creme)  
4KSM150PSLV0 (Lavender)  
4KSM150PSER0 (Empire Red)  
4KSM150PSMY0 (Majestic Yellow)  
4KSM150PSPK0 (Pink)  
4KSM150PSPT0 (Pistachio)  
4KSM150PSTG0 (Tangerine)  
4KSM150PSMC0 (Metallic Chrome)  
4KSM150PSBW0 (Blue Willow)



FOR CUSTOMER SATISFACTION ALWAYS USE  
FACTORY SPECIFICATION PARTS



KITCHENAID

ST. JOSEPH MICHIGAN 49085

# COLOR VARIATION PARTS

For Models: KSM150PS\_\_0, 4KSM150PS\_\_0



FOR ORDERING INFORMATION REFER TO PARTS PRICE LIST

# COLOR VARIATIONS PARTS

For Models: KSM150PS\_\_0, 4KSM150PS\_\_0

| Illus. No. | Part No.  | DESCRIPTION     | Illus. No. | Part No.  | DESCRIPTION     | Illus. No. | Part No.  | DESCRIPTION     |
|------------|-----------|-----------------|------------|-----------|-----------------|------------|-----------|-----------------|
| 1          |           | Motor Housing   | 3          |           | End Cover       | 4          |           | Planetary       |
|            | 240291-1  | White           |            | 240253-1  | White           |            | 240286-1  | White           |
|            | 9707165   | Crystal Blue    |            | 9707170   | Crystal Blue    |            | 9707168   | Crystal Blue    |
|            | 240291-7  | Cobalt Blue     |            | 240253-8  | Cobalt Blue     |            | 240286-10 | Cobalt Blue     |
|            | 9707126   | Grape           |            | 9707131   | Grape           |            | 9707129   | Grape           |
|            | 240291-22 | Imperial Gray   |            | 240253-23 | Imperial Gray   |            | 240286-24 | Imperial Gray   |
|            | 9704790   | Imperial Black  |            | 240253-13 | Black Crinkle   |            | 9704797   | Imperial Black  |
|            | 9706796   | Cranberry       |            | 9706801   | Cranberry       |            | 9706799   | Cranberry       |
|            | 240291-13 | Onyx Black      |            | 240253-14 | Onyx Black      |            | 240286-16 | Onyx Black      |
|            | 240291-10 | Empire Green    |            | 240253-11 | Empire Green    |            | 240286-13 | Empire Green    |
|            | 240291-16 | Almond Creme    |            | 240253-16 | Almond Creme    |            | 240286-18 | Almond Creme    |
|            | 9706678   | Glacier Blue    |            | 9706668   | Glacier Blue    |            | 9706695   | Glacier Blue    |
|            | 9707662   | Ice             |            | 9707667   | Ice             |            | 9707665   | Ice             |
|            | 9706823   | Lavender        |            | 9706828   | Lavender        |            | 9706826   | Lavender        |
|            | 240291-21 | Empire Red      |            | 240253-22 | Empire Red      |            | 240286-23 | Empire Red      |
|            | 240291-20 | Majestic Yellow |            | 240253-21 | Majestic Yellow |            | 240286-22 | Majestic Yellow |
|            | 9707152   | Lemon           |            | 9707157   | Lemon           |            | 9707155   | Lemon           |
|            | 9706473   | Pink            |            | 9706469   | Pink            |            | 9706475   | Pink            |
|            | 9706836   | Pistachio       |            | 9706841   | Pistachio       |            | 9706839   | Pistachio       |
|            | 9707433   | Martha Green    |            | 9707438   | Martha Green    |            | 9707436   | Martha Green    |
|            | 9705243   | Caviar          |            | 9705241   | Caviar          |            | 9705244   | Caviar          |
|            | 9707139   | Sunflower       |            | 9707144   | Sunflower       |            | 9707142   | Sunflower       |
|            | 9706849   | Tangerine       |            | 9706854   | Tangerine       |            | 9706852   | Tangerine       |
|            | 9704025   | Metallic Chrome |            | 240253-4  | Metallic Chrome |            | 9706670   | Metallic Chrome |
|            | 9708141   | Chocolate       |            | 9708146   | Chocolate       |            | 9708144   | Chocolate       |
|            | 9708221   | Vanilla         |            | 9708226   | Vanilla         |            | 9708224   | Vanilla         |
|            | 9707649   | Wasabi/Citron   |            | 9707654   | Wasabi/Citron   |            | 9707652   | Wasabi/Citron   |
|            | 9708299   | Violet          |            | 9708304   | Violet          |            | 9708302   | Violet          |
|            | 9709600   | Blue Willow     |            | 9709595   | Blue Willow     |            | 9709597   | Blue Willow     |
|            | 9709442   | Gloss Cinnamon  |            | 9709437   | Gloss Cinnamon  |            | 9709439   | Gloss Cinnamon  |
|            | 9709398   | Mango           |            | 9709393   | Mango           |            | 9709395   | Mango           |
|            | 9707139   | Meyer Lemon     |            | 9707144   | Meyer Lemon     |            | 9707142   | Meyer Lemon     |
|            | 9708877   | Spicy Orange    |            | 9708872   | Spicy Orange    |            | 9708874   | Spicy Orange    |
|            | 9709517   | Dark Plum       |            | 9709512   | Dark Plum       |            | 9709514   | Dark Plum       |
|            | 9709385   | Reef Blue       |            | 9709380   | Reef Blue       |            | 9709382   | Reef Blue       |
|            | 9709372   | Surf Green      |            | 9709367   | Surf Green      |            | 9709369   | Surf Green      |
|            | 9708286   | Melon           |            | 9708291   | Melon           |            | 9708289   | Melon           |
|            | 9709613   | Persimmon       |            | 9709608   | Persimmon       |            | 9709610   | Persimmon       |
|            | 9709664   | Bing Cherry     |            | 9709659   | Bing Cherry     |            | 9709661   | Bing Cherry     |
|            | 9709688   | Green Apple     |            | 9709683   | Green Apple     |            | 9709685   | Green Apple     |
|            | 9709746   | Cornflower Blue |            | 9709741   | Cornflower Blue |            | 9709743   | Cornflower Blue |
|            | 9709734   | Clementine      |            | 9709729   | Clementine      |            | 9709731   | Clementine      |
|            | 9709891   | WS Green        |            | 9709886   | WS Green        |            | 9709888   | WS Green        |
|            | 9709903   | Buttercup       |            | 9709898   | Buttercup       |            | 9709900   | Buttercup       |
|            | W10121193 | Silver Metallic |            | W10121188 | Silver Metallic |            | W10121190 | Silver Metallic |
|            | W10140788 | Bayleaf         |            | W10140783 | Bayleaf         |            | W10140785 | Bayleaf         |
|            | W10140801 | Boysenberry     |            | W10140796 | Boysenberry     |            | W10140798 | Boysenberry     |
|            | W10181821 | French Blue     |            | W10181816 | French Blue     |            | W10181818 | French Blue     |
|            | W10181807 | Grass Green     |            | W10181802 | Grass Green     |            | W10181804 | Grass Green     |
|            | W10181794 | Sunshine Yellow |            | W10181789 | Sunshine Yellow |            | W10181791 | Sunshine Yellow |
|            | W10193501 | Aqua Sky        |            | W10193496 | Aqua Sky        |            | W10193498 | Aqua Sky        |
|            | W10193514 | Pear            |            | W10193509 | Pear            |            | W10193511 | Pear            |
| 2          |           | Trim Band       |            |           |                 |            |           |                 |
|            | 9706630   | Black/Silver    |            |           |                 |            |           |                 |
|            | 9706632   | Almond Creme    |            |           |                 |            |           |                 |
|            | 9706659   | White On White  |            |           |                 |            |           |                 |

FOR ORDERING INFORMATION REFER TO PARTS PRICE LIST

# COLOR VARIATIONS PARTS

For Models: KSM150PS\_\_0, 4KSM150PS\_\_0

| Illus. No. | Part No.  | DESCRIPTION     | Illus. No. | Part No.  | DESCRIPTION     |
|------------|-----------|-----------------|------------|-----------|-----------------|
| 5          |           | Lower Gearcase  | 6          |           | Pedestal        |
|            | 240350-4  | White           |            | 240151-1  | White           |
|            | 9707162   | Crystal Blue    |            | 9707160   | Crystal Blue    |
|            | 240350-31 | Cobalt Blue     |            | 240151-8  | Cobalt Blue     |
|            | 9707123   | Grape           |            | 9707121   | Grape           |
|            | 240350-86 | Imperial Gray   |            | 240151-21 | Imperial Gray   |
|            | 9707103   | Imperial Black  |            | 9707101   | Imperial Black  |
|            | 9706792   | Cranberry       |            | 9706791   | Cranberry       |
|            | 240350-56 | Onyx Black      |            | 240151-13 | Onyx Black      |
|            | 240350-46 | Empire Green    |            | 240151-11 | Empire Green    |
|            | 240350-62 | Almond Creme    |            | 240151-15 | Almond Creme    |
|            | 9706690   | Glacier Blue    |            | 9706687   | Glacier Blue    |
|            | 9707659   | Ice             |            | 9707657   | Ice             |
|            | 9706819   | Lavender        |            | 9706818   | Lavender        |
|            | 240350-84 | Empire Red      |            | 240151-20 | Empire Red      |
|            | 240350-82 | Majestic Yellow |            | 240151-19 | Majestic Yellow |
|            | 9707149   | Lemon           |            | 9707147   | Lemon           |
|            | 9706471   | Pink            |            | 9706467   | Pink            |
|            | 9706832   | Pistachio       |            | 9706831   | Pistachio       |
|            | 9707430   | Martha Green    |            | 9707428   | Martha Green    |
|            | 9706911   | Caviar          |            | 9705237   | Caviar          |
|            | 9707136   | Sunflower       |            | 9707134   | Sunflower       |
|            | 9706845   | Tangerine       |            | 9706844   | Tangerine       |
|            | 9706662   | Metallic Chrome |            | 9706682   | Metallic Chrome |
|            | 9708138   | Chocolate       |            | 9708136   | Chocolate       |
|            | 9708218   | Vanilla         |            | 9708216   | Vanilla         |
|            | 9707646   | Wasabi/Citron   |            | 9707644   | Wasabi/Citron   |
|            | 9708296   | Violet          |            | 9708294   | Violet          |
|            | 9709603   | Blue Willow     |            | 9709605   | Blue Willow     |
|            | 9709445   | Gloss Cinnamon  |            | 9709447   | Gloss Cinnamon  |
|            | 9709401   | Mango           |            | 9709403   | Mango           |
|            | 9707136   | Meyer Lemon     |            | 9707134   | Meyer Lemon     |
|            | 9708880   | Spicy Orange    |            | 9708882   | Spicy Orange    |
|            | 9709520   | Dark Plum       |            | 9709522   | Dark Plum       |
|            | 9709388   | Reef Blue       |            | 9709390   | Reef Blue       |
|            | 9709375   | Surf Green      |            | 9709377   | Surf Green      |
|            | 9708283   | Melon           |            | 9708281   | Melon           |
|            | 9709616   | Persimmon       |            | 9709618   | Persimmon       |
|            | 9709667   | Bing Cherry     |            | 9709669   | Bing Cherry     |
|            | 9709691   | Green Apple     |            | 9709693   | Green Apple     |
|            | 9709749   | Cornflower Blue |            | 9709751   | Cornflower Blue |
|            | 9709737   | Clementine      |            | 9709739   | Clementine      |
|            | 9709894   | WS Green        |            | 9709896   | WS Green        |
|            | 9709906   | Buttercup       |            | 9709908   | Buttercup       |
|            | W10121196 | Silver Metallic |            | W10121198 | Silver Metallic |
|            | W10140791 | Bayleaf         |            | W10140793 | Bayleaf         |
|            | W10140804 | Boysenberry     |            | W10140806 | Boysenberry     |
|            | W10181824 | French Blue     |            | W10181826 | French Blue     |
|            | W10181810 | Grass Green     |            | W10181812 | Grass Green     |
|            | W10181797 | Sunshine Yellow |            | W10181799 | Sunshine Yellow |
|            | W10193504 | Aqua Sky        |            | W10193506 | Aqua Sky        |
|            | W10193517 | Pear            |            | W10193519 | Pear            |

Colors Subject To Change.  
 Any Color Not Listed is  
 No Longer Available.  
 If Additional Colors Are Added,  
 This Page Will Be Updated.

FOR ORDERING INFORMATION REFER TO PARTS PRICE LIST

# BASE AND PEDESTAL UNIT

For Models: KSM150PS\_\_0, 4KSM150PS\_\_0



| Illus. No. | Part No.  | DESCRIPTION          |
|------------|-----------|----------------------|
| 1          |           | Literature Parts     |
|            | 9709785   | Use & Care Guide     |
|            | 8212010   | Repair Parts List    |
| 2          | 9709923   | Shield, Pouring      |
| 3          |           | Beater, Flat         |
|            | 9708472   | White, Coated        |
| 4          | 9706619   | Bowl, 5 Qt.          |
| 5          | 3400020   | Screw                |
| 6          | W10191926 | Screw Cap Kit        |
| 7          | 9709707   | Foot, Base           |
| 8          | 9706446   | Whip, Wire           |
| 9          | 9708471   | Hook, Dough          |
| 10         | 9709055   | Latch                |
| 11         | 24452     | Latch, Link & Lever  |
| 12         | 110679    | Screw, Pivot         |
| 13         | 116241    | Washer, Spring       |
| 14         | 8533912   | Washer               |
| 15         | 103993    | Screw, Latch Bearing |
| 16         | 24450     | Link, Latch          |
| 17         |           | Lever, Latch         |
|            | 9709280   | Black                |
|            | 242928-2  | White (Storm Gray)   |
|            | 242928-3  | Buff                 |
| 18         | 16910     | Pin, Hinge           |
| 19         | **        | Pedestal             |

\*\*REFER TO PAGES 2 thru 4

Literature Parts

FOR ORDERING INFORMATION REFER TO PARTS PRICE LIST

# CASE, GEARING AND PLANETARY UNIT

For Models: KSM150PS\_\_0, 4KSM150PS\_\_0



FOR ORDERING INFORMATION REFER TO PARTS PRICE LIST

# CASE, GEARING AND PLANETARY UNIT

For Models: KSM150PS\_\_0, 4KSM150PS\_\_0

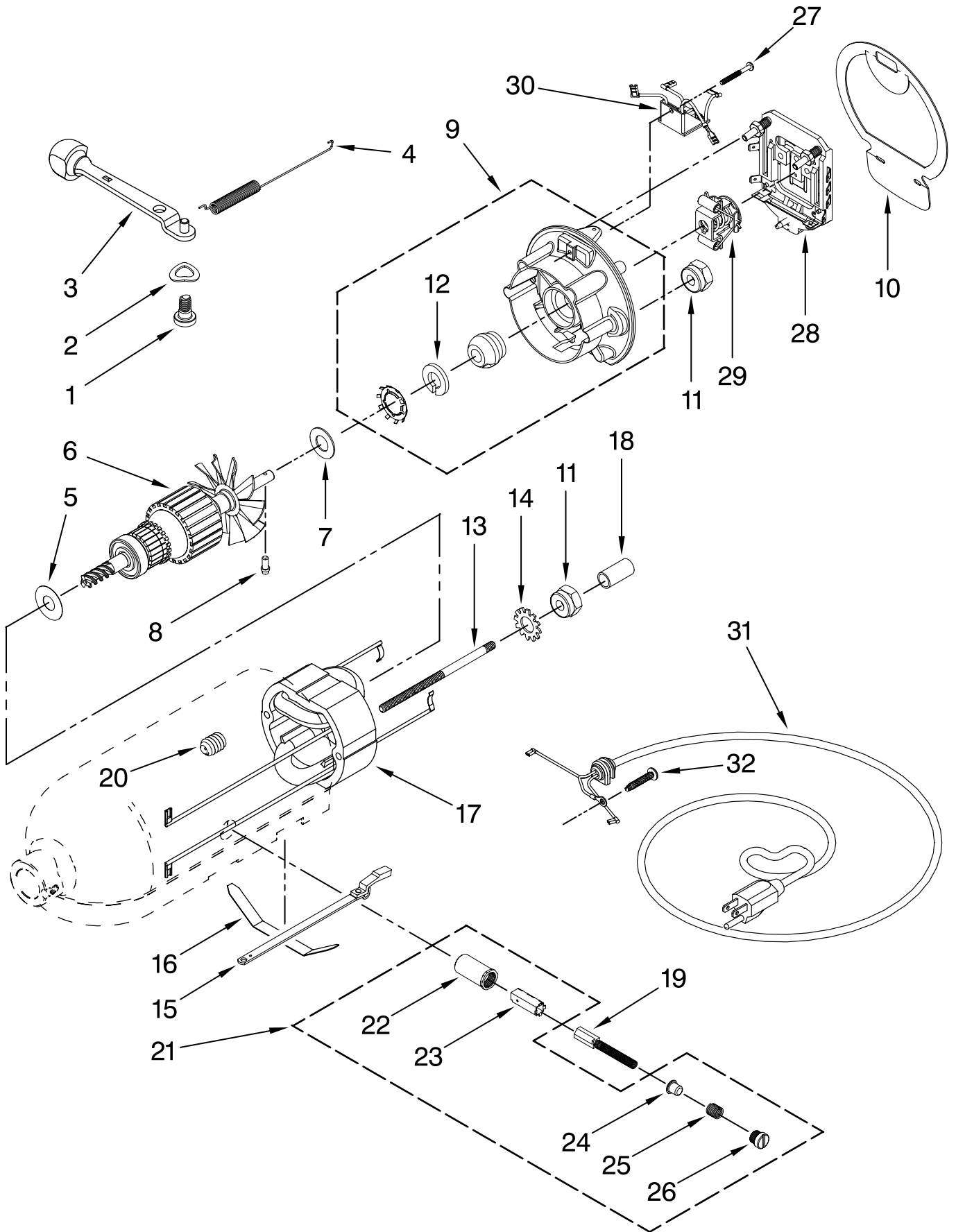
| <b>Illus. No.</b> | <b>Part No.</b> | <b>DESCRIPTION</b>            |
|-------------------|-----------------|-------------------------------|
| 1                 | **              | Gearcase Motor Housing        |
| 2                 |                 | Cap, Attachment Hub           |
|                   | 242765-2        | Chrome                        |
|                   | 242765-4        | White                         |
|                   | 242765-5        | Almond Creme                  |
| 3                 |                 | Thumb Screw                   |
|                   | 9709194         | Black                         |
|                   | 240374-2        | White (Storm Gray)            |
|                   | 240374-3        | Buff                          |
| 4                 | **              | Band, Trim                    |
| 5                 | 3180161         | Washer                        |
| 6                 | W10112253       | Worm Gear                     |
| 7                 | 240308          | Worm Gear Bracket And Bearing |
| 8                 | 9705444         | Pin                           |
| 9                 | 240210-2        | Shaft & Pinion                |
| 10                | 9705130         | Gear, Attachment Hub Level    |
| 11                | 9709627         | Bevel Pinion Center Gear      |
| 12                | 240026          | Shaft, Vertical Center        |
| 13                | 240018-1        | Pin (Vertical Center Shaft)   |
| 14                | 9705443         | Pin, Groove                   |
| 15                | 4162324         | Gasket, Transmissn            |
| 16                | 67500-55        | O-Ring                        |
| 17                | 3180163         | Washer                        |
| 18                | **              | Lower Gear Case               |
| 19                | 103994          | Screw                         |
| 20                | 4176067         | Agitator Shaft                |
| 21                | 9703438         | Ring                          |
| 22                | 9704677         | Pin, Groove                   |
| 23                | 4162914         | Screw                         |
| 24                | **              | Cover, End                    |
| 25                | 311932          | Screw                         |
| 26                | 3400022         | Screw                         |
| 27                | 240309-2        | Worm Gear Bracket and Gear    |
| 28                | 4160474         | Center Shaft & O-Ring         |
| 29                | 8533914         | Washer, Spring Lock           |
| 30                | 3400025         | Screw                         |
| 31                | 3400203         | Screw, Set                    |
| 32                | 9703903         | Pinion, Gear Agitator Shaft   |
| 33                | 9706090         | Washer                        |
| 34                | **              | Planetary                     |
| 35                | 240285          | Ring, Planetary Drip          |
| 36                | 89411           | Screw, Adjusting              |
| 37                | 9703904         | Gear, Internal                |

\*\*Refer to Pages 2 thru 4

FOR ORDERING INFORMATION REFER TO PARTS PRICE LIST

# MOTOR AND CONTROL PARTS

For Models: KSM150PS\_\_0, 4KSM150PS\_\_0



FOR ORDERING INFORMATION REFER TO PARTS PRICE LIST

# MOTOR AND CONTROL PARTS

For Models: KSM150PS\_\_0, 4KSM150PS\_\_0

| <b>Illus.<br/>No.</b> | <b>Part<br/>No.</b> | <b>DESCRIPTION</b>              |
|-----------------------|---------------------|---------------------------------|
| 1                     | 110679              | Screw, Pivot                    |
| 2                     | 116241              | Washer, Spring                  |
| 3                     |                     | Lever, Speed<br>Control Assy    |
|                       | 9709276             | Black                           |
|                       | 3184194             | White on White                  |
|                       | 3184195             | Almond Creme                    |
| 4                     | 3183680             | Spring, Control<br>Plate        |
| 5                     | 9704324             | Washer, Ball<br>Bearing (Front) |
| 6                     | 9708315             | Armature & Bearing              |
| 7                     | 3180162             | Washer                          |
| 8                     | 16998               | Stud, Governor<br>Drive         |
| 9                     | 3180526             | Bracket, Bearing<br>Assembly    |
| 10                    | 3184356             | Seal, End                       |
| 11                    | W10131078           | Nut                             |
| 12                    | 3180238             | Washer                          |
| 13                    | 240769              | Screw                           |
| 14                    | W10068270           | Washer                          |
| 15                    | 3184176             | Speed Link & Cam                |
| 16                    | 240205              | Spring, Flat                    |
| 17                    | 9702695             | Field Assembly                  |
| 18                    | 4162634             | Sleeve, Motor Stud              |
| 19                    | 9706416             | Brush, Carbon                   |
| 20                    | 9707926             | Screw, Set                      |
| 21                    | 4162546             | Brush Holder                    |
| 22                    | 3179908             | Housing, Brush<br>Holder        |
| 23                    | 240680              | Insert, Brush<br>Holder         |
| 24                    | 116286              | Cap, Spring Seat                |
| 25                    | 116287              | Spring, Cap                     |
| 26                    |                     | Cap, Brush Holder               |
|                       | 3184212             | Black                           |
|                       | 3184211             | White                           |
|                       | 3184213             | Almond Creme                    |
| 27                    | W10068260           | Screw                           |
| 28                    | W10119326           | Control Plate Assy              |
| 29                    | 17830               | Governor Assembly               |
| 30                    | 9706595             | Phase Control Brd               |
| 31                    |                     | Cord, Power                     |
|                       | W10164882           | White                           |
|                       | W10164883           | Black                           |
| 32                    | 3184609             | Screw, Self Tap                 |

FOR ORDERING INFORMATION REFER TO PARTS PRICE LIST

# ACCESSORY PARTS

For Models: KSM150PS\_\_0, 4KSM150PS\_\_0

| Illus. No.                                 | Part No. | DESCRIPTION   | Illus. No. | Part No. | DESCRIPTION  |
|--|----------|---|------------|----------|--|
| <b>FOLLOWING PARTS<br/>NOT ILLUSTRATED</b> |          |   |            |          |  |
|  | 4164839  | Speed Disc<br>(Service Tool)  |            | 4164750  | Rotor Slicer/<br>Shredder(With<br>4 Standard Cones)<br>Fine Shredder,<br>Coarse Shredder,<br>Thick Slicer,and<br>Thin Slicer<br>(RVSA) |
|  | 4160588  | Grease, Planetary   |            | 9704568  | Pouring Shield<br>(KPS2CL)   |
|  | 4164778  | Mixer Attachment<br>Pak (Includes Food<br>Grinder (FGA),<br>Food Strainer<br>(FVSP), And<br>Vegetable Slicer,<br>(RVSA)<br>(FPPA) |            | 4164824  | Pasta Maker Plates<br>(SNPA)   |
|  | 4164749  | Food Grinder<br>(FGA)   |            | 4164774  | Fruit/Vegetable<br>Strainer and Food<br>Grinder (FVSFGA)   |
|  | 8211924  | Grain Mill<br>(KGMA)  |            | 3180617  | Cover, Decorative<br>(Cotton Polyester)  |
|  | 4164768  | Pasta Maker And<br>Food Grinder<br>(Includes SNP<br>Pasta Maker<br>Plates)<br>(SNFGA)   |            | 4162838  | Food Tray (FT)   |
|  | 4164775  | Fruit/Vegetable<br>Strainer Parts<br>(Use With FGA<br>Model Only) (FVSP)  |            | 4164748  | Juicer (JE)  |
|  |          |   |            | 4164747  | Can Opener (CO)  |
|  |          |   |            | 4164803  | Sausage Stuffer<br>Kit (SSA)   |
|  |          |   |            | 8212519  | Ice Cream Maker<br>(KICA0WHO)  |
|  |          |   |            | 3177924  | Bowl Cover,<br>Plastic Non-<br>Sealing   |
|  |          |   |            | 4163337  | Bowl, Stainless<br>With Handle   |
|  |          |   |            | 3180262  | Bowl, 3 Qt.  |
|  |          |   |            | 4162160  | Bowl, Satin<br>Stainless   |

FOR ORDERING INFORMATION REFER TO PARTS PRICE LIST