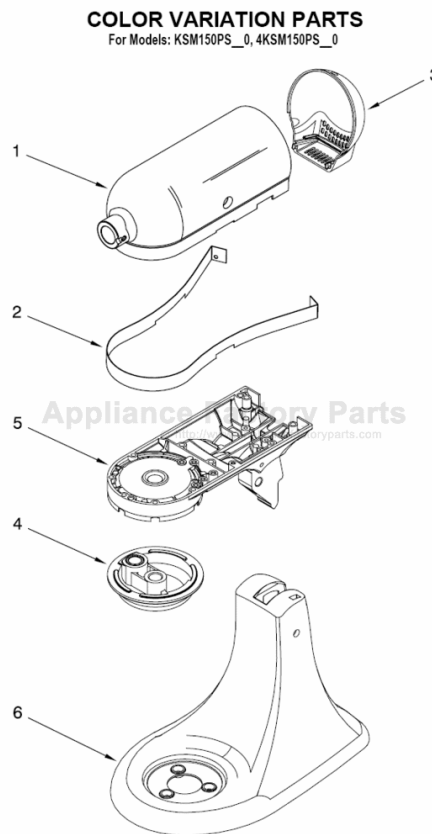


This Owner's Manual is provided and hosted by Appliance Factory Parts.



KITCHENAID KSM150PSSM0 Owner's Manual

[Shop genuine replacement parts for KITCHENAID
KSM150PSSM0](#)



[Find Your KITCHENAID Mixer Parts - Select From 532 Models](#)

----- Manual continues below part list -----

Available Replacement Parts for KITCHENAID KSM150PSSM0

W11312468	SHELD-POUR SA
WPW10674618	HOOK-DOUGH HW AFTERMARKET
WP240309-2	GEAR-WORM SA
WPW10112253	GEAR-WORM SA
WP9709194	SCREW SA
WP9704329	WHIP-WIRE HW AFTERMARKET
WPW10380496	BRUSH-MTR HW AFTERMARKET
240308	USE W11082541 BEARING SA
WP9707223	PIN-DOWEL SA
9704677	USE W11664709 PIN-GROOVE SA
WP116286	CAP-SPRING SA
WP116287	CAP-SPRING SA
WP240285	DRIP RING SA
WP240680	USE W11656718 INSERT SA
WP240775-1	SEAL SA
WP3179908	HOLDR-BRUS SA
WP4162324	GASKET SA
WP9709280	LEVER-LTCH SA
WP9709707	FOOT SA
WPW10119326	PLATE-CTRL SA
W11192794	GEAR-HUB SA

TABLE OF CONTENTS

Proof of Purchase and Product Registration	3
Stand Mixer Safety	4
Important Safeguards	4
Electrical Requirements	5
KitchenAid® Stand Mixer Warranty.....	6
Hassle-Free Replacement Warranty – 50 United States and District of Columbia	7
Hassle-Free Replacement Warranty – Canada.....	7
How to Arrange for Warranty Service in Puerto Rico	8
How to Arrange for Service after the Warranty Expires – All Locations	8
How to Arrange for Service Outside these Locations	8
How to Order Accessories and Replacement Parts	9
Troubleshooting Problems	9
Tilt-Head Stand Mixer Features	10
Assembling Your Tilt-Head Stand Mixer	11
Using Your Pouring Shield	12
Using Your KitchenAid® Accessories.....	13
Mixing Time	13
Tilt-Head Stand Mixer Use	14
Care and Cleaning	14
Beater to Bowl Clearance.....	14
Speed Control Guide	15
Mixing Tips	16
Egg Whites.....	17
Whipped Cream	17
Attachments and Accessories.....	18
General Instructions	19
Appetizers, Entrees, and Vegetables	60
Yeast Breads and Quick Breads.....	62
Cakes and Frostings	66
Pies and Desserts	76
Cookies, Bars, and Candies	85
Recipe Index	143

**PIL TO UPDATE RECIPE HEADINGS
AND PAGE NUMBERS**

TABLE DES MATIÈRES

Preuve d'achat et enregistrement du produit	20
Sécurité du batteur sur socle	21
Consignes de sécurité importantes.....	21
Spécifications électriques.....	22
Garantie du batteur sur socle KitchenAid®.....	23
Garantie de satisfaction totale et de remplacement - 50 États des États-Unis, district fédéral de Columbia.....	24
Garantie de satisfaction totale et de remplacement - Canada.....	24
Comment obtenir une réparation sous garantie à Puerto Rico	25
Comment obtenir une réparation hors garantie – tous les territoires	25
Comment obtenir une réparation en dehors de ces territoires.....	25
Comment commander des accessoires et des pièces de rechange.....	26
Dépannage.....	27
Caractéristiques du batteur sur socle à tête inclinable.....	28
Assemblage du batteur sur socle à tête inclinable.....	29
Utilisation de l'écran verseur	31
Utilisation des accessoires KitchenAid®	32
Durée de mélange	32
Utilisation du batteur sur socle à tête inclinable	33
Entretien et nettoyage.....	33
Jeu entre le batteur et le bol.....	34
Guide de réglage de la vitesse.....	35
Conseils de mélange	36
Blancs d'œufs	37
Crème fouettée.....	37
Accessoires.....	38
Directives Générales	39
Hors-d'œuvre, entrées et légumes	90
Pains à levure et pains éclair	92
Gâteaux et glaçages	96
Tartes et desserts	104
Biscuits, barres et bonbons.....	111
Index des recettes.....	143

**PIL TO UPDATE RECIPE HEADINGS
AND PAGE NUMBERS**

ÍNDICE

Comprobante de compra y registro del producto.....	40
Seguridad de la batidora con base.....	41
Medidas de seguridad importantes.....	41
Requisitos eléctricos.....	42
Garantía de la batidora con base KitchenAid®.....	43
Garantía de reemplazo sin dificultades en los 50 estados de los Estados Unidos y en el Distrito de Columbia.....	44
Garantía de reemplazo sin dificultades en Canadá.....	44
Cómo obtener el servicio de garantía en Puerto Rico.....	45
Cómo obtener el servicio de garantía una vez que ésta haya expirado – Todos los lugares.....	45
Cómo obtener el servicio técnico en otros lugares.....	45
Cómo realizar un pedido de accesorios y repuestos.....	46
Solución de problemas.....	47
Características de la batidora con base con cabeza reclinable.....	48
Cómo ensamblar su batidora con base con cabeza reclinable.....	49
Cómo utilizar su vertedor antisalpicaduras.....	51
Cómo utilizar sus accesorios KitchenAid®.....	52
Tiempo de mezclado.....	52
Uso de la batidora con base con cabeza reclinable.....	53
Cuidado y limpieza.....	53
Distancia entre el batidor y el bol.....	54
Guía para el control de la velocidad.....	55
Consejos útiles para mezclar.....	56
Claras de huevo.....	57
Crema batida.....	57
Accesorios.....	58
Instrucciones generales.....	59
Entremeses, platos de entrada y verduras.....	115
Panes con levadura y panes rápidos.....	117
Repostería y glaseados.....	121
Pasteles y postres.....	130
Galletas dulces, barras y caramelos.....	137
Índice de recetas.....	142

PROOF OF PURCHASE & PRODUCT REGISTRATION

Always keep a copy of the sales receipt showing the date of purchase of your stand mixer. Proof of purchase will assure you of in-warranty service.

Before you use your stand mixer, please fill out and mail your product registration card packed with the unit.

This card will enable us to contact you in the unlikely event of a product safety notification and assist us in complying with the provisions of the Consumer Product Safety Act. This card does not verify your warranty.

Please complete the following for your personal records:

Model Number _____

Serial Number _____

Date Purchased _____

Store Name and Location _____

STAND MIXER SAFETY

Your safety and the safety of others are very important.

We have provided many important safety messages in this manual and on your appliance. Always read and obey all safety messages.



This is the safety alert symbol.

This symbol alerts you to potential hazards that can kill or hurt you and others.

All safety messages will follow the safety alert symbol and either the word “DANGER” or “WARNING.” These words mean:



You can be killed or seriously injured if you don't immediately follow instructions.



You can be killed or seriously injured if you don't follow instructions.

All safety messages will tell you what the potential hazard is, tell you how to reduce the chance of injury, and tell you what can happen if the instructions are not followed.

IMPORTANT SAFEGUARDS

When using electrical appliances, basic safety precautions should always be followed including the following:

1. Read all instructions.
2. To avoid the risk of electrical shock, do not put stand mixer in water or other liquid.
3. Close supervision is necessary when any appliance is used by or near children.
4. Unplug stand mixer from outlet when not in use, before putting on or taking off parts and before cleaning.
5. Avoid contacting moving parts. Keep hands, hair, clothing, as well as spatulas and other utensils away from beater during operation to reduce the risk of injury to persons and/or damage to the stand mixer.
6. Do not operate stand mixer with a damaged cord or plug or after the stand mixer malfunctions, or is dropped or damaged in any manner. Return appliance to the nearest Authorized Service Center for examination, repair or electrical or mechanical adjustment. Call the KitchenAid Customer Satisfaction Center at 1-800-541-6390 (1-800-807-6777 in Canada) for more information.

7. The use of attachments not recommended or sold by KitchenAid may cause fire, electrical shock or injury.
8. Do not use the stand mixer outdoors.
9. Do not let the cord hang over edge of table or counter.
10. Remove Flat Beater, Wire Whip or Dough Hook from stand mixer before washing.

SAVE THESE INSTRUCTIONS

THIS PRODUCT IS DESIGNED FOR HOUSEHOLD USE ONLY

ELECTRICAL REQUIREMENTS

Volts: 120 V.A.C. Hertz: 60 Hz

The wattage rating for your stand mixer is printed on a tag under the mixer base. It is also listed on the trim band.

If the power cord is too short, have a qualified electrician or serviceman install an outlet near the appliance.

The maximum rating is based on the attachment that draws the greatest load (power). Other recommended attachments may draw significantly less power.

WARNING



Electrical Shock Hazard

**Plug into a grounded
3 prong outlet.**

**Do not remove
ground prong.**

Do not use an adapter.

**Do not use an
extension cord.**

**Failure to follow these
instructions can result
in death, fire, or
electrical shock.**

KITCHENAID® STAND MIXER WARRANTY

Length of Warranty:	KitchenAid Will Pay For:	KitchenAid Will Not Pay For:
<p>50 United States, the District of Columbia, Canada, and Puerto Rico: One-year limited warranty from date of purchase.</p>	<p>50 United States, the District of Columbia and Canada: Hassle-free replacement of your stand mixer. See the following page for details on how to arrange for replacement. OR In Puerto Rico: The replacement parts and repair labor costs to correct defects in materials and workmanship. Service must be provided by an Authorized KitchenAid Service Center. To arrange for service, follow the instructions in the "How To Arrange for Service" sections.</p>	<p>A. Repairs when stand mixer is used in other than normal single family home use. B. Damage resulting from accident, alteration, misuse or abuse or use with products not approved by KitchenAid. C. Replacement parts or repair labor costs for stand mixer when operated outside the country of purchase.</p>

DISCLAIMER OF IMPLIED WARRANTIES; LIMITATION OF REMEDIES

IMPLIED WARRANTIES, INCLUDING TO THE EXTENT APPLICABLE WARRANTIES OF MERCHANTABILITY OR FITNESS FOR A PARTICULAR PURPOSE, ARE EXCLUDED TO THE EXTENT LEGALLY PERMISSIBLE. ANY IMPLIED WARRANTIES THAT MAY BE IMPOSED BY LAW ARE LIMITED TO ONE YEAR, OR THE SHORTEST PERIOD ALLOWED BY LAW. SOME STATES AND PROVINCES DO NOT ALLOW LIMITATIONS OR EXCLUSIONS ON HOW LONG AN IMPLIED WARRANTY OF MERCHANTABILITY OR FITNESS LASTS, SO THE ABOVE LIMITATIONS OR EXCLUSIONS MAY NOT APPLY TO YOU.

IF THIS PRODUCT FAILS TO WORK AS WARRANTED, CUSTOMER'S SOLE AND EXCLUSIVE REMEDY SHALL BE REPAIR OR REPLACEMENT ACCORDING TO THE TERMS OF THIS LIMITED WARRANTY. KITCHENAID AND KITCHENAID CANADA DO NOT ASSUME ANY RESPONSIBILITY FOR INCIDENTAL OR CONSEQUENTIAL DAMAGES. This warranty gives you specific legal rights and you may also have other rights which vary from state to state or province to province.

HASSLE-FREE REPLACEMENT WARRANTY – 50 UNITED STATES AND DISTRICT OF COLUMBIA

We're so confident the quality of our products meets the exacting standards of KitchenAid that, if your stand mixer should fail within the first year of ownership, KitchenAid will arrange to deliver an identical or comparable replacement to your door free of charge and arrange to have your original stand mixer returned to us. Your replacement unit will also be covered by our one year limited warranty. Please follow these instructions to receive this quality service.

If your KitchenAid® stand mixer should fail within the first year of ownership, simply call our toll-free Customer Satisfaction Center at 1-800-541-6390 Monday through Friday, 8 a.m. to 8 p.m. (Eastern Time), or Saturday, 10 a.m. to 5 p.m. Give the consultant your complete shipping address. (No P.O. Box numbers, please.)

When you receive your replacement stand mixer, use the carton and packing materials to pack up your original stand mixer. In the carton, include your name and address on a sheet of paper along with a copy of the proof of purchase (register receipt, credit card slip, etc.).

HASSLE-FREE REPLACEMENT WARRANTY – CANADA

We're so confident the quality of our products meets the exacting standards of the KitchenAid brand that, if your stand mixer should fail within the first year of ownership, KitchenAid Canada will replace your stand mixer with an identical or comparable replacement. Your replacement unit will also be covered by our one year limited warranty. Please follow these instructions to receive this quality service.

If your KitchenAid® stand mixer should fail within the first year of ownership, take the stand mixer or ship collect to an Authorized KitchenAid Canada Service Centre. In the carton include your name and complete shipping address along with a copy of the proof of purchase (register receipt, credit card slip, etc.). Your replacement stand mixer will be returned prepaid and insured. If you are unable to obtain satisfactory service in this manner call our toll-free Customer eXperience Centre at 1-800-807-6777.

Or write to us at:
Customer eXperience Centre
KitchenAid Canada
1901 Minnesota Court
Mississauga, ON L5N 3A7

HOW TO ARRANGE FOR WARRANTY SERVICE IN PUERTO RICO

Your KitchenAid® stand mixer is covered by a one-year limited warranty from the date of purchase. KitchenAid will pay for replacement parts and labor costs to correct defects in materials and workmanship. Service must be provided by an Authorized KitchenAid Service Center.

Take the stand mixer or ship prepaid and insured to an Authorized KitchenAid Service Center. Your repaired stand mixer will be returned prepaid and insured. If you are unable to obtain satisfactory service in this manner, call toll-free 1-800-541-6390 to learn the location of a Service Center near you.

HOW TO ARRANGE FOR SERVICE AFTER THE WARRANTY EXPIRES – ALL LOCATIONS

Before calling for service, please review the Troubleshooting section.

For service information in the 50 United States, District of Columbia, and Puerto Rico, call toll-free 1-800-541-6390.

Or write to:
Customer Satisfaction Center
KitchenAid Portable Appliances
P.O. Box 218
St. Joseph, MI 49085-0218

Or contact an Authorized Service Center near you.

For service information in Canada, call toll-free 1-800-807-6777.

Or write to:
Customer eXperience Centre
KitchenAid Canada
1901 Minnesota Court
Mississauga, ON L5N 3A7

HOW TO ARRANGE FOR SERVICE OUTSIDE THESE LOCATIONS

Consult your local KitchenAid dealer or the store where you purchased the stand mixer for information on how to obtain service.

For service information in Mexico, call toll-free
01-800-024-17-17
(JV Distribuciones)

Or
01-800-902-31-00
(Industrias Birtman)

HOW TO ORDER ACCESSORIES AND REPLACEMENT PARTS

To order accessories or replacement parts for your stand mixer in the 50 United States, District of Columbia, and Puerto Rico,

call toll-free 1-800-541-6390
Monday through Friday,
8 a.m. to 8 p.m. (Eastern Time),
or Saturday, 10 a.m. to 5 p.m.

Or write to:
Customer Satisfaction Center
KitchenAid Portable Appliances
P.O. Box 218
St. Joseph, MI 49085-0218

To order accessories or replacement parts for your stand mixer in Canada,

call toll-free 1-800-807-6777.

Or write to:
Customer eXperience Centre
KitchenAid Canada
1901 Minnesota Court
Mississauga, ON L5N 3A7

To order accessories or replacement parts for your stand mixer in Mexico,

call toll-free
01-800-024-17-17
(JV Distribuciones)
Or
01-800-902-31-00
(Industrias Birtman)

TROUBLESHOOTING PROBLEMS

Please read the following before calling your service center.

1. The stand mixer may warm up during use. Under heavy loads with extended mixing time periods, you may not be able to comfortably touch the top of the stand mixer. This is normal.
2. The stand mixer may emit a pungent odor, especially when new. This is common with electric motors.
3. If the Flat Beater hits the bowl, stop the stand mixer. See "Beater to Bowl Clearance" section.

Keep a copy of the sales receipt showing the date of purchase. Proof of purchase will assure you of in-warranty service.

If your stand mixer should malfunction or fail to operate, please check the following:

- Is the stand mixer plugged in?
- Is the fuse in the circuit to the stand mixer in working order? If you have a circuit breaker box, be sure the circuit is closed.

- Turn the stand mixer off for 10-15 seconds, then turn it back on. If the mixer still does not start, allow it to cool for 30 minutes before turning it back on.

If the problem cannot be fixed with the steps provided in this section, then contact KitchenAid or an Authorized Service Center:

USA/Puerto Rico: 1-800-541-6390

Canada: 1-800-807-6777

Mexico: 01-800-024-17-17

(JV Distribuciones)

Or

01-800-902-31-00

(Industrias Birtman)

See the KitchenAid Warranty and Service section for additional details. Do not return the stand mixer to the retailer – they do not provide service.

TILT-HEAD STAND MIXER FEATURES



NOTE: This photo shows the Artisan® Series stand mixer. The features on your mixer model may differ slightly.

ASSEMBLING YOUR TILT-HEAD STAND MIXER

⚠ WARNING



Electrical Shock Hazard

Plug into a grounded 3 prong outlet.

Do not remove ground prong.

Do not use an adapter.

Do not use an extension cord.

Failure to follow these instructions can result in death, fire, or electrical shock.



To Attach Flat Beater, Wire Whip, or Dough Hook

1. Turn speed control to OFF.
2. Unplug stand mixer or disconnect power.
3. Tilt motor head back.
4. Slip beater onto beater shaft and press upward as far as possible.
5. Turn beater to right, hooking beater over pin on shaft.
6. Plug into a grounded 3 prong outlet.

To Remove Flat Beater, Wire Whip or Dough Hook

1. Turn speed control to OFF.
2. Unplug stand mixer or disconnect power.
3. Tilt motor head back.
4. Press beater upward as far as possible and turn left.
5. Pull beater from beater shaft.



To Attach Bowl

1. Turn speed control to OFF.
2. Unplug stand mixer or disconnect power.
3. Tilt motor head back.
4. Place bowl on bowl clamping plate.
5. Turn bowl gently into clockwise direction.
6. Plug into a grounded 3 prong outlet.

To Remove Bowl

1. Turn speed control to OFF.
2. Unplug stand mixer or disconnect power.
3. Tilt motor head back.
4. Turn bowl counterclockwise.

Continued on next page

ASSEMBLING YOUR TILT-HEAD STAND MIXER

To Operate Speed Control

Speed control lever should always be set on lowest speed for starting, then gradually moved to desired higher speed to avoid splashing ingredients out of bowl. See the "Speed Control Guide" section.

To Lock Motor Head

1. Make sure motor head is completely down.
2. Place locking lever in LOCK position.
3. Before mixing, test lock by attempting to raise head.

To Unlock Motor Head

1. Place lever in UNLOCK position.

NOTE: Motor head should always be kept in LOCK position when using mixer.



USING YOUR POURING SHIELD*

To Attach Pouring Shield

1. Turn speed control to OFF.
2. Unplug stand mixer or disconnect power.
3. Attach Flat Beater, Dough Hook, or Wire Whip and bowl, see "Assembling Your Tilt-Head Stand Mixer" section.
4. From the front of the mixer, slide the Pouring Shield over the bowl until the shield is centered. The bottom rim of the shield should fit within the bowl.

To Remove Pouring Shield

1. Turn speed control to OFF.
2. Unplug stand mixer or disconnect power.
3. Lift the front of the Pouring Shield clear of the bowl rim and pull forward.
4. Remove attachment and bowl.



To Use Pouring Shield

1. For best results, rotate the shield so the motor head covers the "u" shaped gap in the shield. The pouring chute will be just to the right of the attachment hub as you face the mixer.
2. Pour the ingredients into the bowl through the pouring chute.

*If Pouring Shield is included.

USING YOUR KITCHENAID® ACCESSORIES



Flat Beater for normal to heavy mixtures:

cakes	biscuits
creamed frostings	quick breads
candies	meat loaf
cookies	mashed potatoes
pie pastry	



Wire Whip for mixtures that need air incorporated:

eggs	sponge cakes
egg whites	angel food cakes
heavy cream	mayonnaise
boiled frostings	some candies



Dough Hook for mixing and kneading yeast doughs:

breads	coffee cakes
rolls	buns

MIXING TIME

Your KitchenAid® stand mixer will mix faster and more thoroughly than most other electric stand mixers. Therefore, the mixing time in most traditional and non-packaged recipes must be adjusted to avoid overbeating. With cakes, for example, beating time may be half as long as with other stand mixers.

TILT-HEAD STAND MIXER USE

⚠️ WARNING

Injury Hazard

Unplug mixer before touching beaters.

Failure to do so can result in broken bones, cuts or bruises.

NOTE: Do not scrape the bowl while the stand mixer is operating.

The bowl and beater are designed to provide thorough mixing without frequent scraping. Scraping the bowl once or twice during mixing is usually sufficient. Turn the stand mixer off before scraping.

The stand mixer may warm up during use. Under heavy load with extended mixing time, you may not be able to comfortably touch the top of the stand mixer. This is normal.

CARE AND CLEANING

Bowl, white Flat Beater and white Dough Hook may be washed in an automatic dishwasher. Or, clean them thoroughly in hot sudsy water and rinse completely before drying. Wire Whip, burnished Dough Hook and burnished Flat Beater should be hand washed and dried immediately. Do not wash the Wire Whip, burnished Dough Hook and burnished Flat Beater in a dishwasher. Do not store the beaters on the shaft.

NOTE: Always be sure to unplug the stand mixer before cleaning. Wipe the stand mixer with a soft, damp cloth. Do not use household or commercial cleaners. Do not immerse in water. Wipe off the beater shaft frequently, removing any residue that may accumulate.

BEATER TO BOWL CLEARANCE

Your stand mixer is adjusted at the factory so the Flat Beater just clears the bottom of the bowl. If, for any reason, the Flat Beater hits the bottom of the bowl or is too far away from the bowl, you can correct the clearance easily.

1. Turn speed control to OFF.
2. Unplug stand mixer or disconnect power.
3. Tilt motor head back.
4. Turn screw (A) SLIGHTLY counterclockwise (left) to raise the Flat Beater or clockwise (right) to lower the Flat Beater.
5. Make adjustment so that the Flat Beater just clears the surface of the bowl. If you over adjust the screw, you may not be able to lock the motor head when it is lowered.

NOTE: When properly adjusted, the Flat Beater will not strike the bottom or side of the bowl. If the Flat Beater or the Wire Whip is adjusted so that it strikes the bowl, the coating may wear off the beater, or the wires on the whip may wear.



SPEED CONTROL GUIDE

SPEED	USE FOR	DESCRIPTION
Stir	STIRRING	For slow stirring, combining, mashing, starting all mixing procedures. Use to add flour and dry ingredients to batter, add liquids to dry ingredients, and combine heavy mixtures. Use with Ice Cream Maker attachment.
2	SLOW MIXING	For slow mixing, mashing, faster stirring. Use to mix heavy batters and candies, start mashing potatoes or other vegetables, cut shortening into flour, mix thin or splashy batters, and mix and knead yeast dough. Use with Can Opener attachment.
4	MIXING, BEATING	For mixing semi-heavy batters, such as cookies. Use to combine sugar and shortening and to add sugar to egg whites for meringues. Medium speed for cake mixes. Use with: Food Grinder, Rotor Slicer/Shredder, and Fruit/Vegetable Strainer.
6	BEATING, CREAMING	For medium fast beating (creaming) or whipping. Use to finish mixing cake, doughnut, and other batters. High speed for cake mixes. Use with Citrus Juicer attachment.
8	FAST BEATING, WHIPPING	For whipping cream, egg whites, and boiled frostings.
10	FAST WHIPPING	For whipping small amounts of cream or egg whites. Use with Pasta Maker and Grain Mill attachments.

NOTE: Mixer may not maintain fast speeds under heavy load, such as when the Pasta Maker or Grain Mill attachments are used. This is normal.

NOTE: The Speed Control Lever can be set between the speeds listed in the above chart to obtain speeds 3, 5, 7, and 9 if a finer adjustment is required.

Use Speed 2 when preparing yeast dough. Using any other speed may damage the mixer.

MIXING TIPS

Converting Your Recipe for the Mixer

The mixing instructions for recipes in this book can guide you in converting your own favorite recipes for preparation with your KitchenAid® stand mixer. Look for recipes similar to yours and then adapt your recipes to use the procedures in the similar KitchenAid recipes.

For example, the “quick mix” method (sometimes referred to as the “dump” method) is ideal for simple cakes, such as the Quick Yellow Cake and Easy White Cake included in this book. This method calls for combining dry ingredients with most or all liquid ingredients in one step.

More elaborate cakes, such as tortes, should be prepared using the traditional cake mixing method. With this method, sugar and the shortening, butter, or margarine are thoroughly mixed (creamed) before other ingredients are added.

For all cakes, mixing times may change because your KitchenAid® stand mixer works more quickly than other mixers. In general, mixing a cake with the KitchenAid® stand mixer will take about half the time called for in most traditional and non-packaged cake recipes.

To help determine the ideal mixing time, observe the batter or dough and mix only until it has the desired appearance described in your recipe, such as “smooth and creamy.”

To select the best mixing speeds, see the “Speed Control Guide” section.

Adding Ingredients

Always add ingredients as close to side of bowl as possible, not directly into the moving beater. The Pouring Shield can be used to simplify adding ingredients.

NOTE: If ingredients in very bottom of bowl are not thoroughly mixed, then the beater is not far enough into the bowl. See “Beater to Bowl Clearance” section.

Cake Mixes

When preparing packaged cake mixes, use Speed 2 for low speed, Speed 4 for medium speed, and Speed 6 for high speed. For best results, mix for the time stated on the package directions.

Adding Nuts, Raisins, or Candied Fruits

Follow individual recipes for guidelines on including these ingredients. In general, solid materials should be folded in the last few seconds of mixing on Stir Speed. The batter should be thick enough to keep the fruit or nuts from sinking to the bottom of the pan during baking. Sticky fruits should be dusted with flour for better distribution in the batter.

Liquid Mixtures

Mixtures containing large amounts of liquid ingredients should be mixed at lower speeds to avoid splashing. Increase mixer speed only after the mixture has thickened.

EGG WHITES

Place room temperature egg whites in a clean, dry bowl. Attach bowl and Wire Whip. To avoid splashing, gradually turn to designated speed and whip to the desired stage. See chart below.

AMOUNT

1 egg whiteGRADUALLY to 10

2+ egg whitesGRADUALLY to 8

SPEED

Soft Peak

Tips of peaks fall over when Wire Whip is removed.

Whipping Stages

With your KitchenAid® stand mixer, egg whites whip quickly. So, watch closely to avoid overwhipping. This list tells you what to expect.

Almost Stiff

Sharp peaks form when Wire Whip is removed, but whites are actually soft.

Frothy

Large, uneven air bubbles.

Stiff But Not Dry

Sharp, stiff peaks form when Wire Whip is removed. Whites are uniform in color and glisten.

Begins to Hold Shape

Air bubbles are fine and compact; product is white.

Stiff and Dry

Sharp, stiff peaks form when Wire Whip is removed. Whites are speckled and dull in appearance.

WHIPPED CREAM

Pour cold whipping cream into a chilled bowl. Attach bowl and Wire Whip. To avoid splashing, gradually turn to designated speed and whip to the desired stage. See chart below.

AMOUNT

¼ - ¾ cupGRADUALLY to 10
(60 mL - 175 mL)

1+ cupGRADUALLY to 8
(235 mL +)

SPEED

Begins to Thicken

Cream is thick and custard-like.

Whipping Stages

Watch the cream closely during whipping. Because your KitchenAid® stand mixer whips so quickly, there are just a few seconds between whipping stages. Look for these characteristics:

Holds Its Shape

Cream forms soft peaks when Wire Whip is removed. Can be folded into other ingredients when making desserts and sauces.

Stiff

Cream stands in stiff, sharp peaks when Wire Whip is removed. Use for topping on cakes or desserts, or filling for cream puffs.

ATTACHMENTS AND ACCESSORIES

General Information

KitchenAid® attachments are designed to assure long life. The attachment power shaft and hub socket are of a square design, to eliminate any possibility of slipping during the transmission of power to the attachment. The hub and shaft housing are tapered to assure a snug fit, even after prolonged use and wear. KitchenAid® attachments require no extra power unit to operate them; the power unit is built in.

See the stand mixer Attachments Use and Care Guide for speed settings and operating times.



‡ Not part of mixer.

GENERAL INSTRUCTIONS

To Attach

1. Turn the speed control to OFF.
2. Unplug mixer or disconnect power.
3. Loosen the attachment knob by turning it counterclockwise, and remove the attachment hub cover or flip up hinged hub cover.
4. Insert the attachment shaft housing into the attachment hub, making certain the attachment power shaft fits into the square attachment hub socket. It may be necessary to rotate the attachment back and forth. When the attachment is in proper position, the pin on the attachment will fit into the notch on the hub rim.
5. Tighten the attachment knob by turning it clockwise until the attachment is completely secured to mixer.

To Remove

1. Turn the speed control to OFF.
2. Unplug mixer or disconnect power.
3. Loosen the attachment knob by turning it counterclockwise. Rotate the attachment slightly back and forth while pulling it out.
4. Replace the attachment hub cover. Tighten attachment knob by turning it clockwise.

WARNING



Electrical Shock Hazard

**Plug into a grounded
3 prong outlet.**

**Do not remove
ground prong.**

Do not use an adapter.

**Do not use an
extension cord.**

**Failure to follow these
instructions can result
in death, fire, or
electrical shock.**

6. Plug into a grounded
3 prong outlet.

PREUVE D'ACHAT ET ENREGISTREMENT DU PRODUIT

Veillez conserver une copie du coupon de caisse indiquant la date d'achat de votre batteur sur socle. La preuve d'achat vous assure du service d'après-vente sous garantie.

Avant d'utiliser votre batteur sur socle, veuillez remplir et poster la carte d'enregistrement du produit accompagnant l'appareil.

Grâce à cette carte, nous pourrons vous appeler dans l'éventualité improbable d'un avis de sécurité et nous conformer plus facilement aux dispositions de la loi sur la sécurité des produits de consommation. Cette carte ne confirme pas votre garantie.

Veillez remplir ce qui suit pour vos dossiers personnels :

Numéro de modèle _____

Numéro de série _____

Date d'achat _____

Nom du marchand et adresse _____

SÉCURITÉ DU BATTEUR SUR SOCLE

Votre sécurité et celle des autres est très importante.

Nous donnons de nombreux messages de sécurité importants dans ce manuel et sur votre appareil ménager. Assurez-vous de toujours lire tous les messages de sécurité et de vous y conformer.



Voici le symbole d'alerte de sécurité.

Ce symbole d'alerte de sécurité vous signale les dangers potentiels de décès et de blessures graves à vous et à d'autres.

Tous les messages de sécurité suivront le symbole d'alerte de sécurité et le mot "DANGER" ou "AVERTISSEMENT". Ces mots signifient :



Risque possible de décès ou de blessure grave si vous ne suivez pas immédiatement les instructions.



Risque possible de décès ou de blessure grave si vous ne suivez pas les instructions.

Tous les messages de sécurité vous diront quel est le danger potentiel et vous disent comment réduire le risque de blessure et ce qui peut se produire en cas de non-respect des instructions.

CONSIGNES DE SÉCURITÉ IMPORTANTES

Lors de l'utilisation d'appareils électriques, des précautions élémentaires de sécurité devraient toujours être observées, incluant les suivantes :

1. Lisez toutes les instructions.
2. Pour éviter tout risque d'électrocution, ne mettez pas le batteur sur socle dans l'eau ni dans tout autre liquide.
3. Il est indispensable d'exercer une surveillance étroite lors de l'emploi à proximité d'enfants de cet appareil ou de tout autre appareil électroménager.
4. Débranchez le batteur sur socle lorsque vous ne l'utilisez pas, avant d'y ajouter des pièces ou d'en enlever et avant de le nettoyer.
5. Évitez tout contact avec les pièces en mouvement. Tenez les mains, cheveux, vêtements ainsi que les spatules et autres ustensiles à l'écart du batteur lorsqu'il fonctionne afin de réduire le risque de blessures ou de détériorations du batteur.
6. N'utilisez pas le batteur sur socle si le cordon ou la fiche est endommagé(e), si l'appareil présente un défaut de fonctionnement, s'il est tombé ou s'il a été endommagé de quelque manière que ce soit. Retournez l'appareil au centre de réparation autorisé le plus proche pour le faire inspecter ou réparer, ou pour effectuer un réglage électrique ou mécanique. Pour de plus amples renseignements, téléphonez au Centre de satisfaction de la clientèle de KitchenAid, au numéro 1 800 541 6390 (1 800 807 6777 au Canada).

Suite à la page suivante

7. L'utilisation d'accessoires non recommandés ou non vendus par KitchenAid peut causer un incendie, une électrocution ou des blessures.
8. N'utilisez pas le batteur sur socle à l'extérieur.
9. Ne laissez pas le cordon prendre du bord de la table ou du comptoir.
10. Enlevez le batteur plat, le fouet en broche ou le crochet pétrisseur avant de laver le batteur sur socle.

CONSERVEZ CES INSTRUCTIONS

CE PRODUIT EST CONÇU POUR UN USAGE DOMESTIQUE SEULEMENT

SPÉCIFICATIONS ÉLECTRIQUES

Tension : 120 volts c.a.

Fréquence : 60 Hz

La puissance nominale du batteur sur socle est imprimée sur une étiquette se trouvant sous le socle. Elle apparaît également sur la bande de garnissage.

Si le cordon d'alimentation fourni est trop court, demandez à un électricien ou à un technicien compétent d'installer une prise de courant près de l'appareil.

La valeur nominale maximum est basée sur l'accessoire qui débite le plus de courant. D'autres accessoires recommandés peuvent tirer beaucoup moins de puissance.

AVERTISSEMENT



Risque de choc électrique

Brancher sur une prise à 3 alvéoles reliée à la terre.

Ne pas enlever la broche de liaison à la terre.

Ne pas utiliser un adaptateur.

Ne pas utiliser un câble de rallonge.

Le non-respect de ces instructions peut causer un décès, un incendie ou un choc électrique.

GARANTIE DU BATTEUR SUR SOCLE KITCHENAID®

Durée de la garantie :	KitchenAid prendra en charge :	KitchenAid ne prendra pas en charge :
<p>50 États des États-Unis, le district fédéral de Columbia, le Canada et Puerto Rico : Garantie limitée d'un an à compter de la date d'achat.</p>	<p>50 États des États-Unis, district fédéral de Columbia et Canada : Satisfaction totale et remplacement de votre batteur sur socle. Consultez la page suivante pour obtenir des détails sur la façon de remplacer le batteur sur socle. OU À Puerto Rico : Les coûts des pièces de rechange et de main-d'œuvre pour corriger les défauts de matériaux et de main-d'œuvre. Le service après-vente doit être assuré par un centre de réparation autorisé KitchenAid. Pour obtenir une réparation, suivez les directives dans les sections "Comment obtenir une réparation".</p>	<p>A. Les réparations découlant de l'utilisation du batteur sur socle dans un contexte autre qu'un foyer unifamilial normal.</p> <p>B. Les dommages attribuables aux causes suivantes : un accident, une modification, la mauvaise utilisation, un emploi abusif ou une utilisation non approuvée par KitchenAid.</p> <p>C. Les coûts des pièces de rechange ou de main-d'œuvre pour le batteur sur socle si ce dernier est utilisé à l'extérieur du pays d'achat.</p>

DÉSARMEUR DE GARANTIE TACITE, LIMITATION DES RECOURS

LES GARANTIES TACITES, Y COMPRIS DANS LA MESURE APPLICABLE LES GARANTIES DE QUALITÉ MARCHANDE OU D'APTITUDE À UN EMPLOI PARTICULIER, SONT EXCLUES DANS LA MESURE AUTORISÉE PAR LA LOI. TOUTE GARANTIE TACITE IMPOSÉE PAR LA LOI EST LIMITÉE À UN AN, OU LA DURÉE MINIMUM PERMISE PAR LA LOI. PUISQUE CERTAINES JURIDICTIONS NE PERMETTENT PAS L'EXCLUSION OU LA LIMITATION DE DURÉE DES GARANTIES IMPLICITES DE QUALITÉ MARCHANDE OU D'APTITUDE À UN EMPLOI PARTICULIER, LES LIMITATIONS CI-DESSUS PEUVENT DONC NE PAS S'APPLIQUER À VOUS.

SI CET APPAREIL NE FONCTIONNE PAS COMME GARANTI, LE SEUL ET EXCLUSIF RECOURS DES CLIENTS EST LA RÉPARATION OU LE REMPLACEMENT SELON LES DISPOSITIONS DE LA GARANTIE LIMITÉE. KITCHENAID ET KITCHENAID-CANADA N'ASSUMENT AUCUNE RESPONSABILITÉ EN CAS DE DOMMAGES ACCESSOIRES OU INDIRECTS. Cette garantie vous confère des droits spécifiques auxquels peuvent s'ajouter d'autres droits variant d'un État ou d'une province à l'autre.

GARANTIE DE SATISFACTION TOTALE ET DE REMPLACEMENT - 50 ÉTATS DES ÉTATS-UNIS, DISTRICT FÉDÉRAL DE COLUMBIA

Nous sommes tellement certains que la qualité de nos produits satisfait aux normes exigeantes de KitchenAid que, si le batteur sur socle cesse de fonctionner au cours de la première année, KitchenAid livrera gratuitement un appareil identique ou comparable à votre porte et s'occupera de récupérer le batteur sur socle original. L'appareil de rechange sera aussi couvert par notre garantie limitée d'un an. Veuillez suivre ces instructions pour recevoir ce service de qualité.

Si le batteur sur socle KitchenAid® cesse de fonctionner au cours de la première année, il suffit d'appeler le numéro sans frais 1 800 541 6390 du Centre de satisfaction de la clientèle du lundi au vendredi de 8 h à 20 h (heure de l'est) ou le samedi de 10 h à 17 h. Fournissez votre adresse de livraison complète au représentant. (Pas de boîte postale).

Quand vous recevez le batteur sur socle de rechange, veuillez utiliser le carton et les matériaux d'emballage pour emballer le batteur sur socle original. Écrivez vos nom et adresse sur une feuille de papier et mettez-la dans le carton avec une copie de la preuve d'achat (reçu de caisse, facture de règlement par carte de crédit, etc.).

GARANTIE DE SATISFACTION TOTALE ET DE REMPLACEMENT - CANADA

Nous sommes tellement certains que la qualité de nos produits satisfait aux normes exigeantes de KitchenAid que, si le batteur sur socle cesse de fonctionner au cours de la première année, KitchenAid Canada le remplacera par un batteur sur socle identique ou comparable. L'appareil de rechange sera aussi couvert par notre garantie limitée d'un an. Veuillez suivre ces instructions pour recevoir ce service de qualité.

Si le batteur sur socle KitchenAid® cesse de fonctionner au cours de la première année, apportez-le ou retournez-le port dû à un centre de réparation KitchenAid Canada autorisé.

Écrivez votre nom et adresse complète sur une feuille de papier et mettez-la dans le carton avec une copie de la preuve d'achat (reçu de caisse, facture de règlement par carte de crédit, etc.) Le batteur sur socle de rechange sera expédié port prépayé et assuré. Si le service ne s'avère pas satisfaisant, appelez le numéro sans frais du Customer eXperience Centre : 1 800 807 6777.

Ou écrivez à :
Customer eXperience Centre
KitchenAid Canada
1901 Minnesota Court
Mississauga, ON L5N 3A7

COMMENT OBTENIR UNE RÉPARATION SOUS GARANTIE À PUERTO RICO

Le batteur sur socle KitchenAid® est couvert par une garantie limitée d'un an à partir de la date d'achat. KitchenAid prendra en charge les coûts des pièces de rechange et de main-d'œuvre pour corriger les défauts de matériaux et de main-d'œuvre. Le service après-vente doit être assuré par un centre de réparation autorisé KitchenAid.

Apportez le batteur sur socle ou retournez-le port payé et assuré à un centre de réparation autorisé de KitchenAid. Le batteur sur socle réparé sera expédié port prépayé et assuré. S'il est impossible d'obtenir des réparations satisfaisantes de cette manière, appelez le numéro sans frais 1 800 541 6390 pour obtenir l'adresse d'un centre de réparation près de chez vous.

COMMENT OBTENIR UNE RÉPARATION HORS GARANTIE – TOUS LES TERRITOIRES

Avant d'appeler pour faire réparer, consultez la section Dépannage.

Pour obtenir de l'information sur les réparations dans les 50 États des États-Unis, le district fédéral de Columbia et Puerto Rico,

appelez le numéro sans frais 1 800 541 6390.

Ou écrivez à :
Centre de satisfaction de la clientèle
KitchenAid Portable Appliances
P.O. Box 218
St. Joseph, MI 49085-0218

Ou contactez un centre de réparation autorisé près de chez vous.

Pour obtenir de l'information sur les réparations au Canada,

appelez le numéro sans frais 1 800 807 6777.

Ou écrivez à :
Customer eXperience Centre
KitchenAid Canada
1901 Minnesota Court
Mississauga, ON L5N 3A7

COMMENT OBTENIR UNE RÉPARATION EN DEHORS DE CES TERRITOIRES

Demandez à votre distributeur local KitchenAid ou au détaillant où le batteur sur socle a été acheté où le faire réparer.

Pour obtenir de l'information sur les réparations au Mexique,

appelez le numéro sans frais 01-800-024-17-17
(JV Distribuciones)

Ou

01-800-902-31-00
(Industrias Birtman)

COMMENT COMMANDER DES ACCESSOIRES ET DES PIÈCES DE RECHANGE

FRANÇAIS

Pour commander des accessoires ou des pièces de rechange pour le batteur sur socle dans les 50 États des États-Unis, dans le district fédéral de Columbia et à Puerto-Rico, appelez sans frais le 1 800 541 6390 du lundi au vendredi, de 8 h à 20 h (heure de l'est), le samedi de 10 h à 17 h.

Ou écrivez à :
Centre de satisfaction de la clientèle
KitchenAid Portable Appliances
P.O. Box 218
St. Joseph, MI 49085-0218

Pour commander des accessoires ou des pièces de rechange pour le batteur sur socle au Canada, appelez sans frais le 1 800 807 6777.

Ou écrivez à :
Customer eXperience Centre
KitchenAid Canada
1901 Minnesota Court
Mississauga, ON L5N 3A7

Pour commander des accessoires ou des pièces de rechange pour le batteur sur socle au Mexique, appelez sans frais le 01-800-024-17-17 (JV Distribuciones)

Ou
01-800-902-31-00
(Industrias Birtman)

DÉPANNAGE

Veillez lire les directives suivantes avant de téléphoner au centre de réparation.

1. Le batteur sur socle peut se réchauffer durant l'utilisation. Dans le cas de charges importantes et d'une durée de mélange prolongée, il est possible que vous ne puissiez pas toucher facilement le dessus du batteur. Ceci est normal.
2. Le batteur sur socle peut dégager une odeur désagréable, particulièrement s'il est neuf. Cela se produit couramment avec les moteurs électriques.
3. Si le batteur plat frappe le bol, éteignez le batteur sur socle. Consultez la section "Jeu entre le batteur et le bol".

Veillez conserver une copie du coupon de caisse indiquant la date d'achat de votre batteur. La preuve d'achat vous assure du service d'après-vente sous garantie.

Si le batteur sur socle fonctionne mal ou pas du tout, vérifiez les points suivants :

- Le batteur est-il branché?
- Le fusible du circuit relié au batteur sur socle est-il en état de marche? Si vous avez un disjoncteur, assurez-vous que le circuit est fermé.
- Débranchez le batteur sur socle et attendez 10 à 15 secondes, puis remettez-le en fonction. Si le batteur ne fonctionne pas, laissez-le refroidir pendant 30 minutes avant de le rebrancher.

Si le problème ne peut pas être résolu en suivant les étapes fournies dans cette section, veuillez communiquer avec KitchenAid ou un centre de réparation autorisé :

États-Unis/Puerto Rico :

1-800-541-6390,

Canada : 1 800 807 6777

Mexique : 01-800-024-17-17
(JV Distribuciones)

Ou

01-800-902-31-00
(Industrias Birtman)

Consultez la section Garantie et réparations des produits KitchenAid pour obtenir plus de détails. Ne retournez pas le batteur chez le détaillant, car celui-ci n'offre pas de service de réparation.

CARACTÉRISTIQUES DU BATTEUR SUR SOCLE À TÊTE INCLINABLE



REMARQUE : Cette photo illustre le batteur sur socle série Artisan®. Les caractéristiques de votre modèle de batteur peuvent différer légèrement.

ASSEMBLAGE DU BATTEUR SUR SOCLE À TÊTE INCLINABLE

AVERTISSEMENT



Risque de choc électrique

Brancher sur une prise à 3 alvéoles reliée à la terre.

Ne pas enlever la broche de liaison à la terre.

Ne pas utiliser un adaptateur.

Ne pas utiliser un câble de rallonge.

Le non-respect de ces instructions peut causer un décès, un incendie ou un choc électrique.



Pour fixer le bol

1. Tournez le levier de réglage de la vitesse à la position OFF (ARRÊT).
2. Débranchez le batteur sur socle ou coupez le courant.
3. Faites basculer la culasse de moteur.
4. Placez le bol sur la plaque de serrage du bol.
5. Tournez doucement le bol dans le sens des aiguilles d'une montre.
6. Branchez sur une prise à 3 alvéoles reliée à la terre.

Pour retirer le bol

1. Tournez le levier de réglage de la vitesse à la position OFF (ARRÊT).
2. Débranchez le batteur sur socle ou coupez le courant.
3. Faites basculer la culasse de moteur.
4. Tournez le bol dans le sens contraire des aiguilles d'une montre.



Pour fixer le batteur plat, le fouet en broche ou le crochet pétrisseur

1. Tournez le levier de réglage de la vitesse à la position OFF (ARRÊT).
2. Débranchez le batteur sur socle ou coupez le courant.
3. Faites basculer la culasse de moteur.
4. Faites glisser le fouet sur l'arbre du batteur et enfoncez-le le plus loin possible en poussant vers le haut.
5. Accrochez le fouet sur l'ergot situé sur l'arbre. Pour ce faire, tournez le fouet à droite.
6. Branchez sur une prise à 3 alvéoles reliée à la terre.

Pour enlever le batteur plat, le fouet en broche ou le crochet pétrisseur

1. Tournez le levier de réglage de la vitesse à la position OFF (ARRÊT).
2. Débranchez le batteur sur socle ou coupez le courant.
3. Faites basculer la culasse de moteur.
4. Poussez le fouet vers le haut, le plus loin possible, puis tournez-le vers la gauche.
5. Retirez le fouet de l'arbre.

ASSEMBLAGE DU BATTEUR SUR SOCLE À TÊTE INCLINABLE

Guide de réglage de la vitesse

Le levier de réglage de la vitesse doit toujours être au plus bas pour le démarrage, puis augmenté progressivement à la vitesse supérieure recherchée afin d'éviter les éclaboussures des ingrédients hors du bol. Voir le section "Guide de réglage de la vitesse".

Pour verrouiller la culasse du moteur

1. Assurez-vous que la culasse du moteur est complètement abaissée.
2. Mettez le levier de verrouillage à la position LOCK (VERROUILLER).
3. Avant d'utiliser le batteur, vérifiez le verrouillage en essayant de soulever la culasse.

Pour déverrouiller la culasse du moteur

1. Mettez le levier de verrouillage à la position UNLOCK (DÉVERROUILLER).

REMARQUE : La culasse de moteur doit toujours être verrouillée lorsque vous utilisez le batteur.

Réglage de la vitesse



Lock
(Déverrouiller) **Unlock**
(Verrouiller)



UTILISATION DE L'ÉCRAN VERSEUR*

Pour fixer l'écran verseur

1. Tournez le levier de réglage de la vitesse à la position OFF (ARRÊT).
2. Débranchez le batteur sur socle ou coupez le courant.
3. Fixez le fouet plat, le crochet pétrisseur ou le fouet en broche et le bol (reportez-vous à la section "Assemblage du batteur sur socle à tête inclinable").
4. De l'avant du batteur, faites glisser l'écran verseur sur le bol jusqu'à ce que l'écran soit centré. Le rebord inférieur de l'écran doit s'ajuster dans le bol.

Pour enlever l'écran verseur

1. Tournez le levier de réglage de la vitesse à la position OFF (ARRÊT).
2. Débranchez le batteur sur socle ou coupez le courant.
3. Soulevez l'avant de l'écran verseur du rebord du bol et tirez vers l'avant.
4. Enlevez l'accessoire et le bol.



Pour utiliser l'écran verseur

1. Pour de meilleurs résultats, tournez l'écran de manière à ce que la culasse de moteur couvre l'espace en "U" dans l'écran. La goulotte se trouve directement à droite de la prise d'accessoires quand vous vous trouvez face au batteur.
2. Versez les ingrédients dans le bol par la goulotte.

UTILISATION DES ACCESSOIRES KITCHENAID®



Batteur plat pour préparations standard à épaisses :

gâteaux	biscotins
glaçages à la crème	pains éclairs
bonbons	pains de viande
biscuits	pommes de terre en purée
pâte à tarte	



Fouet en broche pour les préparations dans lesquelles il faut incorporer de l'air :

œufs	gâteaux éponges
blancs d'œufs	gâteaux des anges
crème épaisse	mayonnaise
glaçages bouillis	certaines bonbons



Crochet pétrisseur pour mélanger et pétrir des pâtes à levure :

pains	brioches
petits pains mollets	petits pains au lait

DURÉE DE MÉLANGE

Le batteur sur socle KitchenAid® mélange plus rapidement et de manière plus homogène que la plupart des autres batteurs électriques. Par conséquent, la durée de mélange indiquée dans la plupart des recettes traditionnelles ou ne provenant pas d'un emballage doit être modifiée pour éviter un fouettage excessif. Par exemple, dans le cas des gâteaux, la durée de fouettage peut être 2 fois plus courte que celle requise pour les autres batteurs.

UTILISATION DU BATTEUR SUR SOCLE À TÊTE INCLINABLE

AVERTISSEMENT

Risque de blessure

Débrancher le batteur avant de toucher aux fouets.

Le non-respect de cette instructions peut entraîner des fractures d'os, des coupures ou des bleus.

REMARQUE : Ne raclez pas le bol lorsque le batteur sur socle fonctionne.

Le bol et le batteur sont conçus pour assurer une homogénéité du mélange sans raclage fréquent. Habituellement, il suffit de raclez le bol une ou deux fois durant le mélange. Éteignez le batteur avant de raclez les parois.

Le batteur sur socle peut se réchauffer durant l'utilisation. Dans le cas de charges importantes et d'une durée de mélange prolongée, il est possible que vous ne puissiez pas toucher facilement le dessus du batteur. Ceci est normal.

ENTRETIEN ET NETTOYAGE

Le bol, le batteur plat blanc et le crochet pétrisseur blanc peuvent se laver dans un lave-vaisselle automatique. Ou, nettoyez-les bien dans de l'eau chaude savonneuse et rincez bien avant de sécher. Le fouet en broche, le crochet pétrisseur bruni et le batteur plat bruni devraient être lavés à la main et séchés immédiatement. Ne lavez pas le fouet en broche, le crochet pétrisseur bruni et le batteur plat bruni dans un lave-vaisselle. Ne rangez pas les batteurs sur l'arbre.

REMARQUE : Assurez-vous toujours de débrancher le batteur sur socle avant de le nettoyer. Essuyez le batteur sur socle à l'aide d'un chiffon doux et humide. N'utilisez pas de produits nettoyants à usage domestique ou commercial. N'immergez pas l'appareil dans l'eau. Essuyez fréquemment l'arbre du batteur pour enlever tout résidu pouvant s'accumuler.

JEU ENTRE LE BATTEUR ET LE BOL

Votre batteur sur socle est réglé en usine de manière à ce que le jeu entre le batteur plat et le fond du bol soit minimal. Si pour quelque raison que ce soit le batteur plat heurte le fond du bol ou que l'espace entre le fouet et le fond du bol est trop important, le jeu peut être corrigé de la façon suivante :

1. Tournez le levier de réglage de la vitesse à la position OFF (ARRÊT).
2. Débranchez le batteur sur socle ou coupez le courant.
3. Faites basculer la culasse de moteur.
4. Tournez LÉGÈREMENT la vis (A) dans le sens contraire des aiguilles d'une montre (gauche) pour monter le batteur plat ou dans le sens des aiguilles d'une montre (droite) pour le baisser.
5. Réglez le batteur plat de façon à dégager tout juste la surface du bol. Si vous réglez excessivement la vis, vous ne serez pas en mesure de verrouiller la culasse du moteur en position basse.

REMARQUE : Réglé adéquatement, le batteur plat ne heurtera pas le fond ni les parois du bol. Si le batteur plat ou le fouet en broche est mal réglé et qu'il heurte le fond du bol, le revêtement du batteur plat peut disparaître ou les broches du batteur peuvent s'user.



GUIDE DE RÉGLAGE DE LA VITESSE

VITESSE	UTILISEZ POUR	DESCRIPTION
Stir	BRASSAGE	Pour brasser lentement, combiner, réduire en purée, lancer toutes les procédures de mélange. Utilisez cette vitesse pour ajouter de la farine et des ingrédients secs à une pâte, ajouter des liquides à des ingrédients secs, et mélanger des préparations épaisses. Utilisez avec l'accessoire sorbetière.
2	MÉLANGE LENT	Pour mélanger lentement, réduire en purée et brasser rapidement. Utilisez cette vitesse pour mélanger les pâtes épaisses et les bonbons, commencer à réduire les pommes de terre et autres légumes en purée, incorporer les matières grasses dans la farine, mélanger les pâtes claires ou qui éclaboussent, et mélanger et pétrir la pâte à levure. Utilisez avec l'ouvre-boîte.
4	MÉLANGE, BATTAGE	Pour mélanger les pâtes semi-épaisses comme celle des biscuits. Utilisez cette vitesse pour mélanger le sucre et les matières grasses et ajouter le sucre aux blancs d'œuf pour les meringues. Vitesse élevée pour les mélanges à gâteaux. Utilisez avec les accessoires suivants : le hachoir, trancheuse/râpeuse à rotor, et presse fruits/légumes.
6	BATTAGE, CRÉMAGE	Pour un battage à vitesse moyenne élevée (crémage) ou le fouettage. Utilisez pour finir les mélanges à gâteaux, la pâte à beignets et autres pâtes. Vitesse moyenne pour les mélanges à gâteaux. Utilisez avec le presse-agrumes.
8	BATTAGE RAPIDE, FOUETTAGE	Pour fouetter la crème, les blancs d'œufs, et les glaçages bouillis.
10	FOUETTAGE RAPIDE	Pour fouetter de petites quantités de crème ou de blancs d'œufs. Utilisez avec la machine à pâtes et le moulin à grains.

REMARQUE : La vitesse élevée ne sera pas maintenue dans le cas de charges importantes comme c'est le cas lorsque l'accessoire machine à pâtes ou le moulin à grains est utilisé. Ceci est normal.

REMARQUE : Le levier de réglage de la vitesse peut être réglé entre les vitesses indiquées dans le tableau ci-dessus pour obtenir les vitesses 3, 5, 7 et 9 si un réglage plus précis est nécessaire.

Utilisez la vitesse 2 pour préparer la pâte à levure - utiliser toute autre vitesse pourrait endommager le batteur.

CONSEILS DE MÉLANGE

Adaptez votre recette au batteur

Les directives de mélange pour les recettes figurant dans ce manuel peuvent vous guider dans l'adaptation de vos recettes favorites pour la préparation au batteur sur socle KitchenAid®. Cherchez des recettes similaires aux vôtres, puis adaptez-les pour suivre les méthodes mentionnées dans les recettes similaires de KitchenAid.

Par exemple, la méthode "mélange rapide" (quelquefois appelée méthode "versage") convient parfaitement pour les gâteaux simples comme le gâteau jaune rapide et le gâteau blanc facile dont les recettes figurent dans le présent manuel. Cette méthode demande de travailler les aliments secs avec tous ou presque tous les ingrédients liquides en une étape.

Les gâteaux plus élaborés, comme les tourtes, doivent être préparés à l'aide de la méthode de mélange traditionnelle. Cette méthode vous permet de bien mélanger (crémer) le sucre et la matière grasse, le beurre ou la margarine, avant l'ajout d'autres ingrédients.

Pour tous les gâteaux, la durée de mélange peut différer parce que le batteur sur socle KitchenAid® travaille plus rapidement que les autres. En général, le mélange d'une pâte à gâteau avec le batteur sur socle KitchenAid® prendra deux fois moins de temps que la durée indiquée dans la plupart des recettes à gâteau traditionnelle ou ne provenant pas d'un emballage.

Pour trouver la durée de mélange idéale, observez la pâte ou la préparation et mélangez seulement jusqu'à obtenir l'apparence recherchée décrite dans votre recette, par exemple une apparence "lisse et crémeuse".

Pour sélectionner la vitesse de mélange idéale, voir la section "Guide de réglage de la vitesse".

Ajout des ingrédients

Ajoutez toujours les ingrédients aussi près que possible des parois du bol et non directement dans la zone du fouet en mouvement. Vous pouvez utiliser l'écran verseur pour simplifier l'ajout des ingrédients.

REMARQUE : Si les ingrédients qui se trouvent dans le fond du bol ne sont pas bien mélangés, cela signifie que le fouet n'est pas suffisamment près du fond du bol. Consultez la section "Jeu entre le batteur et le bol".

Mélanges à gâteaux

Lorsque vous préparez des mélanges à gâteaux du commerce, utilisez la 2e vitesse comme basse vitesse, la 4e vitesse comme vitesse moyenne et la 6e vitesse comme vitesse élevée. Pour obtenir de meilleurs résultats, mélangez la pâte selon le temps indiqué sur l'emballage.

Ajout de noix, de raisins ou de fruits confits

Suivez chaque recette pour connaître les directives sur l'ajout de ces ingrédients. En général, les matières solides doivent être incorporées au cours des dernières secondes de mélange à la vitesse d'agitation. La pâte doit être suffisamment épaisse pour que les fruits ou les noix ne tombent pas au fond du moule durant la cuisson. Les fruits collants doivent être saupoudrés de farine afin qu'ils soient mieux répartis dans la pâte.

Mélanges liquides

Les mélanges renfermant de grandes quantités d'ingrédients liquides doivent être mélangés à basse vitesse pour éviter les éclaboussures. Augmentez la vitesse seulement lorsque le mélange a épaissi.

BLANCS D'ŒUFS

Placez les blancs d'œufs à température ambiante dans un bol sec et propre. Fixez le bol et le fouet en broche. Pour éviter les éclaboussures, tournez graduellement le levier à la vitesse désignée et fouettez jusqu'à obtenir l'effet désiré. Consultez le tableau ci-dessous.

QUANTITÉ

1 blanc d'œuf ... GRADUELLEMENT
à 10

2 blancs d'œufs ... GRADUELLEMENT
et plus à 8

Étapes de fouettage

Les blancs d'œufs sont fouettés rapidement grâce au batteur sur socle KitchenAid®. Soyez très attentif pour éviter tout fouettage excessif. La liste suivante vous indique à quoi vous attendre.

Mousseux

Grosses bulles d'air inégales.

Commence à garder sa forme

Les bulles d'air sont petites et compactes; le produit est blanc.

VITESSE

Pic souple

Les pics tombent lorsque le fouet est enlevé.

Presque ferme

Des pics bien nets se forment lorsque le fouet est enlevé, mais les blancs d'œufs sont souples.

Ferme sans être sec

Des pics fermes et nets se forment lorsque le fouet est enlevé. Les blancs d'œufs présentent une couleur et une brillance uniforme.

Ferme et sec

Des pics fermes et nets se forment lorsque le fouet est enlevé. Les blancs d'œufs présentent une apparence tachetée et matte.

CRÈME FOUETTÉE

Versez la crème à fouetter froide dans un bol refroidi. Fixez le bol et le fouet en broche. Pour éviter les éclaboussures, tournez graduellement le levier à la vitesse désignée et fouettez jusqu'à obtenir l'effet désiré. Consultez le tableau ci-dessous.

QUANTITÉ

60 mL - 175 mL GRADUELLEMENT
(1/4 - 3/4 tasse) à 10

235 mL +..... GRADUELLEMENT
(1 tasse et +) à 8

Étapes de fouettage

Surveillez la crème de près durant le fouettage. Le batteur sur socle KitchenAid® fouette si rapidement que seules quelques secondes séparent les étapes de fouettage. Regardez si les caractéristiques suivantes sont présentes :

VITESSE

Commence à épaissir

La crème est épaisse et ressemble à une crème anglaise.

Garde sa forme

La crème forme des pics souples lorsque le fouet est enlevé. Dans le cas des desserts et des sauces, la crème peut être incorporée à d'autres ingrédients.

Ferme

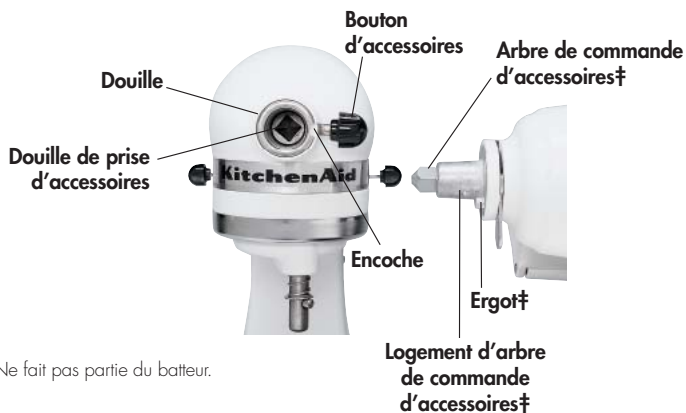
La crème présente des pics fermes et nets lorsque le fouet en broche est enlevé. Utilisez la crème pour napper des gâteaux ou d'autres desserts, ou pour fourrer des choux à la crème.

ACCESSOIRES

Renseignements généraux

Les accessoires KitchenAid® sont conçus pour assurer une longue vie utile. L'arbre de commande d'accessoires et la douille de prise d'accessoires sont carrés afin d'éliminer toute possibilité de glissement durant la transmission de puissance à l'accessoire. Les logements de la prise d'accessoires et de l'arbre sont effilés afin d'assurer un ajustement serré même après une utilisation et une usure prolongées. Les accessoires KitchenAid® ne requièrent aucune unité de puissance supplémentaire pour les faire fonctionner; car l'unité est intégrée.

Voir le guide d'utilisation et d'entretien des accessoires du batteur sur socle pour les réglages de vitesse et les durées de fonctionnement.



† Ne fait pas partie du batteur.

DIRECTIVES GÉNÉRALES

Pour fixer

1. Tournez le levier de réglage de la vitesse à la position OFF (ARRÊT).
2. Débranchez le batteur ou coupez le courant.
3. Desserrez le bouton d'accessoires en le tournant dans le sens contraire des aiguilles d'une montre, et retirez le couvercle de prise d'accessoires ou faites-le basculer.
4. Insérez le logement d'arbre de commande d'accessoires dans la prise d'accessoires, en vous assurant que l'arbre de commande d'accessoires s'emboîte dans la douille carrée de la prise d'accessoires. Il peut être nécessaire de faire tourner l'accessoire d'avant en arrière. Si l'accessoire est bien placé, l'ergot situé sur l'accessoire s'emboîte dans l'encoche sur le rebord de la prise.
5. Serrez le bouton d'accessoires en le tournant dans le sens des aiguilles d'une montre jusqu'à ce que l'accessoire soit complètement assujéti au batteur.

AVERTISSEMENT



Risque de choc électrique

Brancher sur une prise à 3 alvéoles reliée à la terre.

Ne pas enlever la broche de liaison à la terre.

Ne pas utiliser un adaptateur.

Ne pas utiliser un câble de rallonge.

Le non-respect de ces instructions peut causer un décès, un incendie ou un choc électrique.

6. Branchez sur une prise à 3 alvéoles reliée à la terre.

Pour enlever

1. Tournez le levier de réglage de la vitesse à la position OFF (ARRÊT).
2. Débranchez le batteur ou coupez le courant.
3. Desserrez le bouton d'accessoires en le tournant dans le sens contraire des aiguilles d'une montre. Tournez légèrement l'accessoire d'avant en arrière au moment de le retirer.
4. Remplacez le couvercle de la prise d'accessoires. Serrez le bouton d'accessoires en le tournant dans le sens des aiguilles d'une montre.

COMPROBANTE DE COMPRA Y REGISTRO DEL PRODUCTO

Siempre conserve una copia del recibo de ventas que especifique la fecha de compra de su batidora con base. El comprobante de compra le asegurará el servicio técnico bajo garantía.

Antes de utilizar su batidora con base, complete y envíe por correo su tarjeta de registro del producto incluida con la unidad.

Esta tarjeta nos permitirá comunicarnos con usted en el improbable caso de notificación de algún problema de seguridad con el producto y nos ayudará a cumplir con las cláusulas de la Consumer Product Safety Act (Ley sobre la seguridad de los productos para el consumidor). Esta tarjeta no asegura su garantía.

Complete la siguiente información para su registro personal:

Número del modelo _____

Número de serie _____

Fecha de compra _____

Nombre de la tienda y dirección _____

SEGURIDAD DE LA BATIDORA CON BASE

Su seguridad y la seguridad de los demás es muy importante.

Hemos incluido muchos mensajes importantes de seguridad en este manual y en su electrodoméstico. Lea y obedezca siempre todos los mensajes de seguridad.



Este es el símbolo de advertencia de seguridad.

Este símbolo le llama la atención sobre peligros potenciales que pueden ocasionar la muerte o una lesión a usted y a los demás.

Todos los mensajes de seguridad irán a continuación del símbolo de advertencia de seguridad y de la palabra "PELIGRO" o "ADVERTENCIA". Estas palabras significan:



Si no sigue las instrucciones de inmediato, usted puede morir o sufrir una lesión grave.



Si no sigue las instrucciones, usted puede morir o sufrir una lesión grave.

Todos los mensajes de seguridad le dirán el peligro potencial, le dirán cómo reducir las posibilidades de sufrir una lesión y lo que puede suceder si no se siguen las instrucciones.

MEDIDAS DE SEGURIDAD IMPORTANTES

Cuando utilice electrodomésticos, siempre se deben seguir las precauciones básicas de seguridad, incluyendo las siguientes:

1. Lea todas las instrucciones.
2. Para protegerse del riesgo de descargas eléctricas, no coloque la batidora con base en agua ni en otro líquido.
3. Es necesario que supervise de cerca cuando algún electrodoméstico está siendo utilizado cerca de los niños o está siendo utilizado por éstos.
4. Desenchufe la batidora con base cuando no esté en uso, antes de colocarla o quitarle las piezas y antes de limpiarla.
5. Evite el contacto con las piezas móviles. Para reducir los riesgos de lesiones a personas y/o de daños a la batidora, mantenga las manos, el cabello, la vestimenta, las espátulas y otros utensilios alejados del batidor cuando ésta esté en funcionamiento.

6. No utilice la batidora con base con un cable o un enchufe dañado, luego de un mal funcionamiento ni si se ha caído o dañado de alguna forma. Devuelva el electrodoméstico al Centro de servicio técnico autorizado más cercano para su inspección, reparación o ajuste eléctrico o mecánico. Llame al Centro de satisfacción del cliente de KitchenAid al 1-800-541-6390 (1-800-807-6777 en Canadá) para obtener más información.
7. El uso de accesorios no recomendados o vendidos por KitchenAid puede provocar incendios, descargas eléctricas o lesiones.
8. No utilice la batidora con base en exteriores.
9. No deje que el cable cuelgue del borde de la mesa o mostrador.
10. Quite el batidor plano, el batidor de alambre o el gancho amasador de la batidora con base antes de lavarla.

GUARDE ESTAS INSTRUCCIONES

ESTE PRODUCTO ESTÁ DISEÑADO PARA SER UTILIZADO SÓLO PARA USO DOMÉSTICO

REQUISITOS ELÉCTRICOS

Voltios: 120 V.C.A.
Hertzios: 60 Hz

La potencia en vatios para su batidora con base está impresa en una etiqueta debajo de la base de la batidora. También se menciona en la banda decorativa.

Si el cable del suministro eléctrico es demasiado corto, solicite a un electricista o a un técnico calificado que instale un tomacorriente cerca del electrodoméstico.

La clasificación máxima está basada en el accesorio que requiera la mayor carga (potencia). Otros accesorios recomendados pueden requerir una potencia significativamente menor.

⚠ ADVERTENCIA



**Peligro de
Choque Eléctrico**

**Conecte a un contacto de
pared de conexión a tierra
de 3 terminales.**

**No quite la terminal de
conexión a tierra.**

No use un adaptador.

**No use un cable eléctrico
de extensión.**

**No seguir estas
instrucciones puede
ocasionar la muerte,
incendio o choque eléctrico.**

GARANTÍA DE LA BATIDORA CON BASE KITCHENAID®

Duración de la garantía:	KitchenAid pagará por:	KitchenAid no pagará por:
<p>50 estados de los Estados Unidos, el Distrito de Columbia, Canadá y Puerto Rico: Un año de garantía limitada a partir de la fecha de compra.</p>	<p>50 estados de los Estados Unidos, el Distrito de Columbia y Canadá: el reemplazo de su batidora con base sin dificultades. Consulte la siguiente página para obtener los detalles sobre cómo realizar el reemplazo. ○ En Puerto Rico: Los costos de los repuestos y del trabajo de reparación para corregir los defectos en los materiales y la mano de obra. El servicio técnico debe ser provisto por un Centro de servicio técnico de KitchenAid autorizado. Para solicitar un servicio técnico, siga las instrucciones dos secciones "Cómo obtener el servicio".</p>	<p>A. Las reparaciones cuando la batidora con base sea utilizada con otro fin que no sea el uso doméstico normal de una familia.</p> <p>B. Los daños como consecuencia de un accidente, alteración, mal uso, abuso o uso con productos no aprobados por KitchenAid.</p> <p>C. Los costos de repuestos o de mano de obra de reparación de la batidora con base cuando haya sido utilizada fuera del país en donde fue comprada.</p>

EXCLUSIÓN DE GARANTÍAS IMPLÍCITAS; LIMITACIÓN DE RECURSOS

LAS GARANTÍAS IMPLÍCITAS, INCLUYENDO GARANTÍAS EN LA MEDIDA EN QUE SE APLIQUEN A LA COMERCIABILIDAD O APTITUD CON UN FIN DETERMINADO, SON EXCLUIDAS EN LA MEDIDA PERMITIDA POR LEY. CUALQUIER GARANTÍA IMPLÍCITA QUE PUEDA SER IMPUESTA POR LEY ESTÁ LIMITADA A UN AÑO O AL PERÍODO MÁS CORTO PERMITIDO POR LEY. ALGUNOS ESTADOS Y PROVINCIAS NO PERMITEN LIMITACIONES NI EXCLUSIONES EN RELACIÓN CON LA DURACIÓN DE UNA GARANTÍA IMPLÍCITA DE COMERCIABILIDAD O DE APTITUD, DE MANERA TAL QUE LAS LIMITACIONES O EXCLUSIONES ANTERIORES PUEDEN NO APLICARSE EN SU CASO.

SI ESTE PRODUCTO NO FUNCIONA SEGÚN SE GARANTIZA, EL ÚNICO Y EXCLUSIVO RECURSO DEL CLIENTE SERÁ LA REPARACIÓN O EL REEMPLAZO SEGÚN LOS TÉRMINOS DE ESTA GARANTÍA LIMITADA. KITCHENAID Y KITCHENAID CANADA NO ASUMEN NINGUNA RESPONSABILIDAD POR DAÑOS INCIDENTALES O CONSIGUIENTES. Esta garantía le otorga derechos legales específicos y es posible que usted goce de otros derechos que varían de estado en estado o de provincia en provincia.

GARANTÍA DE REEMPLAZO SIN DIFICULTADES EN LOS 50 ESTADOS DE LOS ESTADOS UNIDOS Y EN EL DISTRITO DE COLUMBIA

Confiamos tanto en que la calidad de nuestros productos cumple con las exigentes normas de KitchenAid, que si la batidora con base presentara alguna falla durante el primer año de compra, KitchenAid hará arreglos para entregar un reemplazo idéntico o comparable a su domicilio sin cargo y arreglará la devolución de su batidora con base original a nosotros. El reemplazo de su unidad también estará cubierto por nuestra garantía limitada de un año. Siga estas instrucciones para recibir este servicio de calidad.

Si su batidora con base KitchenAid® presentara alguna falla durante el primer año, simplemente llame gratis

a nuestro Centro de satisfacción del cliente KitchenAid al 1-800-541-6390, de lunes a viernes de 8 a.m. a 8 p.m. (Hora del Este), o los sábados, de 10 a.m. a 5 p.m. Proporcione al asesor su dirección completa para el envío. (No se aceptan números de casillas postales).

Cuando reciba la unidad de reemplazo de su batidora con base, utilice la caja y los materiales de embalaje para embalar la batidora con base original. En la caja, escriba su nombre y dirección en un papel junto con la copia del comprobante de compra (recibo de compra, ticket de la tarjeta de crédito, etc.).

GARANTÍA DE REEMPLAZO SIN DIFICULTADES EN CANADÁ

Confiamos tanto en que la calidad de nuestros productos cumple con las exigentes normas de KitchenAid que, si su batidora con base presentara alguna falla durante el primer año, KitchenAid Canada la reemplazará por una idéntica o comparable. El reemplazo de su unidad también estará cubierto por nuestra garantía limitada de un año. Siga estas instrucciones para recibir este servicio de calidad.

Si su batidora con base KitchenAid® presentara alguna falla durante el primer año, lleve la batidora con base o mándela con envío por cobrar a un Centro de servicio técnico KitchenAid Canada autorizado. En la

caja, escriba su nombre y dirección postal en un papel junto con la copia el comprobante de compra (recibo de compra, ticket de la tarjeta de crédito, etc.) La batidora con base de reemplazo se le entregará de forma prepagada y asegurada. Si no queda satisfecho con el servicio, llame de manera gratuita a nuestro Centro para la eXperiencia del cliente al 1-800-807-6777.

O escribanos a:
Customer eXperience Centre
KitchenAid Canada
1901 Minnesota Court
Mississauga, ON L5N 3A7

CÓMO OBTENER EL SERVICIO DE GARANTÍA EN PUERTO RICO

Su batidora con base KitchenAid® tiene garantía limitada de un año a partir de la fecha de compra. KitchenAid pagará los repuestos y la mano de obra para corregir defectos en los materiales y en la mano de obra. El servicio técnico debe ser provisto por un Centro de servicio técnico de KitchenAid autorizado.

Lleve la batidora con base o mándela con envío prepagado y asegurado a un Centro de servicio técnico de KitchenAid autorizado. La batidora con base reparada se le entregará de forma prepagada y asegurada. Si no queda satisfecho con el servicio, llame de manera gratuita al 1-800-541-6390 para averiguar la ubicación del Centro de servicio técnico más cercano.

CÓMO OBTENER EL SERVICIO DE GARANTÍA UNA VEZ QUE ÉSTA HAYA EXPIRADO – TODOS LOS LUGARES

Antes de llamar al servicio técnico, revise la sección de Solución de problemas.

Para obtener información sobre el servicio técnico en los 50 estados de los Estados Unidos, el Distrito de Columbia y Puerto Rico,

llame de manera gratuita al 1-800-541-6390.

○ escriba a:
Customer Satisfaction Center
KitchenAid Portable Appliances
P.O. Box 218
St. Joseph, MI 49085-0218

○ comuníquese con un Centro de servicio técnico autorizado cercano a su domicilio.

Para obtener información sobre el servicio técnico en Canadá,

llame de manera gratuita al 1-800-807-6777.

○ escriba a:
Customer eXperience Centre
KitchenAid Canada
1901 Minnesota Court
Mississauga, ON L5N 3A7

CÓMO OBTENER EL SERVICIO TÉCNICO EN OTROS LUGARES

Consulte a su distribuidor de KitchenAid local o a la tienda donde compró la batidora con base para obtener información sobre el servicio técnico.

Para obtener información sobre el servicio técnico en México,

llame de manera gratuita al 01-800-024-17-17
(JV Distribuciones)

○
01-800-902-31-00
(Industrias Birtman)

CÓMO REALIZAR UN PEDIDO DE ACCESORIOS Y REPUESTOS

Para solicitar accesorios o repuestos para su batidora con base en los 50 estados de los Estados Unidos, el Distrito de Columbia y Puerto Rico,

llame de manera gratuita al 1-800-541-6390, de lunes a viernes, de 8 a.m. a 8 p.m. (Hora del Este) o los sábados, de 10 a.m. a 5 p.m.

○ escriba a:

Customer Satisfaction Center
KitchenAid Portable Appliances
P.O. Box 218
St. Joseph, MI 49085-0218

Para solicitar accesorios o repuestos para su batidora con base en Canadá,

llame de manera gratuita al 1-800-807-6777.

○ escriba a:

Customer eXperience Centre
KitchenAid Canada
1901 Minnesota Court
Mississauga, ON L5N 3A7

Para solicitar accesorios o repuestos para su batidora con base en México,

llame de manera gratuita al 01-800-024-17-17
(IV Distribuciones)

○

01-800-902-31-00
(Industrias Birtman)

SOLUCIÓN DE PROBLEMAS

Lea lo siguiente antes de llamar a su servicio técnico.

1. Es posible que la batidora con base se caliente durante su uso. Cuando la batidora funciona con cargas pesadas durante tiempos de mezclado prolongados, es posible que no pueda tocar de manera confortable la parte superior de la batidora. Esto es normal.
2. Es posible que la batidora con base emita un fuerte olor acre, especialmente cuando es nueva. Esto es común en los motores eléctricos.
3. Si el batidor plano choca con el bol, detenga la batidora con base. Consulte la sección "Distancia entre el batidor y el bol".

Conserve una copia del recibo de ventas que especifique la fecha de compra. El comprobante de compra le asegurará el servicio técnico bajo garantía.

Si su batidora con base falla o no funciona, verifique lo siguiente:

- ¿La batidora con base está enchufada?
- ¿El fusible del circuito de la batidora con base funciona bien? Si tiene una caja del interruptor de circuitos, asegúrese de que el circuito esté cerrado.
- Apague la batidora con base durante 10 ó 15 segundos y luego enciéndala nuevamente. Si la batidora continúa sin funcionar, déjela enfriar durante 30 minutos antes de encenderla nuevamente.

Si el problema no se resuelve con los pasos dados en esta sección, comuníquese con KitchenAid o con el Centro de servicio técnico autorizado:

EE.UU./Puerto Rico:

1-800-541-6390

Canadá: 1-800-807-6777

México: 01-800-024-17-17
(JV Distribuciones)

○

01-800-902-31-00
(Industrias Birtman)

Para obtener más detalles, consulte la sección de Garantía KitchenAid y servicio técnico. No devuelva la batidora a la tienda donde la compró, ellos no brindan el servicio técnico.

CARACTERÍSTICAS DE LA BATIDORA CON BASE CON CABEZA RECLINABLE

ESPAÑOL



NOTA: Esta foto muestra la batidora con base de la serie Artisan®. Es posible que las características de su modelo de batidora varíen ligeramente.

CÓMO ENSAMBLAR SU BATIDORA CON BASE CON CABEZA RECLINABLE

⚠️ ADVERTENCIA



Peligro de Choque Eléctrico

Conecte a un contacto de pared de conexión a tierra de 3 terminales.

No quite la terminal de conexión a tierra.

No use un adaptador.

No use un cable eléctrico de extensión.

No seguir estas instrucciones puede ocasionar la muerte, incendio o choque eléctrico.



Para colocar el bol

1. Haga girar el control de la velocidad hasta la posición OFF (APAGADO).
2. Desenchufe la batidora con base o desconecte la energía.
3. Incline el cabezal con motor hacia atrás.
4. Coloque el bol sobre la placa de sujeción.
5. Gire el bol suavemente hacia la derecha.
6. Conecte a un contacto de pared de conexión a tierra de 3 terminales.

Para quitar el bol

1. Haga girar el control de la velocidad hasta la posición OFF (APAGADO).
2. Desenchufe la batidora con base o desconecte la energía.
3. Incline el cabezal con motor hacia atrás.
4. Gire el bol hacia la izquierda.



Para colocar el batidor plano, el batidor de alambre o el gancho amasador

1. Haga girar el control de la velocidad hasta la posición OFF (APAGADO).
2. Desenchufe la batidora con base o desconecte la energía.
3. Incline el cabezal con motor hacia atrás.
4. Deslice el batidor sobre el eje del batidor y presione hacia arriba tanto como sea posible.
5. Gire el batidor hacia la derecha y engánchelo en la clavija del eje.
6. Conecte a un contacto de pared de conexión a tierra de 3 terminales.

Para quitar el batidor plano, el batidor de alambre o el gancho amasador

1. Haga girar el control de la velocidad hasta la posición OFF (APAGADO).
2. Desenchufe la batidora con base o desconecte la energía.
3. Incline el cabezal con motor hacia atrás.
4. Presione el batidor hacia arriba tanto como sea posible y gírelo hacia la izquierda.
5. Saque el batidor del eje del batidor.

Continúa en la página siguiente

CÓMO ENSAMBLAR SU BATIDORA CON BASE CON CABEZAL RECLINABLE

Para operar el control de la velocidad

La palanca de control de la velocidad siempre debe colocarse en la velocidad más baja para encenderse y luego, se debe mover gradualmente a la velocidad más alta deseada para evitar salpicaduras de los ingredientes fuera del bol. Consulte la sección "Guía para el control de la velocidad".



Para trabar el cabezal con motor

1. Asegúrese de que el cabezal con motor esté completamente abajo.
2. Coloque la palanca de ajuste en LOCK (TRABAR).
3. Antes de mezclar, pruebe si está trabado intentando elevar el cabezal.

Para destrabar el cabezal con motor

1. Coloque la palanca de ajuste en UNLOCK (DESTRABAR).

NOTA: Cuando se utiliza la batidora, el cabezal con motor siempre debe mantenerse en la posición LOCK (TRABAR).



CÓMO UTILIZAR SU VERTEDOR ANTISALPICADURAS*

Para colocar el vertedor antisalpicaduras

1. Haga girar el control de la velocidad hasta la posición OFF (APAGADO).
2. Desenchufe la batidora con base o desconecte la energía.
3. Coloque el batidor plano, el gancho amasador o el batidor de alambre y el bol. Vea la sección "Cómo ensamblar su batidora con base con cabeza reclinable".
4. Desde el frente de la batidora, deslice el vertedor antisalpicaduras sobre el bol hasta que el protector quede centrado. El borde inferior del protector debe encajar dentro del bol.

Para quitar el vertedor antisalpicaduras

1. Haga girar el control de la velocidad hasta la posición OFF (APAGADO).
2. Desenchufe la batidora con base o desconecte la energía.
3. Levante la parte delantera del vertedor antisalpicaduras, aléjela del borde del bol y jale hacia adelante.
4. Quite el accesorio y el bol.



Para utilizar el vertedor antisalpicaduras

1. Para obtener los mejores resultados, gire el protector para que el cabezal con motor cubra la abertura en forma de "u" en el protector. Si usted se coloca de frente a la batidora, el vertedor estará a la derecha del centro de conexión para accesorios.
2. Vierta los ingredientes en el bol a través del vertedor.

*Si se incluye el vertedor antisalpicaduras.

CÓMO UTILIZAR SUS ACCESORIOS KITCHENAID®



Batidor plano para mezclas de normales a espesas:

pasteles	galletas
glaseados con crema	panes rápidos
caramelos	pan de carne
galletas dulces	puré de papas
masa para tartas	



Batidor de alambre para las mezclas que necesitan que se incorpore aire:

huevos	pasteles de ángel
claras de huevo	mayonesa
crema espesa	algunos tipos de caramelos
glaseados hervidos	
pasteles esponjosos	



Gancho amasador para mezclar y amasar masas con levadura:

panes	pastel de café
panecillos	bollos

TIEMPO DE MEZCLADO

Su batidora con base KitchenAid® mezclará más rápidamente y mejor que la mayoría de las otras batidoras con base eléctricas. Por lo tanto, el tiempo de mezclado de la mayoría de las recetas tradicionales y de las que no vienen en los paquetes debe adaptarse para evitar batir más de lo necesario. En los pasteles, por ejemplo, el tiempo de batido es posible que sea la mitad que si se utilizan otras batidoras con base.

USO DE LA BATIDORA CON BASE CON CABEZA RECLINABLE

ADVERTENCIA

Peligro de Lesiones
Desenchufe la batidora antes de tocar los batidores.

No seguir esta instrucción puede ocasionar fracturas de huesos, cortaduras o magulladuras.

NOTA: No raspe el bol mientras la batidora con base está en funcionamiento.

El bol y el batidor están diseñados para mezclar exhaustivamente sin necesidad de raspar frecuentemente. El raspar el bol una o dos veces mientras se está mezclando es suficiente. Apague la batidora antes de raspar el bol.

Es posible que la batidora con base se caliente durante su uso. Cuando la batidora funciona con cargas pesadas durante tiempos de mezclado prolongados, es posible que no pueda tocar de manera confortable la parte superior de la batidora con base. Esto es normal.

CUIDADO Y LIMPIEZA

El bol, el batidor plano y el gancho amasador blancos pueden lavarse en una lavavajillas automática. También los puede lavar muy bien con agua jabonosa caliente y enjuagarlos perfectamente antes de secarlos. El batidor de alambre, el gancho amasador pulido y el batidor plano pulido deben lavarse a mano y secarse inmediatamente. No lave el batidor de alambre, el gancho de masa pulido y el batidor plano pulido en lavavajillas. No guarde los batidores colocados en el eje de la batidora.

NOTA: Siempre asegúrese de desenchufar la batidora con base antes de limpiarla. Limpie la batidora con base con un trapo suave y húmedo. No utilice limpiadores de uso doméstico ni comerciales. No la sumerja en agua. Limpie el eje del batidor frecuentemente y quite todo residuo que se hubiera acumulado.

DISTANCIA ENTRE EL BATIDOR Y EL BOL

Su batidora con base se ajusta en la fábrica para que el batidor plano se acerque pero no toque el fondo del bol. Si por algún motivo el batidor plano choca con el fondo del bol o está muy lejos de éste, puede corregir el espacio fácilmente.

1. Haga girar el control de la velocidad hasta la posición OFF (APAGADO).
2. Desenchufe la batidora con base o desconecte la energía.
3. Incline el cabezal con motor hacia atrás.
4. Gire el tornillo (A) LEVEMENTE en sentido antihorario (hacia la izquierda) para elevar el batidor plano o en sentido horario (hacia la derecha) para bajar el batidor plano.
5. Ajuste para que el batidor plano se acerque pero no toque la superficie del bol. Si ajusta demasiado el tornillo, es posible que no pueda trabar el cabezal con motor cuando éste se baja.

NOTA: Cuando el batidor plano está debidamente ajustado, no golpea ni el fondo ni los laterales del bol. Si el batidor plano o el batidor de alambre se ajusta de manera que golpea el bol, el revestimiento del batidor puede desprenderse o los alambres del batidor pueden desgastarse.



GUÍA PARA EL CONTROL DE LA VELOCIDAD

VELOCIDAD	USO	DESCRIPCIÓN
Stir	REVOLVER	Para revolver lentamente, ligar, hacer puré, iniciar todos los procesos de mezcla. Utilice para añadir harina e ingredientes secos a las mezclas, añadir líquidos a ingredientes secos y ligar mezclas espesas. Utilice con el accesorio fabricante de helados.
2	MEZCLAR LENTAMENTE	Para mezclar lentamente, hacer puré, revolver más rápidamente. Utilice para hacer mezclas espesas y caramelos, para comenzar a hacer puré de papas o de otras verduras, para desmenuzar la materia grasa en la harina, para hacer mezclas poco espesas y líquidas que salpican fácilmente y para mezclar y amasar masas con levadura. Utilice con el accesorio abrelatas.
4	MEZCLAR, BATIR	Para hacer mezclas semiespesas como por ejemplo galletas dulces. Utilice para ligar azúcar y materia grasa y para añadir azúcar a las claras de huevo para hacer merengues. Velocidad media para mezclas para pasteles. Utilice con: molino de alimentos, rebandor/rallador de rotor, colador de frutas y vegetales.
6	BATIR, HACER CREMAS	Para batir a velocidad media rápida (para hacer cremas). Utilice para finalizar las mezclas para pasteles, donas y otras mezclas. Velocidad alta para mezclas para pasteles. Utilice con el accesorio exprimidor de cítricos.
8	BATIR O MEZCLAR, RÁPIDAMENTE	Para batir crema, claras de huevos y glaseados hervidos.
10	MEZCLAR RÁPIDAMENTE	Para mezclar rápidamente pequeñas cantidades de crema o claras de huevos. Utilice con el accesorio fabricante de pastas y el molino de granos.

NOTA: Es posible que la batidora no mantenga las velocidades rápidas con cargas pesadas, por ejemplo, cuando se utiliza el accesorio fabricante de pastas y el molino de granos. Esto es normal.

NOTA: La palanca de control de la velocidad puede ubicarse entre las velocidades que se mencionan en el cuadro anterior para obtener las velocidades 3, 5, 7 y 9 en caso que sea necesario un ajuste más sutil.

Use la Velocidad 2 cuando prepare masa con levadura - el uso de cualquier otra velocidad puede dañar la batidora.

CONSEJOS ÚTILES PARA MEZCLAR

Cómo convertir su receta para la batidora

Las instrucciones de mezclado para las recetas de este libro pueden guiarlo para convertir sus recetas favoritas y así poder prepararlas con su batidora con base KitchenAid®. Busque recetas similares a las suyas y luego, adapte sus recetas para utilizarlas con los procedimientos de las recetas similares de KitchenAid.

Por ejemplo, el método de "mezclado rápido" (a veces llamado método de "vertido") es ideal para pasteles simples como el Pastel amarillo rápido y el Pastel blanco fácil que se incluyen en este libro. Este método consiste en ligar los ingredientes secos con la mayoría o todos los ingredientes líquidos en un solo paso.

Los pasteles más elaborados (con crema y frutos) deben prepararse utilizando el método tradicional de mezclado para pasteles. Con este método, el azúcar y la materia grasa, la mantequilla o margarina se mezclan bien (adquieren una consistencia cremosa) antes de que se añadan otros ingredientes.

Es posible que los tiempos de batido cambien para todos los pasteles ya que su batidora con base KitchenAid® funciona más rápido que otras batidoras. En general, mezclar un pastel con la batidora con base KitchenAid® llevará aproximadamente la mitad del tiempo que se requiere para la mayoría de las recetas tradicionales y de las que no vienen en los paquetes.

Para ayudar a determinar el tiempo de mezclado ideal, observe la mezcla o la masa y mezcle sólo hasta que adquiera el aspecto deseado que se describe en su receta, como por ejemplo "homogénea y cremosa".

Para seleccionar las mejores velocidades de mezclado, consulte la sección "Guía para el control de la velocidad".

Cómo añadir ingredientes

Siempre añada los ingredientes lo más cerca del lateral del bol como sea posible, no directamente en el batidor en movimiento. El protector de vertido puede utilizarse para añadir los ingredientes de manera más fácil.

NOTA: Si los ingredientes del fondo del bol no se mezclan bien es porque el batidor no está lo suficientemente dentro del bol. Consulte la sección "Distancia entre el batidor y el bol".

Mezclas para pasteles

Cuando prepara mezclas para pasteles que vienen en los paquetes, utilice la velocidad 2 para una velocidad baja, la velocidad 4 para una velocidad media y la velocidad 6 para una velocidad alta. Para obtener los mejores resultados, mezcle durante el tiempo especificado en las instrucciones del paquete.

Cómo añadir nueces, pasas o frutas confitadas

Para las pautas sobre cómo añadir estos ingredientes, siga cada receta en particular. En general, los materiales sólidos deben incorporarse en los últimos segundos del mezclado a velocidad "revolver". La mezcla debe ser lo suficientemente espesa como para evitar que las frutas secas o confitadas se depositen en el fondo del molde durante el horneado. Las frutas pegajosas deben espolvorearse con harina para que se distribuyan mejor en la mezcla.

Mezclas líquidas

Las mezclas que contienen grandes cantidades de ingredientes líquidos deben mezclarse a velocidades más lentas para evitar salpicaduras. Incremente la velocidad sólo después de que la mezcla se haya espesado.

CLARAS DE HUEVO

Coloque las claras a temperatura ambiente en un bol limpio y seco. Coloque el bol y el batidor de alambre. Para evitar salpicaduras, gire gradualmente hasta la velocidad designada y bata hasta obtener el punto deseado. Vea el siguiente cuadro.

CANTIDAD

1 clara de huevo ... GRADUALMENTE
hasta 10

2+ claras de huevo...GRADUALMENTE
hasta 8

VELOCIDAD

Puntos de batido

Con su batidora KitchenAid®, las claras de huevo se baten rápidamente. Por lo tanto, tenga cuidado para no batir más de lo necesario. Esta lista le indica qué esperar.

Espumoso

Burbujas de aire grandes y dispares.

Comienza a tomar forma

Las burbujas de aire son sutiles y compactas. El producto es blanco.

Pico suave

Las puntas de los picos caen cuando se quita el batidor de alambre.

Casi rígido

Cuando se quita el batidor de alambre, se forman picos puntiagudos, pero las claras están suaves.

Rígido pero no seco

Cuando se quita el batidor de alambre, se forman picos puntiagudos y rígidos. Las claras tienen color y brillo uniformes.

Rígido y seco

Cuando se quita el batidor de alambre, se forman picos puntiagudos y rígidos. Aparentemente, las claras tienen pequeñas manchitas y son opacas.

CREMA BATIDA

Vierta crema para batir fría en un bol frío. Coloque el bol y el batidor de alambre. Para evitar salpicaduras, cambie gradualmente hasta la velocidad designada y bata hasta obtener el punto deseado. Vea el siguiente cuadro.

CANTIDAD

¼ - ¾ de taza GRADUALMENTE
(60 mL - 175 mL) hasta 10

1+ tazas GRADUALMENTE
(235 mL +) hasta 8

VELOCIDAD

Puntos de batido

Observe la crema con atención mientras bate. Debido a que su batidora KitchenAid® bate tan rápido, sólo hay unos pocos segundos entre los puntos de batido. Busque estas características:

Comienza a espesarse

La crema es espesa y tiene la consistencia de la natilla.

Conserva su forma

Cuando se quita el batidor de alambre, la crema forma picos suaves. Puede incorporarse a otros ingredientes cuando se hacen postres y salsas.

Rígido

Cuando se quita el batidor de alambre, la crema forma picos rígidos y puntiagudos. Utilice como cobertura para pasteles y postres, como relleno para bombas de crema.

ACCESORIOS

Información general

Los accesorios KitchenAid® están diseñados para garantizar una larga vida útil. El eje de potencia y el conector del centro de conexión para accesorios son cuadrados para evitar que se resbalen durante la transmisión de energía al accesorio. El alojamiento del eje y del centro de conexión es estrecho para garantizar un ajuste preciso, aun luego de un uso y desgaste prolongado. Los accesorios KitchenAid® no precisan una unidad de potencia adicional para funcionar ya que poseen una incorporada.

Consulte el Manual de uso y cuidado para ver los ajustes de velocidad y tiempos de funcionamiento de los accesorios de la batidora con base.



INSTRUCCIONES GENERALES

Para conectar

1. Haga girar el control de la velocidad hasta la posición OFF (APAGADO).
2. Desenchufe la batidora o desconecte la energía.
3. Afloje la perilla para accesorios girándola a la izquierda y quite la cubierta del centro de conexión para accesorios o levante la cubierta abisagrada del mismo.
4. Inserte el alojamiento del eje para accesorios en el centro de conexión para accesorios asegurándose de que el eje de potencia para accesorios encaje en el conector del centro de conexión cuadrado. Es posible que sea necesario girar el accesorio hacia atrás y hacia adelante. Cuando el accesorio se encuentre en la posición adecuada, la clavija del accesorio encajará en la ranura que se encuentra sobre el borde del centro de conexión.
5. Ajuste la perilla para accesorios girándola en sentido horario hasta que el accesorio esté completamente afirmado en la batidora.

⚠ ADVERTENCIA



Peligro de Choque Eléctrico
Conecte a un contacto de pared de conexión a tierra de 3 terminales.
No quite la terminal de conexión a tierra.
No use un adaptador.
No use un cable eléctrico de extensión.
No seguir estas instrucciones puede ocasionar la muerte, incendio o choque eléctrico.

6. Conecte a un contacto de pared de conexión a tierra de 3 terminales.

Para quitar

1. Haga girar el control de la velocidad hasta la posición OFF (APAGADO).
2. Desenchufe la batidora o desconecte la energía.
3. Afloje la perilla para accesorios girándola a la izquierda. Gire el accesorio levemente hacia atrás y hacia adelante mientras que jala hacia afuera.
4. Vuelva a colocar la cubierta del centro de conexión para accesorios. Ajuste la perilla para accesorios girándola a la derecha.