

This Owner's Manual is provided and hosted by [Appliance Factory Parts](#).



# KITCHENAID KSM500SM0 Owner's Manual

[Shop genuine replacement parts for KITCHENAID  
KSM500SM0](#)

**KitchenAid®**

[Find Your KITCHENAID Mixer Parts - Select From 532 Models](#)

----- Manual continues below -----

# PARTS LIST

for

# **KitchenAid®**

## **5 QT. STAND MIXER**

### **PRO 500 – LIFT**

#### **MODELS:**

**KSM500SM0 (Silver Metallic)**

**KSM500ER0 (Empire Red)**

**KSM500OB0 (Onyx Black)**

**KSM500WH0 (White)**



FOR CUSTOMER SATISFACTION ALWAYS USE  
FACTORY SPECIFICATION PARTS

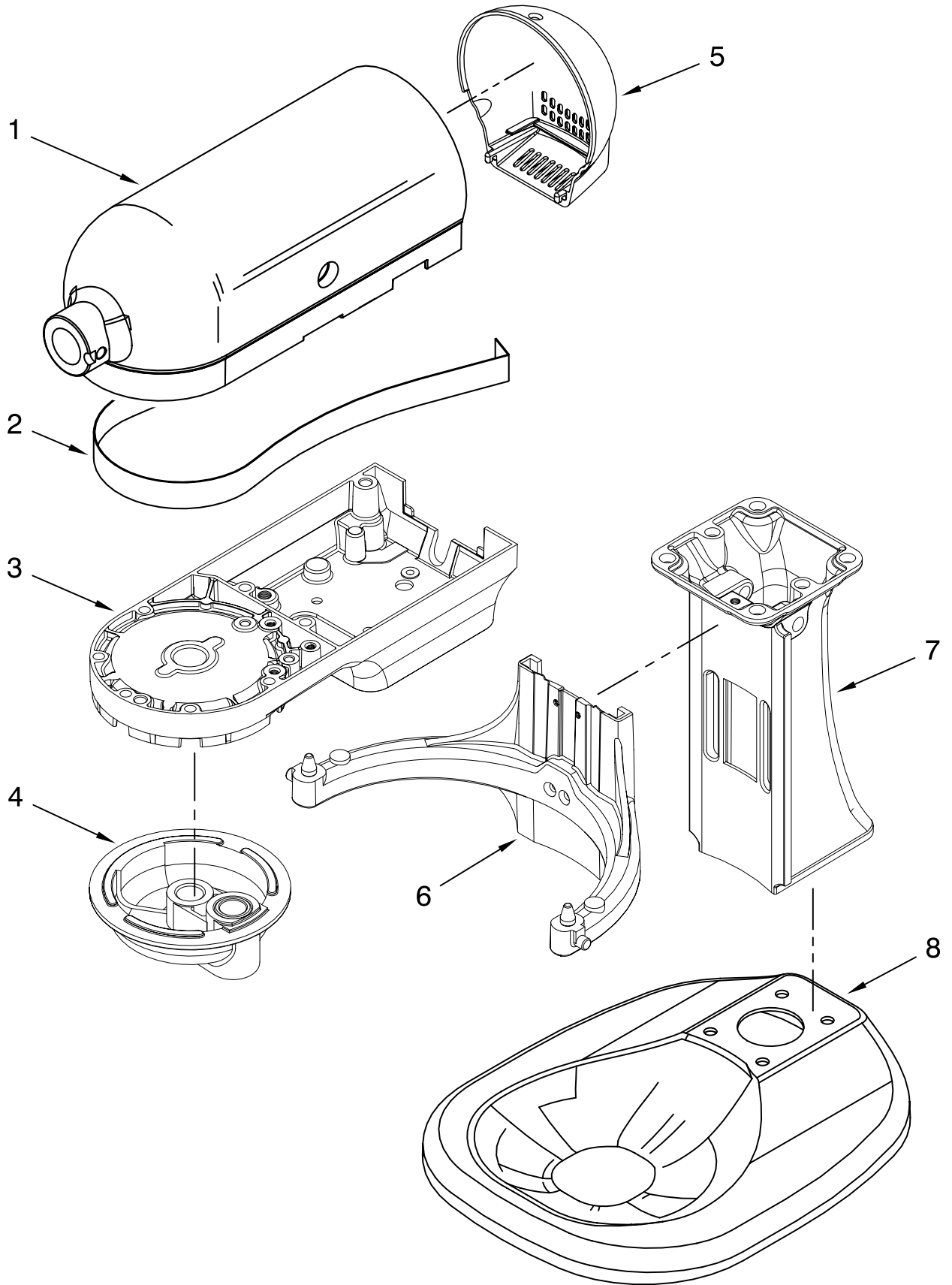


KITCHENAID

ST. JOSEPH MICHIGAN 49085

# COLOR VARIATION PARTS

For Models: KSM500\_0



FOR ORDERING INFORMATION REFER TO PARTS PRICE LIST

# COLOR VARIATION PARTS

For Models: KSM500\_\_0

<b>Illus. No.</b>	<b>Part No.</b>	<b>DESCRIPTION</b>
1		Motor Housing
	W10121193	Silver Metallic
	240291-21	Empire Red
	240291-13	Onyx Black
	240291-1	White
2		Trim Band
	W10158179	Black
3		Lower Gearcase
	W10158521	Silver Metallic
	9704499	Empire Red
	240354-43	Onyx Black
	240354-3	White
4		Planetary
	W10121190	Silver Metallic
	240286-23	Empire Red
	240286-16	Onyx Black
	240286-1	White
5		End Cover
	W10121188	Silver Metallic
	240253-22	Empire Red
	240253-14	Onyx Black
	240253-1	White
6		Bowl Support And Pins
	W10158518	Silver Metallic
	3179318	Empire Red
	3179311	Onyx Black
	3179300	White
7		Column
	W10158516	Silver Metallic
	9702393	Empire Red
	240148-15	Onyx Black
	240148-4	White
8		Base & Foot Assembly
	W10158515	Silver Metallic
	3179299	Empire Red
	3179292	Onyx Black
	3179280	White

Colors Subject To Change.  
Any Color Not Listed is  
No Longer Available.  
If Additional Colors Are Added,  
This Page Will Be Updated.

FOR ORDERING INFORMATION REFER TO PARTS PRICE LIST



# CASE, GEARING AND PLANETARY UNIT

For Models: KSM500\_\_0

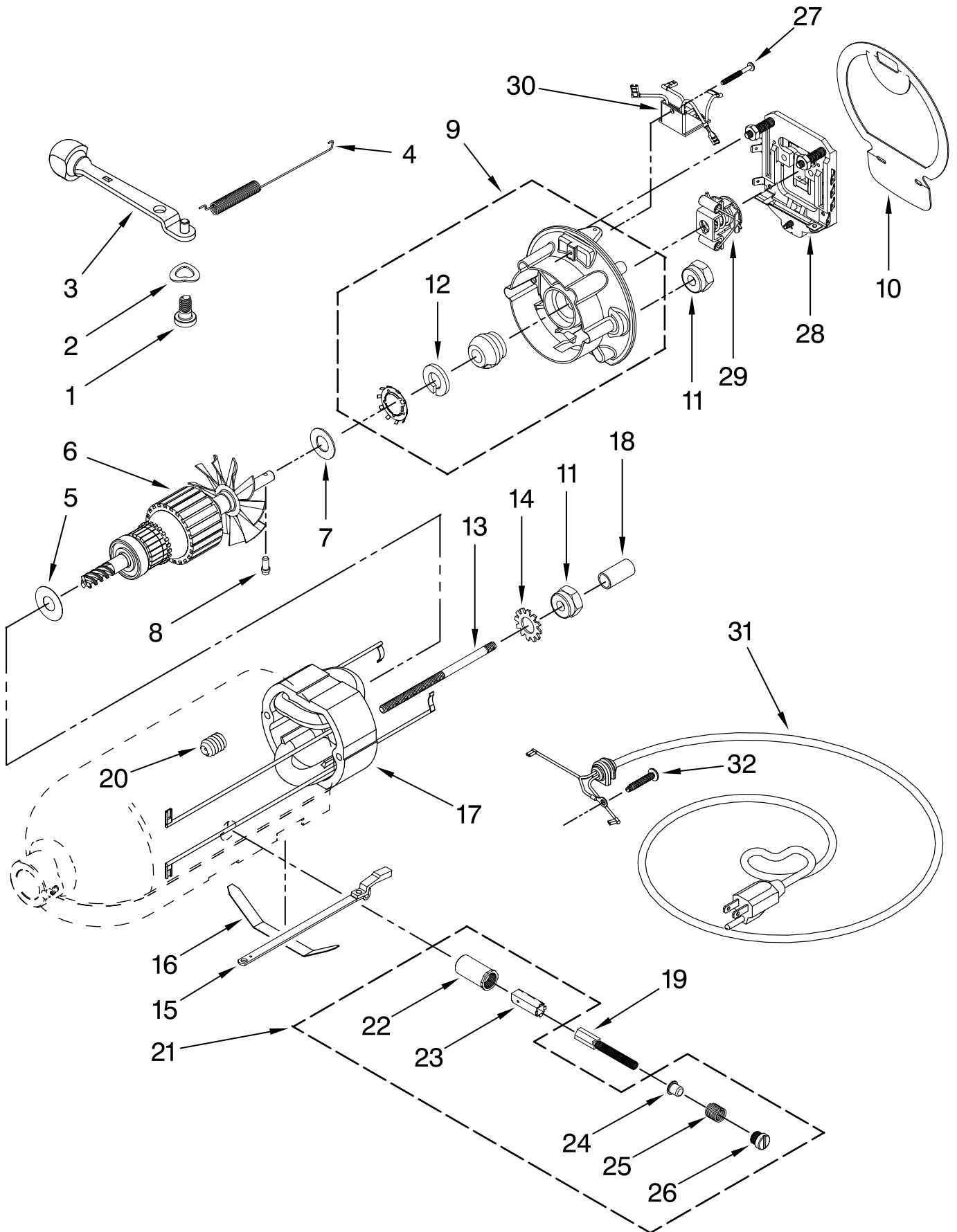
<b>Illus. No.</b>	<b>Part No.</b>	<b>DESCRIPTION</b>
1	**	Motor Housing
2	242765-2	Cap, Attachment Hub
3	9709194	Thumb Screw
4	**	Band, Trim
5	3180161	Washer, Fiber
6	W10112253	Gear, Worm
7	240308	Worm Gear Bracket and Bearing
8	9705444	Pin
9	240210-2	Shaft & Pinion
10	9705130	Gear, Attachment Hub Bevel
11	9709627	Bevel Pinion and Center Gear
12	240026	Shaft, Vertical Center
13	240018-1	Pin (Vertical Center Shaft)
14	9705443	Pin, Groove
15	4162324	Gasket, Transmssn
16	67500-55	"O" Ring
17	3180163	Washer
18	**	Lower Gearcase
19	103994	Screw
20	4176067	Shaft, Agitator
21	9703438	Ring, Retaining
22	9704677	Pin, Groove
23	4162914	Screw
24	**	Cover, End
25	311932	Screw
26	3400022	Screw
27	240309-2	Worm Gear Bracket and Gear
28	4160474	Center Shaft and "O" Ring
30	3400025	Screw
31	3400026	Screw
32	9703903	Pinion, Gear (Agitator Shaft)
33	9706090	Washer, Shim
34	**	Planetary
35	240285	Ring, Planetary Drip
36	9703904	Gear, Internal

\*\*Refer to Page 3  
Color Variation Parts

FOR ORDERING INFORMATION REFER TO PARTS PRICE LIST

# MOTOR AND CONTROL PARTS

For Models: KSM500\_0



FOR ORDERING INFORMATION REFER TO PARTS PRICE LIST

# MOTOR AND CONTROL PARTS

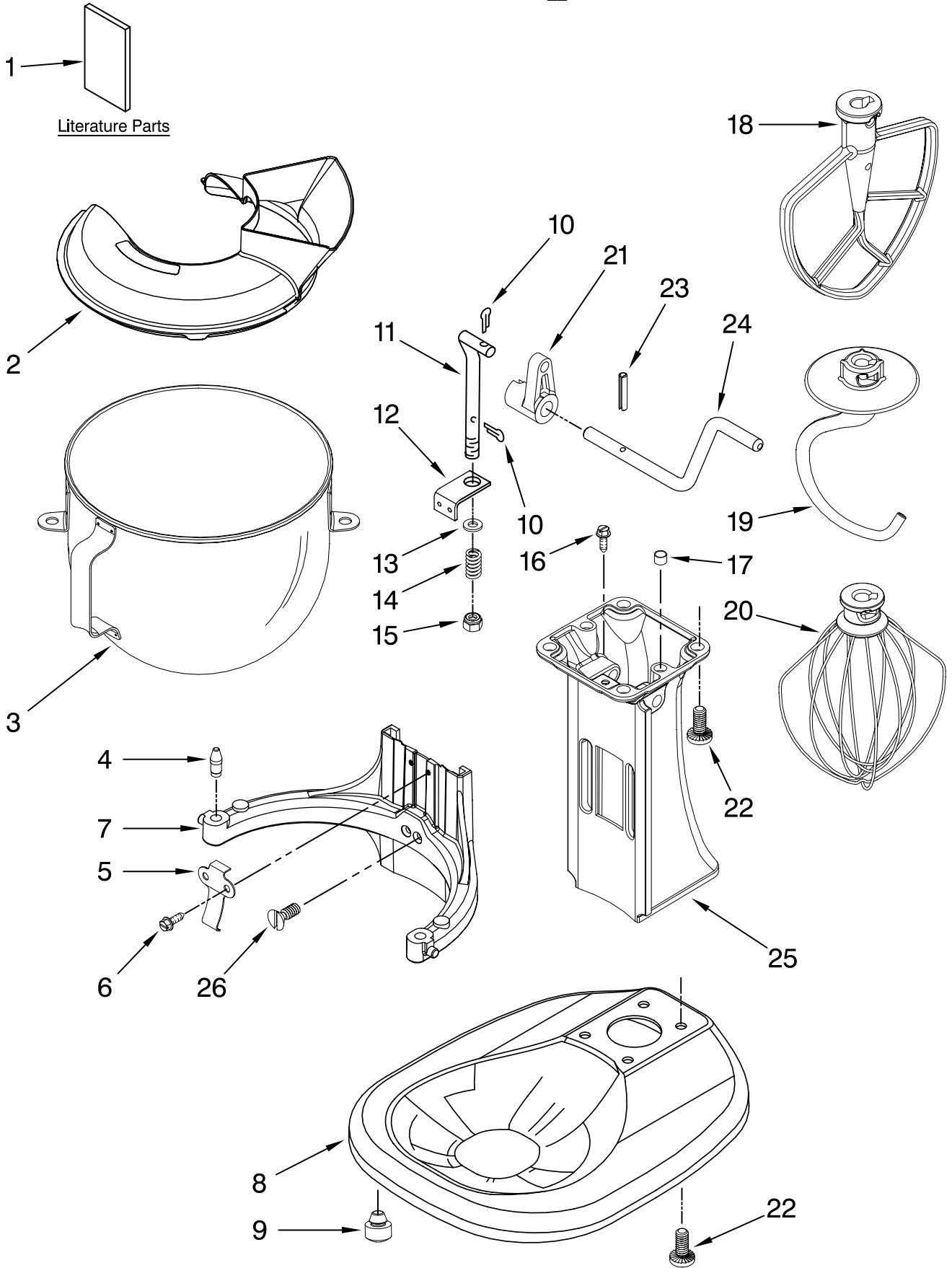
For Models: KSM500\_\_0

<b>Illus. No.</b>	<b>Part No.</b>	<b>DESCRIPTION</b>
1	110679	Screw, Pivot
2	116241	Washer, Spring
3		Lever, Speed Control Assembly
	9709276	Black
4	3183680	Spring, Control Plate
5	9704324	Washer, Ball Bearing (Front)
6	9708315	Armature & Bearing Assembly
7	3180162	Washer
8	16998	Stud, Governor Drv
9	3180526	Bracket, Bearing Assembly
10	240775-1	Seal, End
11	W10131078	Nut
12	3180238	Washer
13	240769	Screw, Stator
14	W10068270	Washer, Lock
15	3184176	Speed Link & Cam
16	240205	Spring, Flat
17	9702695	Field Assembly
18	4162634	Sleeve, Motor Stud
19	9706416	Brush & Spring Assembly
20	9707926	Screw, Set
21	4162546	Brush Holder Assy
22	3179908	Housing, Brush Holder
23	240680	Insert, Brush Holder
24	116286	Cap, Spring Seat
25	116287	Spring, Cap
26	3184212	Cap, Brush Holder
27	W10068260	Screw
28	W10119326	Control Plate Assembly
29	17830	Governor Assembly
30	9706595	Phase Control Board
31		Cord, Power
	W10164883	Black
	W10164882	White
32	3184609	Screw, Self Tap

FOR ORDERING INFORMATION REFER TO PARTS PRICE LIST

# BASE AND PEDESTAL UNIT

For Models: KSM500\_0



FOR ORDERING INFORMATION REFER TO PARTS PRICE LIST

# BASE AND PEDESTAL UNIT

For Models: KSM500\_\_0

<b>Illus. No.</b>	<b>Part No.</b>	<b>DESCRIPTION</b>
1		Literature Parts
	9706634	Use & Care Guide
	W10168434	Repair Parts List
2	9709923	Shield, Pouring
3	4162161	Bowl, 5 Qt.
4	240185	Pin, Bowl Locating
5	3182857	Latch, Bowl Spring
6	3400024	Screw
7	**	Bowl Support & Pns
8	**	Base & Foot Assy
9	9708649	Foot
10	9704608	Pin, Cotter
11	9085	Rod, Bowl Lift
12	240169	Bracket, Bowl Lift
13	WS00323	Washer
14	9237	Spring
15	8533907	Nut
16	3182904	Screw
17	3180500	Pin, Dowel
18	240235-4	Beater, Flat
19	3183233	Hook, Dough
20	9704309	Whip, Wire
21	241764	Arm, Bowl Lift
22	240912	Screw
23	9703442	Pin, Roll
24	9079	Handle, Bowl Lift
25	**	Column Assembly
26	3400018	Screw

\*\*Refer to Page 3  
Color Variation Parts

FOR ORDERING INFORMATION REFER TO PARTS PRICE LIST

# ACCESSORY PARTS

For Models: KSM500\_\_0

<b>Illus.</b>	<b>Part</b>	
<b>No.</b>	<b>No.</b>	<b>DESCRIPTION</b>

---

**FOLLOWING PARTS  
NOT ILLUSTRATED**

---

4164778	Mixer Attachment Pak (Includes Food Grinder (FG-A), Food Strainer (FVSP), And Vegetable Slicer, (RVS-A) (FPP-A)
4164749	Food Grinder (FGA)
8211924	Grain Mill (KGMA)
4164768	Pasta Maker And Food Grinder (Includes SNP Pasta Maker Plates) (SN/FG-A)
4164775	Fruit/Vegetable Strainer Parts (Use With FG-A Model Only) (FVSP)
4164750	Rotor Slicer/Shredder (With 4 Standard Cones) Fine Shredder, Coarse Shredder, Thick Slicer, And Thin Slicer (RVS-A)
3177975	Pouring Shield (KPS2CL)
4164824	Pasta Maker Plates (SNP-A)
4164774	Fruit/Vegetable Strainer And Food Grinder (FVS/FG-A)
3180616	Cover, Decorative (Cotton Polyester)
4162838	Food Tray (FT)
4164748	Juicer (JE)
4164747	Can Opener (CO)
4164803	Sausage Stuffer Kit (SSA)
4162154	Water Jacket (K5AWJ)
3177925	Bowl Cover, Plastic Non-Sealing
4176100	5 Qt. Bowl, Polished Stainless Steel
4164839	Speed Disc (Service Tool)
4160588	Grease, Planetary
8212519	Ice Cream Maker (KICA0WH0)

FOR ORDERING INFORMATION REFER TO PARTS PRICE LIST