

This Owner's Manual is provided and hosted by [Appliance Factory Parts](#).



KITCHENAID KSM90PSMC0 Owner's Manual

[Shop genuine replacement parts for KITCHENAID
KSM90PSMC0](#)

KitchenAid®

[Find Your KITCHENAID Mixer Parts - Select From 532 Models](#)

----- Manual continues below -----

PARTS LIST

for

KitchenAid®

4 1/2 QT. STAND MIXER

ULTRA POWER TILT

MODELS:

| | |
|------------------------------|-------------------------------|
| KSM90PSWH0 (White) | 4KSM90PSCP0 (Satin Copper) |
| KSM90PSCP0 (Satin Copper) | 4KSM90PSBU0 (Cobalt Blue) |
| KSM90PSBU0 (Cobalt Blue) | 4KSM90PSNK0 (Brushed Nickel) |
| KSM90PSNK0 (Brushed Nickel) | 4KSM90PSMC0 (Metallic Chrome) |
| KSM90PSMC0 (Metallic Chrome) | 4KSM90PSGR0 (Imperial Grey) |
| KSM90PSGR0 (Imperial Grey) | 4KSM90PSOB0 (Onyx Black) |
| KSM90PSOB0 (Onyx Black) | 4KSM90PSGN0 (Empire Green) |
| KSM90PSGN0 (Empire Green) | 4KSM90PSAC0 (Almond Creme) |
| KSM90PSAC0 (Almond Creme) | 4KSM90PSER0 (Empire Red) |
| KSM90PSER0 (Empire Red) | 4KSM90PSMY0 (Majestic Yellow) |
| KSM90PSMY0 (Majestic Yellow) | 4KSM90PSPK0 (Pink) |
| KSM90PSPK0 (Pink) | 4KSM90PSCR0 (Chrome) |
| KSM90PSCR0 (Chrome) | 4KSM90PSWW0 (White on White) |
| KSM90PSBC0 (Black Chrome) | 4KSM90PS7WH0 (White) |
| KSM90PSCV0 (Cavier) | 4KSM90PS7BU0 (Cobalt Blue) |
| KSM90PSWW0 (White on White) | 4KSM90PS7OB0 (Onyx Black) |
| 4KSM90PSWH0 (White) | 4KSM90PS7ER0 (Empire Red) |

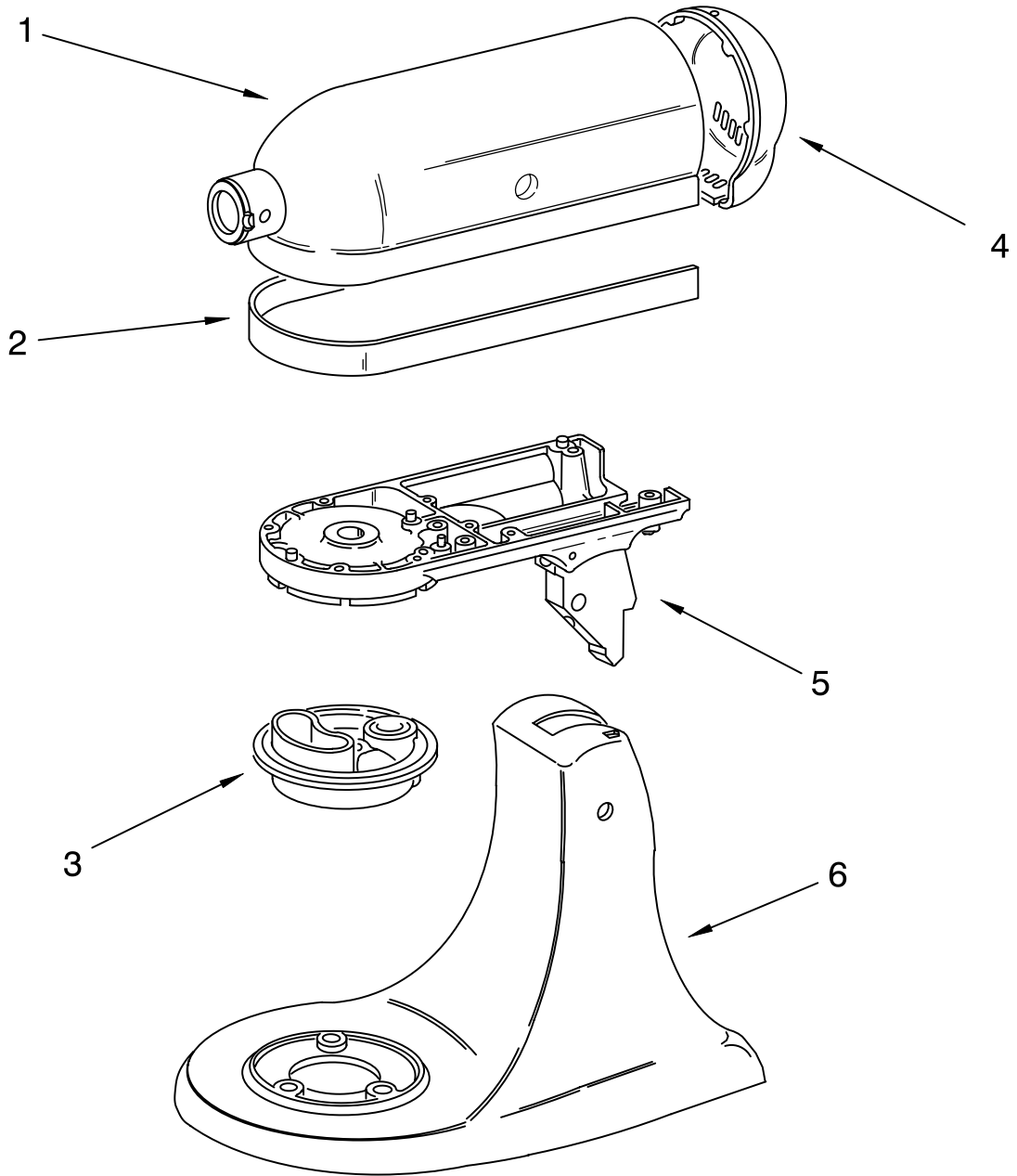


FOR CUSTOMER SATISFACTION ALWAYS USE
FACTORY SPECIFICATION PARTS



COLOR VARIATION PARTS

FOR MODELS: KSM90PS__0



FOR ORDERING INFORMATION REFER TO PARTS PRICE LIST

COLOR VARIATION PARTS

FOR MODELS: KSM90PS__0

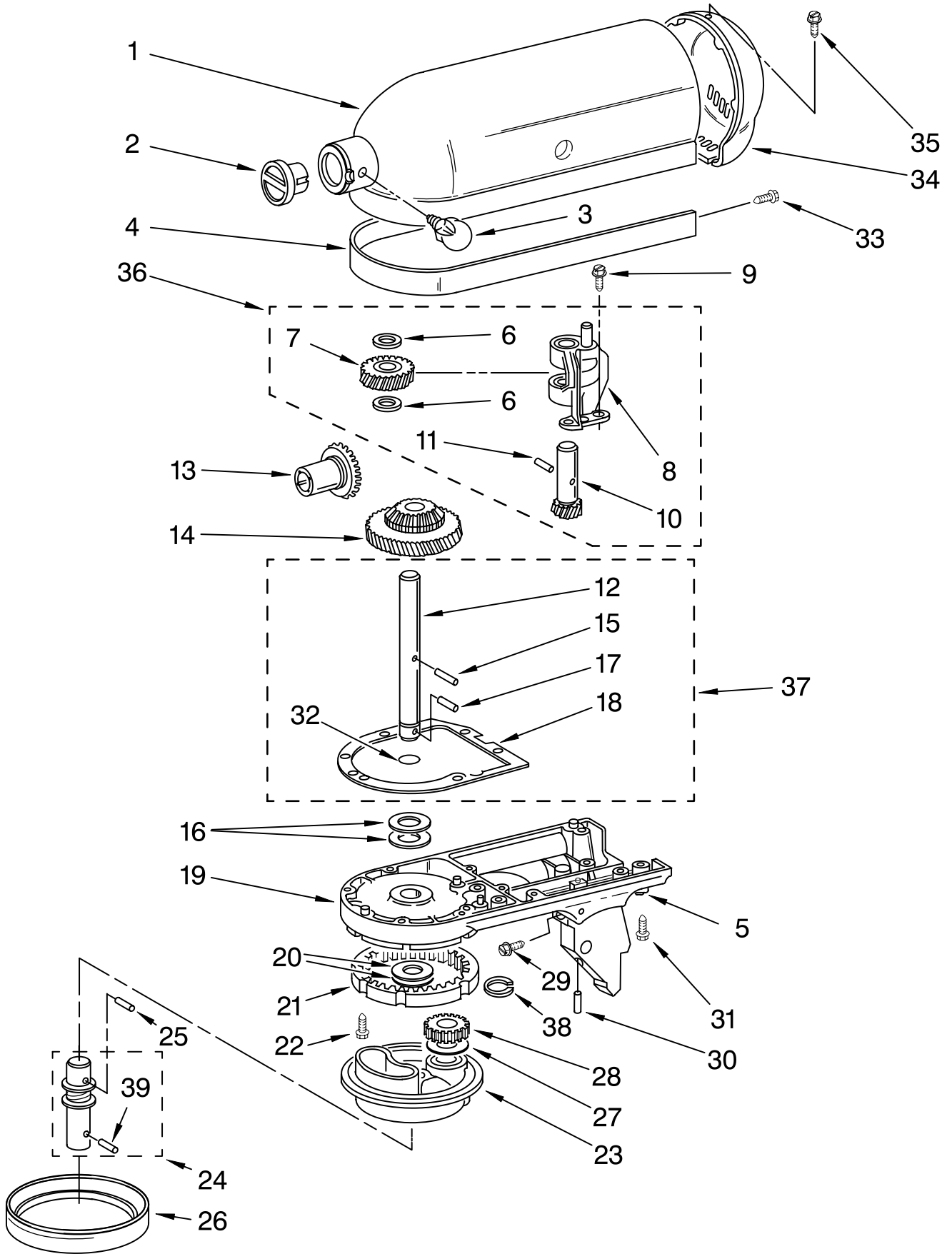
| Illus. No. | Part No. | DESCRIPTION | Illus. No. | Part No. | DESCRIPTION | Illus. No. | Part No. | DESCRIPTION |
|------------|-----------|-----------------|------------|-----------|-----------------|------------|-----------|-----------------|
| 1 | | Motor Housing | 4 | | End Cover | 6 | | Pedestal |
| | 240291-1 | White | | 240253-1 | White | | 240151-1 | White |
| | 9704752 | Satin Copper | | 9704757 | Satin Copper | | 9704747 | Satin Copper |
| | 240291-7 | Cobalt Blue | | 240253-8 | Cobalt Blue | | 240151-8 | Cobalt Blue |
| | 9706270 | Nickel | | 9706268 | Nickel | | 9706264 | Nickel |
| | 9704025 | Metallic Chrome | | 4176449 | Metallic Chrome | | 9706682 | Metallic Chrome |
| | 240291-22 | Imperial Gray | | 240253-23 | Imperial Gray | | 240151-21 | Imperial Gray |
| | 240291-13 | Onyx Black | | 240253-14 | Onyx Black | | 240151-13 | Onyx Black |
| | 240291-10 | Empire Green | | 240253-11 | Empire Green | | 240151-11 | Empire Green |
| | 240291-16 | Almond Creme | | 240253-16 | Almond Creme | | 240151-15 | Almond Creme |
| | 4176227 | Royal Crimson | | 4176224 | Royal Crimson | | 4176229 | Royal Crimson |
| | 240291-21 | Empire Red | | 240253-22 | Empire Red | | 240151-20 | Empire Red |
| | 240291-20 | Majestic Yellow | | 240253-21 | Majestic Yellow | | 240151-19 | Majestic Yellow |
| | 9706473 | Pink | | 9706469 | Pink | | 9706467 | Pink |
| | 4176337 | Chrome | | 4176339 | Chrome | | 4176335 | Chrome |
| | 9704004 | Black Chrome | | 4176449 | Black Chrome | | 9704000 | Black Chrome |
| | 9705243 | Caviar | | 9705241 | Caviar | | 9705237 | Caviar |
| 2 | | Trim Band | 5 | | Lower Gearcase | | | |
| | 9702645 | Black | | 240350-4 | White | | | |
| | 9702633 | Chrome | | 9704749 | Satin Copper | | | |
| | 9704530 | Royal Blue | | 240350-31 | Cobalt Blue | | | |
| | 9702635 | Brown/Red | | 9706269 | Nickel | | | |
| | 9701264 | White/Grey | | 9706662 | Metallic Chrome | | | |
| | 9701468 | Almond Creme | | 240350-86 | Imperial Gray | | | |
| 3 | | Planetary | | 240350-56 | Onyx Black | | | |
| | 240286-1 | White | | 240350-46 | Empire Green | | | |
| | 9704755 | Satin Copper | | 240350-62 | Almond Creme | | | |
| | 240286-10 | Cobalt Blue | | 4176221 | Royal Crimson | | | |
| | 9706271 | Nickel | | 240350-84 | Empire Red | | | |
| | 9706670 | Metallic Chrome | | 240350-82 | Majestic Yellow | | | |
| | 240286-24 | Imperial Gray | | 9706471 | Pink | | | |
| | 240286-16 | Onyx Black | | 9701398 | Chrome | | | |
| | 240286-13 | Empire Green | | 9704002 | Black Chrome | | | |
| | 240286-18 | Almond Creme | | 9706911 | Caviar | | | |
| | 4176226 | Royal Crimson | | | | | | |
| | 240286-23 | Empire Red | | | | | | |
| | 240286-22 | Majestic Yellow | | | | | | |
| | 9706475 | Pink | | | | | | |
| | 4176338 | Chrome | | | | | | |
| | 9704006 | Black Chrome | | | | | | |
| | 9705244 | Caviar | | | | | | |

Colors Subject To Change.
Any Color Not Listed is
No Longer Available.
If Additional Colors Are Added,
This Page Will Be Updated.

FOR ORDERING INFORMATION REFER TO PARTS PRICE LIST

CASE, GEARING AND PLANETARY UNIT

FOR MODELS: KSM90PS__0



FOR ORDERING INFORMATION REFER TO PARTS PRICE LIST

CASE, GEARING AND PLANETARY UNIT

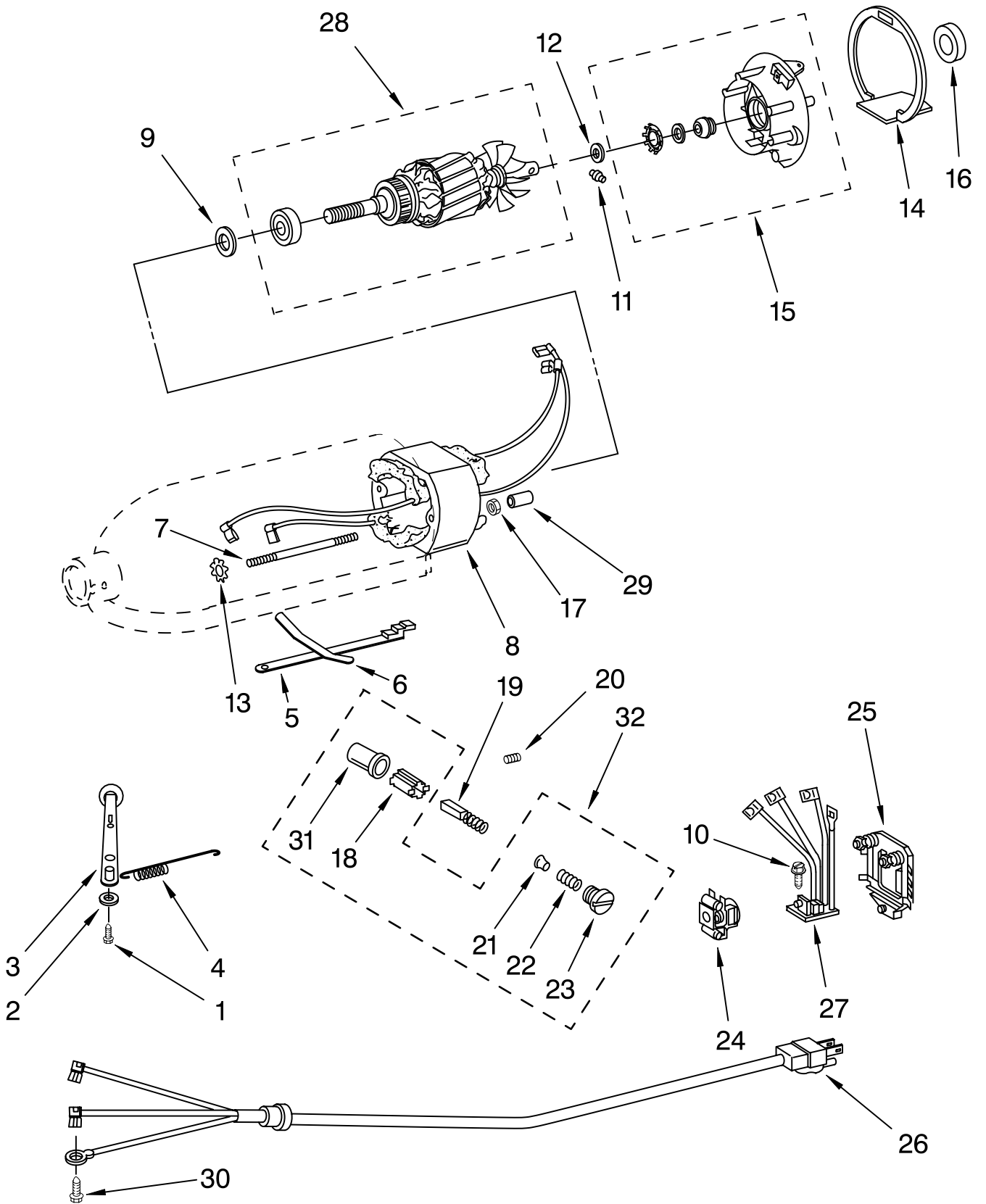
FOR MODELS: KSM90PS__0

| Illus. No. | Part No. | DESCRIPTION | Illus. No. | Part No. | DESCRIPTION | Illus. No. | Part No. | DESCRIPTION |
|---------------|-------------|-------------------------------|---------------|-------------|-----------------------------|---------------|-------------|-----------------------------|
| 1 | ** | Gearcase Motor Housing | 12 | 240026 | Shaft, Vertical Center | 24 | 4176067 | Agitator Shaft |
| 2 | | Cap, Attachment Hub | 13 | 9705130 | Gear, Attachment Hub Bevel | 25 | 240018-1 | Pin (Agitator Shaft Pinion) |
| | 242765-2 | Chrome | 14 | 9703905 | Bevel Pinion & Center Gear | 26 | 240285 | Ring, Planetary Drip |
| | 242765-4 | White | 15 | 240018-1 | Pin (Vertical Center Shaft) | | 240285-2 | Polished |
| 3 | | Thumb Screw | 16 | 3180163 | Washer | 27 | 3180160 | Washer, Shim |
| | 4162142 | Black | 17 | 9705443 | Pin, Grooved | 28 | 9703903 | Pinion, Gear |
| | 240374-2 | Storm Gray | 18 | 4162324 | Gasket, Transmission Case | 29 | 4160413 | Screw, Adjusting |
| | 240374-3 | Buff | 19 | ** | Lower Gear Case | 30 | 3400203 | Screw, Set |
| 4 | ** | Band, Trim | 20 | 3180163 | Washer | 31 | 3400025 | Screw, Machine |
| 5 | WL00320 | Lock Washer, | 21 | 9703904 | Gear, Internal | 32 | 67500-55 | "O" Ring |
| 6 | 3180161 | Washer | 22 | 103994 | Screw | 33 | 311932 | Screw |
| 7 | 4162897 | Worm Gear | 23 | ** | Planetary | 34 | ** | Cover, End |
| 8 | 240308 | Worm Gear Bracket And Bearing | | | | 35 | 4162914 | Screw |
| 9 | 3400022 | Screw And L.W. Assy. | | | | 36 | 240309-2 | Worm Gear Bracket And Gear |
| 10 | 240210-2 | Shaft & Pinion | | | | 37 | 4160474 | Center Shaft & "O" Ring |
| 11 | 9705444 | Pin, Grooved | | | | 38 | 9703438 | Ring |
| | | | | | | 39 | 9704677 | Pin, Groove |

FOR ORDERING INFORMATION REFER TO PARTS PRICE LIST

MOTOR AND CONTROL PARTS

FOR MODELS: KSM90PS__0



FOR ORDERING INFORMATION REFER TO PARTS PRICE LIST

MOTOR AND CONTROL PARTS

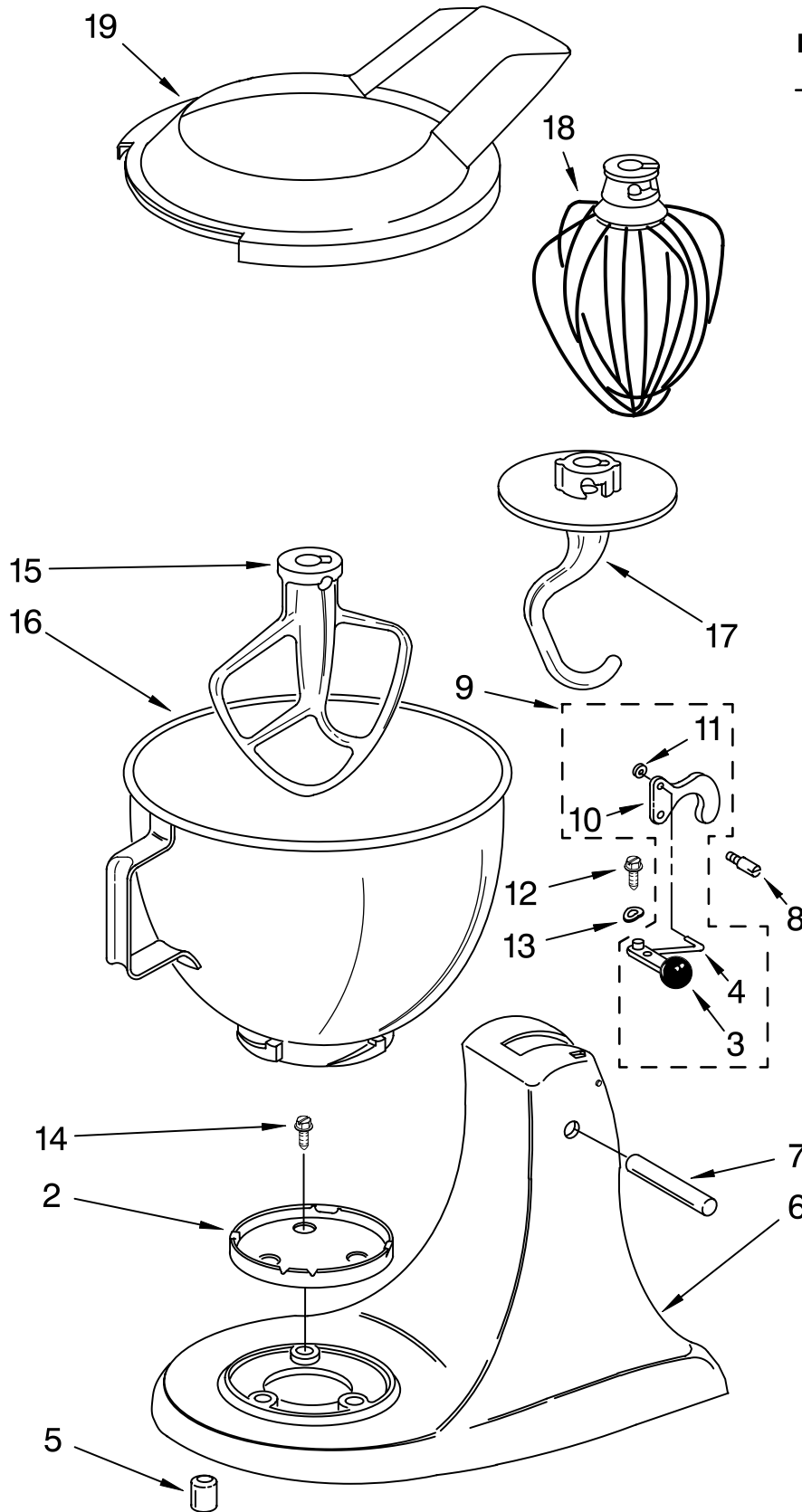
FOR MODELS: KSM90PS__0

| Illus. No. | Part No. | DESCRIPTION |
|-----------------------|---------------------|---------------------------|
| 1 | 110679 | Screw, Pivot |
| 2 | 116241 | Washer, Spring |
| 3 | | Switch Lever And Stud |
| | 3184193 | Black |
| | 3184194 | Storm Grey |
| | 3184195 | Buff |
| 4 | 3183680 | Spring, Control Plate |
| 5 | 3184176 | Speed Link & Cam |
| 6 | 240205 | Spring, Flat |
| 7 | 240769 | Screw |
| 8 | 9702695 | Field Assembly |
| 9 | 9704324 | Washer, Bearing |
| 10 | 3400402 | Screw, Self Tapping |
| 11 | 16998 | Stud, Governor Drive |
| 12 | 3180162 | Washer |
| 13 | 3400900 | Washer |
| 14 | 3184356 | Seal, End |
| 15 | 3180526 | Bracket, Bearing Asm. |
| 16 | 3180238 | Washer |
| 17 | 8533905 | Nut, Machine |
| 18 | 240680 | Insert, Brush Holder |
| 19 | 9706416 | Brush, Carbon |
| 20 | 9707926 | Screw, Set |
| 21 | 116286 | Cap, Spring Seat |
| 22 | 116287 | Spring, Cap |
| 23 | | Cap, Brush Holder |
| | 3184212 | Black |
| | 3184211 | White |
| | 3184213 | Almond Creme |
| 24 | 17830 | Governor Assembly |
| 25 | 240904-2 | Control Plate Assembly |
| 26 | | Power Cord |
| | 9701025 | White |
| | 9701026 | Black |
| 27 | 9706595 | Phase Control Board |
| 28 | 9708315 | Armature & Bearing |
| 29 | 4162634 | Sleeve, Motor Stud |
| 30 | 3184609 | Screw, Ground |
| 31 | 3179908 | Housing, Brush Holder |
| 32 | 4162546 | Brush Holder |

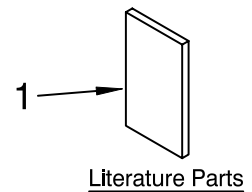
FOR ORDERING INFORMATION REFER TO PARTS PRICE LIST

BASE AND PEDESTAL UNIT

FOR MODELS: KSM90PS__0



| Illus. No. | Part No. | DESCRIPTION |
|------------|----------|--------------------------------------|
| 1 | | Literature Parts Use & Care Guide |
| | 9707917 | U.S. |
| | 9707352 | Canada |
| | 8212057 | Repair Parts List |
| 2 | 4163032 | Screw Cap Kit |
| 3 | | Lever, Latch |
| | 4176024 | Black |
| | 242928-2 | Storm Gray |
| 4 | 24450 | Link, Latch |
| 5 | 115792 | Foot, Base |
| 6 | ** | Pedestal |
| 7 | 16910 | Pin, Hinge |
| 8 | 103993 | Screw, Latch Bearing |
| 9 | 24452 | Latch, Link & Lever |
| 10 | 9709055 | Latch |
| 11 | WS02903 | Washer |
| 12 | 110679 | Screw, Pivot |
| 13 | 116241 | Washer, Spring |
| 14 | 3400020 | Screw |
| 15 | 9708470 | Beater, Flat |
| 16 | 4163336 | Bowl And Base (4 1/2 Qt.) |
| 17 | 9708471 | Dough Hook |
| 18 | 9706446 | Wire Whip |
| 19 | 9706633 | Pouring Shield |



FOR ORDERING INFORMATION REFER TO PARTS PRICE LIST

ACCESSORY PARTS

FOR MODELS: KSM90PS__0

| Illus. No. | Part No. | DESCRIPTION |
|-----------------------|---------------------|--|
| | 4164839 | Speed Disc (Service Tool) |
| | 4160588 | Grease, Planetary |
| | 4164778 | Mixer Attachment Pak (Includes Food Grinder (FG-A), Food Strainer (FVSP), And Vegetable Slicer, (RVS-A) (FPP-A) |
| | 4164749 | Food Grinder (FG-A) |
| | 4164768 | Pasta Maker And Food Grinder (Includes SNP Pasta Maker Plates) (SN/FG-A) |
| | 4164775 | Fruit/Vegetable Strainer Parts (Use With FG-A Model Only) (FVSP) |
| | 4164750 | Rotor Slicer/Shredder (With 4 Standard Cones) Fine Shredder, Coarse Shredder, Thick Slicer, And Thin Slicer (RVS-A) |
| | 3177975 | Pouring Shield (KPS2CL) |
| | 4164824 | Pasta Maker Plates (SNP-A) |
| | 4164774 | Fruit/Vegetable Strainer And Food Grinder (FVS/FG-A) |
| | 3180617 | Cover, Decorative (Cotton Polyester) |
| | 4162838 | Food Tray (FT) |
| | 4164748 | Juicer (JE) |
| | 4164747 | Can Opener (CO) |
| | 4164803 | Sausage Stuffer Kit (SSA) |
| | 3177924 | Bowl Cover, Plastic Non-Sealing |
| | 4163337 | Bowl, Stainless With Handle |
| | 3180262 | Bowl, 3 Qt. (KSM103 & KSM110) |
| | 4162160 | Bowl, Satin Stainless |
| | 9707963 | Ice Cream Attachment – KICA |
| | 8211924 | Grain Mill – KGMA |

FOR ORDERING INFORMATION REFER TO PARTS PRICE LIST