

This Owner's Manual is provided and hosted by [Appliance Factory Parts](#).



KITCHENAID KSM90PSWH0 Owner's Manual

[Shop genuine replacement parts for KITCHENAID
KSM90PSWH0](#)

KitchenAid®

[Find Your KITCHENAID Mixer Parts - Select From 532 Models](#)

----- Manual continues below -----

PARTS LIST

for

KitchenAid®

4 1/2 QT. STAND MIXER

ULTRA POWER TILT

MODELS:

KSM90PSWH0 (White)
KSM90PSCP0 (Satin Copper)
KSM90PSBU0 (Cobalt Blue)
KSM90PSNK0 (Brushed Nickel)
KSM90PSMC0 (Metallic Chrome)
KSM90PSGR0 (Imperial Grey)
KSM90PSOB0 (Onyx Black)
KSM90PSGN0 (Empire Green)
KSM90PSAC0 (Almond Creme)
KSM90PSER0 (Empire Red)
KSM90PSMY0 (Majestic Yellow)
KSM90PSPK0 (Pink)
KSM90PSCR0 (Chrome)
KSM90PSBC0 (Black Chrome)
KSM90PSCV0 (Cavier)
KSM90PSWW0 (White on White)
4KSM90PSWH0 (White)

4KSM90PSCP0 (Satin Copper)
4KSM90PSBU0 (Cobalt Blue)
4KSM90PSNK0 (Brushed Nickel)
4KSM90PSMC0 (Metallic Chrome)
4KSM90PSGR0 (Imperial Grey)
4KSM90PSOB0 (Onyx Black)
4KSM90PSGN0 (Empire Green)
4KSM90PSAC0 (Almond Creme)
4KSM90PSER0 (Empire Red)
4KSM90PSMY0 (Majestic Yellow)
4KSM90PSPK0 (Pink)
4KSM90PSCR0 (Chrome)
4KSM90PSWW0 (White on White)
4KSM90PS7WH0 (White)
4KSM90PS7BU0 (Cobalt Blue)
4KSM90PS7OB0 (Onyx Black)
4KSM90PS7ER0 (Empire Red)

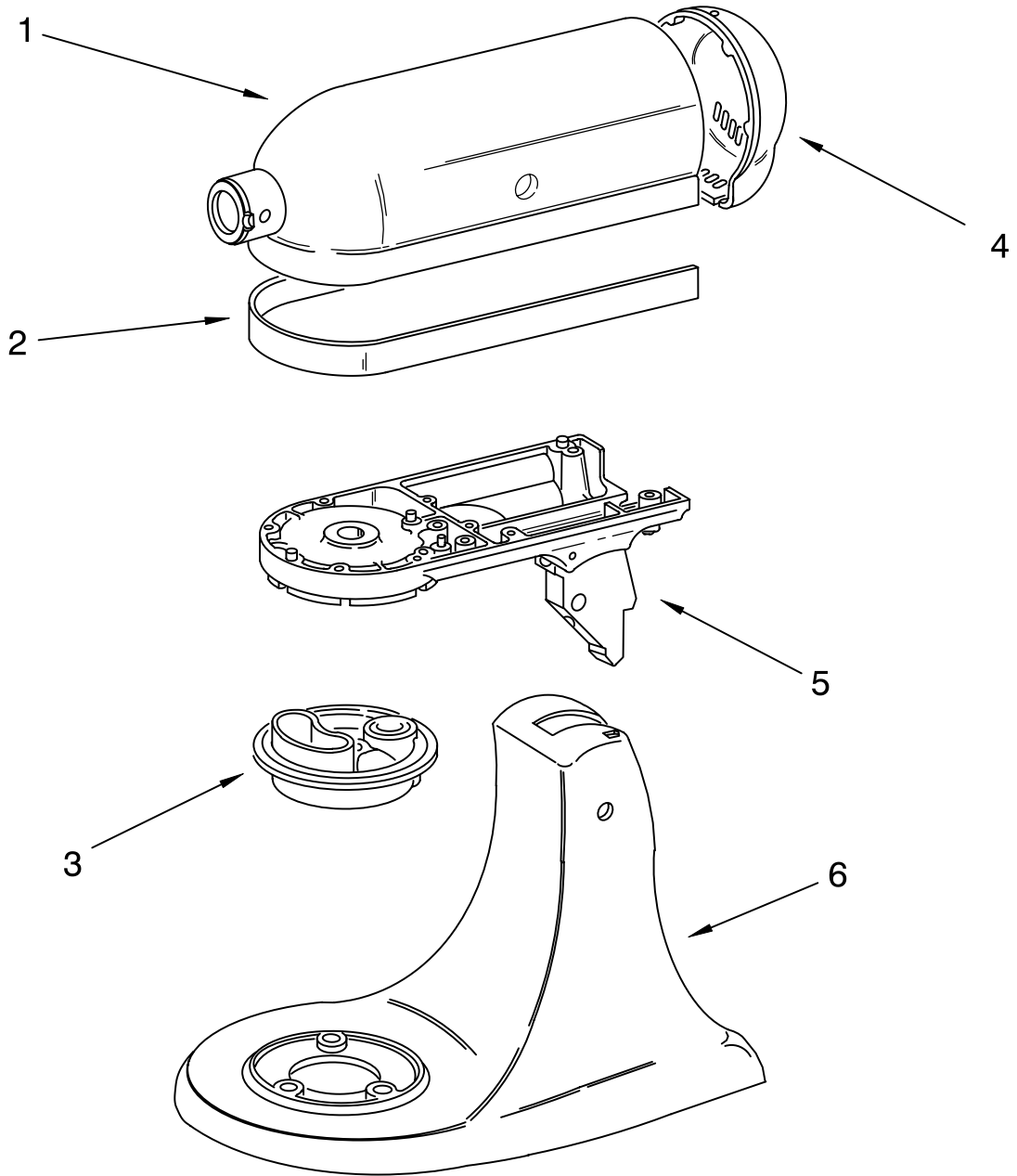


FOR CUSTOMER SATISFACTION ALWAYS USE
FACTORY SPECIFICATION PARTS



COLOR VARIATION PARTS

FOR MODELS: KSM90PS__0



FOR ORDERING INFORMATION REFER TO PARTS PRICE LIST

COLOR VARIATION PARTS

FOR MODELS: KSM90PS__0

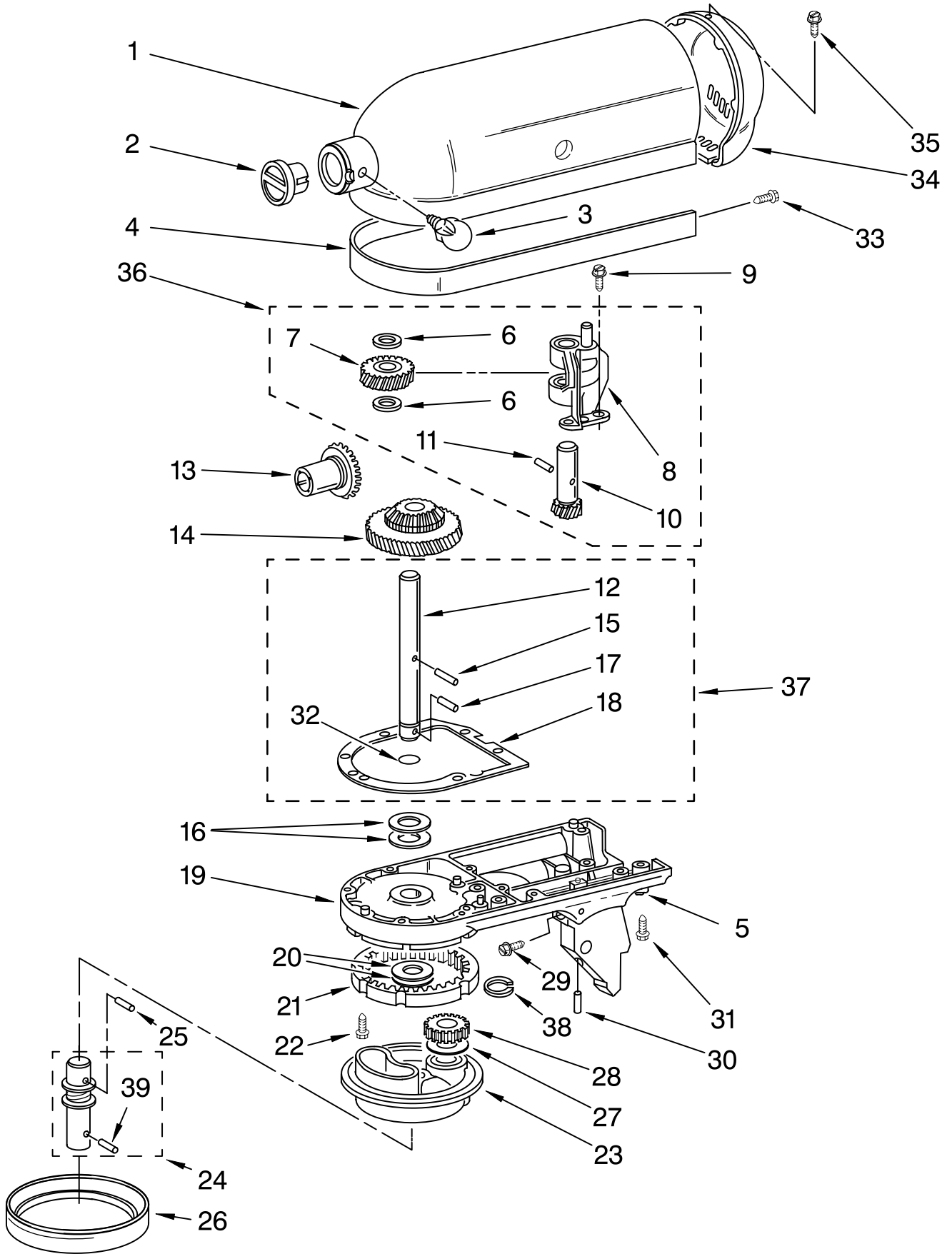
Illus. No.	Part No.	DESCRIPTION	Illus. No.	Part No.	DESCRIPTION	Illus. No.	Part No.	DESCRIPTION
1		Motor Housing	4		End Cover	6		Pedestal
	240291-1	White		240253-1	White		240151-1	White
	9704752	Satin Copper		9704757	Satin Copper		9704747	Satin Copper
	240291-7	Cobalt Blue		240253-8	Cobalt Blue		240151-8	Cobalt Blue
	9706270	Nickel		9706268	Nickel		9706264	Nickel
	9704025	Metallic Chrome		4176449	Metallic Chrome		9706682	Metallic Chrome
	240291-22	Imperial Gray		240253-23	Imperial Gray		240151-21	Imperial Gray
	240291-13	Onyx Black		240253-14	Onyx Black		240151-13	Onyx Black
	240291-10	Empire Green		240253-11	Empire Green		240151-11	Empire Green
	240291-16	Almond Creme		240253-16	Almond Creme		240151-15	Almond Creme
	4176227	Royal Crimson		4176224	Royal Crimson		4176229	Royal Crimson
	240291-21	Empire Red		240253-22	Empire Red		240151-20	Empire Red
	240291-20	Majestic Yellow		240253-21	Majestic Yellow		240151-19	Majestic Yellow
	9706473	Pink		9706469	Pink		9706467	Pink
	4176337	Chrome		4176339	Chrome		4176335	Chrome
	9704004	Black Chrome		4176449	Black Chrome		9704000	Black Chrome
	9705243	Caviar		9705241	Caviar		9705237	Caviar
2		Trim Band	5		Lower Gearcase			
	9702645	Black		240350-4	White			
	9702633	Chrome		9704749	Satin Copper			
	9704530	Royal Blue		240350-31	Cobalt Blue			
	9702635	Brown/Red		9706269	Nickel			
	9701264	White/Grey		9706662	Metallic Chrome			
	9701468	Almond Creme		240350-86	Imperial Gray			
3		Planetary		240350-56	Onyx Black			
	240286-1	White		240350-46	Empire Green			
	9704755	Satin Copper		240350-62	Almond Creme			
	240286-10	Cobalt Blue		4176221	Royal Crimson			
	9706271	Nickel		240350-84	Empire Red			
	9706670	Metallic Chrome		240350-82	Majestic Yellow			
	240286-24	Imperial Gray		9706471	Pink			
	240286-16	Onyx Black		9701398	Chrome			
	240286-13	Empire Green		9704002	Black Chrome			
	240286-18	Almond Creme		9706911	Caviar			
	4176226	Royal Crimson						
	240286-23	Empire Red						
	240286-22	Majestic Yellow						
	9706475	Pink						
	4176338	Chrome						
	9704006	Black Chrome						
	9705244	Caviar						

Colors Subject To Change.
Any Color Not Listed is
No Longer Available.
If Additional Colors Are Added,
This Page Will Be Updated.

FOR ORDERING INFORMATION REFER TO PARTS PRICE LIST

CASE, GEARING AND PLANETARY UNIT

FOR MODELS: KSM90PS__0



FOR ORDERING INFORMATION REFER TO PARTS PRICE LIST

CASE, GEARING AND PLANETARY UNIT

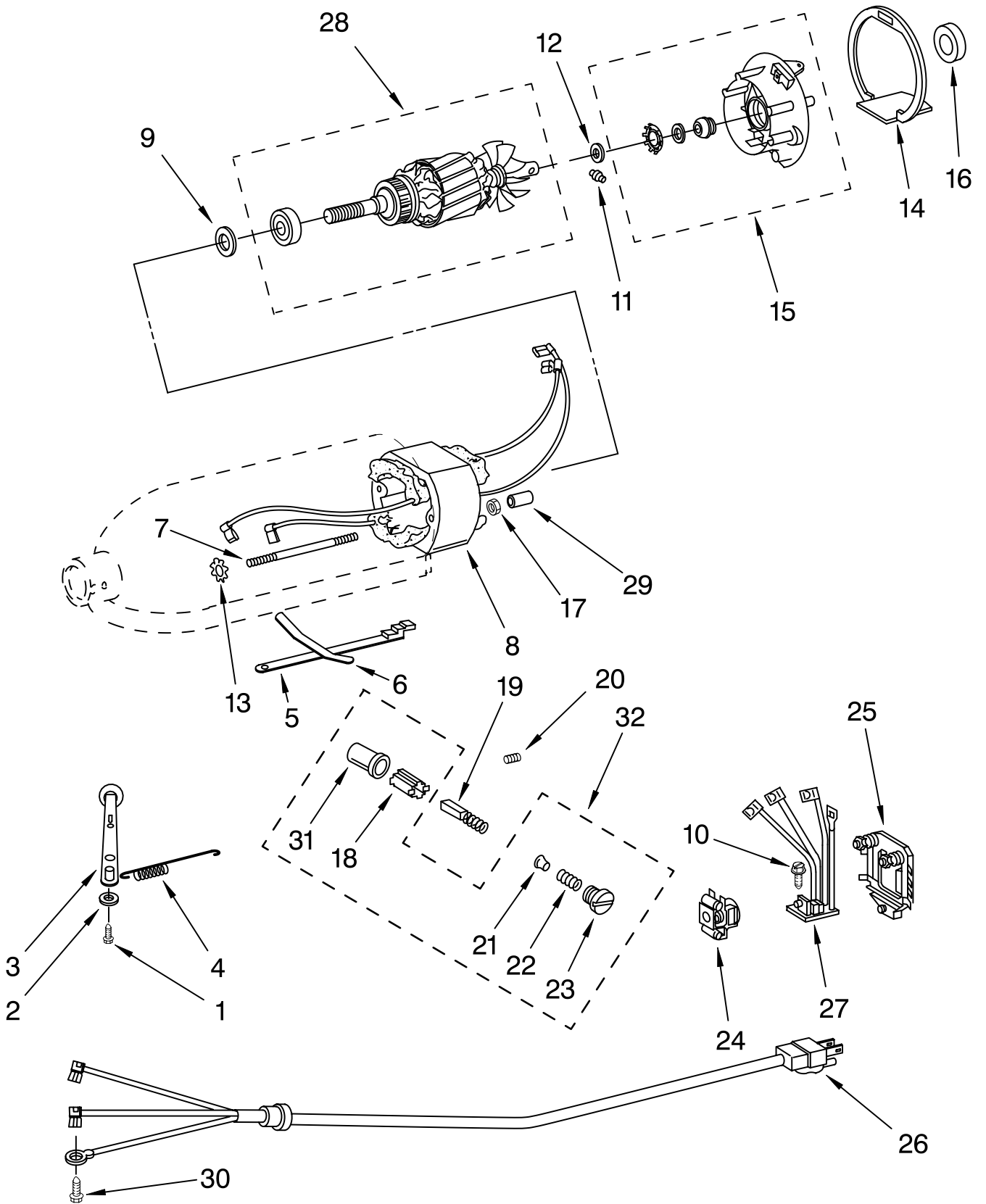
FOR MODELS: KSM90PS__0

Illus. No.	Part No.	DESCRIPTION	Illus. No.	Part No.	DESCRIPTION	Illus. No.	Part No.	DESCRIPTION
1	**	Gearcase Motor Housing	12	240026	Shaft, Vertical Center	24	4176067	Agitator Shaft
2		Cap, Attachment Hub	13	9705130	Gear, Attachment Hub Bevel	25	240018-1	Pin (Agitator Shaft Pinion)
	242765-2	Chrome	14	9703905	Bevel Pinion & Center Gear	26	240285	Ring, Planetary Drip
	242765-4	White	15	240018-1	Pin (Vertical Center Shaft)		240285-2	Polished
3		Thumb Screw	16	3180163	Washer	27	3180160	Washer, Shim
	4162142	Black	17	9705443	Pin, Grooved	28	9703903	Pinion, Gear
	240374-2	Storm Gray	18	4162324	Gasket, Transmission Case	29	4160413	Screw, Adjusting
	240374-3	Buff	19	**	Lower Gear Case	30	3400203	Screw, Set
4	**	Band, Trim	20	3180163	Washer	31	3400025	Screw, Machine
5	WL00320	Lock Washer,	21	9703904	Gear, Internal	32	67500-55	"O" Ring
6	3180161	Washer	22	103994	Screw	33	311932	Screw
7	4162897	Worm Gear	23	**	Planetary	34	**	Cover, End
8	240308	Worm Gear Bracket And Bearing				35	4162914	Screw
9	3400022	Screw And L.W. Assy.				36	240309-2	Worm Gear Bracket And Gear
10	240210-2	Shaft & Pinion				37	4160474	Center Shaft & "O" Ring
11	9705444	Pin, Grooved				38	9703438	Ring
						39	9704677	Pin, Groove

FOR ORDERING INFORMATION REFER TO PARTS PRICE LIST

MOTOR AND CONTROL PARTS

FOR MODELS: KSM90PS__0



FOR ORDERING INFORMATION REFER TO PARTS PRICE LIST

MOTOR AND CONTROL PARTS

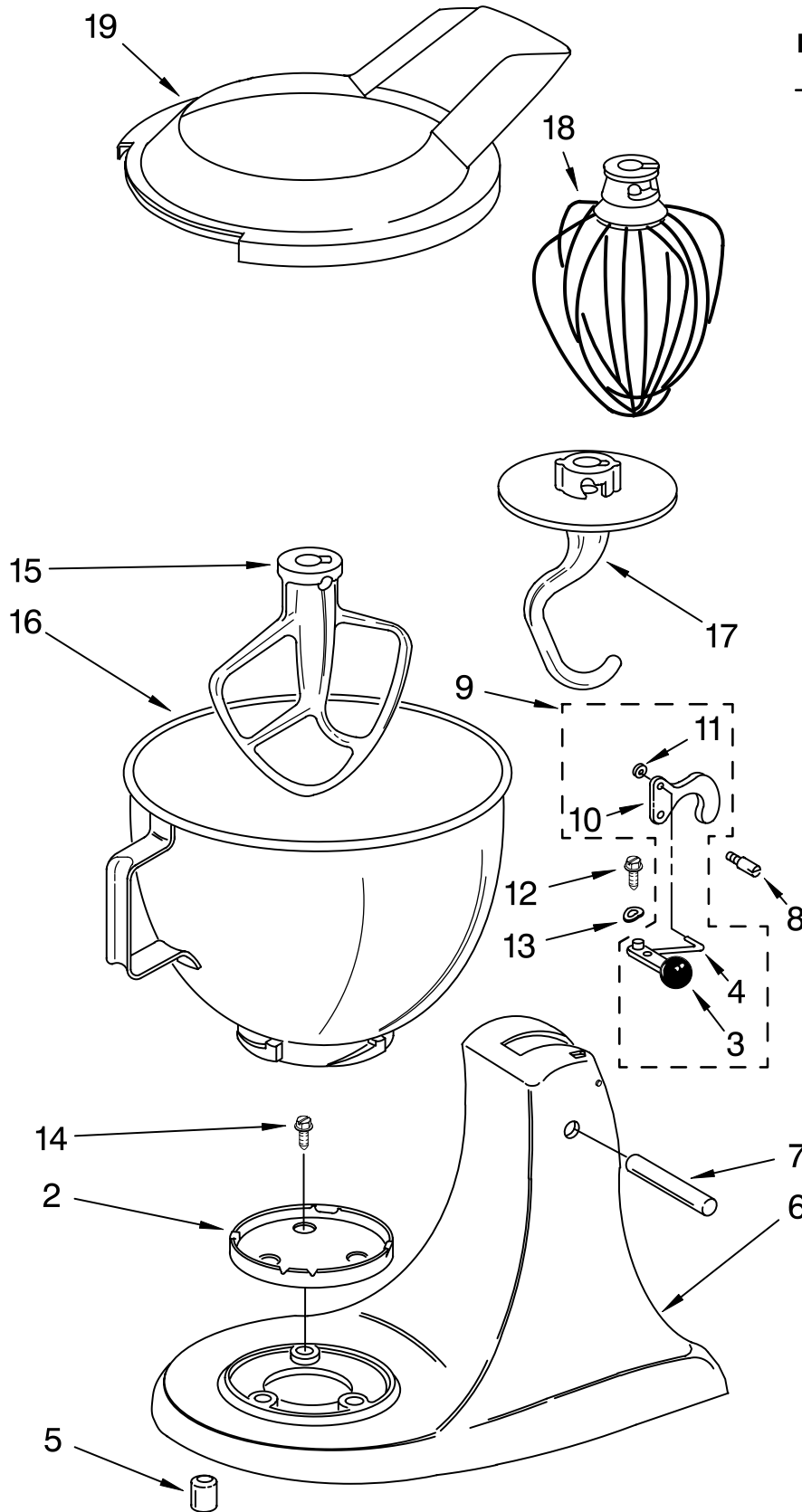
FOR MODELS: KSM90PS__0

Illus. No.	Part No.	DESCRIPTION
1	110679	Screw, Pivot
2	116241	Washer, Spring
3		Switch Lever And Stud
	3184193	Black
	3184194	Storm Grey
	3184195	Buff
4	3183680	Spring, Control Plate
5	3184176	Speed Link & Cam
6	240205	Spring, Flat
7	240769	Screw
8	9702695	Field Assembly
9	9704324	Washer, Bearing
10	3400402	Screw, Self Tapping
11	16998	Stud, Governor Drive
12	3180162	Washer
13	3400900	Washer
14	3184356	Seal, End
15	3180526	Bracket, Bearing Asm.
16	3180238	Washer
17	8533905	Nut, Machine
18	240680	Insert, Brush Holder
19	9706416	Brush, Carbon
20	9707926	Screw, Set
21	116286	Cap, Spring Seat
22	116287	Spring, Cap
23		Cap, Brush Holder
	3184212	Black
	3184211	White
	3184213	Almond Creme
24	17830	Governor Assembly
25	240904-2	Control Plate Assembly
26		Power Cord
	9701025	White
	9701026	Black
27	9706595	Phase Control Board
28	9708315	Armature & Bearing
29	4162634	Sleeve, Motor Stud
30	3184609	Screw, Ground
31	3179908	Housing, Brush Holder
32	4162546	Brush Holder

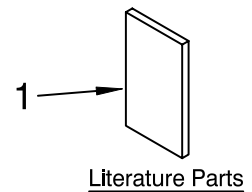
FOR ORDERING INFORMATION REFER TO PARTS PRICE LIST

BASE AND PEDESTAL UNIT

FOR MODELS: KSM90PS__0



Illus. No.	Part No.	DESCRIPTION
1		Literature Parts Use & Care Guide
	9707917	U.S.
	9707352	Canada
	8212057	Repair Parts List
2	4163032	Screw Cap Kit
3		Lever, Latch
	4176024	Black
	242928-2	Storm Gray
4	24450	Link, Latch
5	115792	Foot, Base
6	**	Pedestal
7	16910	Pin, Hinge
8	103993	Screw, Latch Bearing
9	24452	Latch, Link & Lever
10	9709055	Latch
11	WS02903	Washer
12	110679	Screw, Pivot
13	116241	Washer, Spring
14	3400020	Screw
15	9708470	Beater, Flat
16	4163336	Bowl And Base (4 1/2 Qt.)
17	9708471	Dough Hook
18	9706446	Wire Whip
19	9706633	Pouring Shield



FOR ORDERING INFORMATION REFER TO PARTS PRICE LIST

ACCESSORY PARTS

FOR MODELS: KSM90PS__0

Illus. No.	Part No.	DESCRIPTION
	4164839	Speed Disc (Service Tool)
	4160588	Grease, Planetary
	4164778	Mixer Attachment Pak (Includes Food Grinder (FG-A), Food Strainer (FVSP), And Vegetable Slicer, (RVS-A) (FPP-A)
	4164749	Food Grinder (FG-A)
	4164768	Pasta Maker And Food Grinder (Includes SNP Pasta Maker Plates) (SN/FG-A)
	4164775	Fruit/Vegetable Strainer Parts (Use With FG-A Model Only) (FVSP)
	4164750	Rotor Slicer/Shredder (With 4 Standard Cones) Fine Shredder, Coarse Shredder, Thick Slicer, And Thin Slicer (RVS-A)
	3177975	Pouring Shield (KPS2CL)
	4164824	Pasta Maker Plates (SNP-A)
	4164774	Fruit/Vegetable Strainer And Food Grinder (FVS/FG-A)
	3180617	Cover, Decorative (Cotton Polyester)
	4162838	Food Tray (FT)
	4164748	Juicer (JE)
	4164747	Can Opener (CO)
	4164803	Sausage Stuffer Kit (SSA)
	3177924	Bowl Cover, Plastic Non-Sealing
	4163337	Bowl, Stainless With Handle
	3180262	Bowl, 3 Qt. (KSM103 & KSM110)
	4162160	Bowl, Satin Stainless
	9707963	Ice Cream Attachment – KICA
	8211924	Grain Mill – KGMA

FOR ORDERING INFORMATION REFER TO PARTS PRICE LIST