

This Owner's Manual is provided and hosted by [Appliance Factory Parts](#).



KITCHENAID 5KSM150PSAOB0 Owner's Manual

[Shop genuine replacement parts for KITCHENAID
5KSM150PSAOB0](#)



[Find Your KITCHENAID Mixer Parts - Select From 532 Models](#)

----- Manual continues below -----

PARTS LIST

for

KitchenAid®

5 QT. STAND MIXER

ARTISAN TILT HEAD

MODELS:

5KSM150PSAWH0 (White)
5KSM150PSABU0 (Cobalt Blue)
5KSM150PSAGR0 (Imperial Grey)
5KSM150PSAOB0 (Onyx Black)
5KSM150PSAAC0 (Almond Creme)
5KSM150PSACR0 (Chrome)
5KSM150PSANK0 (Nickel)
5KSM150PSAIC0 (Ice)
5KSM150PSAER0 (Empire Red)
5KSM150PSAMY0 (Majestic Yellow)

5KSM150PSAPK0 (Pink)
5KSM150PSAPT0 (Pistachio)
5KSM150PSACV0 (Caviar)
5KSM150PSATG0 (Tangerine)
5KSM150PSAMC0 (Metallic Chrome)
5KSM150PSABW0 (Blue Willow)
5KSM150PSAGC0 (Gloss Cinnamon)
5KSM150PSAGA0 (Green Apple)
5KSM150PSAPM0 (Pearl Metallic)
5KSM150PSABY0 (Boysenberry)
5KSM150PSAYP0 (Yellow Pepper)



FOR CUSTOMER SATISFACTION ALWAYS USE
FACTORY SPECIFICATION PARTS

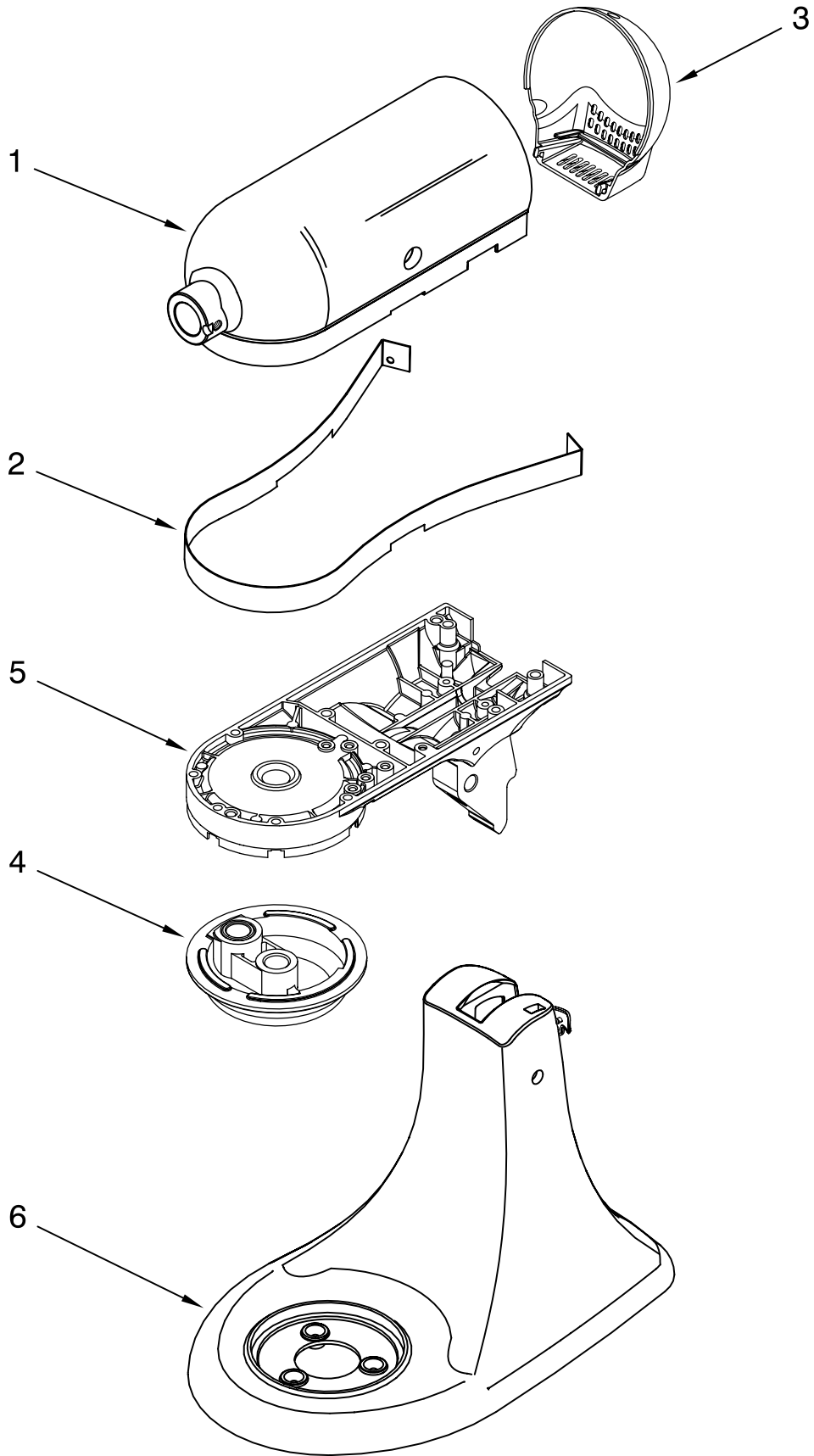


KITCHENAID

ST. JOSEPH MICHIGAN 49085

COLOR VARIATION PARTS

For Models: 5KSM150PSA_0



FOR ORDERING INFORMATION REFER TO PARTS PRICE LIST

COLOR VARIATION PARTS

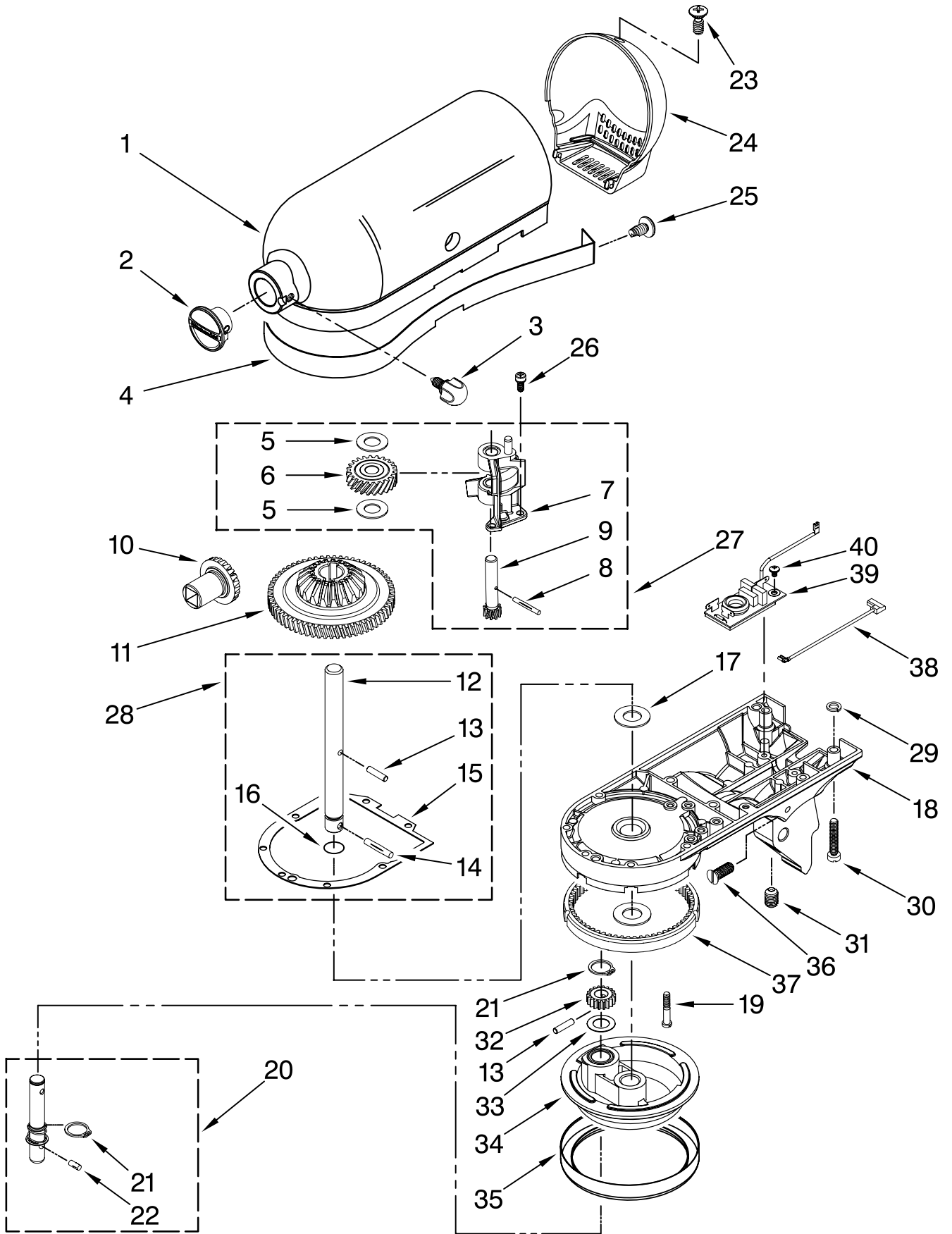
For Models: 5KSM150PSA__0

Illus. No.	Part No.	DESCRIPTION	Illus. No.	Part No.	DESCRIPTION	Illus. No.	Part No.	DESCRIPTION
1		Motor Housing	4		Planetary	6		Pedestal & Feet
	240291-1	White		240286-1	White		3184273	White
	240291-7	Cobalt Blue		240286-10	Cobalt Blue		3184278	Cobalt Blue
	240291-22	Imperial Grey		240286-24	Imperial Grey		9703998	Imperial Grey
	240291-13	Onyx Black		240286-16	Onyx Black		3184275	Onyx Black
	240291-16	Almond Creme		240286-18	Almond Creme		9705577	Almond Creme
	240291-19	Chrome		240286-21	Chrome		3184277	Chrome
	9706461	Nickel		9706271	Nickel		9706456	Nickel
	9707662	Ice		9707665	Ice		9708865	Ice
	240291-21	Empire Red		240286-23	Empire Red		3184280	Empire Red
	240291-20	Majestic Yellow		240286-22	Majestic Yellow		3184281	Majestic Yellow
	9706473	Pink		9706475	Pink		9707361	Pink
	9706836	Pistachio		9706839	Pistachio		9709637	Pistachio
	9705243	Caviar		9705244	Caviar		9709632	Caviar
	9706849	Tangerine		9706852	Tangerine		9707933	Tangerine
	9704025	Metallic Chrome		9706670	Metallic Chrome		9707188	Metallic Chrome
	9709600	Blue Willow		9709597	Blue Willow		W10119207	Blue Willow
	9709442	Gloss Cinnamon		9709439	Gloss Cinnamon		W10119202	Gloss Cinnamon
	9709688	Green Apple		9709685	Green Apple		W10128411	Green Apple
	W10128417	Pearl Metallic		W10128414	Pearl Metallic		W10128423	Pearl Metallic
	W10140801	Boysenberry		W10140798	Boysenberry		W10189051	Boysenberry
	W10266833	Yellow Pepper		W10266829	Yellow Pepper		W10281094	Yellow Pepper
2		Trim Band	5		Lower Gearcase			
	9709301	Black		240350-4	White			Colors Subject To Change.
3		End Cover		9701420	Cobalt Blue			Any Color Not Listed is
	240253-1	White		240350-86	Imperial Grey			No Longer Available.
	240253-8	Cobalt Blue		240350-56	Onyx Black			If Additional Colors Are Added,
	240253-23	Imperial Grey		240350-62	Almond Creme			This Page Will Be Updated.
	240253-14	Onyx Black		9701398	Chrome			
	240253-16	Almond Creme		9706459	Nickel			
	240253-20	Chrome		9708868	Ice			
	9706268	Nickel		240350-91	Empire Red			
	9707667	Ice		240350-93	Majestic Yellow			
	240253-22	Empire Red		9707364	Pink			
	240253-21	Majestic Yellow		9706832	Pistachio			
	9706469	Pink		9706911	Caviar			
	9706841	Pistachio		9707936	Tangerine			
	9705241	Caviar		9707219	Metallic Chrome			
	9706854	Tangerine		9709603	Blue Willow			
	9704029	Metallic Chrome		9709445	Gloss Cinnamon			
	9709595	Blue Willow		9709691	Green Apple			
	9709437	Gloss Cinnamon		W10128420	Pearl Metallic			
	9709683	Green Apple		W10140804	Boysenberry			
	W10128412	Pearl Metallic		W10266836	Yellow Pepper			
	W10140796	Boysenberry						
	W10266822	Yellow Pepper						

FOR ORDERING INFORMATION REFER TO PARTS PRICE LIST

CASE, GEARING AND PLANETARY UNIT

For Models: 5KSM150PSA_0



FOR ORDERING INFORMATION REFER TO PARTS PRICE LIST

CASE, GEARING AND PLANETARY UNIT

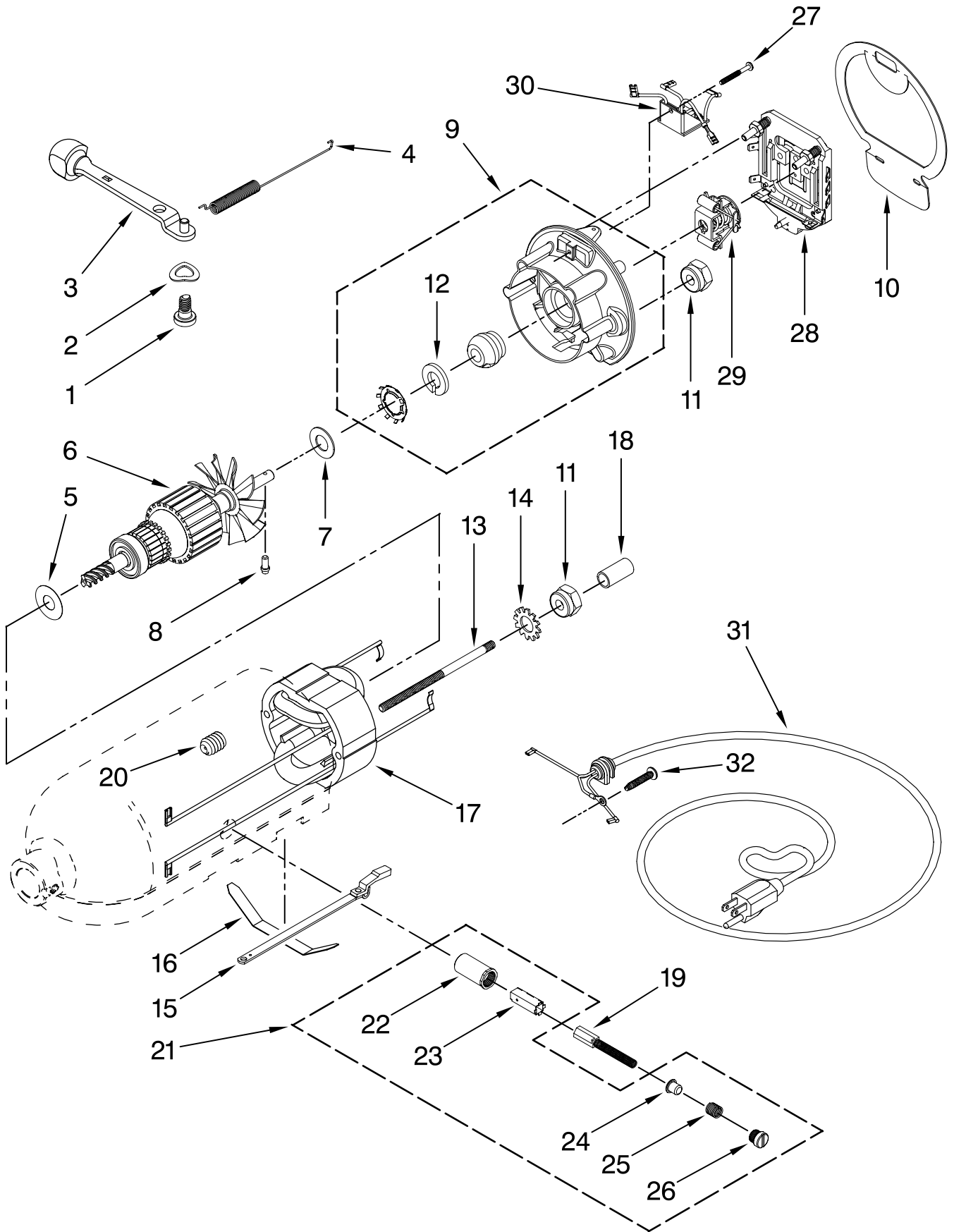
For Models: 5KSM150PSA__0

Illus. No.	Part No.	DESCRIPTION	Illus. No.	Part No.	DESCRIPTION	Illus. No.	Part No.	DESCRIPTION
1	**	Gearcase Motor Housing	12	240026	Shaft, Vertical Center	28	4160474	Shaft, Center & "O" Ring
2		Cap, Attachment Hub	13	240018-1	Pin, Agitator Shaft	29	8533914	Washer, Spring Lck
3	242765-2	Chrome Screw, Thumb	14	9705443	Pin, Groove	30	3400025	Screw, Machine
4	9709194	Black Band, Trim	15	4162324	Gasket, Transmission	31	3400203	Screw, Set
5	3180161	Washer	16	67500-55	"O"Ring	32	9703903	Gear, Pinion
6	W10112253	Gear, Worm	17	3180163	Washer	33	9706090	Washer
7	240308	Worm Gear Assembly (w/Bracket & Brng)	18	**	Lower Gearcase	34	**	Planetary
8	9705444	Pin	19	103994	Screw	35	240285	Ring, Planetary
9	240210-2	Shaft, w/Pinion	20	3184052	Shaft, Agitator	36	89411	Screw
10	9705130	Gear, Attachment Hub	21	9703438	Ring	37	9703904	Gear, Internal
11	9709627	Gear, Bevel Pinion & Center	22	9704677	Pin, Groove	38	9702311	Lead, Filter Control Board
			23	4162914	Screw	39	9705132	Filter, RFI
			24	**	End Cover	40	3184086	Screw
			25	311932	Screw			**Refer to Page 3
			26	3400022	Screw			Color Variation Parts
			27	240309-2	Gear, Worm Assy w/Bracket			

FOR ORDERING INFORMATION REFER TO PARTS PRICE LIST

MOTOR AND CONTROL PARTS

For Models: 5KSM150PSA_0



FOR ORDERING INFORMATION REFER TO PARTS PRICE LIST

MOTOR AND CONTROL PARTS

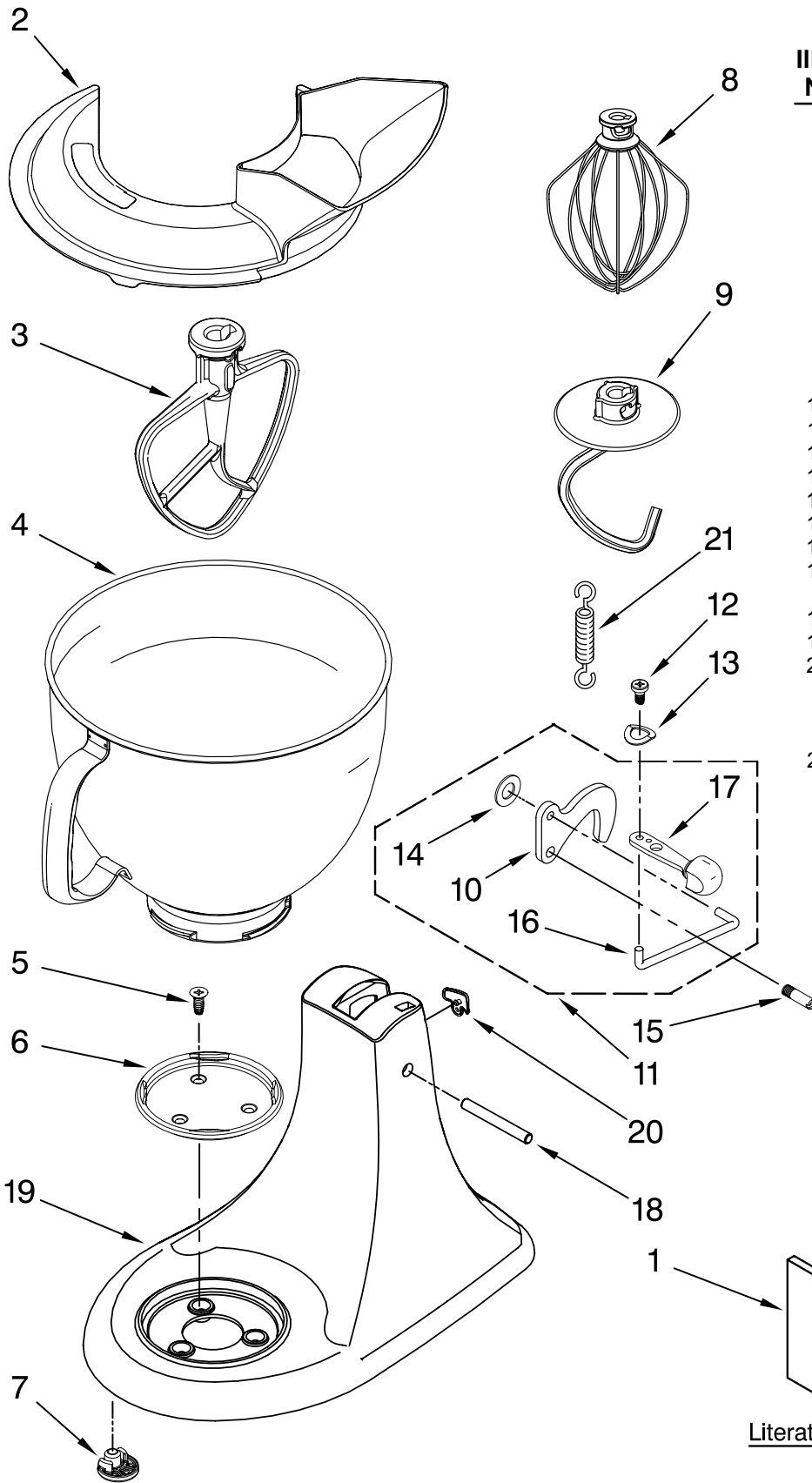
For Models: 5KSM150PSA__0

Illus. No.	Part No.	DESCRIPTION
1	110679	Screw, Pivot
2	116241	Washer, Spring
3		Lever, Speed Control Assembly
	9709276	Black
4	3183680	Spring, Control Plate
5	9704324	Washer, Ball Bearing (Front)
6	9708316	Armature & Bearng
7	3180162	Washer
8	16998	Stud, Governor Drv
9	3180526	Bracket, Bearing
10	3184356	Seal, End
11	W10131078	Nut, Machine
12	3180238	Washer
13	240769	Screw, Stator
14	W10068270	Washer
15	3184176	Speed Link & Cam
16	240205	Spring, Flat
17	9701670	Field Assembly
18	4162634	Sleeve, Motor Stud
19	W10260958	Brush, Cap & Sprng
20	9707926	Screw
21	4162546	Brush Holder Assy
22	3179908	Housing, Brush Holder
23	240680	Insert, Brush Hldr
24	116286	Cap, Spring Seat
25	116287	Spring, Cap
26		Cap, Brush Holder
	3184212	Black
27	W10068260	Screw
28	W10119326	Control Plate Assy
29	17830	Governor Assembly
30	W10217542	Phase Control Board
31		Cord, Power
	9702368	White
32	3184086	Screw

FOR ORDERING INFORMATION REFER TO PARTS PRICE LIST

BASE AND PEDESTAL UNIT

For Models: 5KSM150PSA_0



Illus. No.	Part No.	DESCRIPTION
1	9709851	Literature Parts Use & Care Guide
	8212007	Repair Parts List
2	9709923	Shield, Pouring
3	9708472	Beater, Flat
4	9706619	Bowl, 5 Qt.
5	3400020	Screw
6	W10191926	Cap, Bowl Screw
7	9709707	Foot
8	9706446	Whip, Wire
9	9708471	Hook, Dough
10	9709055	Latch
11	3184200	Latch, Link Assy
12	110679	Screw, Pivot
13	116241	Washer, Spring
14	8533912	Washer
15	103993	Screw, Latch Brng
16	24450	Link, Latch
17		Lever, Latch
	9709267	Black
18	16910	Pin, Hinge
19	**	Pedestal
20		Head Lock
	3184262	White
	3184264	Black
21	3183690	Spring, Lock Lever

**REFER TO PAGE 3
Color Variation Parts

Literature Parts

FOR ORDERING INFORMATION REFER TO PARTS PRICE LIST

ACCESSORY PARTS

For Models: 5KSM150PSA__0

Illus. No.	Part No.	DESCRIPTION
	4164839	Speed Disc (Service Tool)
	4160588	Grease, Planetary
	4164778	Mixer Attachment Pak (Includes Food Grinder (FG-A), Food Strainer (FVSP), And Vegetable Slicer, (RVS-A) (FPP-A)
	4164749	Food Grinder (FG-A)
	8211924	Grain Mill (KGMA)
	4164768	Pasta Maker And Food Grinder (Includes SNP Pasta Maker Plates) (SN/FG-A)
	4164775	Fruit/Vegetable Strainer Parts (Use With FG-A Model Only) (FVSP)
	4164750	Rotor Slicer/ Shredder(With 4 Standard Cones) Fine Shredder, Coarse Shredder, Thick Slicer,and Thin Slicer (RVS-A)
	9704568	Pouring Shield (KPS2CL)
	4164824	Pasta Maker Plates (SNP-A)
	4164774	Fruit/Vegetable Strainer and Food Grinder (FVS-FG-A)
	3180617	Cover, Decorative (Cotton Polyester)
	4162838	Food Tray (FT)
	4164748	Juicer (JE)
	4164747	Can Opener (CO)
	4164803	Sausage Stuffer Kit (SSA)
	8212632	Ice Cream Maker (5KICA0WH0)
	3177924	Bowl Cover, Plastic Non- Sealing
	4163337	Bowl, Stainless With Handle
	3180262	Bowl, 3 Qt.
	4162160	Bowl, Satin Stainless

FOR ORDERING INFORMATION REFER TO PARTS PRICE LIST