

This Owner's Manual is provided and hosted by [Appliance Factory Parts](#).



KITCHENAID 5KSM150PSEPK4 Owner's Manual

[Shop genuine replacement parts for KITCHENAID
5KSM150PSEPK4](#)

KitchenAid®

[Find Your KITCHENAID Mixer Parts - Select From 532 Models](#)

----- Manual continues below -----

PARTS LIST

for

KitchenAid®

5 QT. STAND MIXER – EUROPE

ARTISAN TILT HEAD

MODELS:

5KSM150PSEWH4 (White)
5KSM150PSEBU4 (Cobalt Blue)
5KSM150PSEGP4 (Grape)
5KSM150PSEGR4 (Imperial Grey)
5KSM150PSEOB4 (Onyx Black)
5KSM150PSEAC4 (Almond Creme)
5KSM150PSECR4 (Chrome)
5KSM150PSENK4 (Nickel)
5KSM150PSEIC4 (Ice)
5KSM150PSEER4 (Empire Red)
5KSM150PSEMY4 (Majestic Yellow)
5KSM150PSEPK4 (Pink)
5KSM150PSEPT4 (Pistachio)

5KSM150PSECV4 (Caviar)
5KSM150PSETG4 (Tangerine)
5KSM150PSEMC4 (Metallic Chrome)
5KSM150PSEBW4 (Blue Willow)
5KSM150PSEGC4 (Gloss Cinnamon)
5KSM150PSEGA4 (Green Apple)
5KSM150PSEPM4 (Pearl Metallic)
5KSM150PSEBY4 (Boysenberry)
5KSM150PSEBR4 (Bronze Pearl)
5KSM150PSECH4 (Chocolate)
5KSM150PSEPE4 (Pear)
5KSM150PSEYP4 (Yellow Pepper)
5KSM150PSECS4 (Cocoa Silver)
5KSM150PSECB4 (Cranberry)



FOR CUSTOMER SATISFACTION ALWAYS USE
FACTORY SPECIFICATION PARTS

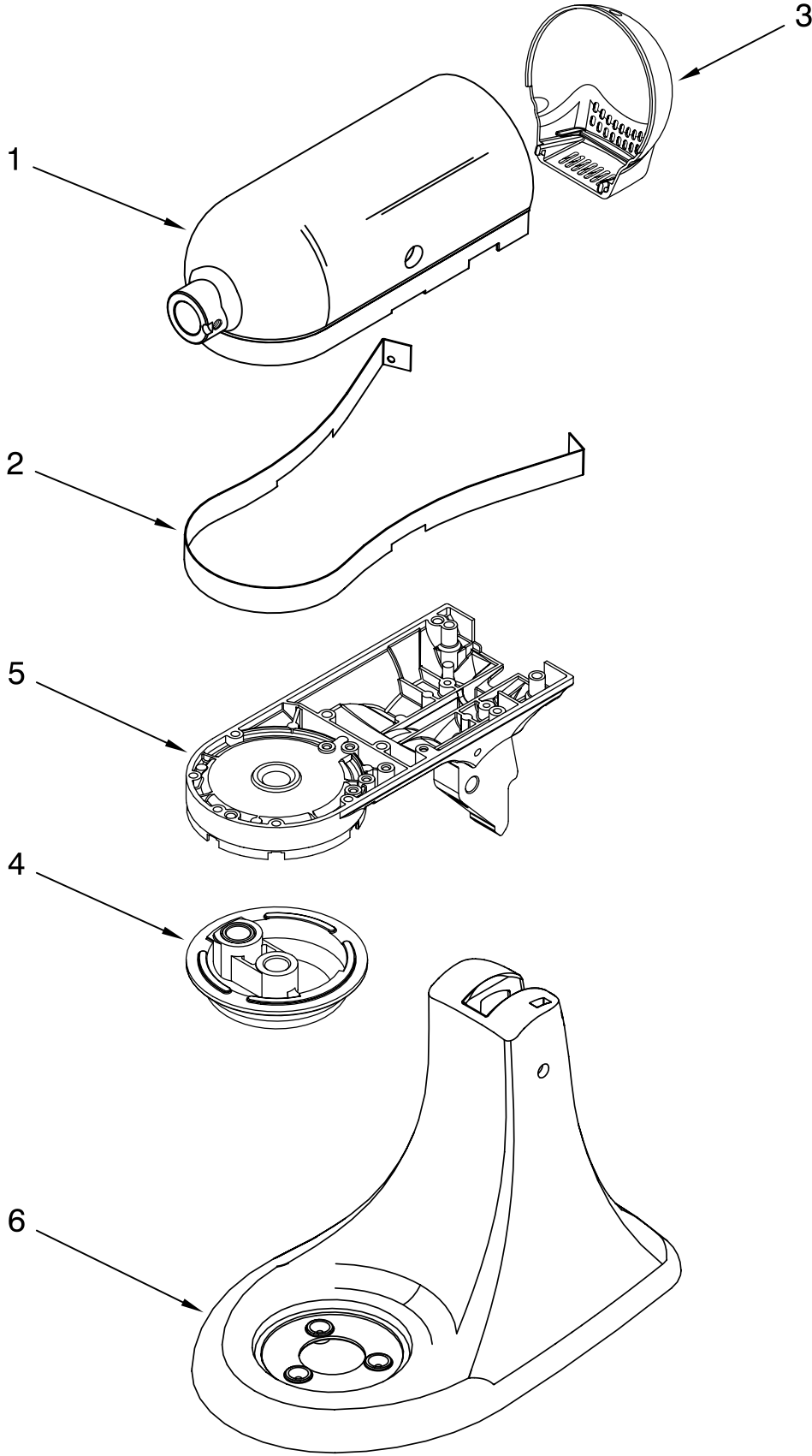


KITCHENAID

ST. JOSEPH MICHIGAN 49085

COLOR VARIATION PARTS

For Models: 5KSM150PSE_4



FOR ORDERING INFORMATION REFER TO PARTS PRICE LIST

COLOR VARIATIONS PARTS

For Models: 5KSM150PSE__4

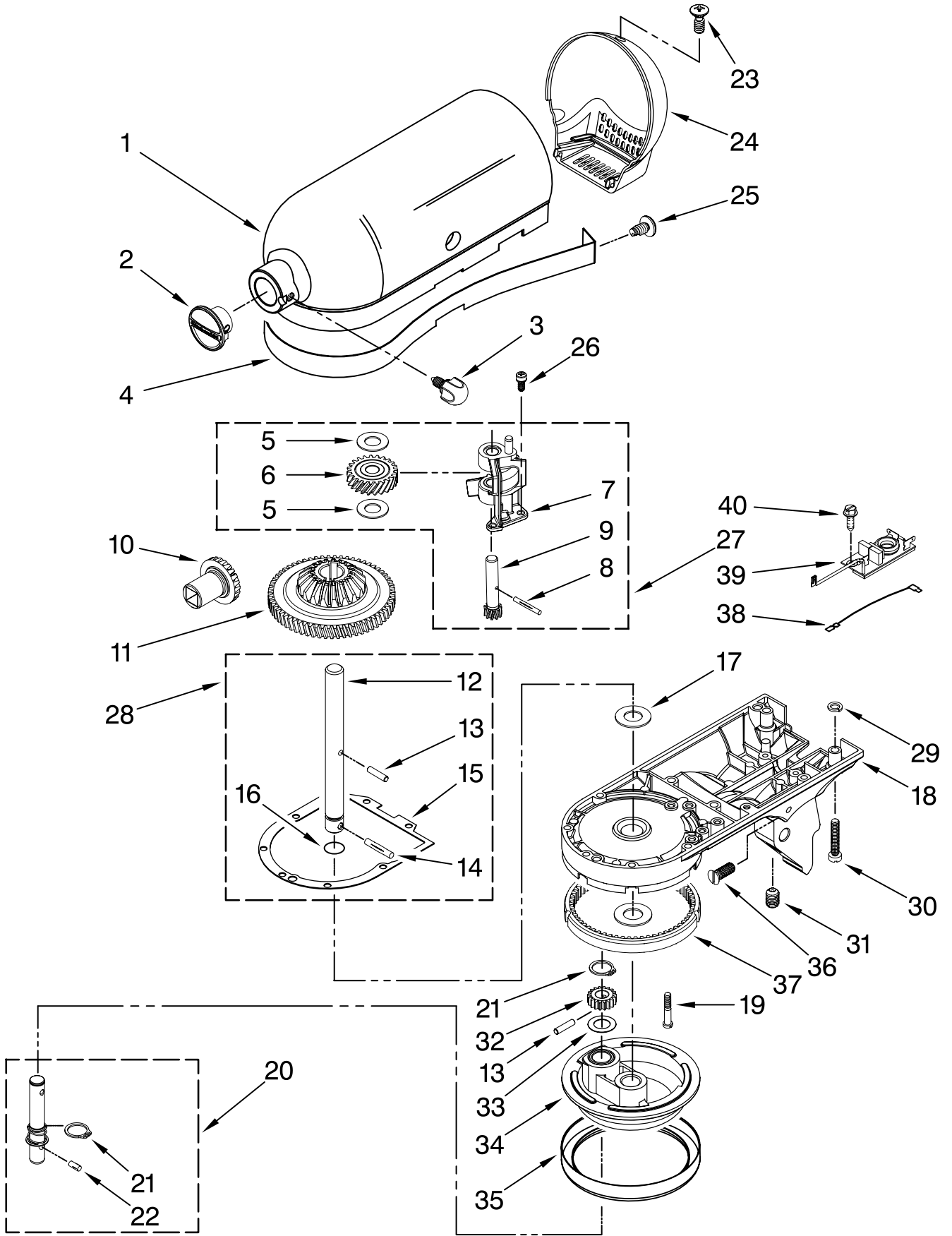
| Illus. No. | Part No. | DESCRIPTION | Illus. No. | Part No. | DESCRIPTION | Illus. No. | Part No. | DESCRIPTION |
|------------|-----------|-----------------|------------|-----------|-----------------|------------|-----------|----------------------------|
| 1 | | Motor Housing | 4 | | Planetary | 6 | | Pedestal w/Feet & Headlock |
| | 240291-1 | White | | 240286-1 | White | | 3184273 | White |
| | 240291-7 | Cobalt Blue | | 240286-10 | Cobalt Blue | | 3184278 | Cobalt Blue |
| | 9707126 | Grape | | 9707129 | Grape | | 9708637 | Grape |
| | 240291-22 | Imperial Grey | | 240286-24 | Imperial Grey | | 9703998 | Imperial Grey |
| | 240291-13 | Onyx Black | | 240286-16 | Onyx Black | | 3184275 | Onyx Black |
| | 240291-16 | Almond Creme | | 240286-18 | Almond Creme | | 9705577 | Almond Creme |
| | 240291-19 | Chrome | | 240286-21 | Chrome | | 3184277 | Chrome |
| | 9706461 | Nickel | | 9706271 | Nickel | | 9706456 | Nickel |
| | 9707662 | Ice | | 9707665 | Ice | | 9708865 | Ice |
| | 240291-21 | Empire Red | | 240286-23 | Empire Red | | 3184280 | Empire Red |
| | 240291-20 | Majestic Yellow | | 240286-22 | Majestic Yellow | | 3184281 | Majestic Yellow |
| | 9706473 | Pink | | 9706475 | Pink | | 9707361 | Pink |
| | 9706836 | Pistachio | | 9706839 | Pistachio | | 9709637 | Pistachio |
| | 9705243 | Caviar | | 9705244 | Caviar | | 9709632 | Caviar |
| | 9706849 | Tangerine | | 9706852 | Tangerine | | 9707933 | Tangerine |
| | 9704025 | Metallic Chrome | | 9706670 | Metallic Chrome | | 9707188 | Metallic Chrome |
| | 9709600 | Blue Willow | | 9709597 | Blue Willow | | W10119207 | Blue Willow |
| | 9709442 | Gloss Cinnamon | | 9709439 | Gloss Cinnamon | | W10119202 | Gloss Cinnamon |
| | 9709688 | Green Apple | | 9709685 | Green Apple | | W10128411 | Green Apple |
| | W10128417 | Pearl Metallic | | W10128414 | Pearl Metallic | | W10128423 | Pearl Metallic |
| | W10140801 | Boysenberry | | W10140798 | Boysenberry | | W10189051 | Boysenberry |
| | W10189057 | Bronze Pearl | | W10189054 | Bronze Pearl | | W10189063 | Bronze Pearl |
| | 9708141 | Chocolate | | 9708144 | Chocolate | | W10189045 | Chocolate |
| | W10193514 | Pear | | W10193511 | Pear | | W10242882 | Pear |
| | W10266833 | Yellow Pepper | | W10266829 | Yellow Pepper | | W10281094 | Yellow Pepper |
| | W10171586 | Cocoa Silver | | W10171583 | Cocoa Silver | | W10306315 | Cocoa Silver |
| | 9706796 | Cranberry | | 9706799 | Cranberry | | W10310011 | Cranberry |
| 2 | | Trim Band | 5 | | Lower Gearcase | | | |
| | W10190254 | Black/Silver | | 240350-4 | White | | | |
| 3 | | End Cover | | 9701420 | Cobalt Blue | | | |
| | 240253-1 | White | | 9707123 | Grape | | | |
| | 240253-8 | Cobalt Blue | | 240350-86 | Imperial Grey | | | |
| | 9707131 | Grape | | 240350-56 | Onyx Black | | | |
| | 240253-23 | Imperial Grey | | 240350-62 | Almond Creme | | | |
| | 240253-14 | Onyx Black | | 9701398 | Chrome | | | |
| | 240253-16 | Almond Creme | | 9706459 | Nickel | | | |
| | 240253-20 | Chrome | | 9708868 | Ice | | | |
| | 9706268 | Nickel | | 240350-91 | Empire Red | | | |
| | 9707667 | Ice | | 240350-93 | Majestic Yellow | | | |
| | 240253-22 | Empire Red | | 9707364 | Pink | | | |
| | 240253-21 | Majestic Yellow | | 9706832 | Pistachio | | | |
| | 9706469 | Pink | | 9706911 | Caviar | | | |
| | 9706841 | Pistachio | | 9707936 | Tangerine | | | |
| | 9705241 | Caviar | | 9707219 | Metallic Chrome | | | |
| | 9706854 | Tangerine | | 9709603 | Blue Willow | | | |
| | 9704029 | Metallic Chrome | | 9709445 | Gloss Cinnamon | | | |
| | 9709595 | Blue Willow | | 9709691 | Green Apple | | | |
| | 9709437 | Gloss Cinnamon | | W10128420 | Pearl Metallic | | | |
| | 9709683 | Green Apple | | W10140804 | Boysenberry | | | |
| | W10128412 | Pearl Metallic | | W10189060 | Bronze Pearl | | | |
| | W10140796 | Boysenberry | | 9708138 | Chocolate | | | |
| | W10189052 | Bronze Pearl | | W10242875 | Pear | | | |
| | 9708146 | Chocolate | | W10266836 | Yellow Pepper | | | |
| | W10193509 | Pear | | W10171589 | Cocoa Silver | | | |
| | W10266822 | Yellow Pepper | | 9706792 | Cranberry | | | |
| | W10171581 | Cocoa Silver | | | | | | |
| | 9706801 | Cranberry | | | | | | |

Colors Subject To Change.
Any Color Not Listed is
No Longer Available.
If Additional Colors Are Added,
This Page Will Be Updated.

FOR ORDERING INFORMATION REFER TO PARTS PRICE LIST

CASE, GEARING AND PLANETARY UNIT

For Models: 5KSM150PSE_4



FOR ORDERING INFORMATION REFER TO PARTS PRICE LIST

CASE, GEARING AND PLANETARY UNIT

For Models: 5KSM150PSE__4

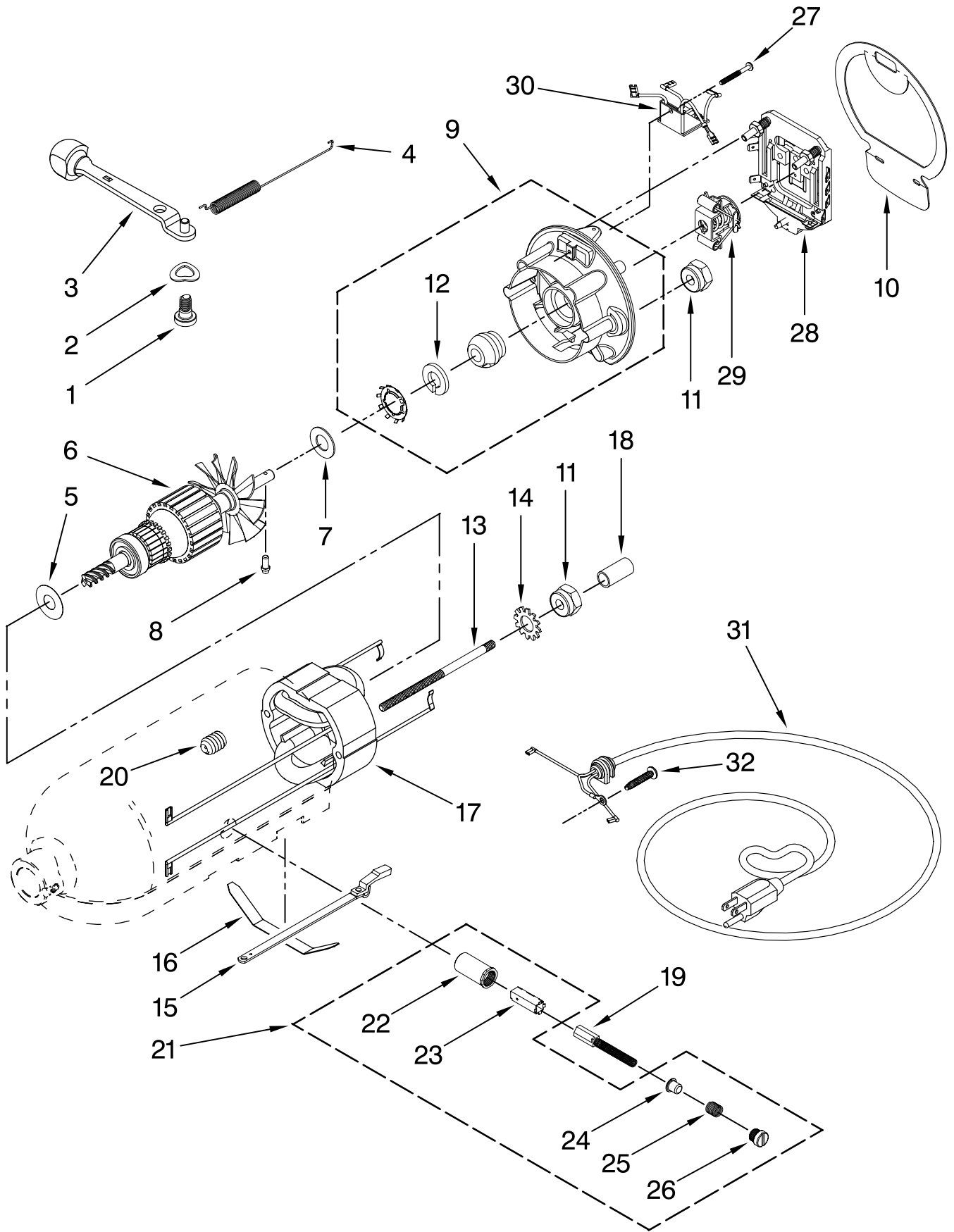
| Illus. No. | Part No. | DESCRIPTION |
|-------------------|-----------------|-------------------------------|
| 1 | ** | Gearcase Motor Housing |
| 2 | 242765-2 | Cap, Attachment Hub |
| 3 | | Thumb Screw |
| | 9709194 | Black |
| 4 | ** | Band, Trim |
| 5 | 3180161 | Washer |
| 6 | W10112253 | Worm Gear |
| 7 | 240308 | Worm Gear Bracket and Bearing |
| 8 | 9705444 | Pin |
| 9 | 240210-2 | Gear, Shaft & Pinion |
| 10 | 9705130 | Gear, Attachment Hub Bevel |
| 11 | 9709627 | Gear, Bevel Pinion & Center |
| 12 | 240026 | Shaft, Vertical Center |
| 13 | 240018-1 | Pin, Agitator Shaft |
| 14 | 9705443 | Pin, Groove |
| 15 | 4162324 | Gasket, Transmission |
| 16 | 67500-55 | O-Ring |
| 17 | 3180163 | Washer |
| 18 | ** | Lower Gear Case |
| 19 | 103994 | Screw |
| 20 | 3184052 | Shaft, Agitator |
| 21 | 9703438 | Ring, Retaining |
| 22 | 9704677 | Pin, Groove |
| 23 | 4162914 | Screw |
| 24 | ** | Cover, End |
| 25 | 311932 | Screw |
| 26 | 3400022 | Screw |
| 27 | 240309-2 | Worm Gear Bracket and Gear |
| 28 | 4160474 | Center Shaft & O-Ring |
| 29 | 8533914 | Washer, Lock |
| 30 | 3400025 | Screw, Machine |
| 31 | 3400203 | Screw, Set |
| 32 | 9703903 | Gear, Pinion |
| 33 | 9706090 | Washer |
| 34 | ** | Planetary |
| 35 | 240285 | Ring, Planetary |
| 36 | 89411 | Screw, Adjusting |
| 37 | 9703904 | Gear, Internal |
| 38 | 9702311 | Lead, Filter Control Board |
| 39 | 9705132 | RFI Filter |
| 40 | 3184086 | Screw |

**Refer to Pages 2 & 3
Color Variation Parts

FOR ORDERING INFORMATION REFER TO PARTS PRICE LIST

MOTOR AND CONTROL PARTS

For Models: 5KSM150PSE_4



FOR ORDERING INFORMATION REFER TO PARTS PRICE LIST

MOTOR AND CONTROL PARTS

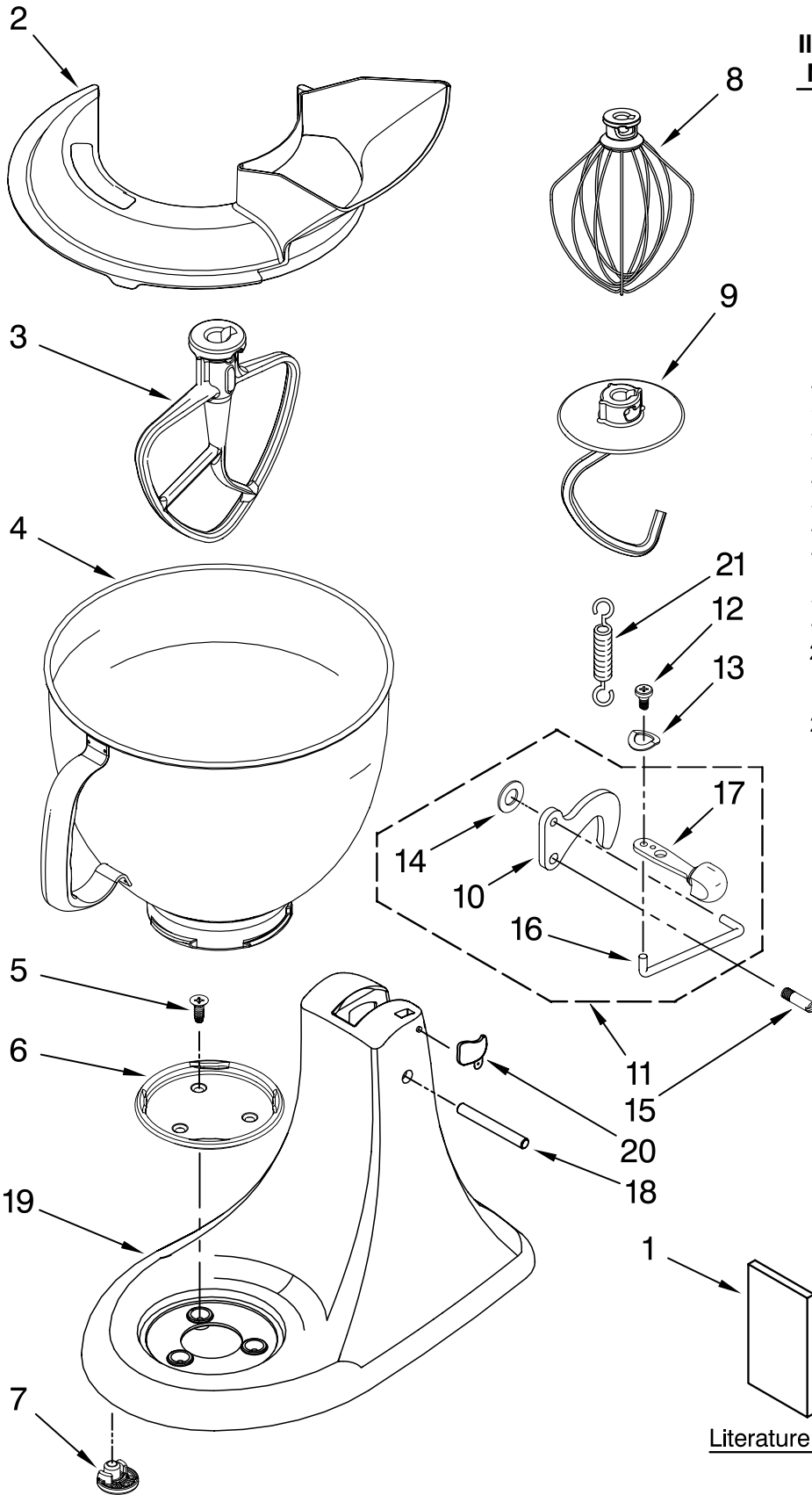
For Models: 5KSM150PSE__4

| Illus. No. | Part No. | DESCRIPTION |
|-----------------------|---------------------|---------------------------------|
| 1 | 110679 | Screw, Pivot |
| 2 | 116241 | Washer, Spring |
| 3 | | Control, Speed Assembly |
| | 9709276 | Black |
| 4 | 3183680 | Spring, Control Plate |
| 5 | 9704324 | Washer, Ball Bearing (Front) |
| 6 | 9708316 | Armature & Bearing |
| 7 | 3180162 | Washer |
| 8 | 16998 | Stud, Governor Dr |
| 9 | 3180526 | Bracket, Bearing Assembly |
| 10 | 3184356 | Seal, End |
| 11 | W10131078 | Nut, 10-24 |
| 12 | 3180238 | Washer, Felt |
| 13 | 240769 | Screw, Stator |
| 14 | W10068270 | Washer |
| 15 | 3184176 | Speed Link & Cam |
| 16 | 240205 | Spring, Flat |
| 17 | 9701670 | Field Assembly |
| 18 | 4162634 | Sleeve, Motor |
| 19 | W10260958 | Brush, Carbon |
| 20 | 9707926 | Screw |
| 21 | 4162546 | Brush Holder |
| 22 | 3179908 | Housing, Brush Holder |
| 23 | 240680 | Insert, Brush Hldr |
| 24 | 116286 | Cap, Spring Seat |
| 25 | 116287 | Spring, Cap |
| 26 | | Cap, Brush Holder |
| | 3184212 | Black |
| 27 | W10068260 | Screw |
| 28 | W10119326 | Control Plate Assy |
| 29 | 17830 | Governor Assembly |
| 30 | W10217542 | Phase Control Brd |
| 31 | | Power Cord |
| | 9702318 | White |
| | 9702319 | Black |
| 32 | 3184086 | Screw |

FOR ORDERING INFORMATION REFER TO PARTS PRICE LIST

BASE AND PEDESTAL UNIT

For Models: 5KSM150PSE_4



| Illus. No. | Part No. | DESCRIPTION |
|------------|-----------|--------------------|
| 1 | | Literature Parts |
| | 9709851 | Use & Care Guide |
| | 8212383 | Repair Parts List |
| 2 | 9709923 | Shield, Pouring |
| 3 | 9708472 | Beater, Flat |
| 4 | 9706619 | Bowl, 5 Qt. |
| 5 | 3400020 | Screw |
| 6 | W10191926 | Screw Cap Kit |
| 7 | 9709707 | Foot, Base |
| 8 | 9706446 | Whip, Wire |
| 9 | 9708471 | Hook, Dough |
| 10 | 9709055 | Latch |
| 11 | 3184200 | Latch, Link Assy |
| 12 | 110679 | Screw, Pivot |
| 13 | 116241 | Washer, Spring |
| 14 | 8533912 | Washer |
| 15 | 103993 | Screw, Latch |
| 16 | 24450 | Link, Latch |
| 17 | | Lever, Latch |
| | 9709267 | Black |
| 18 | 16910 | Pin, Hinge |
| 19 | ** | Pedestal |
| 20 | | Head Lock |
| | 3184262 | White |
| | 3184264 | Black |
| 21 | 3183690 | Spring, Lock Lever |

**REFER TO PAGES 2 & 3.
ACCESSORY PARTS

Literature Parts

FOR ORDERING INFORMATION REFER TO PARTS PRICE LIST

ACCESSORY PARTS

For Models: 5KSM150PSE__4

| Illus. No. | Part No. | DESCRIPTION |
|-----------------------|---------------------|---|
| | 4164839 | Speed Disc (Service Tool) |
| | 4160588 | Grease, Planetary |
| | 4164778 | Mixer Attachment Pak (Includes Food Grinder (FG-A), Food Strainer (FVSP), And Vegetable Slicer, (RVS-A) (FPP-A) |
| | 4164749 | Food Grinder (FG-A) |
| W10318099 | | Grain Mill (KGM) |
| | 4164768 | Pasta Maker And Food Grinder (Includes SNP Pasta Maker Plates) (SN/FG-A) |
| | 4164775 | Fruit/Vegetable Strainer Parts (Use With FG-A Model Only) (FVSP) |
| | 4164750 | Rotor Slicer/ Shredder(With 4 Standard Cones) Fine Shredder, Coarse Shredder, Thick Slicer,and Thin Slicer (RVS-A) |
| | 9704568 | Pouring Shield (KPS2CL) |
| | 4164824 | Pasta Maker Plates (SNP-A) |
| | 4164774 | Fruit/Vegetable Strainer and Food Grinder (FVS-FG-A) |
| | 3180617 | Cover, Decorative (Cotton Polyester) |
| | 4162838 | Food Tray (FT) |
| | 4164748 | Juicer (JE) |
| | 4164747 | Can Opener (CO) |
| | 4164803 | Sausage Stuffer Kit (SSA) |
| | 8212632 | Ice Cream Maker (5KICA) |
| | 3177924 | Bowl Cover, Plastic Non- Sealing |
| | 4163337 | Bowl, Stainless With Handle |
| | 3180262 | Bowl, 3 Qt. |
| | 4162160 | Bowl, Satin Stainless |

FOR ORDERING INFORMATION REFER TO PARTS PRICE LIST