

This Owner's Manual is provided and hosted by [Appliance Factory Parts](#).



KITCHENAID 5KSM150PSETG0 Owner's Manual

[Shop genuine replacement parts for KITCHENAID
5KSM150PSETG0](#)

KitchenAid®

[Find Your KITCHENAID Mixer Parts - Select From 532 Models](#)

----- Manual continues below -----

PARTS LIST

for

KitchenAid®

5 QT. STAND MIXER

ARTISAN TILT HEAD

MODELS:

5KSM150PSEWH0 (White)
5KSM150PSEBU0 (Cobalt Blue)
5KSM150PSEGP0 (Grape)
5KSM150PSEGR0 (Imperial Grey)
5KSM150PSEOB0 (Onyx Black)
5KSM150PSEAC0 (Almond Creme)
5KSM150PSECR0 (Chrome)
5KSM150PSENK0 (Nickel)
5KSM150PSEIC0 (Ice)
5KSM150PSEER0 (Empire Red)
5KSM150PSEMY0 (Majestic Yellow)
5KSM150PSEPK0 (Pink)
5KSM150PSEPT0 (Pistachio)
5KSM150PSECV0 (Cavier)
5KSM150PSETG0 (Tangerine)
5KSM150PSEMC0 (Metallic Chrome)



FOR CUSTOMER SATISFACTION ALWAYS USE
FACTORY SPECIFICATION PARTS



COLOR VARIATION PARTS

For Models: 5KSM150PSE__0



FOR ORDERING INFORMATION REFER TO PARTS PRICE LIST

COLOR VARIATION PARTS

For Models: 5KSM150PSE__0

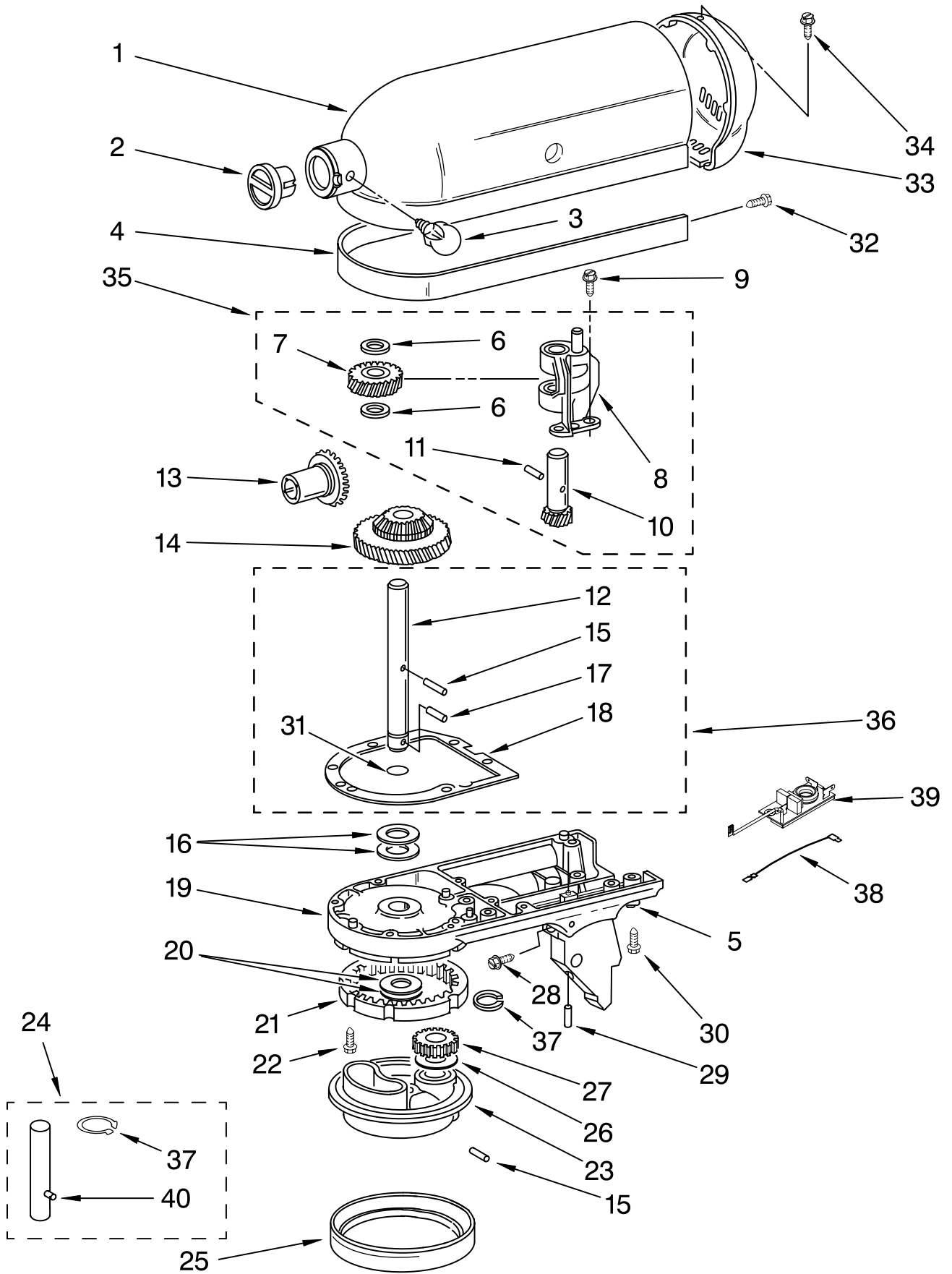
Illus. No.	Part No.	DESCRIPTION	Illus. No.	Part No.	DESCRIPTION	Illus. No.	Part No.	DESCRIPTION
1		Motor Housing	4		Planetary	6		Pedestal
	240291-1	White		240286-1	White		9701762	White
	240291-7	Cobalt Blue		240286-10	Cobalt Blue		9701768	Cobalt Blue
	9707126	Grape		9707129	Grape		9708638	Grape
	240291-22	Imperial Grey		240286-24	Imperial Grey		9703247	Imperial Grey
	240291-13	Onyx Black		240286-16	Onyx Black		9701765	Onyx Black
	240291-16	Almond Creme		240286-18	Almond Creme		9703248	Almond Creme
	240291-19	Chrome		240286-21	Chrome		9701767	Chrome
	9706461	Nickel		9706271	Nickel		9706457	Nickel
	9707662	Ice		9707665	Ice		9708866	Ice
	240291-21	Empire Red		240286-23	Empire Red		9703245	Empire Red
	240291-20	Majestic Yellow		240286-22	Majestic Yellow		9703246	Majestic Yellow
	9706473	Pink		9706475	Pink		9707362	Pink
	9706836	Pistachio		9706839	Pistachio		9709636	Pistachio
	9705243	Cavier		9705244	Cavier		9709631	Cavier
	9706849	Tangerine		9706852	Tangerine		9707934	Tangerine
	9704025	Metallic Chrome		9706670	Metallic Chrome		9707189	Metallic Chrome
2		Trim Band	5		Lower Gearcase			
	9707528	Black/Silver		240350-4	White			
3		End Cover		9701420	Cobalt Blue			
	240253-1	White		9707123	Grape			
	240253-8	Cobalt Blue		240350-86	Imperial Grey			
	9707131	Grape		240350-56	Onyx Black			
	240253-23	Imperial Grey		240350-62	Almond Creme			
	240253-14	Onyx Black		9701398	Chrome			
	240253-16	Almond Creme		9706459	Nickel			
	240253-20	Chrome		9708868	Ice			
	9706268	Nickel		240350-91	Empire Red			
	9707667	Ice		240350-93	Majestic Yellow			
	240253-22	Empire Red		9707364	Pink			
	240253-21	Majestic Yellow		9706832	Pistachio			
	9706469	Pink		9706911	Cavier			
	9706841	Pistachio		9707936	Tangerine			
	9705241	Cavier		9707219	Metallic Chrome			
	9706854	Tangerine						
	9704029	Metallic Chrome						

Colors Subject To Change.
Any Color Not Listed is
No Longer Available.
If Additional Colors Are Added,
This Page Will Be Updated.

FOR ORDERING INFORMATION REFER TO PARTS PRICE LIST

CASE, GEARING AND PLANETARY UNIT

For Models: 5KSM150PSE__0



FOR ORDERING INFORMATION REFER TO PARTS PRICE LIST

CASE, GEARING AND PLANETARY UNIT

For Models: 5KSM150PSE__0

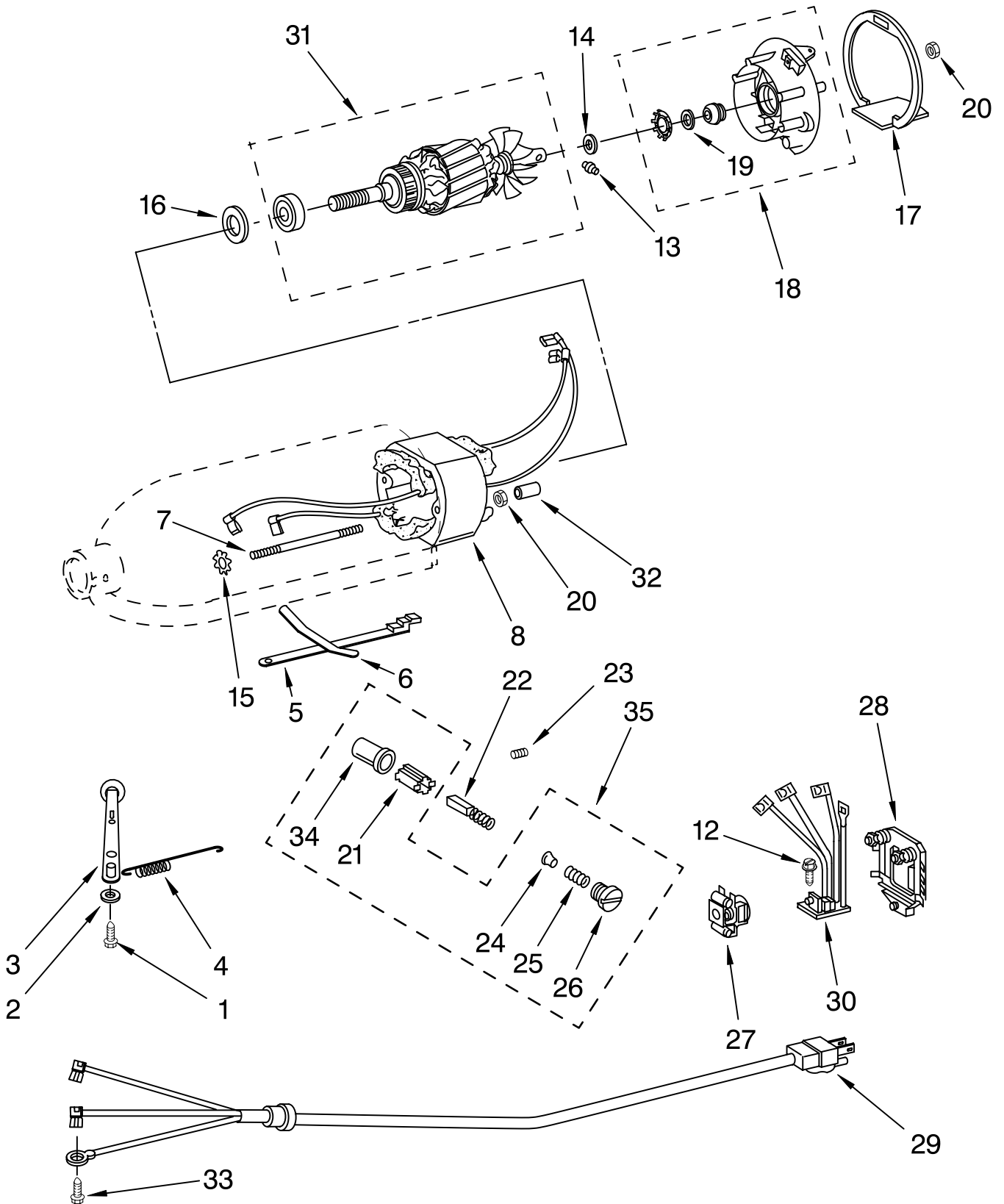
Illus. No.	Part No.	DESCRIPTION	Illus. No.	Part No.	DESCRIPTION	Illus. No.	Part No.	DESCRIPTION
1	**	Gearcase Motor Housing	14	9703905	Bevel Pinion	26	3180160	Washer
2		Cap, Attachment Hub	15	240018-1	Pin, Agitator Shaft	27	9703903	Pinion, Gear
	242765-2	Chrome Thumb Screw	16	3180163	Washer	28	4160413	Screw
3	240374	Black Band, Trim	17	9705443	Pin, Groove	29	3400203	Screw, Set
4	**	Lock Washer	18	4162324	Gasket, Transmission Case	30	3400025	Screw, Machine
5	4159479	Washer	19	**	Lower Gear Case	31	67500-55	"O" Ring
6	3180161	Washer	20	3180163	Washer	32	311932	Screw
7	4162897	Worm Gear	21	9703904	Gear, Internal	33	**	Cover, End
8	240308	Worm Gear Bracket And Bearing	22	103994	Screw	34	4162914	Screw
9	3400022	Screw	23	**	Planetary	35	240309-2	Worm Gear Bracket and Gear
10	240210-2	Shaft & Pinion	24	3184052	Agitator Shaft	36	4160474	Center Shaft & "O" Ring
11	9705444	Pin	25		Ring, Planetary	37	9703438	Ring
12	240026	Shaft, Vertical Center		240285-2	Polished Finish	38	9702311	Lead, Filter Control Board
13	9703907	Gear, Attachment Hub Bevel		240285	Standard Finish	39	9705132	RFI Filter
						40	9704677	Pin, Groove

**Refer to Page 2
Color Variation Parts

FOR ORDERING INFORMATION REFER TO PARTS PRICE LIST

MOTOR AND CONTROL PARTS

For Models: 5KSM150PSE__0



FOR ORDERING INFORMATION REFER TO PARTS PRICE LIST

MOTOR AND CONTROL PARTS

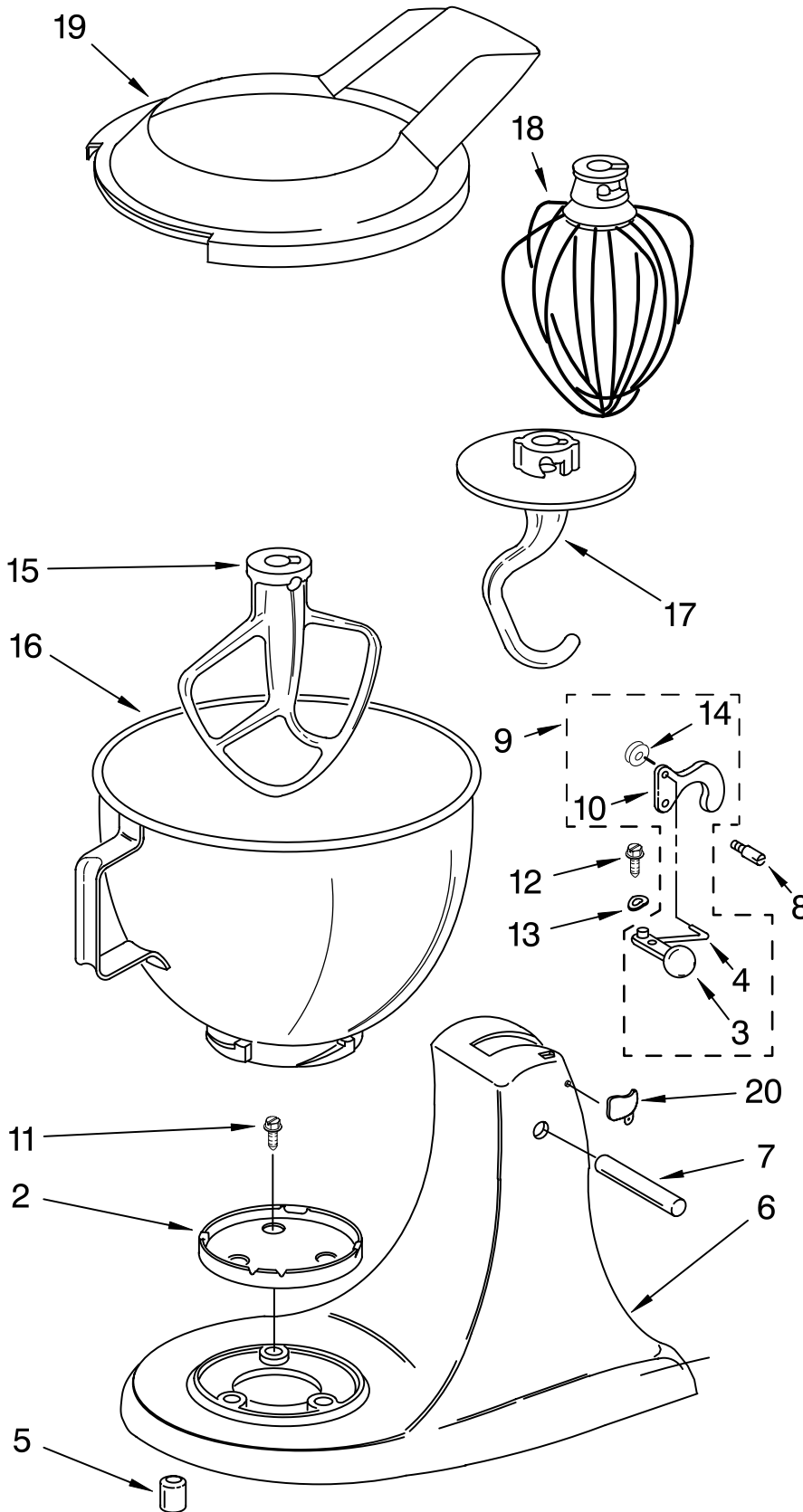
For Models: 5KSM150PSE__0

Illus. No.	Part No.	DESCRIPTION	Illus. No.	Part No.	DESCRIPTION	Illus. No.	Part No.	DESCRIPTION
1	110679	Screw, Pivot	15	3400900	Washer	27	17830	Governor Assembly
2	116241	Washer, Spring	16	9704324	Washer, Ball	28	240904-2	Control Plate
3		Switch Lever			Bearing (Front)			Assembly
		And Stud	17	3184356	Seal, End	29		Power Cord
	3184193	Black	18	3180526	Bracket, Bearing		9702318	White
4	3183680	Spring, Control Plate			Asm.		9702319	Black
5	3184176	Speed Link & Cam	19	3180238	Washer	30	9706596	Phase Control Board
6	240205	Spring, Flat	20	8533905	Nut, Machine	31	9708316	Armature & Bearing
7	240769	Screw, Stator	21	240680	Insert, Brush Holder	32	4162634	Sleeve, Motor Stud
8	9701670	Field Assembly	22	9706416	Brush, Carbon	33	3184086	Screw
12	3400402	Screw	23	9707926	Screw	34	3179908	Housing, Brush Holder
13	16998	Stud, Governor Drive	24	116286	Cap, Spring Seat	35	4162546	Brush Holder
14	3180162	Washer	25	116287	Spring, Cap			
			26		Cap, Brush Holder			
				3184212	Black			

FOR ORDERING INFORMATION REFER TO PARTS PRICE LIST

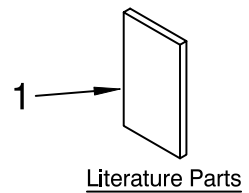
BASE AND PEDESTAL UNIT

For Models: 5KSM150PSE_0



Illus. No.	Part No.	DESCRIPTION
1		Literature Parts
	9709309	Use & Care Guide
	8212008	Repair Parts List
2	4162529	Screw Cap Kit
3		Lever, Latch
	3184178	Black
4	24450	Link, Latch
5	115792	Foot, Base
6	**	Pedestal
7	16910	Pin, Hinge
8	103993	Screw, Latch Bearing
9	3184200	Latch, Link Assy
10	240494-2	Latch
11	3400020	Screw,
12	110679	Screw, Pivot
13	116241	Washer, Spring
14	4159598	Washer
15		Beater, Flat
	9707944	Coated, White
16	9706619	Bowl And Base
17	9707671	Dough Hook
18	9704329	Wire Whip
19	3177975	Pouring Shield
20		Head Lock
	3184262	White
	3184264	Black

**REFER TO PAGES 2 & 3.



FOR ORDERING INFORMATION REFER TO PARTS PRICE LIST

ACCESSORY PARTS

For Models: 5KSM150PSE__0

Illus. No.	Part No.	DESCRIPTION	Illus. No.	Part No.	DESCRIPTION	Illus. No.	Part No.	DESCRIPTION
	4164839	Speed Disc (Service Tool)		4164775	Fruit/Vegetable Strainer Parts (Use With FG-A Model Only) (FVSP)		3180617	Cover, Decorative (Cotton Polyester)
	4160588	Grease, Planetary					4162838	Food Tray (FT)
	4164778	Mixer Attachment Pak (Includes Food Grinder (FG-A), Food Strainer (FVSP), And Vegetable Slicer, (RVS-A) (FPP-A)		4164750	Rotor Slicer/ Shredder(With 4 Standard Cones) Fine Shredder, Coarse Shredder, Thick Slicer, and Thin Slicer (RVS-A)		4164748	Juicer (JE)
	4164749	Food Grinder (FG-A)		9704568	Pouring Shield (KPS2CL)		4164747	Can Opener (CO)
	4164751	Grain Mill (GM-A)		4164824	Pasta Maker Plates (SNP-A)		4164803	Sausage Stuffer Kit (SSA)
	4164768	Pasta Maker And Food Grinder (Includes SNP Pasta Maker Plates) (SN/FG-A)		4164774	Fruit/Vegetable Strainer and Food Grinder (FVS-FG-A)		9707963	Ice Cream Maker Attachment (KICA)
							3177924	Bowl Cover, Plastic Non- Sealing
							4163337	Bowl, Stainless With Handle
							3180262	Bowl, 3 Qt.
							4162160	Bowl, Satin Stainless

FOR ORDERING INFORMATION REFER TO PARTS PRICE LIST