

# PARTS LIST

for

# **KitchenAid®**

## **4 1/2 QT. STAND MIXER**

### **EUROPEAN – TILT**

**MODEL:**

**5KSM45EWH4 (White)**



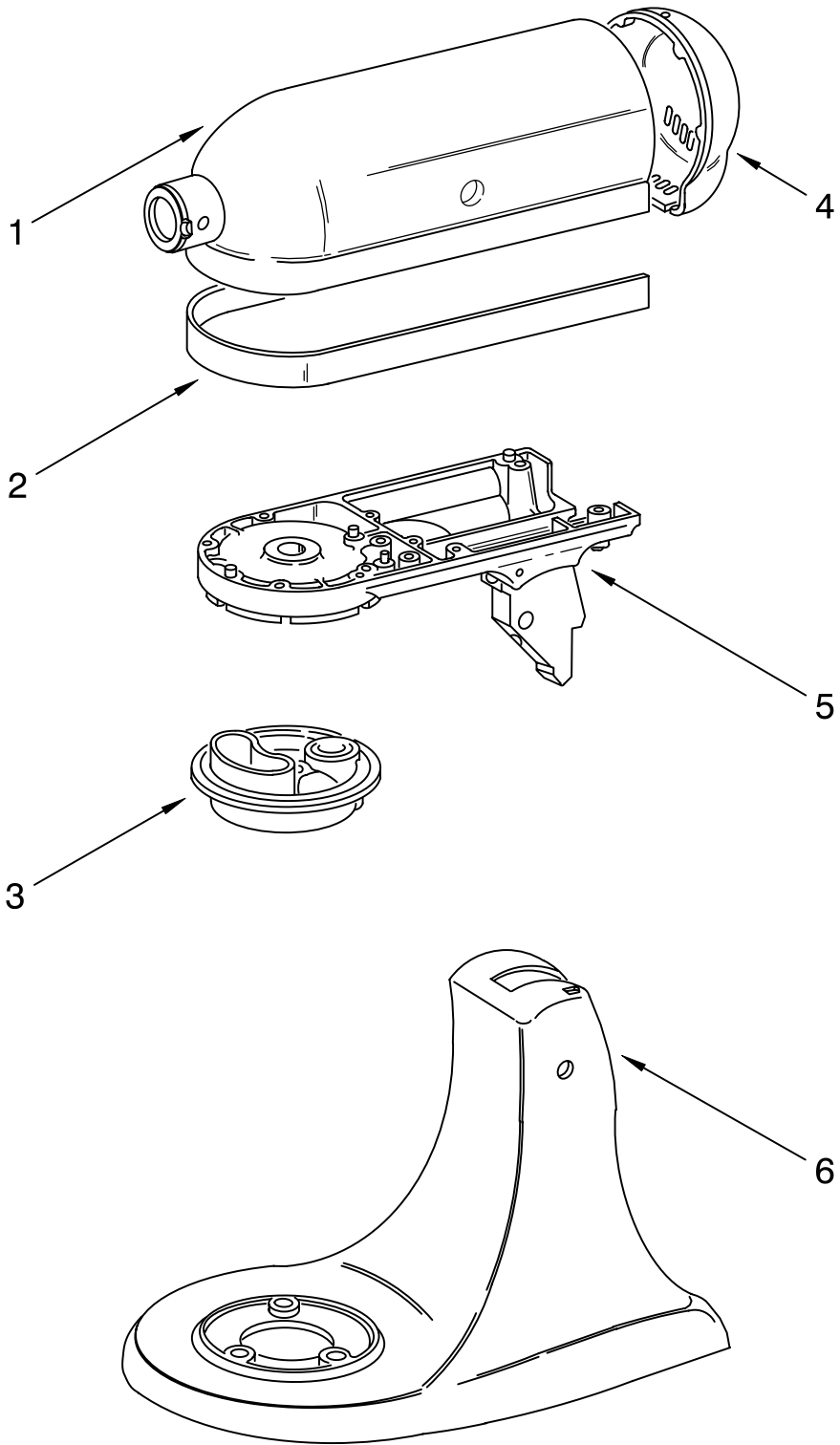
FOR CUSTOMER SATISFACTION ALWAYS USE  
FACTORY SPECIFICATION PARTS



# COLOR VARIATION PARTS

For Variations of Model: 5KSM45E\_\_4

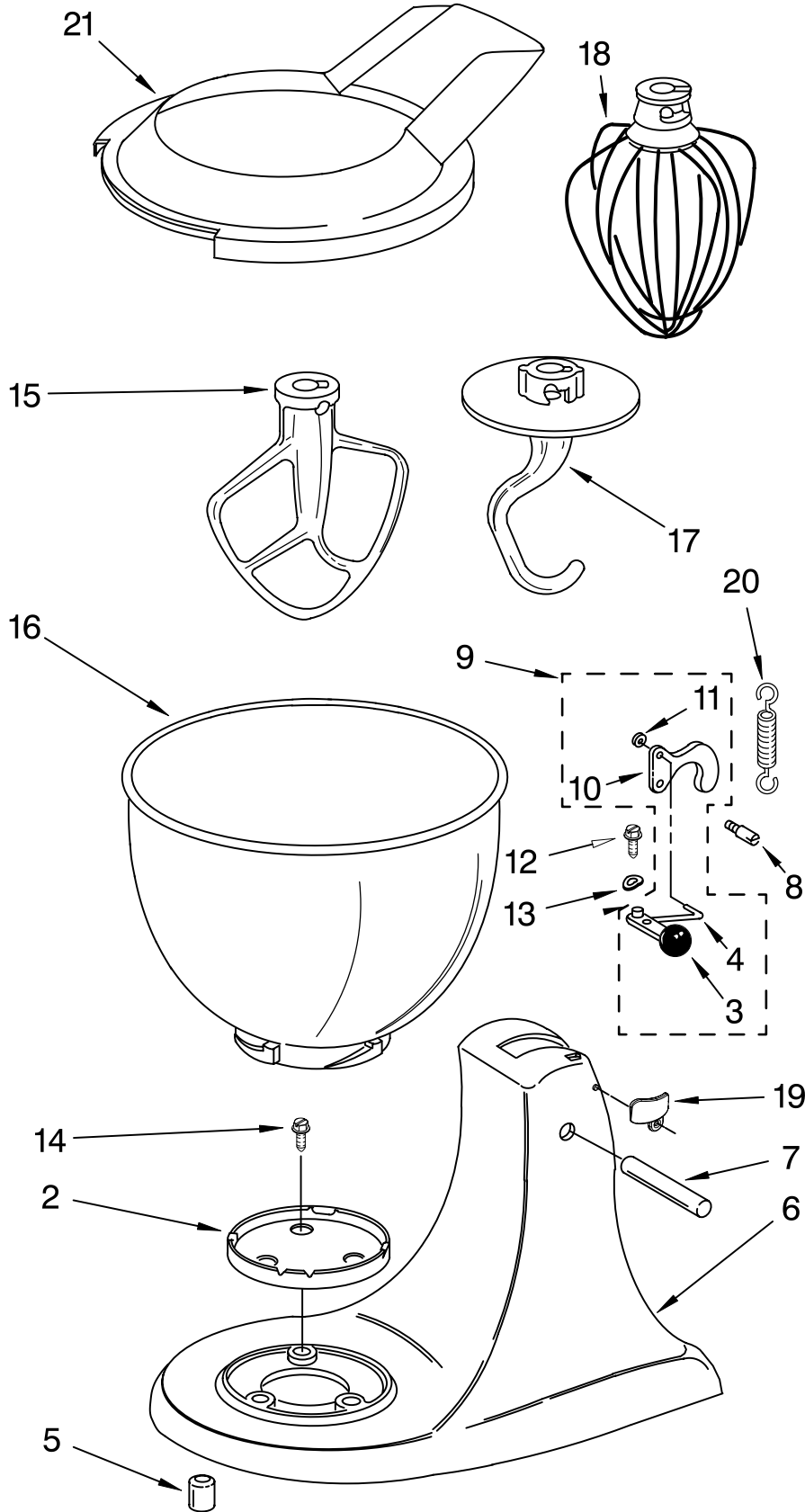
| Illus. No. | Part No. | DESCRIPTION              |
|------------|----------|--------------------------|
| 1          | 240291-1 | Motor Housing<br>White   |
| 2          | 9704649  | Trim Band<br>Black       |
| 3          | 240286-1 | Planetary<br>White       |
| 4          | 240253-1 | End Cover<br>White       |
| 5          | 240350-4 | Lower Gearcase<br>White  |
| 6          | 3184273  | Pedestal & Foot<br>White |



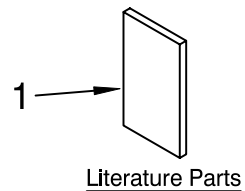
FOR ORDERING INFORMATION REFER TO PARTS PRICE LIST

# BASE AND PEDESTAL UNIT

For Variations of Model: 5KSM45E\_\_4



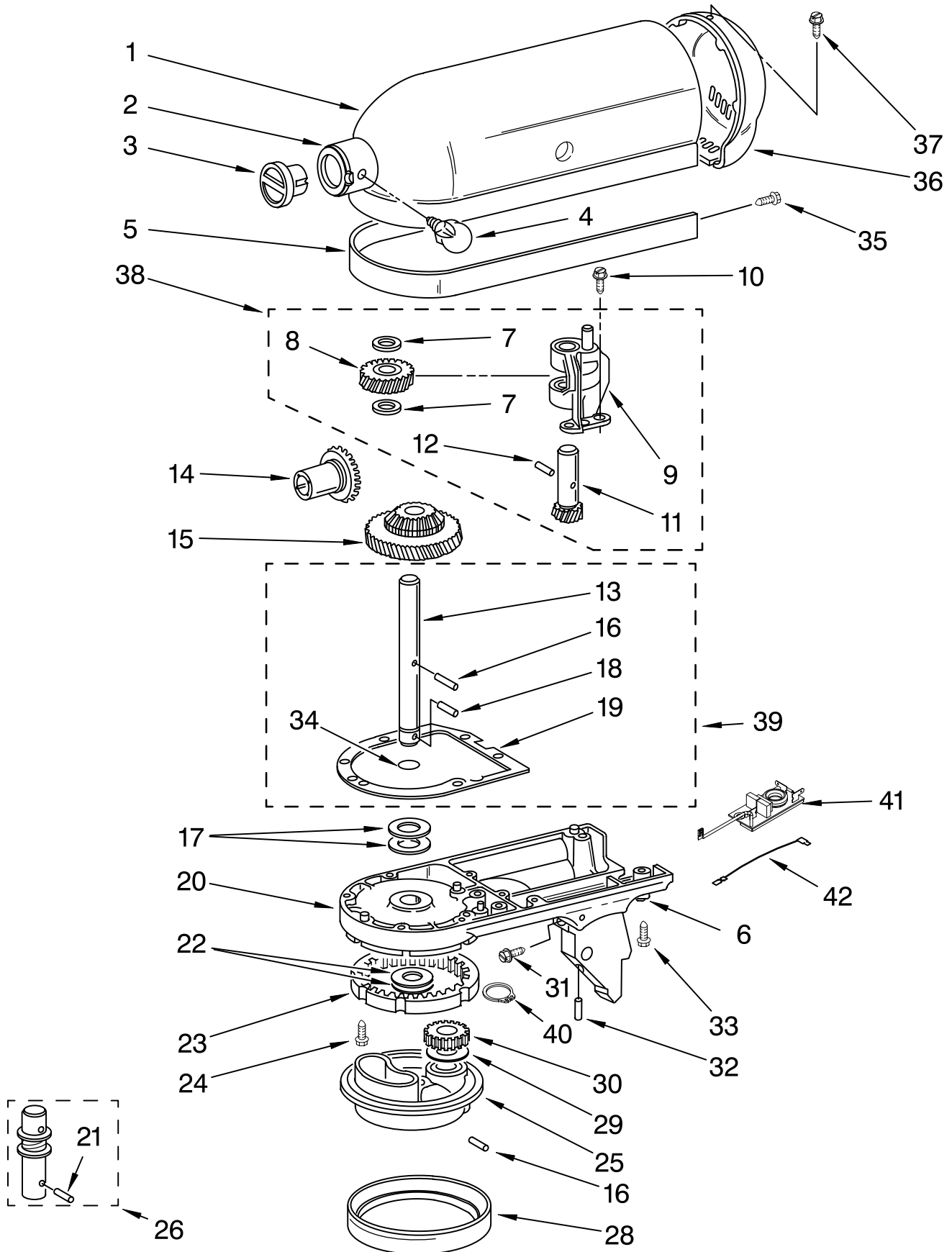
| Illus. No. | Part No. | DESCRIPTION                  |
|------------|----------|------------------------------|
| 1          |          | Literature                   |
|            | 9709851  | Use & Care Guide             |
|            | 8212377  | Repair Parts List            |
| 2          | 4162529  | Screw Cap Kit                |
| 3          | 9709267  | Lever, Latch                 |
| 4          | 24450    | Link, Latch                  |
| 5          | 115792   | Foot                         |
| 6          | **       | Pedestal & Foot              |
| 7          | 16910    | Pin, Hinge                   |
| 8          | 103993   | Screw, Latch Bearing         |
| 9          | 3184200  | Latch, Link & Lever Assembly |
| 10         | 9709055  | Latch                        |
| 11         | 8533912  | Washer                       |
| 12         | 110679   | Screw                        |
| 13         | 116241   | Washer, Spring               |
| 14         | 3400020  | Screw                        |
| 15         | 9708470  | Beater, Flat                 |
| 16         | 4169926  | Bowl And Base (4 1/2 Qt.)    |
| 17         | 9708471  | Dough Hook                   |
| 18         | 9706446  | Wire Whip                    |
| 19         |          | Headlock                     |
|            | 3184262  | White                        |
| 20         | 3183690  | Spring, Lock Lever           |
| 21         | 9706633  | Shield, Pouring              |



FOR ORDERING INFORMATION REFER TO PARTS PRICE LIST

# CASE, GEARING AND PLANETARY UNIT

For Variations of Model: 5KSM45E\_\_4



FOR ORDERING INFORMATION REFER TO PARTS PRICE LIST

# CASE, GEARING AND PLANETARY UNIT

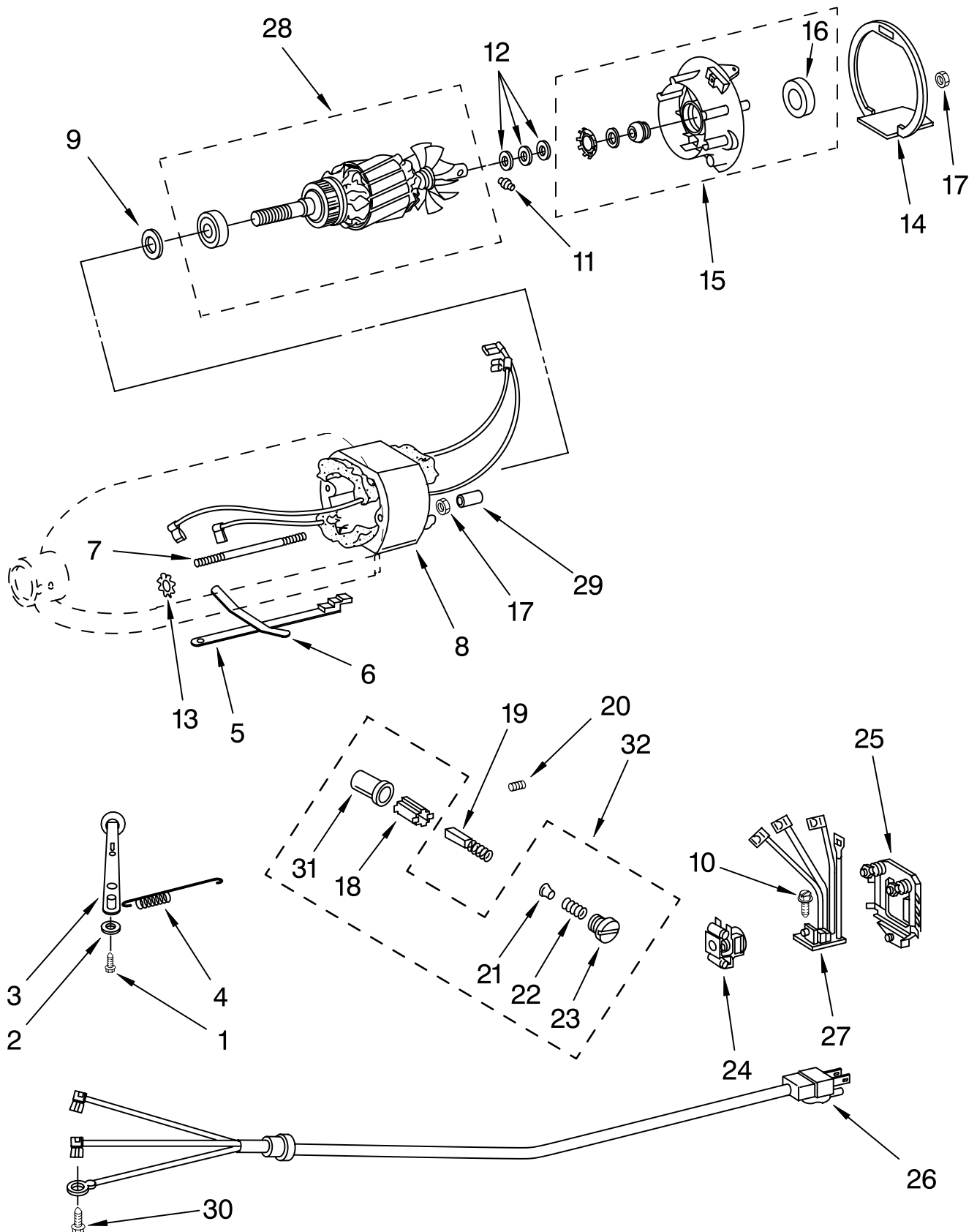
For Variations of Model: 5KSM45E\_\_4

| Illus. No. | Part No. | DESCRIPTION                   | Illus. No. | Part No. | DESCRIPTION                 | Illus. No. | Part No. | DESCRIPTION                     |
|------------|----------|-------------------------------|------------|----------|-----------------------------|------------|----------|---------------------------------|
| 1          | **       | Gearcase Motor Housing        | 15         | 9709627  | Bevel Pinion & Center Gear  | 29         | 9706090  | Washer, Shim                    |
| 2          | 16897    | Ring, Attachment Hub          | 16         | 240018-1 | Pin (Vertical Center Shaft) | 30         | 9703903  | Pinion, Gear                    |
| 3          | 242765-2 | Cap, Attachemnt Hub           | 17         | 3180163  | Washer, Fiber               | 31         | 89411    | Screw                           |
| 4          | 9709194  | Thumb Screw                   | 18         | 9705443  | Pin, Groove                 | 32         | 3400203  | Screw, Set                      |
| 5          | **       | Band, Trim                    | 19         | 4162324  | Gasket, Transmission Case   | 33         | 3400025  | Screw                           |
| 6          | 8533914  | Lock Washer                   | 20         | **       | Lower Gear Case             | 34         | 67500-55 | "O" Ring                        |
| 7          | 3180161  | Washer, Shim                  | 21         | 9704677  | Pin, Groove                 | 35         | 311932   | Screw, Self Tapping             |
| 8          | 4162897  | Worm Gear                     | 22         | 3180163  | Washer, Fiber               | 36         | **       | Cover, End                      |
| 9          | 240308   | Worm Gear Bracket And Bearing | 23         | 9703904  | Gear, Internal              | 37         | 4162914  | Screw                           |
| 10         | 3400022  | Screw                         | 24         | 103994   | Screw, Special              | 38         | 240309-2 | Worm & Pinion Gears Assembly    |
| 11         | 240210-2 | Gear, Shaft and Pinion        | 25         | **       | Planetary                   | 39         | 4160474  | Center Shaft & "O" Ring         |
| 12         | 9705444  | Pin (Worm Gear)               | 26         | 3184052  | Agitator Shaft Assembly     | 40         | 9703438  | Ring                            |
| 13         | 240026   | Shaft, Vertical Center        | 28         | 240285   | Ring, Planetary Drip        | 41         | 9705132  | RFI Filter                      |
| 14         | 9705130  | Gear, Attachment Hub Bevel    |            |          |                             | 42         | 9702311  | Lead, Filter (to Control Board) |

\*\*Refer to Page 2  
Color Variation Parts

# MOTOR AND CONTROL PARTS

For Variations of Model: 5KSM45E\_\_4



FOR ORDERING INFORMATION REFER TO PARTS PRICE LIST

# MOTOR AND CONTROL PARTS

For Variations of Model: 5KSM45E\_\_4

| <b>Illus.<br/>No.</b> | <b>Part<br/>No.</b> | <b>DESCRIPTION</b>               |
|-----------------------|---------------------|----------------------------------|
| 1                     | 110679              | Screw, Pivot                     |
| 2                     | 116241              | Washer, Spring                   |
| 3                     | 9709276             | Switch Lever<br>And Stud         |
| 4                     | 3183680             | Spring, Control<br>Plate         |
| 5                     | 3184176             | Speed Link & Cam                 |
| 6                     | 240205              | Spring, Flat                     |
| 7                     | 240769              | Screw, Stator                    |
| 8                     | 9701670             | Field Assembly                   |
| 9                     | 9704324             | Washer, Ball<br>Bearing (Front)  |
| 10                    | W10068260           | Screw                            |
| 11                    | 16998               | Stud, Governor<br>Drive          |
| 12                    | 3180162             | Washer, Spacing                  |
| 13                    | W10068270           | Washer                           |
| 14                    | 3184356             | Seal, End                        |
| 15                    | 3180526             | Bracket, Bearing<br>Asm.         |
| 16                    | 3180238             | Washer                           |
| 17                    | 8533905             | Nut, Machine                     |
| 18                    | 240680              | Insert, Brush<br>Holder          |
| 19                    | 9706416             | Brush, Carbon                    |
| 20                    | 9707926             | Screw, Set                       |
| 21                    | 116286              | Cap, Spring<br>Seat              |
| 22                    | 116287              | Spring, Cap                      |
| 23                    |                     | Cap, Brush Holder<br>Black       |
| 24                    | 3184212             |                                  |
| 24                    | 17830               | Governor Assembly                |
| 25                    | 240904-2            | Control Plate<br>Assembly        |
| 26                    |                     | Cord, Power<br>White (European)  |
| 27                    | 9702318             |                                  |
| 27                    | 9706596             | Board, Phase<br>Control          |
| 28                    | 9708316             | Armature &<br>Bearng Assy (240V) |
| 29                    | 4162634             | Sleeve, Motor<br>Stud            |
| 30                    | 3184086             | Screw                            |
| 31                    | 3179908             | Housing, Brush<br>Holder         |
| 32                    | 4162546             | Brush Holder<br>Assembly         |

FOR ORDERING INFORMATION REFER TO PARTS PRICE LIST

# ACCESSORY PARTS

For Variations of Model: 5KSM45E\_\_4

| <b>Illus.<br/>No.</b> | <b>Part<br/>No.</b> | <b>DESCRIPTION</b>   |
|-----------------------|---------------------|--|
|                       | 4164778             | Mixer Attachment Pak (Includes Food Grinder (FGA), Food Strainer (FVSP), And Vegetable Slicer, (RVSA) (FPPA)       |
|                       | 4164749             | Food Grinder (FGA)   |
|                       | 8211924             | Grain Mill (KGMA)  |
|                       | 4164768             | Pasta Maker And Food Grinder (Includes SNP Pasta Maker Plates) (SN/FGA)  |
|                       | 4164775             | Fruit/Vegetable Strainer Parts (Use With FGA Model Only) (FVSP)  |
|                       | 4164750             | Rotor Slicer/Shredder (With 4 Standard Cones) Fine Shredder, Coarse Shredder, Thick Slicer, And Thin Slicer (RVSA) |
|                       | 3177975             | Pouring Shield (KPS2CL)  |
|                       | 4164824             | Pasta Maker Plates (SNPA)  |
|                       | 4164774             | Fruit/Vegetable Strainer And Food Grinder (FVS/FGA)  |
|                       | 3180617             | Cover, Decorative (Cotton Polyester)   |
|                       | 4162838             | Food Tray (FT)   |
|                       | 4164748             | Juicer (JE)  |
|                       | 4164747             | Can Opener (CO)  |
|                       | 4164803             | Sausage Stuffer Kit (SSA)  |
|                       | 3177924             | Bowl Cover, Plastic Non-Sealing  |
|                       | 4163337             | Bowl, Stainless With Handle  |
|                       | 3180262             | Bowl, 3 Qt.  |
|                       | 4162160             | Bowl, Satin Stainless  |
|                       | 9707963             | Ice Cream Maker (KICA)   |
|                       | 4176452             | Pouring Shield (International)   |

FOR ORDERING INFORMATION REFER TO PARTS PRICE LIST