

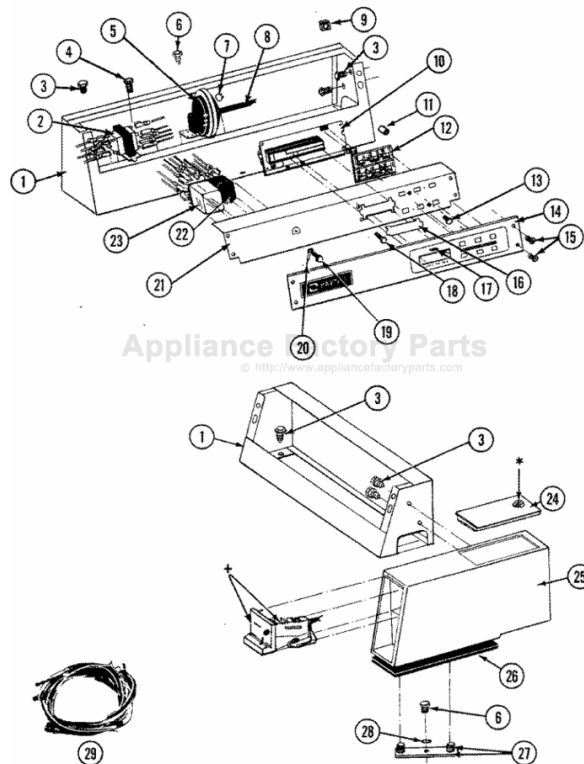
This Owner's Manual is provided and hosted by Appliance Factory Parts.



MAYTAG GA26CDC Owner's Manual

**Shop genuine replacement parts for MAYTAG
GA26CDC**

CONTROL PANEL



Find Your MAYTAG Washer Parts - Select From 1759 Models

----- Manual continues below part list -----

Available Replacement Parts for MAYTAG GA26CDC

211100	NLA 08/18 AUTO FIBERWASHR
211047	USE WP6-2110472 NUT- CLAMP AW
210684	USE WP210684 PAD DR
203956	KIT-DAMPER DR
WP211232	SEAL DR
6-2095720	MOUNTING S AW AFTERMARKET
WP211726	BALL DR
WP213045	DRAIN HOSE DR
WP6-2008160	PULLEY-MOTOR **new**

Repair Parts List

MODEL NUMBER
GA26CDC

WASHER

When requesting service or ordering parts, always provide the following information:

- Product Type
- Part Number
- Model Number
- Part Description

MAYTAG®

©2005 Maytag Services

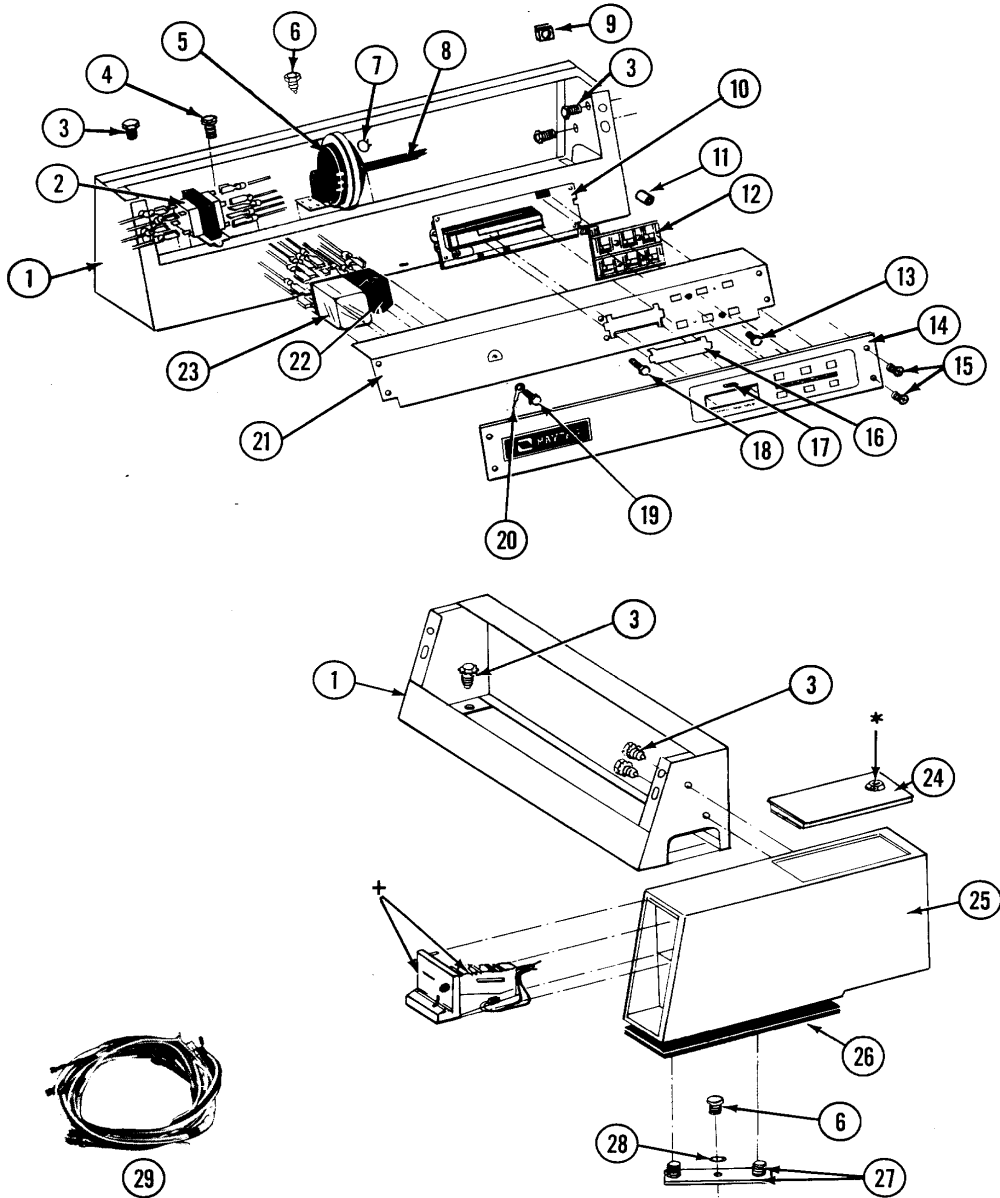
Section: CONTROL PANEL

Model: GA26CDC

Section: CONTROL PANEL

P/N 16000213R1

Models: A26CD A26CDC



*See pages 6 & 7 for coin rejector assemblies.

*Contact your commercial parts distributor for locks & keys.

11/91

Section: CONTROL PANEL

No.	Part No.	Description	Series	Qty	
1	N 206780M	CONTROL COVER ASSY	01	1	
2	207766	TRANSFORMER	01	1	
3	212276	SCREW	01	1	
4	313559	SCREW	01	1	
5	203263	SWITCH, WATER LEVEL	01	1	
6	211294	SCREW	01	1	
7	410296	CLAMP, WATER LEVEL SWTCH TUBE	01	1	
8	212942	AIR DOME AND TUBE	01	1	
9	215003	FASTENER	01	2	
10	206828	BATTERY	01	1	
10	912077	LOCKNUT	01	4	
10	N 206781	CIRCUIT BOARD ASSY	01	1	
11	215513	SPACER CIRCUIT BOARD	01	4	
12	215517	PUSHBUTTON	01	2	
12	206808	CONTROL SWITCH ASSY.	01	1	
13	215527	SCREW	01	2	
14	215519	PANEL, CONTROL	01	1	
15	215506	SCREW, TORX	01	4	
16	215515	DISPLAY COVER	01	1	
17	214610	BUMPER, LID	01	2	
18	215526	SCREW	01	2	
19	314322	SCREW, #8-32 X 3/8 INCH	01	1	
20	205810	WIRE, GROUND	01	1	
21	N 206825M	BACK BRACKET ASSY	01	1	
22	206824	RELAY, SPST 24VDC	01	1	
23	206421	RELAY-MOTOR REVERSING	01	1	
23	212949	SCREW	01	1	
24	203188M	ACCESS DOOR-HARVEST WHEAT	01	1	
25	N 207940M	CONTROL CENTER CASE HARVEST WH	01	1	
26	214660	GASKET, METER CASE	01	1	
27	N 203307	MTG. STRAP----NA	01	1	
28	910309	WASHER	01	1	
29	N 206806	WIRE HARNESS	NLA	01	1

*Color Code (-)=Not Shown #=Series, Serial Prefix or Run No., N=Not Available

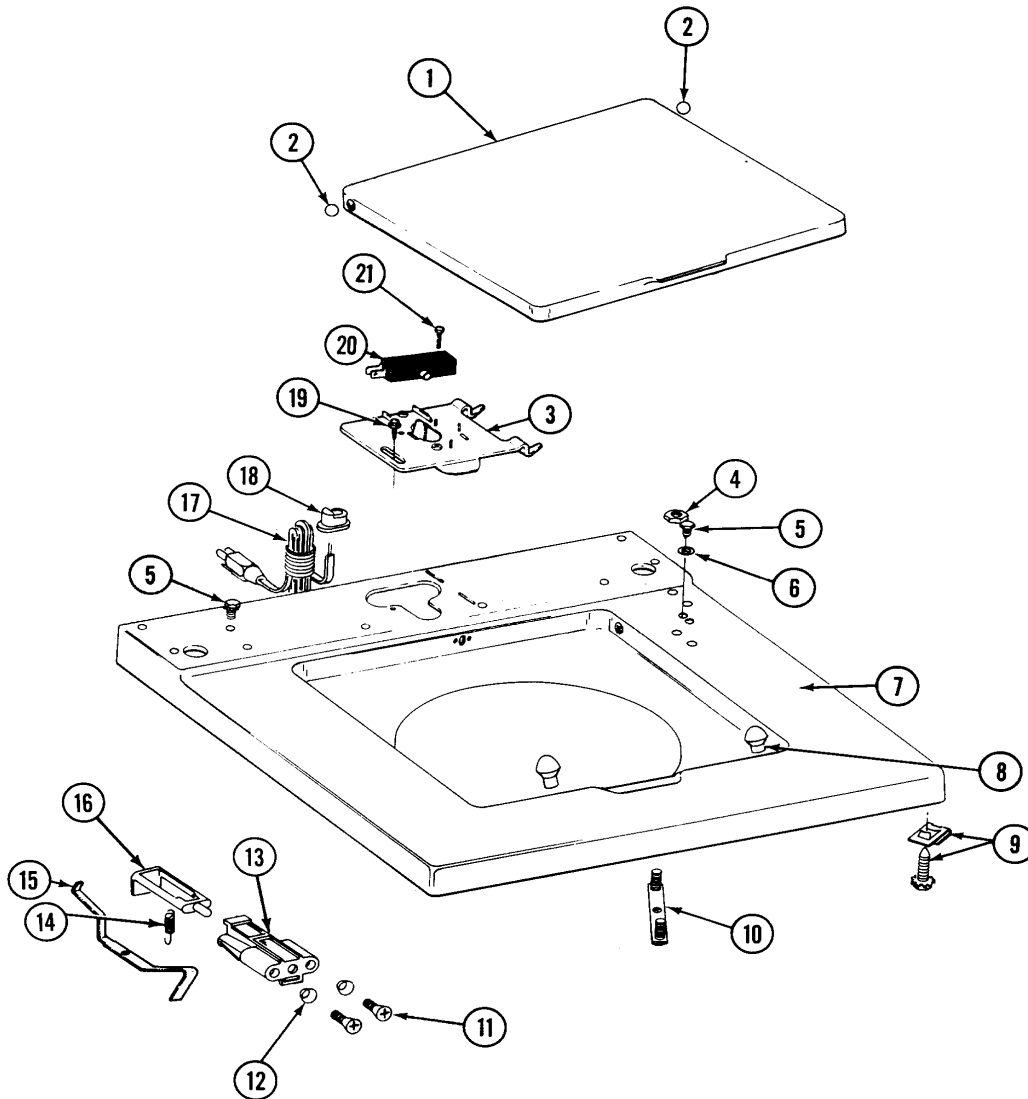
Section: TOP

Model: GA26CDC

Section: TOP

P/N 16000213R1

Models: A26CD A26CDC



11/91

Section: TOP

No.	Part No.	Description	Series	Qty
1	N 214901M	LID-HARVEST WHEAT	01	1
2	211726	HINGE, BALL	01	2
3	215699	BRACKET, SWITCH & FUSE	01	1
4	052740	NUT	01	1
5	211294	SCREW	01	2
6	910309	WASHER	01	1
7	N 207173M	TOP COVER ASSY WVT WHEAT	01	1
8	212716	BUMPER, LID	01	2
9	204445	SCREW & FASTENER ASY.	01	2
10	N 203307	MTG. STRAP----NA	01	1
11	910182	SCREW	01	2
12	211500	WASHER, BRACKET TO TOP COVER	01	2
13	204968	PLUNGER & BRACKET ASSEMBLY	01	1
14	213720	SPRING	01	1
15	215704	UNBALANCE LEVER	01	1
16	N 215700	LID SWITCH PLUNGER	01	1
17	204590	POWER CORD	01	1
18	211881	GROMMET, CORD	01	1
19	207159	SCREW	01	1
20	205415	SWITCH, LID (W/O TUB LIGHT)	01	1
21	213501	SCREW, #6-20 X 1-1/8 INCH	01	2

*Color Code (-)=Not Shown #=Series, Serial Prefix or Run No., N=Not Available

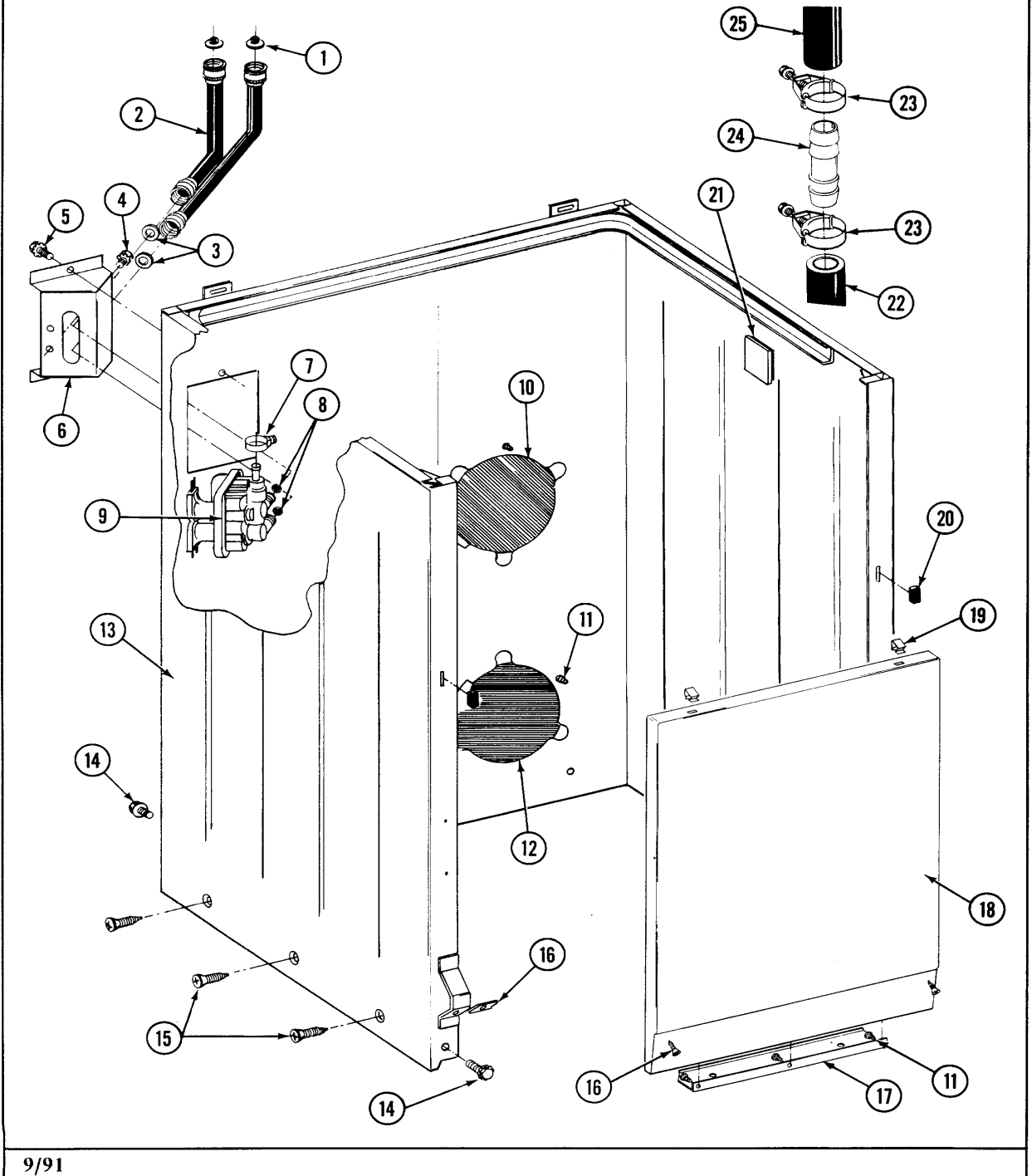
Section: CABINET

Model: GA26CDC

Section: CABINET

P/N 16000213

Models: A26CD A26CDC



9/91

Section: CABINET

No.	Part No.	Description	Series	Qty
1	200961	SCREEN WASHER, INLET HOSE	01	2
2	205828	HOSE, INLET ASSY.	01	2
3	013783	GASKET, INLET HOSE	01	2
4	N 313561	SCREW----NA	01	2
5	212276	SCREW	01	1
6	214812	BRACKET,WATER VALVE	01	1
7	201575	HOSE CLAMP	01	1
8	214337	SCREEN, VALVE	01	1
9	205614	WATER VALVE 120V 60HZ	01	1
10	N 211878	PLATE, ACCESS	01	1
11	211294	SCREW	01	5
12	212985	PLATE, ACCESS (W/HOLE)	01	1
13	N 203319M	CABINET-HARVEST WHEAT	01	1
14	213121	SCREW	01	3
15	213007	SCREW, CABINET	01	6
16	204439	SCREW & FSTNER ASSY(FRT.PANEL)	01	2
17	213846	GUARD, BELT	01	1
18	N 212998M	FRONT PANEL-HARVEST WHEAT	01	1
19	212982	FASTENER, PANEL	01	2
20	214376	SPACER, FRONT PANEL	01	2
21	215058	PAD, CABINET BUMPER	01	2
22	214768	DRAIN HOSE, 4 FOOT	01	2
23	200461	HOSE CLAMP - 1-5/8 INCH	01	2
24	211111	HOSE COUPLING	01	1
25	215057	DRAIN HOSE	01	1

*Color Code (-)=Not Shown #=Series, Serial Prefix or Run No., N=Not Available

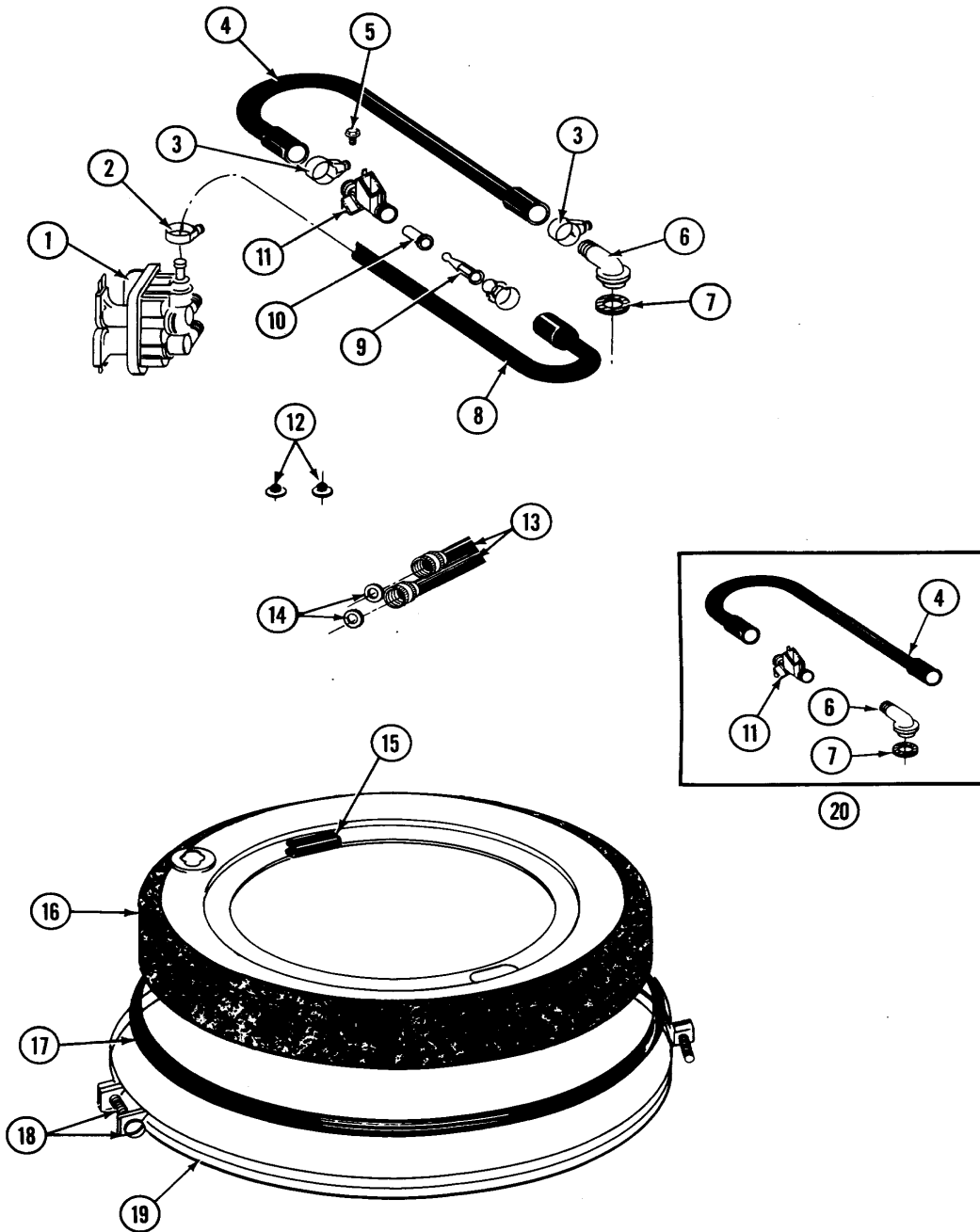
Section: TUB COVER

Model: GA26CDC

Section: TUB

P/N 16000213

Models: A26CD A26CDC



9/91

10

MA70E3

Section: TUB COVER

No.	Part No.	Description	Series	Qty
1	205614	WATER VALVE 120V 60HZ	01	1
2	201575	HOSE CLAMP	01	1
3	202515	HOSE CLAMP - 1-1/16 INCH	01	3
4	215234	INJECTOR FILL HOSE	01	1
5	312620	SEMS SCREW, #10-16 X 1/2"	01	1
6	215235	INJECTOR TUBE	01	1
7	215233	SEAL FOR INJECTOR TUBE	01	1
8	213013	HOSE, INJECTOR	01	1
9	213015	INJECTOR NOZZLE	01	1
10	213016	VALVE FOR INJECTOR SUB	01	1
11	215447	SLEEVE FOR INJECTOR	01	1
12	200961	SCREEN WASHER, INLET HOSE	01	2
13	205828	HOSE, INLET ASSY.	01	2
14	013783	GASKET, INLET HOSE	01	2
15	215232	UNBALANCE BUMPER	01	1
16	206380	TUB COVER	01	1
17	211232	SEAL	01	1
18	205529	NUT & BOLT KIT FOR TUB CLAM	01	2
19	200846	CLAMP - TUB COVER	01	2
20	206683	INJECTOR HOSE KIT	01	1

*Color Code (-)=Not Shown #=Series, Serial Prefix or Run No., N=Not Available

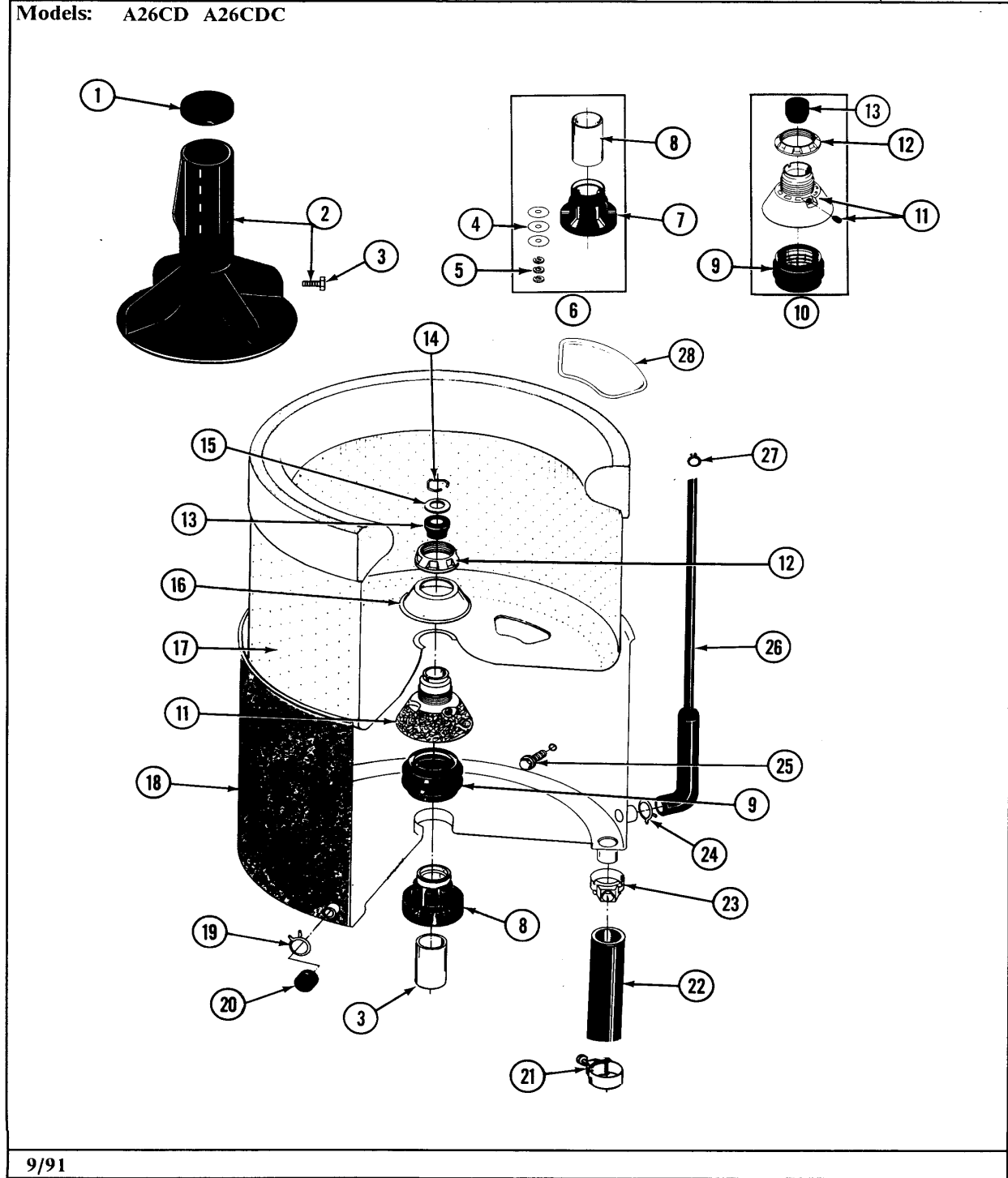
Section: TUB

Model: GA26CDC

Section: TUB

P/N 16000213

Models: A26CD A26CDC



9/91

12

MA70E5

Section: TUB

No.	Part No.	Description	Series	Qty
1	215532	AGITATOR CAP - BLACK	01	1
2	207119	AGITATOR W/LOCK SCREW	01	1
3	206478	SCREW & WASHER FOR AGITATOR	01	1
4	211100	WASHER, CUSHION	01	3
5	054867	WASHER, LOCK	01	3
6	204013	TUB BEARING REPAIR KIT	01	1
7	200824	BEARING, TUB	01	1
8	211130	LINER, TUB BEARING	01	1
9	201537	SEAL AND SPRING	01	1
10	204012	MOUNTING STEM REPAIR KIT	01	1
11	202521	MOUNTING STEM	01	1
12	211047	NUT, CLAMPING (INNER TUB)	01	1
13	0A4298	SEAL, AGITATOR DRIVE SHAFT	01	1
14	015667	RETAINING RING	01	1
15	015666	WASHER,RETAINING(CENTER SEAL)-	01	1
16	211210	WASHER,CLAMPING NUT(STAINLESS)	01	1
17	207831	INNER TUB W/PLUG	01	1
18	205484	OUTER TUB	01	1
19	214739	SPRING HOSE CLAMP	01	1
20	214725	CAP FOR SPOUT-OUTER TUB	01	1
21	202574	CLAMP, HOSE	01	1
22	213045	DRAIN HOSE-TUB TO PUMP	01	1
23	200900	CLAMP, SPRAY ARM HOSE	01	1
24	211641	CLAMP, 1-1/16"	01	1
25	200744	BOLT & GASKET ASSY.(SHORT)	01	1
25	205254	BOLT & GASKET ASSEMBLY (LONG)	01	1
26	212942	AIR DOME AND TUBE	01	1
27	410296	CLAMP,WATER LEVEL SWTCH TUBE	01	1
28	215980	PLUG, FILTER HOLE	01	2

*Color Code (-)=Not Shown #=Series, Serial Prefix or Run No., N=Not Available

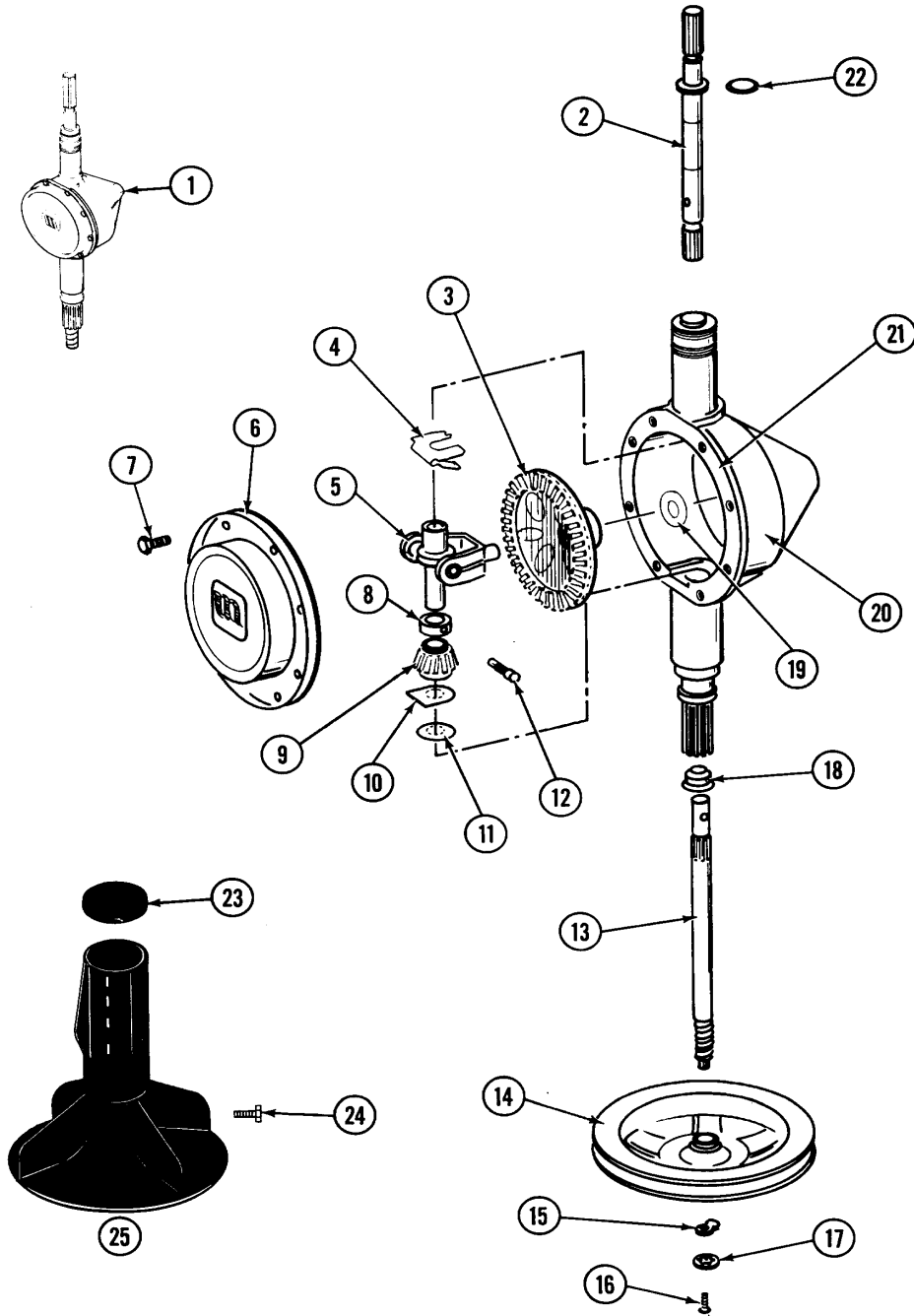
Section: TRANSMISSION

Model: GA26CDC

Section: TRANSMISSION

P/N 16000213

Models: A26CD A26CDC



9/91

14

MA70E7

Section: TRANSMISSION

No.	Part No.	Description	Series	Qty
1	206707	TRANSMISSION, ORBITAL	01	1
2	207153	SHAFT, AGITATOR (W/SPRING)	01	1
3	206713	GEAR, BEVEL	01	1
4	215581	SPRING, AGITATOR SHAFT	01	1
5	206685	BLOCK, TORQUE AND YOKE ASSEMBL	01	1
6	206628	COVER, TRANSMISSION	01	1
7	215417	SCREW, TRANSMISSION COVER	01	8
8	215415	COLLAR, LOWER	01	1
9	215401	PINION	01	1
10	215395	PLATE, CLUTCH	01	1
11	211483	WASHER, SPLINED	01	1
12	206629	PIN, COLLAR	01	1
13	215410	CENTER SHAFT - LARGER	01	1
14	211059	PULLEY, DRIVE	01	1
15	211089	LUG, STOP	01	1
16	211375	SCREW,STOP LUG(CENTER SHAFT)	01	1
17	211090	WASHER, LOCK	01	1
18	206602	SEAL, LIP (CENTER SHAFT)	01	1
19	215394	WASHER, BEVEL GEAR	01	1
20	206624	HOUSING, TRANSMISSION	01	1
21	058700	SILASTIC,ADH.SEALANT	01	1
22	210690	SEAL, RUBBER	01	1
23	215532	AGITATOR CAP - BLACK	01	1
24	206478	SCREW & WASHER FOR AGITATOR	01	1
25	207119	AGITATOR W/LOCK SCREW	01	1

*Color Code (-)=Not Shown #=Series, Serial Prefix or Run No., N=Not Available

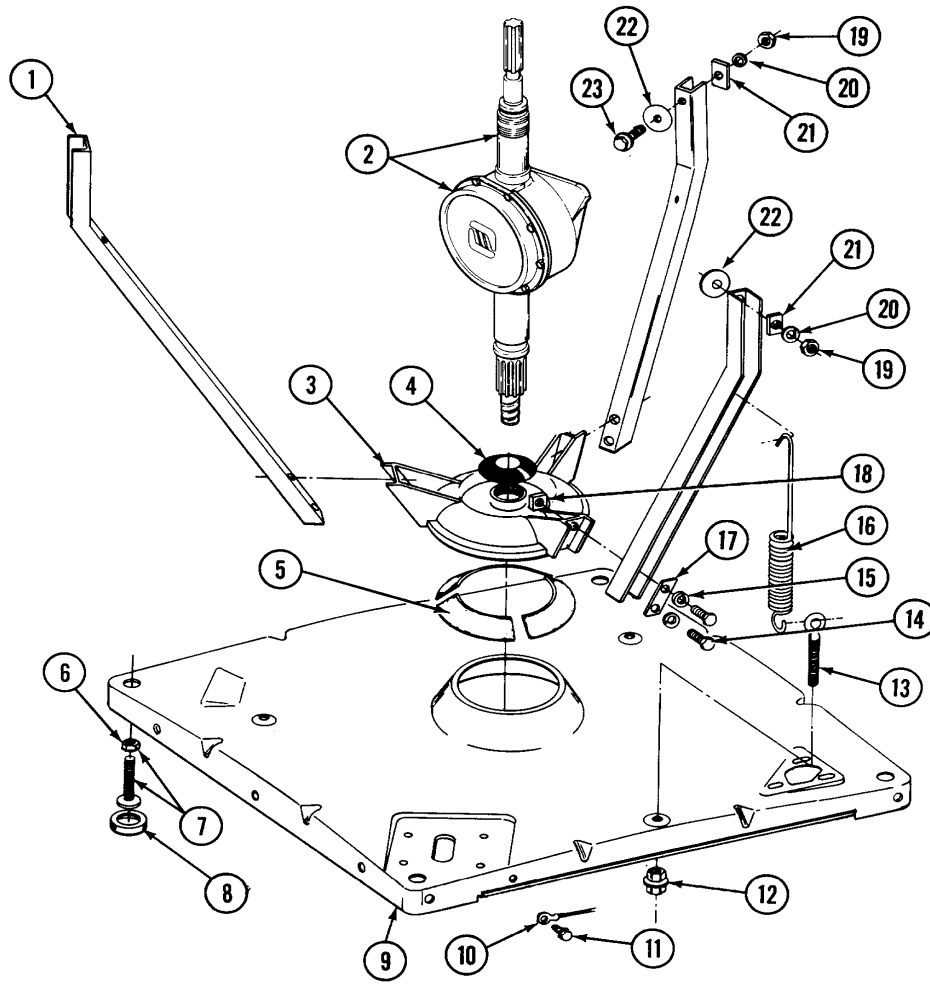
Section: BASE

Model: GA26CDC

Section: BASE

P/N 16000213

Models: A26CD A26CDC



9/91

16

MA70E9

Section: BASE

No.	Part No.	Description	Series	Qty
1	213053	BRACE, TUB	01	3
2	206707	TRANSMISSION, ORBITAL	01	1
3	203725	DAMPER W/BOLT & CLIP	01	1
4	211028	DEFLECTOR,WATER (DRIVE TUBE)	01	1
5	203956	DAMPER PAD KIT (W/POLY LUBE)	01	1
6	210385	NUT, LOCK	01	4
7	302699	LEG, ADJUSTABLE (W/NUT)	01	4
8	210684	FOOT, RUBBER	01	4
9	203274	BASE WITH DAMPER PADS	01	1
10	204807	GRND.WIRE,SUPP.PLTE TO TOP CVR	01	1
11	210186	SCREW, GROUND WIRE TO BASE--NA	01	1
12	211949	NUT, EYEBOLT	01	3
13	213120	EYE BOLT FOR CENTER SPRING	01	3
14	015627	SCREW, HEX HD CAP 5/16 X 5/8	01	6
15	911852	WASHER, LOCK (BRACE)	01	6
16	213054	CENTERING SPRING - 3 USED	01	3
17	213073	WASHER, DOUBLE	01	3
18	052785	NUT,BRACE TO DAMPER	01	6
19	052734	NUT	01	3
20	054867	WASHER, LOCK	01	3
21	212979	WASHER, TUB BRACE	01	3
22	211100	WASHER, CUSHION	01	3
23	205254	BOLT & GASKET ASSEMBLY (LONG)	01	2
23	200744	BOLT & GASKET ASSY.(SHORT)	01	1

*Color Code (-)=Not Shown #=Series, Serial Prefix or Run No., N=Not Available

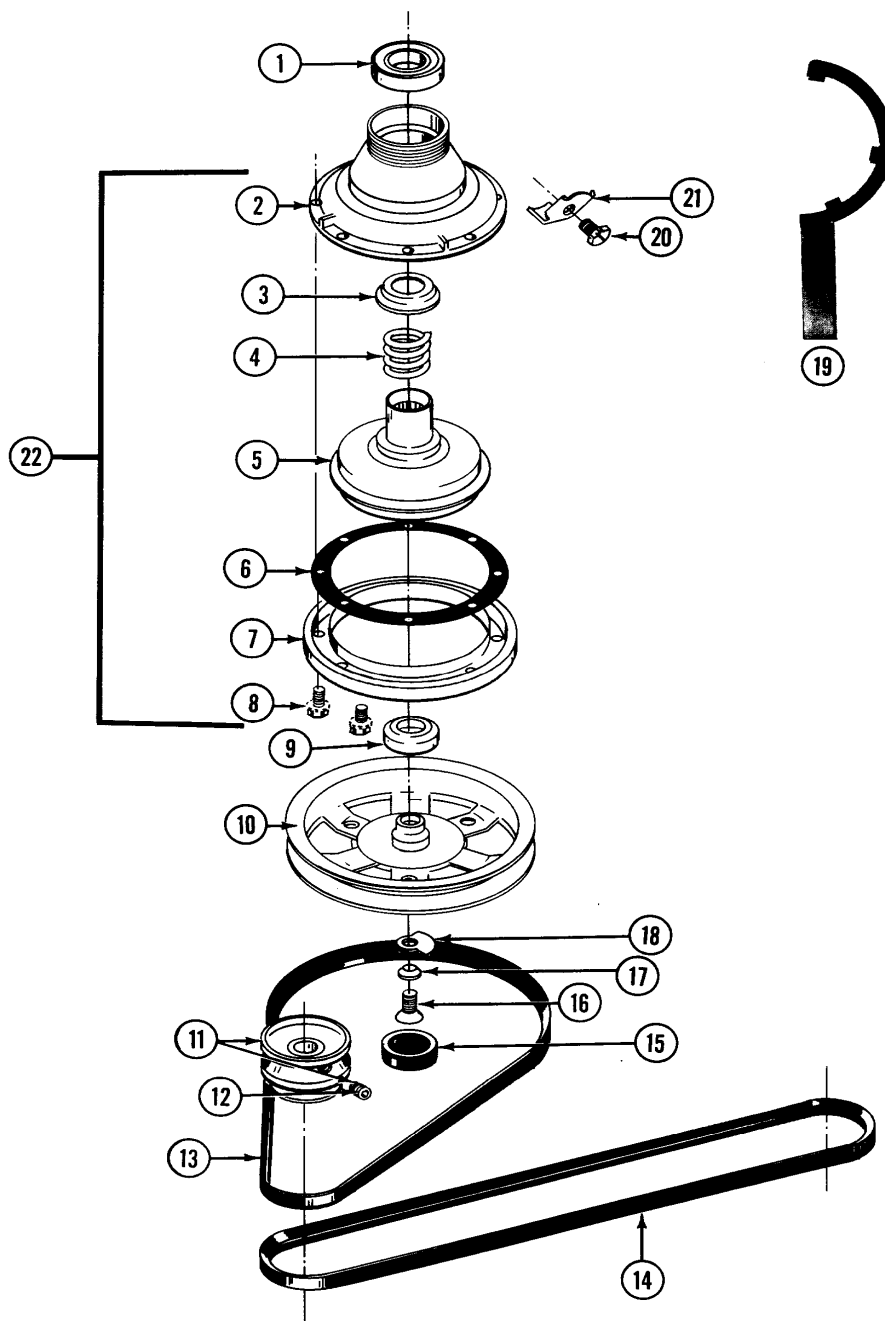
Section: CLUTCH, BRAKE & BELTS

Model: GA26CDC

Section: BASE

P/N 16000213

Models: A26CD A26CDC



9/91

18

MA70E11

Section: CLUTCH, BRAKE & BELTS

No.	Part No.	Description	Series	Qty
1	200720	BALL BEARING, RADIAL	01	1
2	211045	HOUSING, BRAKE	01	1
3	211039	RETAINER, BRAKE SPRING	01	1
4	211041	SPRING, BRAKE	01	1
5	201126	ROTOR, BRAKE (W/FACING)	01	1
6	211042	GASKET, BRAKE DRUM	01	1
7	211043	DRUM, BRAKE	01	1
8	211000	SCREW,HEX HEAD (BRAKE DRUM)	01	8
9	200835	BEARING, BRAKE ROTOR	01	1
10	211059	PULLEY, DRIVE	01	1
11	200816	PULLEY, MOTOR (W/SET SCREW)	01	1
12	053241	SET SCREW, PULLEY	01	1
13	211125	V BELT,DRIVE PULLEY	01	1
14	211124	V BELT, PUMP	01	1
15 N	211038	CAP, OIL RETAINER	01	1
16	211375	SCREW,STOP LUG(CENTER SHAFT)	01	1
17	211090	WASHER, LOCK	01	1
18	211089	LUG, STOP	01	1
19	038315	TOOL, BRAKE PKG ASSY	01	1
20	213326	SCREW, RETAINING CLIP	01	1
21	213325	CLIP, RETAINER	01	1
22	201190	BRAKE ASSEMBLY	01	1

*Color Code (-)=Not Shown #=Series, Serial Prefix or Run No., N=Not Available

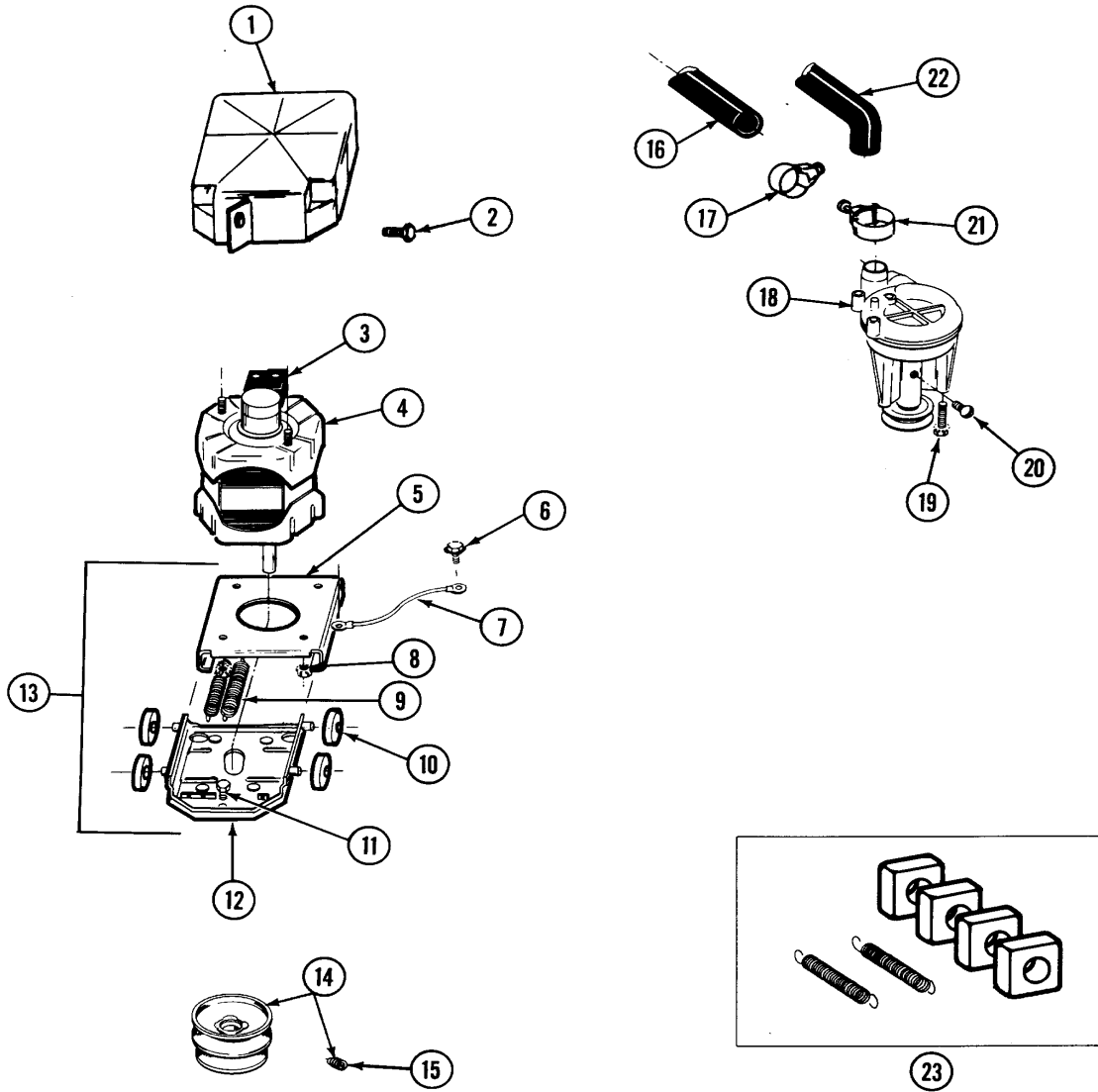
Section: MOTOR & PUMP

Model: GA26CDC

Section: MOTOR & PUMP

P/N 16000213

Models: A26CD A26CDC



9/91

20

MA70E13

Section: MOTOR & PUMP

No.	Part No.	Description	Series	Qty
1	215098	SHIELD, MOTOR	01	1
2	213121	SCREW	01	1
3	N 205133	MOTOR EXTERNAL START SWITCH Note: SWITCH, MOTOR START PROD. NO. 2-1664-8 & 2-5463	01	1
3	206505	SWITCH, MOTOR START Note: SWITCH, MOTOR START PROD. NO. 2-1664-11, 2-1664-13, & 5463-1	2-01	1
3	205132	SWITCH, MOTOR START Note: SWITCH, MOTOR START PROD. NO. 2-1664-4, 2-1664-9, 2-1664-10, 2-1664-12, 2-5463-2	01	1
4	201805	MOTOR (ONE SPEED)	01	1
5	214956	MOUNT, MOTOR/UPPER	01	1
6	210186	SCREW, GROUND WIRE TO BASE--NA	01	1
7	901220	WIRE, GROUND	01	1
8	311426	NUT, WASHERED LOCK	01	4
9	202718	TENSION SPRINGS	01	1
10	204998	GLIDE KIT (4 W/POLY LUBE)	01	1
11	N 313561	SCREW----NA	01	3
12	205908	LOWER MOTOR MOUNT	01	1
13	205999	MOTOR MOUNT ASSM COMPLETE	01	1
14	200816	PULLEY, MOTOR (W/SET SCREW)	01	1
15	053241	SET SCREW, PULLEY	01	1
16	215057	DRAIN HOSE	01	1
17	200461	HOSE CLAMP - 1-5/8 INCH	01	1
18	202203	PUMP AS PAK	01	1
19	211880	SCREW, HEX HD #10 X 1/2 INC	01	3
20	015408	SCREW, BEARING INSERT	01	1
21	202574	CLAMP, HOSE	01	1
22	213045	DRAIN HOSE-TUB TO PUMP	01	1
23	205000	GLIDE & SPRING KIT	01	1

*Color Code (-)=Not Shown #=Series, Serial Prefix or Run No., N=Not Available