



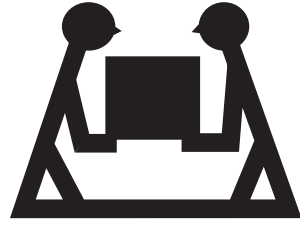
T420 Barbeque Assembly Manual

85-3004-2 (G45101) Propane
85-3005-0 (G45102) Natural Gas

1 YEAR LIMITED WARRANTY

**READ AND SAVE MANUAL FOR FUTURE REFERENCE.
If pre-assembled, leave this manual with unit for
consumer's future reference.**

**For product inquiries, parts, warranty and
troubleshooting support, please call 1-877-707-5463.**



HEAVY ARTICLE NEEDS 2 TO LIFT

THIS MANUAL MUST REMAIN WITH THE PRODUCT AT ALL TIMES

To ORDER non-warranty replacement parts or accessories, or to register your warranty, please visit us on the web at www.masterchefbbqs.com.

CAUTION

Sharp edges. Wear gloves when assembling your grill.

CAUTION

Read and follow all safety statements, assembly instructions, and use and care directions before attempting to assemble and cook.

INSTALLER OR ASSEMBLER/CONSUMER

This manual should be kept with the BBQ at all times.

WARNING

Failure to follow all of the Manufacturer's instructions could result in hazardous fires, explosions, property damage, or serious personal injury or even death.

Follow all leak check procedures carefully prior to operation of barbecue, even if grill was dealer assembled. Do not try to light this barbecue without reading the Lighting Instructions section of this manual.

DANGER

1. If you smell Gas:
 - a. Shut off gas to the appliance
 - b. Extinguish any open flame
 - c. Open lid
 - d. If odor continues, keep away from the appliance and immediately call your gas supplier or your fire department
2. Do not store or use gasoline or other flammable vapours and liquids in the vicinity of this or any other appliance.
3. An LP cylinder not connected for use shall not be stored in the vicinity of this or any other appliance.
4. Requires two people to complete the assembly process.
5. Beware of sharp edges.

THIS BARBECUE IS FOR OUTDOOR USE ONLY

CONTACT CALL CENTRE IF ANY PARTS ARE MISSING

1-877-707-5463

HARDWARE PACK

TOOLS NEEDED FOR ASSEMBLY

- #2 Phillips screwdriver (long and short)
- 1/4" Slotted screwdriver (long and short)
- Adjustable wrench
- Pliers

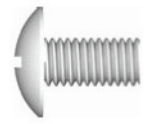














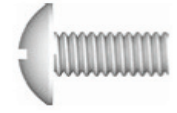
Before assembling the barbecue, read these instructions carefully.

Assemble the barbecue on a flat, clean surface. Grill is heavy. You should have at least two people assemble the barbecue together.

Notes: Do not fully tighten all the nuts during this initial stage.

KEY #	DESCRIPTION	PART NUMBER	QUANTITY
1	1/4" x 13mm Screw	20120-13013-036	10
2	Wing Screw	G306-0025-9084	1
3	1/4"-20UNC Nut	31220-13000-036	8
4	No.8 x 10mm Screw	20132-08010-250	2
5	#8X3/8" Self Tapping Screw	22500-42010-136	14
6	Ø7Flat Washer	40300-07000-036	6
7	Ø7 Fiber Washer	G431-0018-9000	10
8	Wheel Spacer	G305-0024-9088	2
9	Hitch Pin	G306-0005-9088	1
10	Venturi Clip, Side Burner	G405-0019-9200	1
11	Ø7Lock Washer	41400-07000-206	6
12	M4 Wing Nut	33301-04000-032	1
13	Washer (Wheel)	40300-08000-036	1
14	Control Knob	G430-0026-01	1
15	Bezel, Control Knob	G430-0027-01	1
16	1/4" - 20UNCX18 Screw	20102-13018-036	4

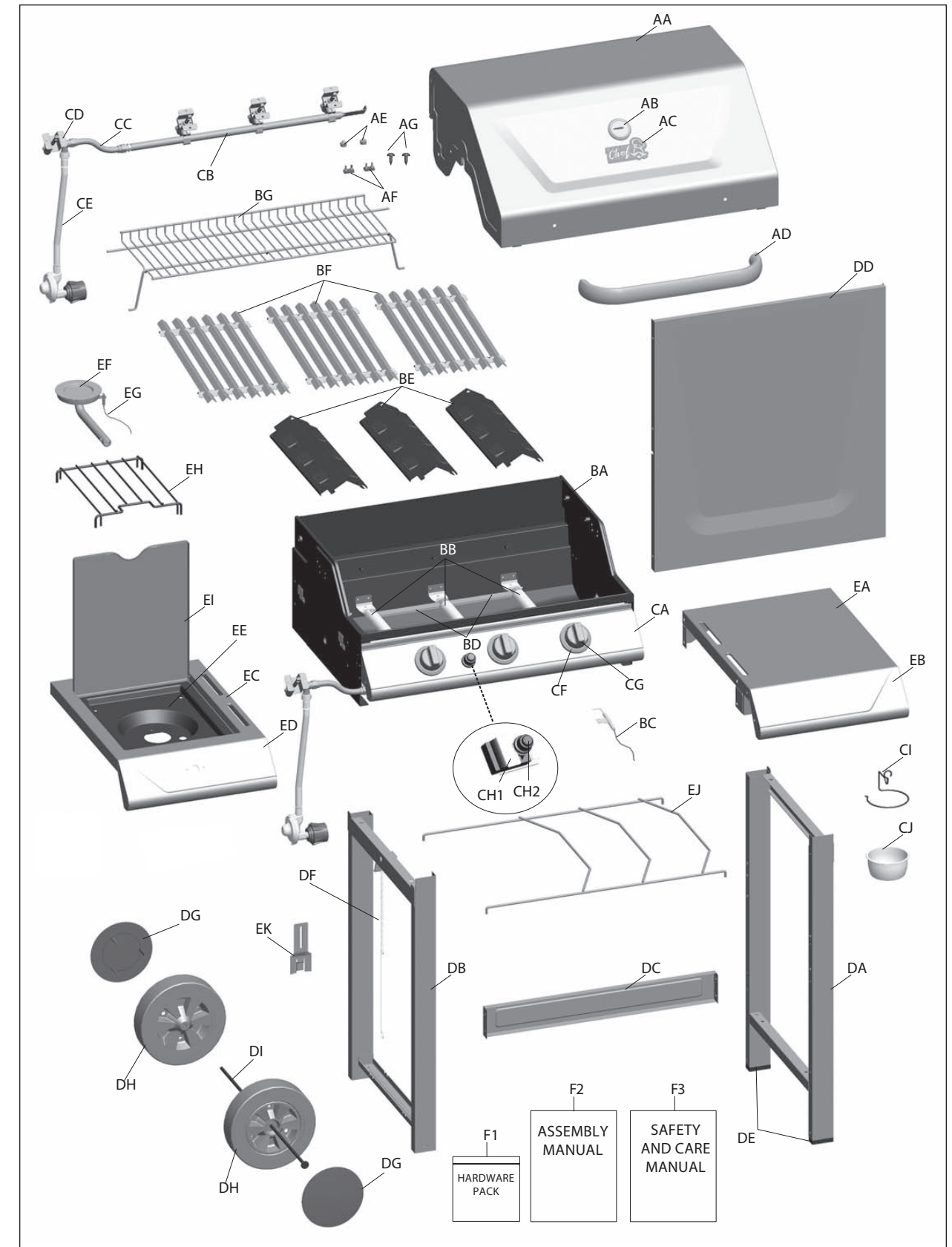
Caution: Sheet metal can cause injury. Wear gloves when installing the grill.

1	 1/4" x 13mm Screw X 10	2	 Wing Screw X 1	3	 1/4" - 20UNC Nut X 8
4	 NO.8x10mm Screw X 2	5	 #8X3/8" Self Tapping Screw X 14	6	 Ø7Flat Washer X 6
7	 Ø7 Fiber Washer X 10	8	 Wheel Spacer X 2	9	 Hitch Pin X 1
10	 Venturi Clip, Side Burner X 1	11	 Ø7Lock Washer X 6	12	 M4 Wing Nut X 1
13	 Washer (Wheel) X 1	14	 Control Knob X 1	15	 Bezel, Control Knob X 1
16	 1/4" x 18mm Screw X 4				

PARTS LIST (PROPANE) FOR 85-3004-2 (G45101)

KEY #	QUANTITY	DESCRIPTION	PART NO.
AA	1	Top Lid Assembly	G451-0100-01
AB	1	Thermometer and bezel	G430-0022-01
AC	1	Logo Plate	G451-0001-01
AD	1	Top Lid Handle	G413-0001-01
AE	2	Lid Bumbers- Back	G303-0038-01
AF	2	Lid Bumbers- Front	G508-0063-01
AG	2	Screws for Lid	G430-0024-01
BA	1	Burner Box Assembly	G451-0200-01
BB	3	Burner	G431-0300-01
BC	1	Electrode Set, Main Burners	G501-0010-01
BD	2	Burner Brace Assembly	G413-0004-01
BE	3	Flame Tamers	G430-0005-01
BF	3	Cooking Grates	G451-0700-01
BG	1	Warming Rack	G430-0003-01
CA	1	Control Panel	G451-0002-01
CB	1	Manifold Assembly	G451-0300-01
CC	1	Metal Hose, Side burner	G430-2403-01
CD	1	Side Burner Valve	G451-0302-01
CE	1	Regulator	G402-0069-01
CF	3	Bezel, Control Knob	G430-0027-01
CG	3	Control Knob	G430-0026-01
CH1	1	Electronic Ignition Assembly	G430-0008-01
CH2	1	Electronic Ignition Button	G501-0072-01
CI	1	Grease Cup Hook	G305-0043-01
CJ	1	Grease Cup	G430-0033-02
DA	1	Cart Side Panel, Right	G451-0500-01
DB	1	Cart Side Panel, Left	G451-0400-01
DC	1	Back Brace	G431-0031-01
DD	1	Front Panel	G451-0005-01
DE	2	End Caps	G431-0004-01
DF	1	Match Holder	G401-0079-01
DG	2	Wheel Cap	G303-0020-01
DH	2	Wheel	G210-0018-02
DI	1	Wheel Axle	G430-0007-01
EA	1	Side Shelf Table (right)	G430-1500-01
EB	1	Side Shelf Fascia(right)	G451-0003-01
EC	1	Side Burner Table (left)	G430-1600-01
ED	1	Side Shelf Fascia (left)	G451-0004-01
EE	1	Side Burner Drip Pan	G430-0034-01
EF	1	Side Burner	G430-2900-01
EG	1	Electrode Set, Side Burner	G430-0042-01
EH	1	Side Burner Grate	G405-0004-01
EI	1	Side Burner Lid	G430-0018-01
EJ	1	Tank Exclusion	G430-5402-01
EK	1	Tank Retainer Clip	G306-0020-02
F1	1	Hardware Pack	G451-B001-01
F2	1	Assembly Instructions	G451-M001-01
F3	1	Safe Use and Care Manual	G207-M015-02

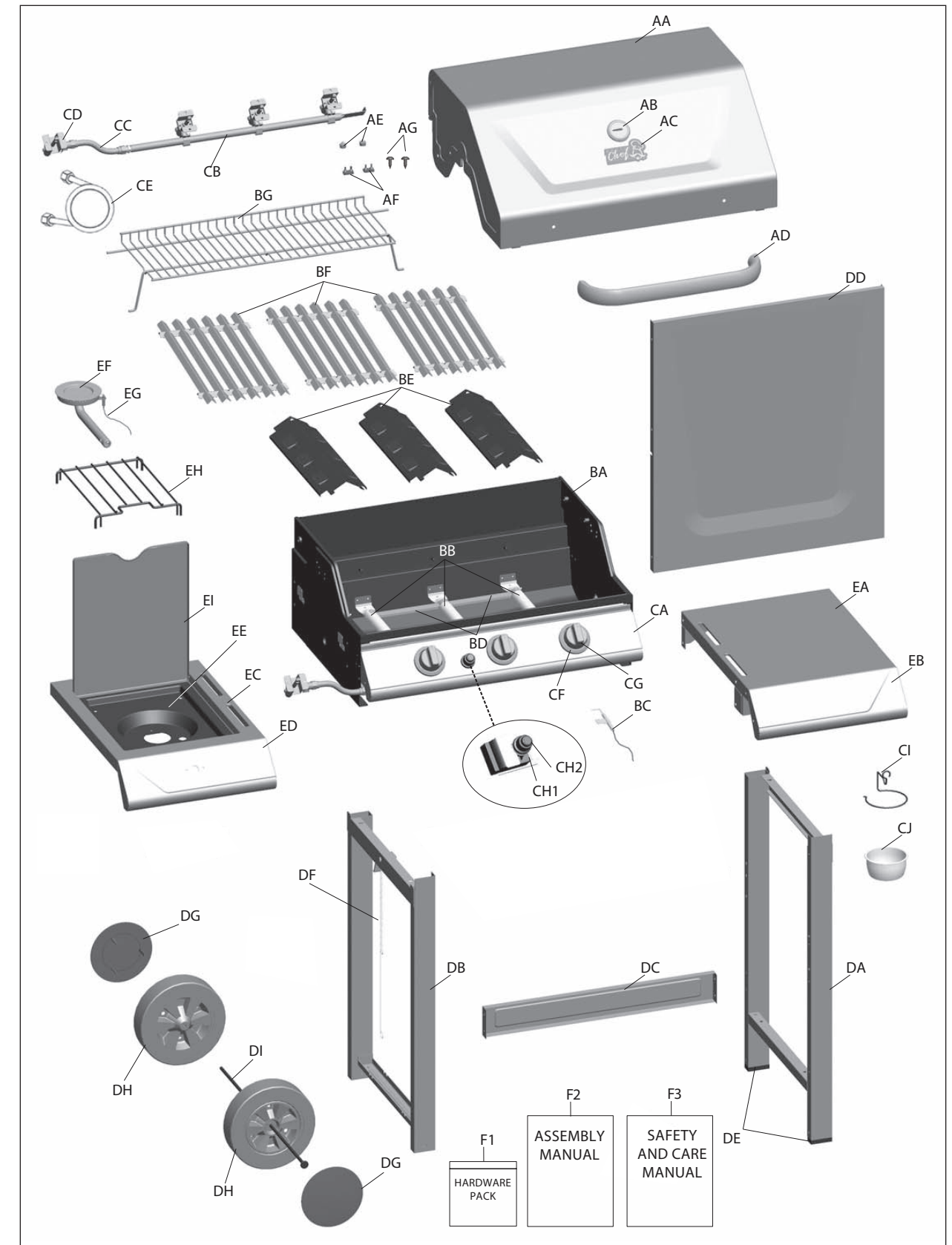
EXPLODED DIAGRAM (PROPANE) FOR 85-3004-2 (G45101)



PARTS LIST (NATURAL GAS) FOR 85-3005-0 (G45102)

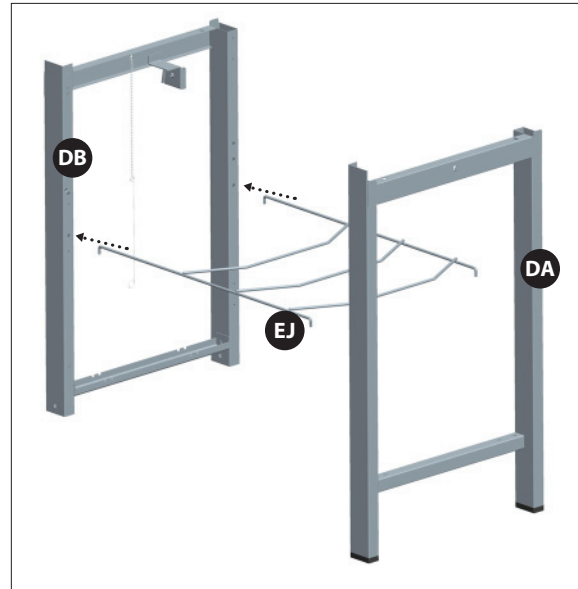
KEY #	QUANTITY	DESCRIPTION	PART NO.
AA	1	Top Lid Assembly	G451-0100-01
AB	1	Thermometer with bezel	G430-0022-01
AC	1	Logo Plate	G451-0001-01
AD	1	Top Lid Handle	G413-0001-01
AE	2	Lid Bumbers- Back	G303-0038-01
AF	2	Lid Bumbers- Front	G508-0063-01
AG	2	Screws for Lid	G430-0024-01
BA	1	Burner Box Assembly	G451-0200-01
BB	3	Burner	G431-0300-01
BC	1	Electrode Set, Main Burners	G501-0010-01
BD	2	Burner Brace Assembly	G413-0004-01
BE	3	Flame Tamers	G430-0005-01
BF	3	Cooking Grates	G451-0700-01
BG	1	Warming Rack	G430-0003-01
CA	1	Control Panel	G451-0002-01
CB	1	Manifold Assembly	G451-0600-01
CC	1	Metal Hose, Side Burner	G430-2403-01
CD	1	Side Burner Valve	G451-0602-01
CE	1	Natural Gas Hose	G501-0099-01
CF	3	Bezel, Control Knob	G430-0027-01
CG	3	Control Knob	G430-0026-01
CH1	1	Electronic Ignition Assembly	G430-0008-01
CH2	1	Electronic Ignition Button	G501-0072-01
CI	1	Grease Cup Hook	G305-0043-01
CJ	1	Grease Cup	G430-0033-02
DA	1	Cart Side Panel, Right	G451-0500-01
DB	1	Cart Side Panel, Left	G430-1000-01
DC	1	Back Brace	G431-0031-01
DD	1	Front Panel	G451-0005-01
DE	2	End Caps	G431-0004-01
DF	1	Match Holder	G401-0079-01
DG	2	Wheel Cap	G303-0020-01
DH	2	Wheel	G210-0018-02
DI	1	Wheel Axle	G430-0007-01
EA	1	Side Shelf Table (Right)	G430-1500-01
EB	1	Side Shelf Fascia (Right)	G451-0003-01
EC	1	Side Burner Table (Left)	G430-1600-01
ED	1	Side Shelf Fascia (Left)	G451-0004-01
EE	1	Side Burner Drip Pan	G430-0034-01
EF	1	Side Burner	G451-0800-01
EG	1	Electrode Set, Side Burner	G430-0042-01
EH	1	Side Burner Grate	G405-0004-01
EI	1	Side Burner Lid	G430-0018-01
F1	1	Hardware Pack	G451-B001-01
F2	1	Assembly Instructions	G451-M001-02
F3	1	Safe Use and Care Manual	G207-M015-02

EXPLODED DIAGRAM (NATURAL GAS) FOR 85-3005-0 (G45102)

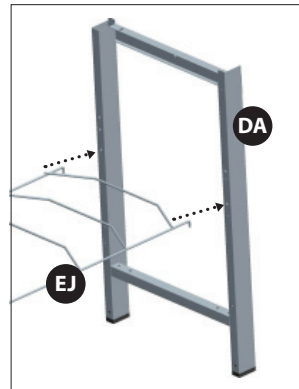


ASSEMBLY INSTRUCTIONS

1



Front View



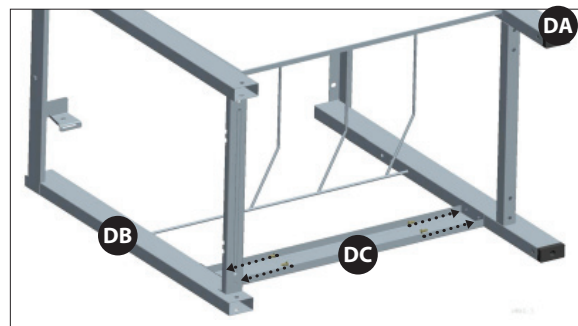
PROPANE MODEL ONLY

Note: You will need two people for this step.

Assemble the tank exclusion (EJ) to the left and right cart side panels (DA, DB), as shown.

Note: The left cart side panel (DB) will have large holes on the end of the legs for assembling the wheel axle (DI).

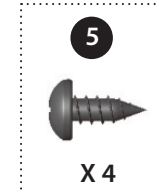
2



Note: Turn Cart assembly over. Front panel should be facing upward.

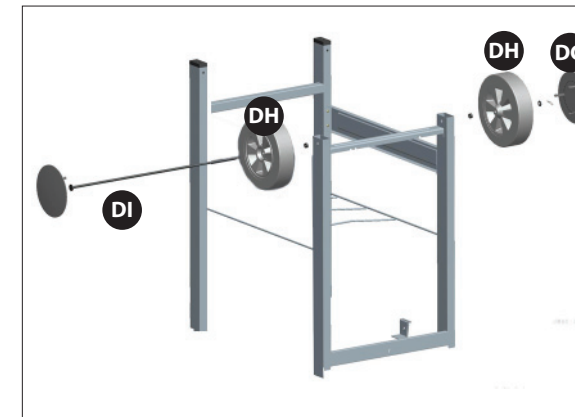
Assemble the back brace (DC) to the rear, left and right cart side panels (DA, DB), as shown.

YOU WILL NEED:



ASSEMBLY INSTRUCTIONS

3

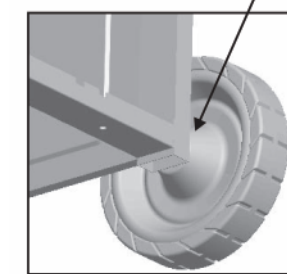


Note: Turn Cart assembly upside down.

a. Place wheel (DH) and wheel spacer (#8) onto wheel axle (DI). "Cone" side of wheel should be against cart side panel.

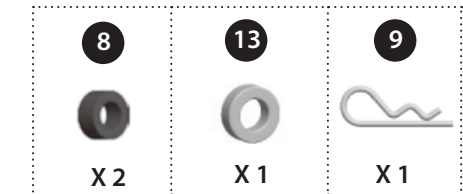
Insert wheel axle assembly (DI) through wheel axle hole in the front and rear, of the left cart side panel (DB), as shown.

To complete wheel assembly, position the wheel spacer (#8), wheel (DH), wheel washer (#13) and hitch pin (#9), onto wheel axle (DI), as shown.

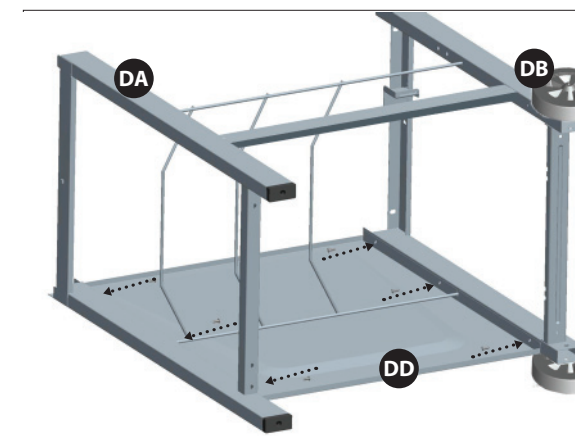


b. Insert wheel cap (DG) into wheel (DH).

YOU WILL NEED:



4

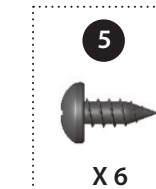


Back View

Assemble the front panel (DD) to the left and right cart side panels (DA and DB), as shown. Ensure that the slots on the tank exclusion (EJ) align with the slots on the front panel (DD).

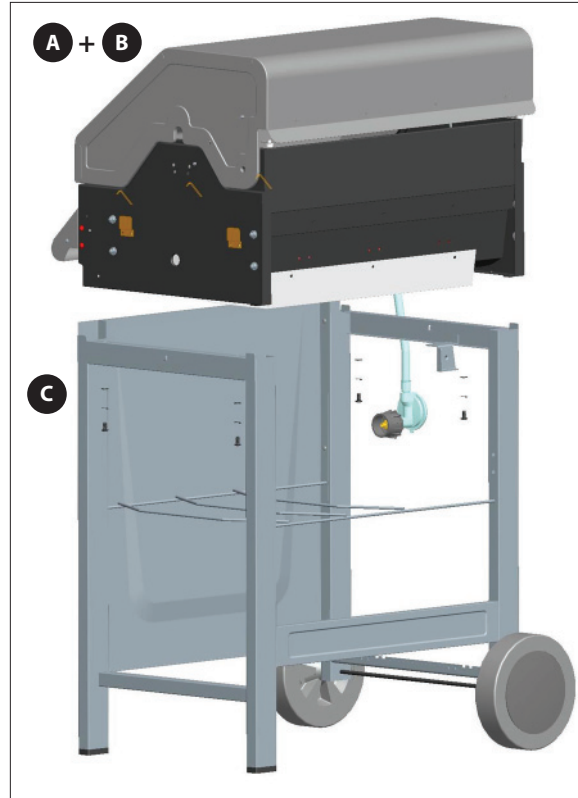
NATURAL GAS MODEL WILL NOT HAVE WIRE-TANK EXCLUSION (EJ) SHOWN IN IMAGE.

YOU WILL NEED:



ASSEMBLY INSTRUCTIONS

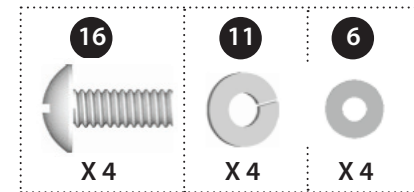
5



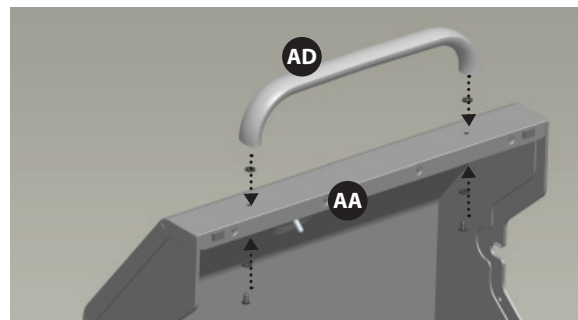
Note: Stand cart assembly upright. TWO PEOPLE required for this step. Ensure that the regulator hose (Propane models only) is hanging outside of cart.

Position the lid and burner box assembly (A&B), onto the cart assembly (C), and assemble.

YOU WILL NEED:

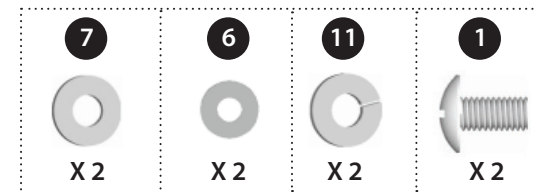


6



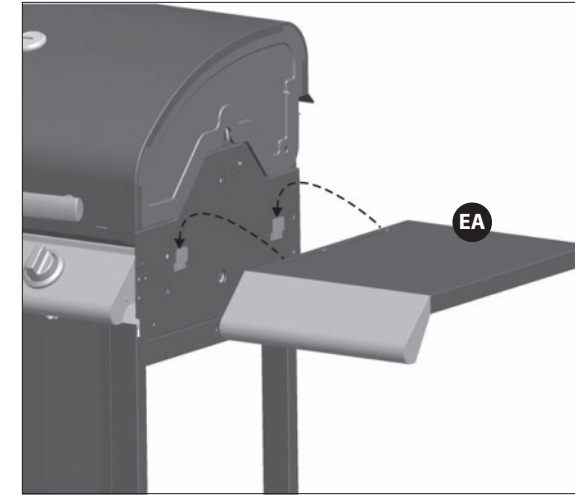
Assemble the top lid handle (AD) to the top lid assembly (AA).

YOU WILL NEED:



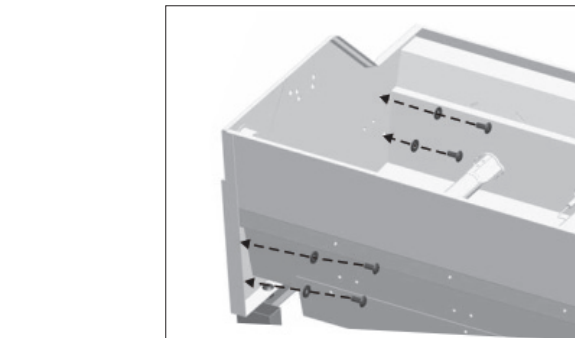
ASSEMBLY INSTRUCTIONS

7



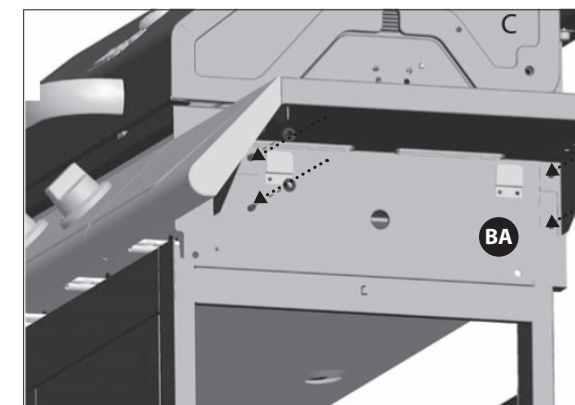
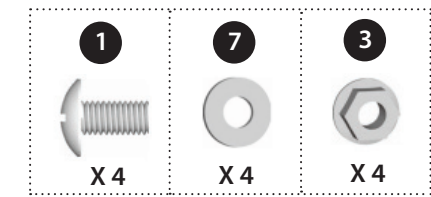
RIGHT SIDE SHELF ASSEMBLY

a. Insert the right side shelf assembly hooks (EA & EB) into the grooves located on the right side of the burner box assembly (B).



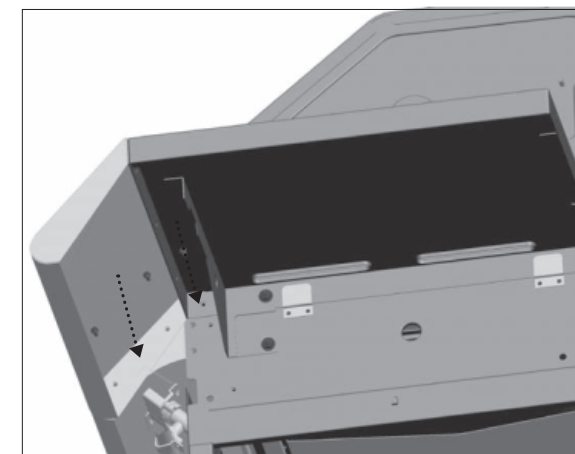
b. Affix the right side shelf table (EA) to the burner box assembly (B).

YOU WILL NEED:

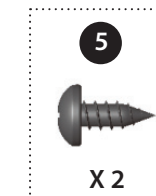


c. Affix the right side shelf fascia (EB) to the control panel (CA).

Securely tighten all hardware.

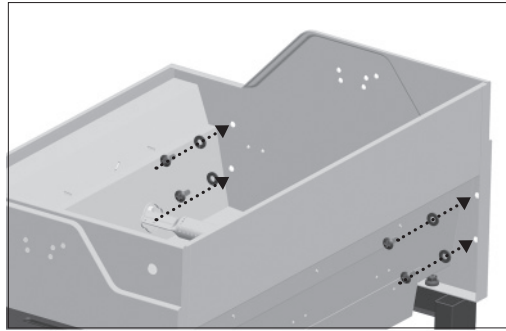


YOU WILL NEED:



ASSEMBLY INSTRUCTIONS

8

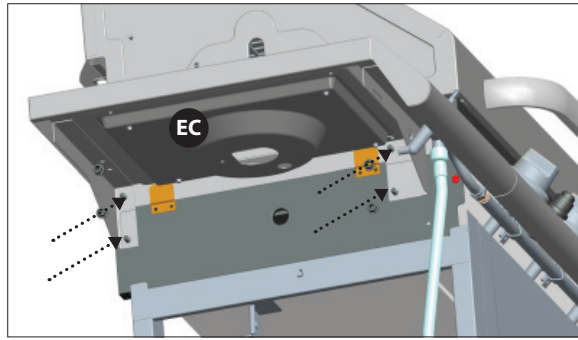
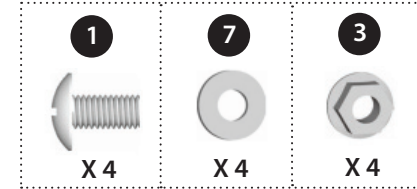


LEFT SIDE SHELF ASSEMBLY

- Insert the left side shelf assembly hooks (EC and ED) into the grooves located on the left side of the burner box assembly (B).
- Affix the left side shelf table (EC) to the burner box assembly (B).

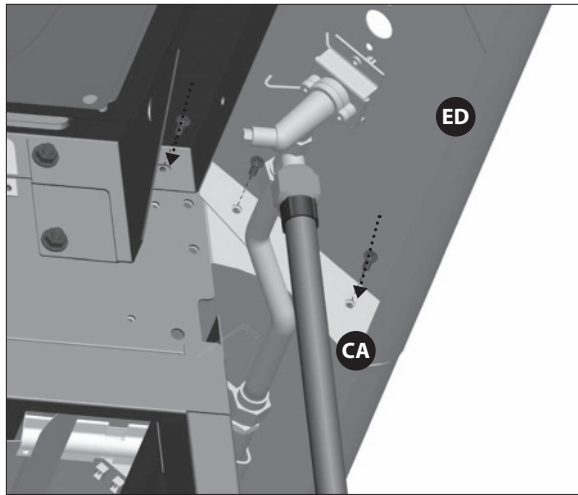
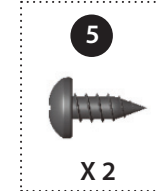
Securely tighten all hardware.

YOU WILL NEED:



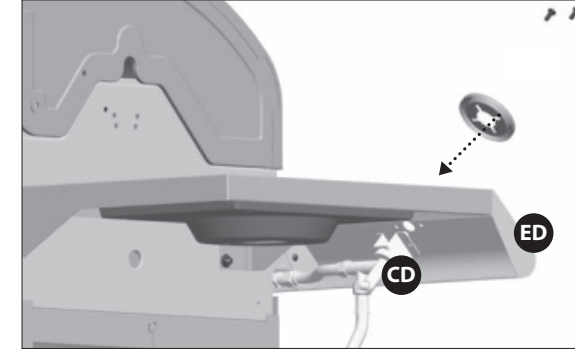
- Affix the left side shelf fascia (ED) to the control panel (CA).

YOU WILL NEED:



ASSEMBLY INSTRUCTIONS

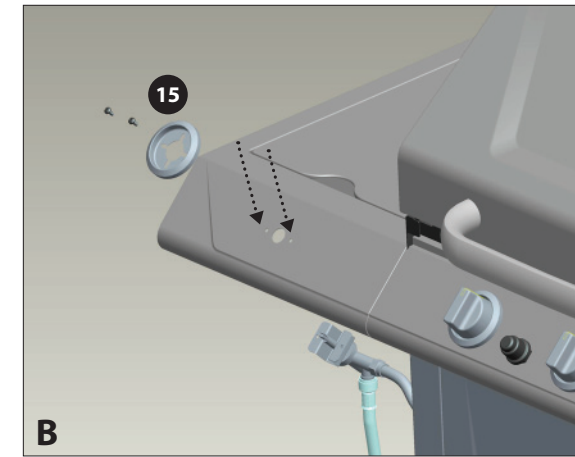
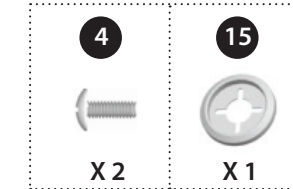
9



SIDE BURNER ASSEMBLY

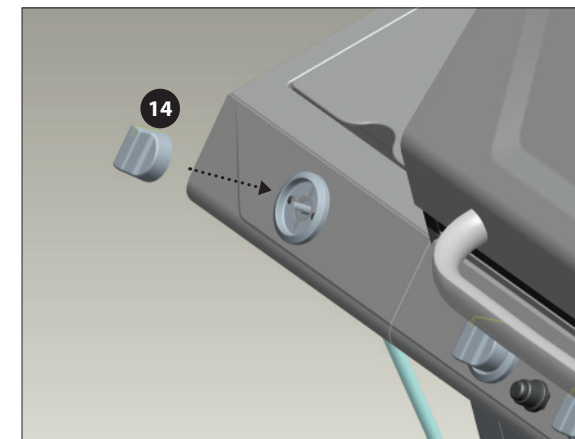
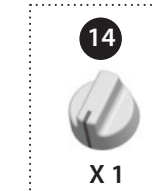
- Two people required in this step.** Insert the side burner valve stem (CD) through the rear of the left side shelf fascia (ED). Position the bezel (#15) on the front of the left side shelf fascia (ED), and align all holes. Assemble all three parts together, as shown in figure B. **Securely tighten hardware.**

YOU WILL NEED:



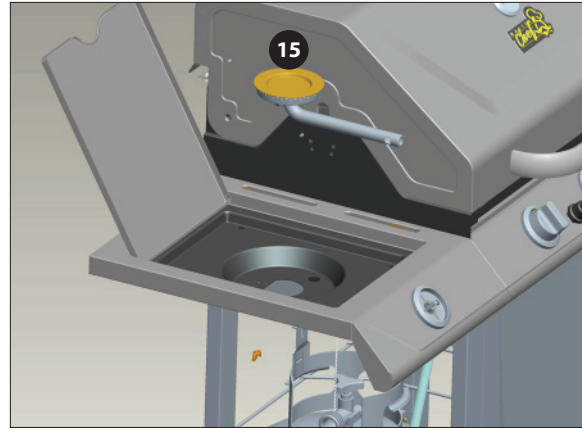
- Position control knob (#14) onto side burner, valve-stem (CD).

YOU WILL NEED:



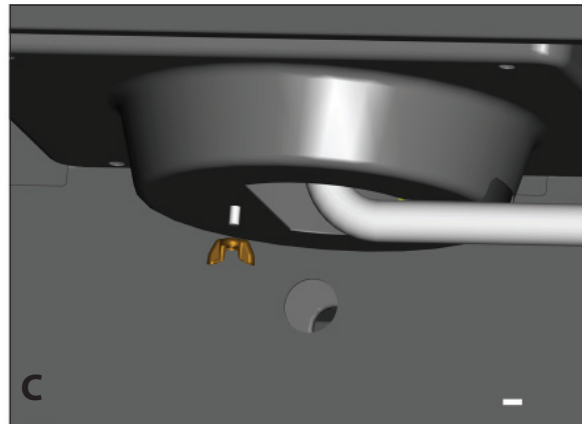
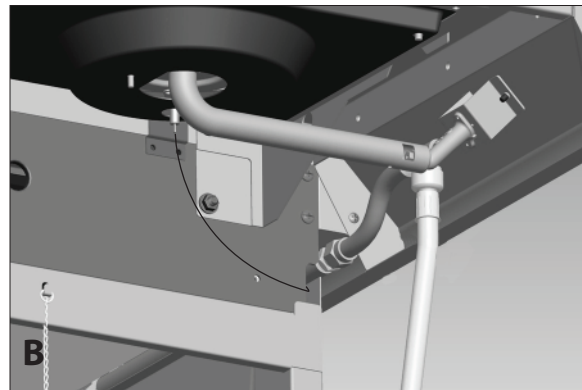
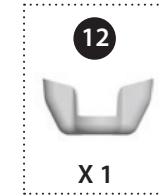
ASSEMBLY INSTRUCTIONS

10



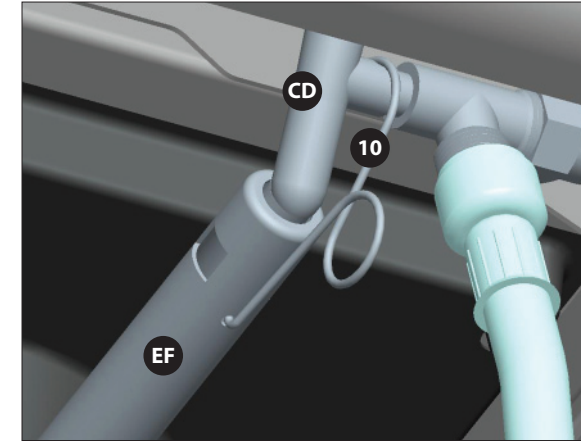
c. Position the side burner (EF) through the opening in the side burner drip pan (EE). Make sure the side burner (EF) engages the side burner valve (CD), and assemble. As shown in figure C.

YOU WILL NEED:



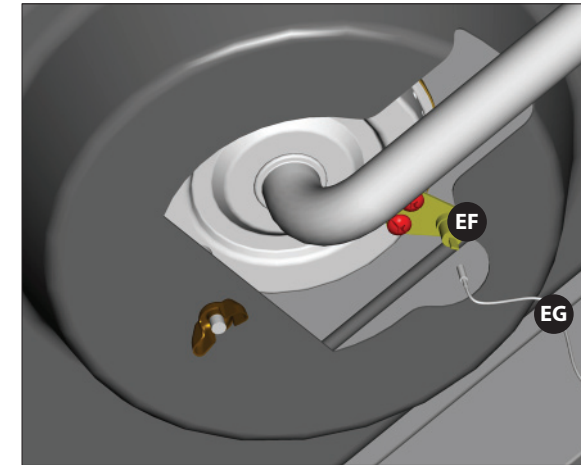
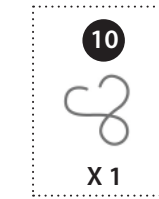
ASSEMBLY INSTRUCTIONS

11

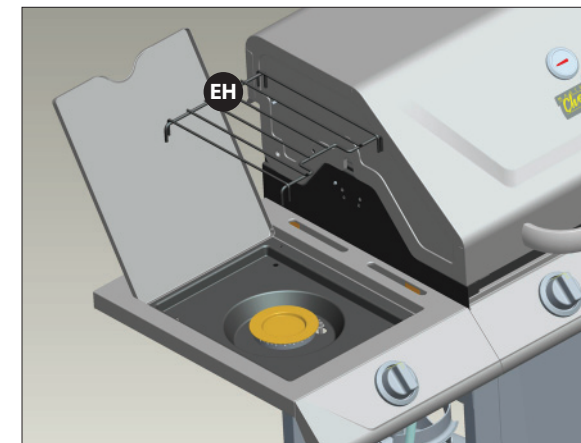


d. Use the side burner venturi clip (#10) to connect the side burner (EF) to the side burner valve (CD).

YOU WILL NEED:



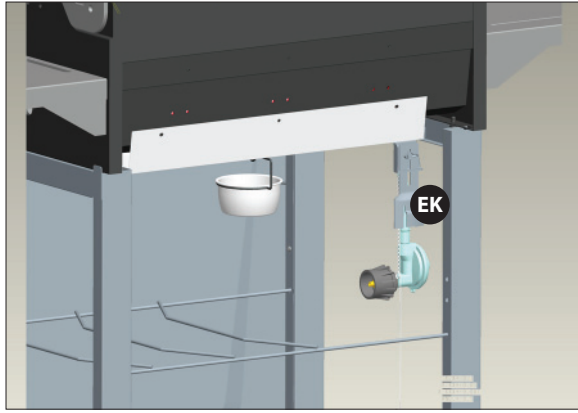
e. Attach the end of the side burner electrode wire (EG) to the underside of the side burner electrode (EF), as shown. **Ensure that the wire is pushed in firmly.**



f. Place the side burner cooking grate (EH) into position on the side burner shelf.

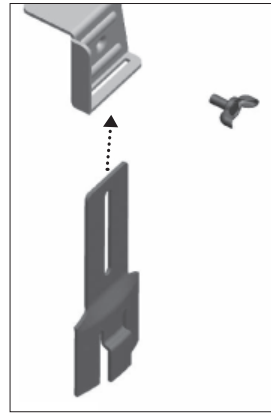
ASSEMBLY INSTRUCTIONS

12

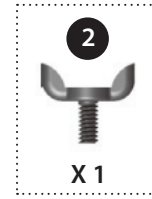


PROPANE MODEL ONLY

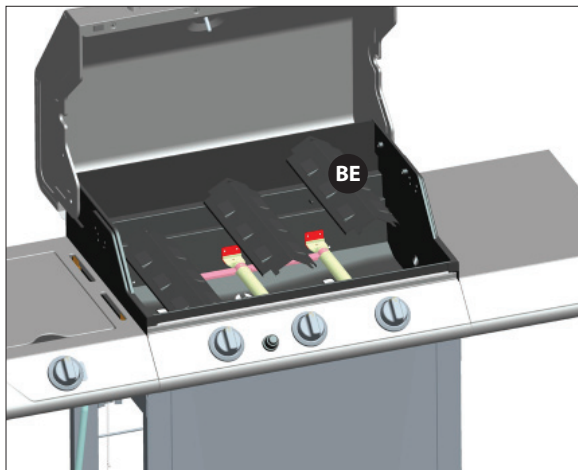
Insert and fasten the tank retainer clip (EK) into the tank retainer bracket, located at the top, center of the left cart side panel (DB).



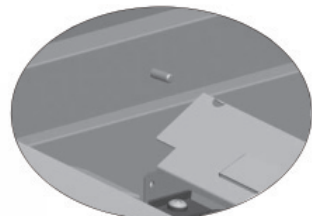
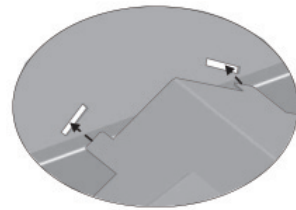
YOU WILL NEED:



13

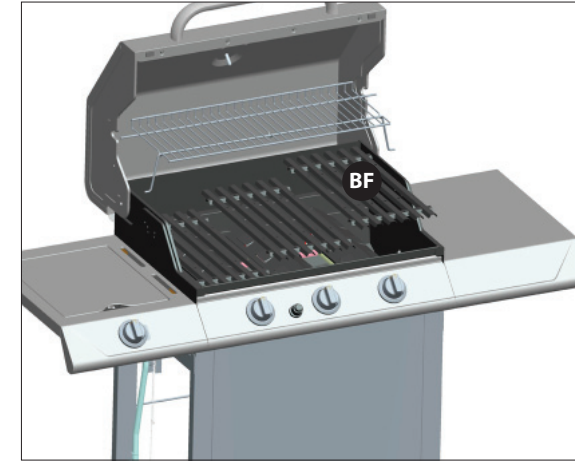


Place the flame tamers (BE) into the burner box.



ASSEMBLY INSTRUCTIONS

14



Place the cooking grates (BF) into the burner box.

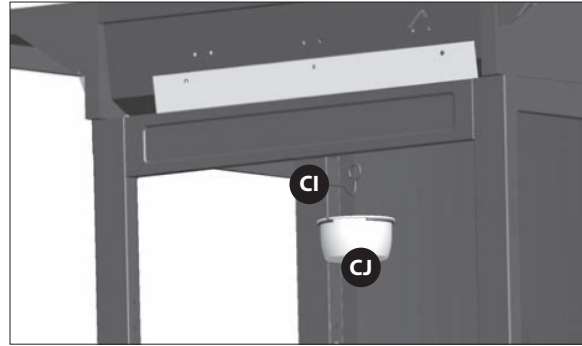
15



To assemble the warming rack (BG), insert the stationary wire into the holes on the sides of the lid. Insert warming rack pivot legs into the holes on the inside of the burner box assembly, as shown.

ASSEMBLY INSTRUCTIONS

16

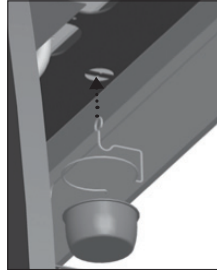


Hang the grease cup hook (CI) from the bottom of the burner box (BA), and place grease cup (CJ) into position.

PROPANE MODEL SHOWN

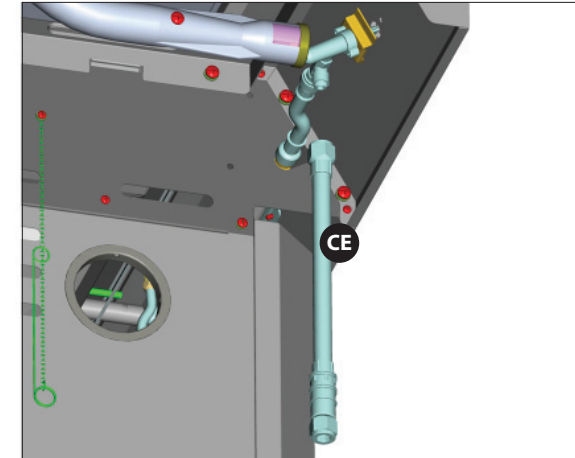
⚠ CAUTION ⚠

Failure to assemble grease cup hook and grease cup will cause hot grease to drip from the bottom of the BBQ burner box, with the risk of fire, property damage, or personal injury.



ASSEMBLY INSTRUCTIONS

18



NATURAL GAS MODELS ONLY

Attach the natural gas hose (CE) to the side burner valve fitting, as shown.

ATTENTION: *In order to complete installation of your natural gas BBQ a 1/2" or 3/8" adapter may be required to connect your BBQ's natural gas hose to your home gas supply. Contact your natural gas supplier to purchase the necessary part.*

17



PROPANE MODEL ONLY

- Propane tank collar must face to the front of the BBQ. Loosen the wing nut from the tank retainer clip (EK). Set bottom of the tank into notches located on the bottom of the left cart side panel (DB). Position tank retainer clip (EK) onto tank collar and tighten wing nut.

ATTENTION: *LP Cylinder is sold separately. Use only LP tanks that are equipped with an OPD (Overfill protection device). Fill and Leak check before attaching to the BBQ hose and regulator. See Safe Use and Care Manual, leak test procedure for more information*

⚠ CAUTION ⚠

Cylinder valve must face to the front of cart once the tank is attached. Failure to install cylinder correctly may allow gas hose to be damaged in operation, resulting in fire.

⚠ WARNING ⚠

Always keep LP cylinder in upright position during use, transport and storage.

19



Electronic ignition battery not included.

Unscrew the electronic ignition button (CH2) and insert one AA battery into the electronic ignition battery compartment (CH1), with the positive end facing outward.