



# S480 Barbecue Assembly Manual

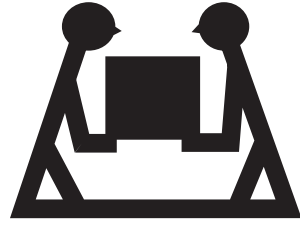
---

85-3024-4 (G43208) Propane  
85-3025-2 (G43209) Natural Gas

**1 YEAR LIMITED WARRANTY**

**READ AND SAVE MANUAL FOR FUTURE REFERENCE.  
If pre-assembled, leave this manual with unit for  
consumer's future reference.**

**For product inquiries, parts, warranty and  
troubleshooting support, please call 1-877-707-5463.**



**HEAVY ARTICLE NEEDS 2 TO LIFT**

**THIS MANUAL MUST REMAIN WITH THE PRODUCT AT ALL TIMES**

To ORDER non-warranty replacement parts or accessories, or to register your warranty, please visit us on the web at [www.masterchefbbqs.com](http://www.masterchefbbqs.com)

**⚠ CAUTION**

Sharp edges. Wear gloves when assembling your grill.

**⚠ CAUTION**

Read and follow all safety statements, assembly instructions, and use and care directions before attempting to assemble and cook.

**⚠ INSTALLER OR ASSEMBLER/CONSUMER**

This manual should be kept with the BBQ at all times.

**⚠ WARNING**

Failure to follow all of the Manufacturer's instructions could result in hazardous fires, explosions, property damage, or serious personal injury or even death.

Follow all leak check procedures carefully prior to operation of barbecue, even if grill was dealer assembled. Do not try to light this barbecue without reading the Lighting Instructions section of this manual.

**⚠ DANGER**

1. If you smell Gas:
  - a. Shut off gas to the appliance
  - b. Extinguish any open flame
  - c. Open lid
  - d. If odor continues, keep away from the appliance and immediately call your gas supplier or your fire department
2. Do not store or use gasoline or other flammable vapours and liquids in the vicinity of this or any other appliance.
3. An LP cylinder not connected for use shall not be stored in the vicinity of this or any other appliance.
4. Requires two people to complete the assembly process.
5. Beware of sharp edges.

**THIS BARBECUE IS FOR OUTDOOR USE ONLY**

**CONTACT CALL CENTRE IF ANY PARTS ARE MISSING**

**1-877-707-5463**

**HARDWARE PACK**

**TOOLS NEEDED FOR ASSEMBLY**

- #2 Phillips screwdriver (long and short)
- ¼" Slotted screwdriver (long and short)
- Adjustable wrench
- Pliers

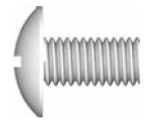
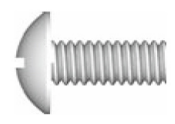





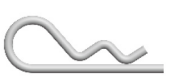





Before assembling the barbecue, read these instructions carefully.

Assemble the barbecue on a flat, clean surface. Grill is heavy. You should have at least two people assemble the barbecue together.

**Notes: Do not fully tighten all the nuts during this initial stage.**

KEY #	DESCRIPTION	PART NUMBER	QUANTITY
1	1/4"-20UNCX13mm screw	20120-13013-036	12
2	1/4"-20UNCX38mm screw	20120-13038-036	4
3	1/4"-20UNC nut	31220-13000-036	12
4	NO.8 x10mm screw	20132-08010-250	2
5	#8X3/8" self tapping screw	24200-42008-136	12
6	Ø7 fiber washer	G431-0018-9000	8
7	wheel spacer	G650-0012-9091	2
8	hitch pin	G306-0005-9088	1
9	venturi clip, side burner	G405-0019-9200	1
10	wing screw	33300-08000-032	1
11	washer(wheel)	G650-0013-9091	1
12	Control knob	G432-0032-9081	1
13	Bezel, control knob	G437-0027-9081	1

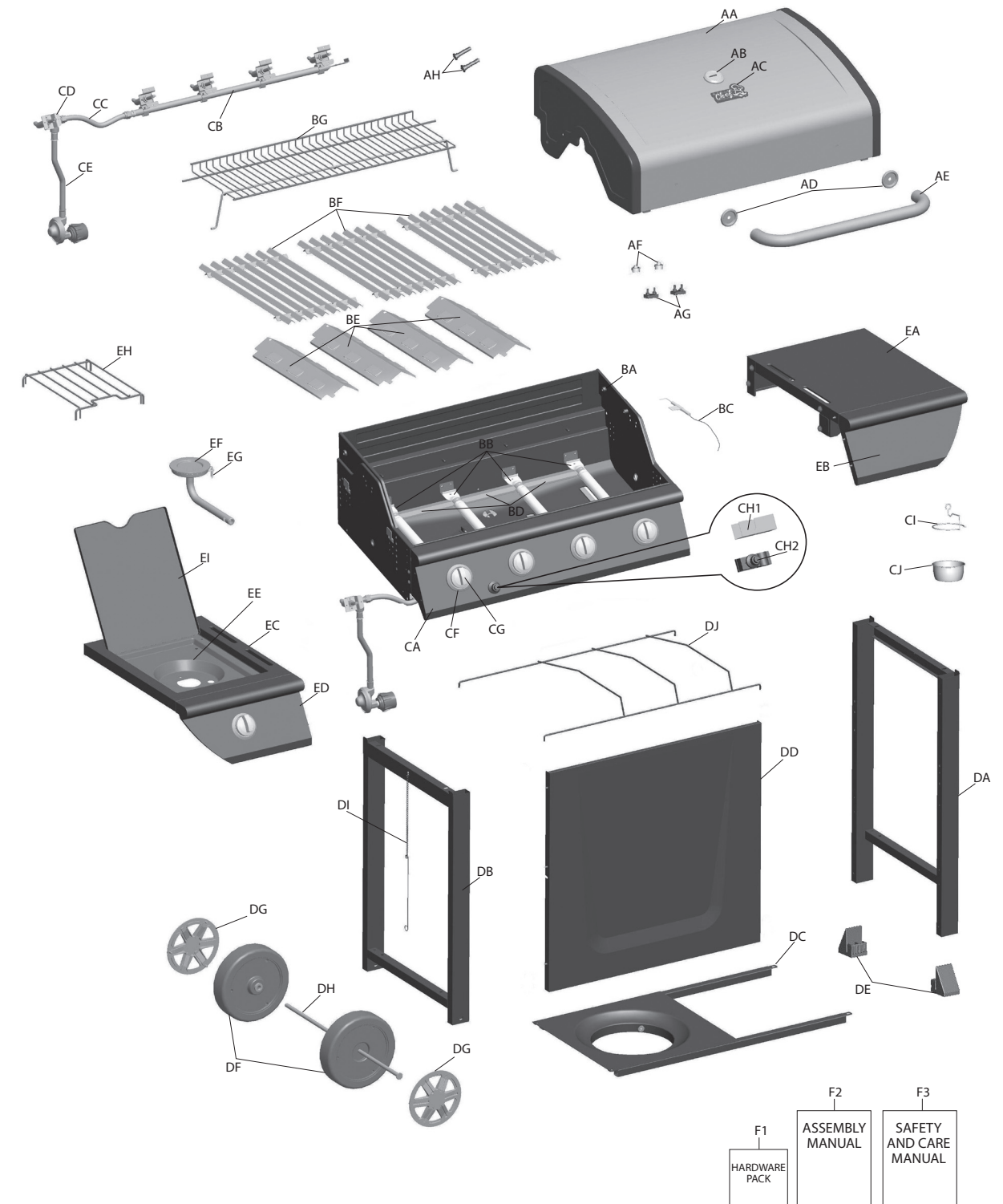
**⚠ Caution:** Sheet metal can cause injury. Wear gloves when installing the grill.

<p><b>1</b></p>  <p>1/4"-20UNCX13mm screw X 12</p>	<p><b>2</b></p>  <p>1/4" x 20UNC 38 mm Screw X 4</p>	<p><b>3</b></p>  <p>1/4" - 20UNC Nut X 12</p>
<p><b>4</b></p>  <p>NO.8x10mm Screw X 2</p>	<p><b>5</b></p>  <p>#8X3/8" Self Tapping Screw X 12</p>	<p><b>6</b></p>  <p>Ø7 Flat Washer X 8</p>
<p><b>7</b></p>  <p>Wheel Spacer X 2</p>	<p><b>8</b></p>  <p>Hitch Pin X 1</p>	<p><b>9</b></p>  <p>Venturi Clip, Side Burner X 1</p>
<p><b>10</b></p>  <p>Wing Screw X 1</p>	<p><b>11</b></p>  <p>Washer (Wheel) X 1</p>	<p><b>12</b></p>  <p>Control Knob X 1</p>
<p><b>13</b></p>  <p>Bezel, Control Knob X 1</p>		

## PARTS LIST (PROPANE) FOR 85-3024-4 (G43208)

KEY #	QUANTITY	DESCRIPTION	PART NO.
AA	1	Top lid assembly	G432-0027-01
AB	1	Thermometer and bezel	G451-0008-01
AC	1	Logo Plate	G451-0001-01
AD	2	Lid handle brackets	G432-0030-01
AE	1	Top lid handle	G432-0029-01
AF	2	Lid bumpers- back	G303-0038-01
AG	2	Lid bumpers-Front	G430-00B8-01
AH	2	Screws for Lid	G430-0024-02
BA	1	Burner box assembly	G432-1900-02
BB	4	Burners	G432-1700-01
BC	1	Electrode set, main burners	G501-0010-01
BD	3	Burner brace assembly	G413-0004-01
BE	4	Flame tamers	G430-0005-01
BF	3	Cooking Grates	G432-4300-01
BG	1	Warming Rack	G432-0001-01
CA	1	Control Panel	G432-0031-01
CB	1	Manifold assembly	G432-3500-01
CC	1	Metal hose, side burner	G432-1102-01
CD	1	Side burner valve	G432-3502-01
CE	1	Regulator	G409-0069-01
CF	4	Bezel, control knob	G430-0027-01
CG	4	Control knob	G432-0032-01
CH1	1	Electronic ignition assembly	G430-0008-01
CH2	1	Electronic ignition button	G501-0072-A1
CI	1	Grease cup hook	G305-0043-01
CJ	1	Grease cup	G430-0033-02
DA	1	Cart side panel, right	G430-2300-01
DB	1	Cart side panel, left	G432-4100-01
DC	1	Bottom shelf	G432-1300-01
DD	1	Front panel	G432-0033-01
DE	2	End caps	G430-0023-01
DF	2	Wheel	G432-0034-01
DG	2	Wheel cap	G432-0035-01
DH	1	Wheel axle	G650-0011-01
DI	1	Match holder	G401-0079-01
DJ	1	Tank exclusion	G432-5302-01
EA	1	Side shelf table (right)	G432-3600-01
EB	1	Side shelf fascia(right)	G432-7101-01
EC	1	Side burner table (left)	G432-3900-01
ED	1	Side shelf fascia (left)	G432-7201-01
EE	1	Side burner -drip pan	G432-0036-01
EF	1	Side burner	G432-7400-01
EG	1	Electrode set, side burner	G430-0042-01
EH	1	Side burner grate	G432-0037-01
EI	1	Side burner lid	G430-0018-02
F1	1	Hardware pack	G432-B008-01
F2	1	Assembly instructions	G432-M008-01
F3	1	Safe use and care manual	G207-M015-02

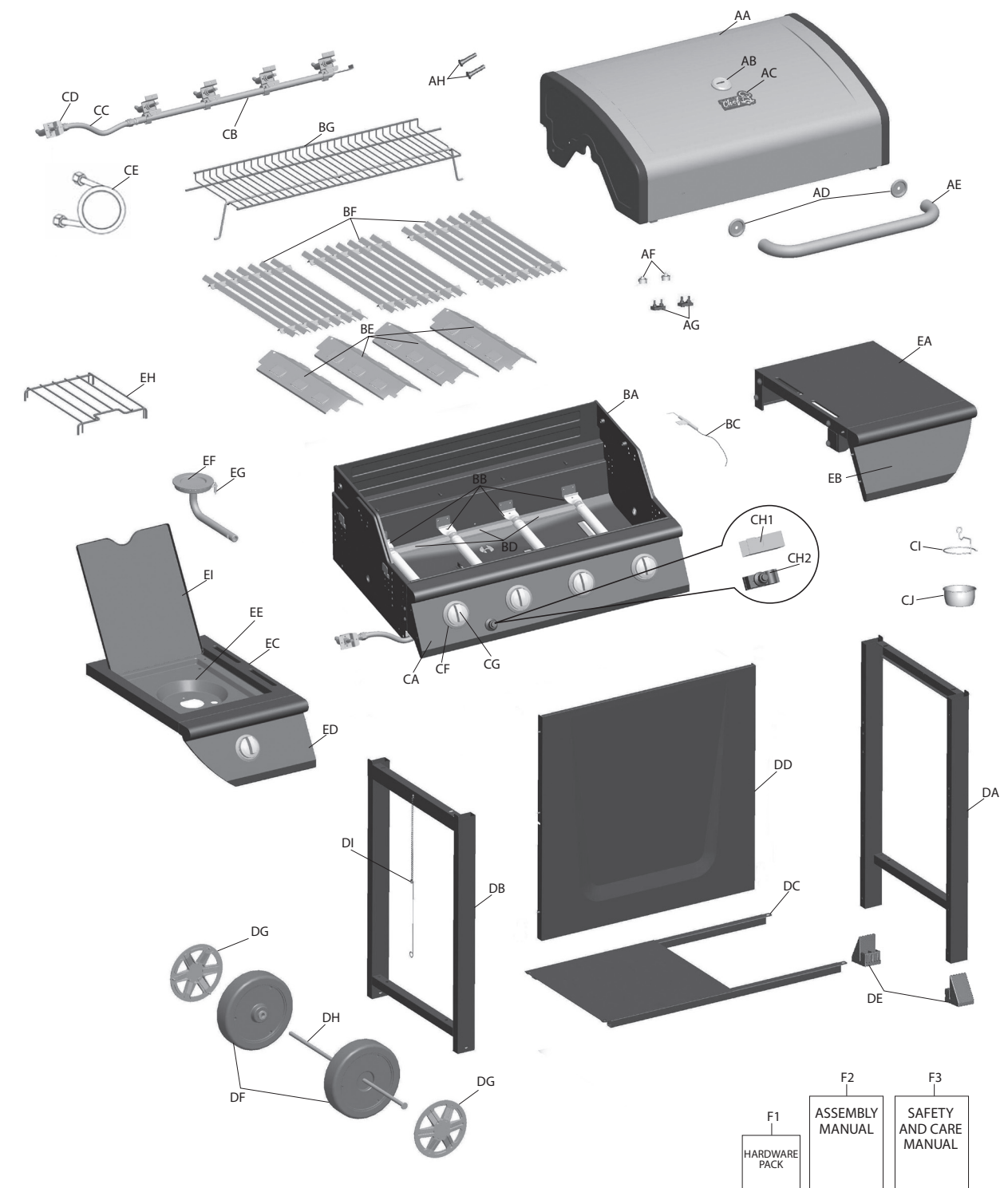
## EXPLODED DIAGRAM (PROPANE) FOR 85-3024-4 (G43208)



## PARTS LIST (NATURAL GAS) FOR 85-3025-2 (G43209)

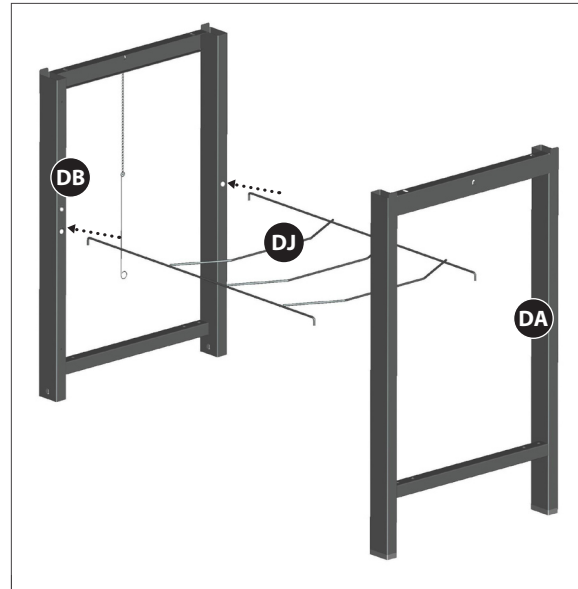
KEY #	QUANTITY	DESCRIPTION	PART NO.
AA	1	Top lid assembly	G432-0027-01
AB	1	Thermometer and bezel	G451-0008-01
AC	1	Logo Plate	G451-0001-01
AD	2	Lid handle brackets	G432-0030-01
AE	1	Top lid handle	G432-0029-01
AF	2	Lid bumpers- back	G303-0038-01
AG	2	Lid bumpers-Front	G430-00B8-01
AH	2	Screws for Lid	G430-0024-02
BA	1	Burner box assembly	G432-1900-02
BB	4	Burners	G431-0300-01
BC	1	Electrode set, main burners	G501-0010-01
BD	3	Burner brace assembly	G413-0004-01
BE	4	Flame tamers	G430-0005-01
BF	3	Cooking Grates	G432-4300-01
BG	1	Warming Rack	G432-0001-01
CA	1	Control Panel	G432-0031-01
CB	1	Manifold assembly	G432-7700-01
CC	1	Metal hose, side burner	G432-1102-01
CD	1	Side burner valve	G432-7702-01
CE	1	Natural Gas Hose	G501-0099-01
CF	4	Bezel, control knob	G430-0027-01
CG	4	Control knob	G432-0032-01
CH1	1	Electronic ignition assembly	G430-0008-01
CH2	1	Electronic ignition button	G501-0072-A1
CI	1	Grease cup hook	G305-0043-01
CJ	1	Grease cup	G430-0033-02
DA	1	Cart side panel, right	G430-2300-01
DB	1	Cart side panel, left	G432-4100-01
DC	1	Bottom shelf	G432-4400-01
DD	1	Front panel	G432-0033-01
DE	2	End caps	G430-0023-01
DF	2	Wheel	G432-0034-01
DG	2	Wheel cap	G432-0035-01
DH	1	Wheel axle	G650-0011-01
DI	1	Match holder	G401-0079-01
EA	1	Side shelf table (right)	G432-3600-01
EB	1	Side shelf fascia(right)	G432-7101-01
EC	1	Side burner table (left)	G432-3900-01
ED	1	Side shelf fascia (left)	G432-7201-01
EE	1	Side burner -drip pan	G432-0036-01
EF	1	Side burner	G432-7400-01
EG	1	Electrode set, side burner	G430-0042-01
EH	1	Side burner grate	G432-0037-01
EI	1	Side burner lid	G430-0018-02
F1	1	Hardware pack	G432-B008-01
F2	1	Assembly instructions	G432-M008-01
F3	1	Safe use and care manual	G207-M015-02

## EXPLODED DIAGRAM (NATURAL GAS) FOR 85-3025-2 (G43209)

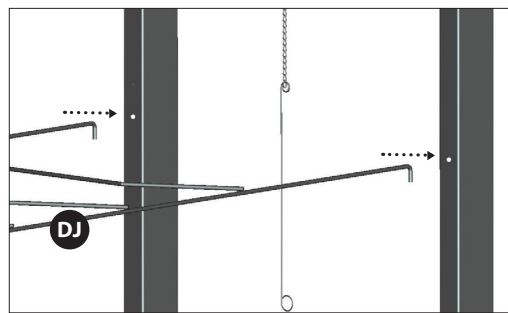


# ASSEMBLY INSTRUCTIONS

1



Front View



Close Up

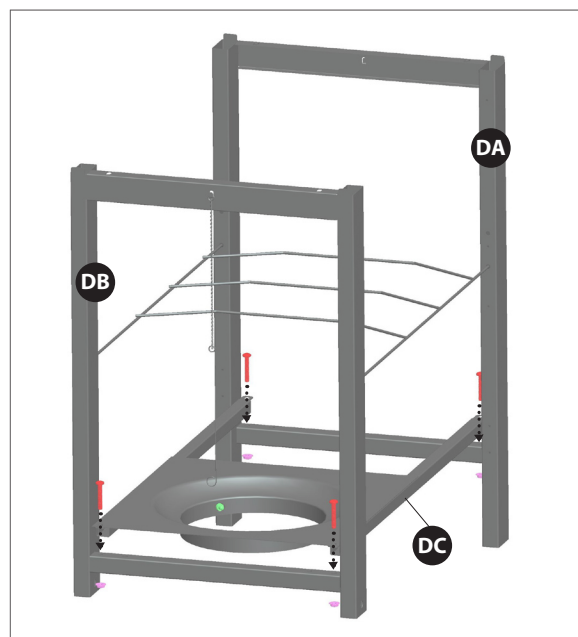
## PROPANE MODEL ONLY

**Note: You will need two people for this step.**

Assemble the tank exclusion (DC) to the left and right cart side panels (DB, DA), as shown.

**Note: The left cart side panel (DB) will have large holes on the end of the legs for assembling the wheel axle (DI).**

2

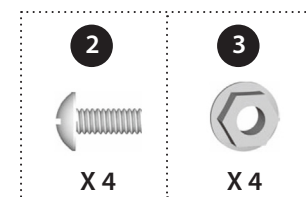


Left Side View

**Note: Turn Cart assembly over. Front panel should be facing upward.**

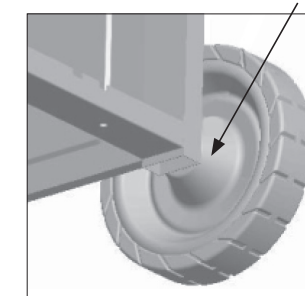
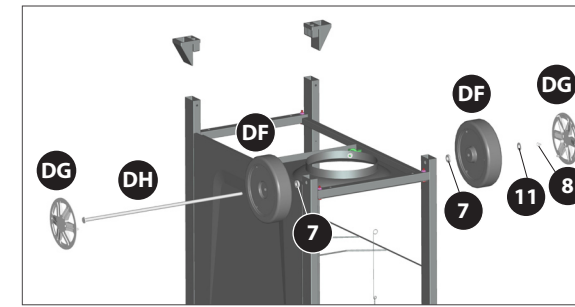
Assemble the bottom shelf (DC) to the rear, left and right cart side panels (DB, DA), as shown.

YOU WILL NEED:



# ASSEMBLY INSTRUCTIONS

3



**Note: Turn Cart assembly upside down.**

a. Place wheel (DF) and wheel spacer (#7) onto wheel axle (DH). "Cone" side of wheel should be against cart side panel, figure B.

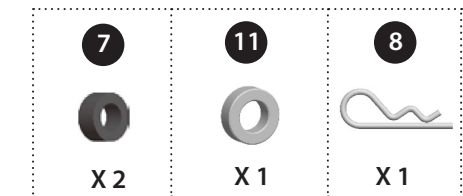
b. Insert wheel axle assembly (DH) through wheel axle hole in the front and rear, of the left cart side panel (DB), as shown.

c. To complete wheel assembly, position the wheel spacer (#7), wheel (DF), wheel washer (#11) and hitch pin (#8), onto wheel axle (DG), as shown.

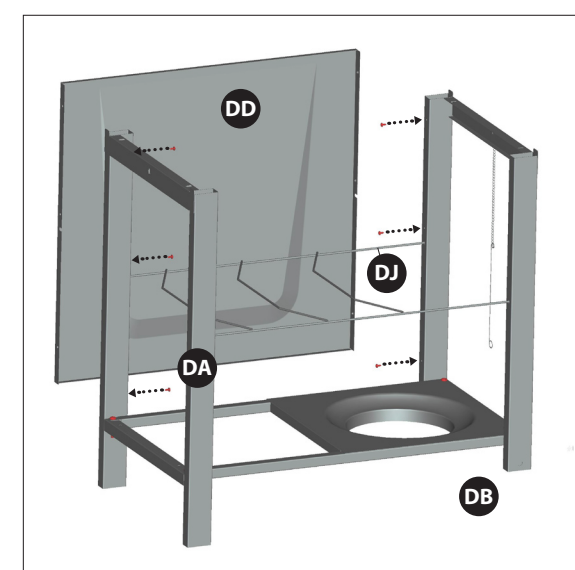
d. Insert wheel cap (DG) into wheel (DF).

e. Insert end caps (DE) into cart side panel, right (DA).

YOU WILL NEED:



4

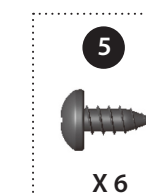


Back View

Assemble the front panel (DD) to the left and right cart side panels (DB, DA), as shown. Ensure that the slots on the tank exclusion (DJ) align with the slots on the front panel (DD).

**NATURAL GAS MODEL WILL NOT HAVE TANK EXCLUSION (DJ), SHOWN IN IMAGE.**

YOU WILL NEED:



# ASSEMBLY INSTRUCTIONS

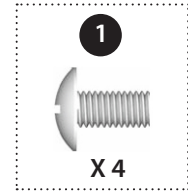
## 5



**Note:** Stand cart assembly upright. **TWO PEOPLE** required for this step. Ensure that the regulator hose (CE) (Propane models only) is hanging outside of cart.

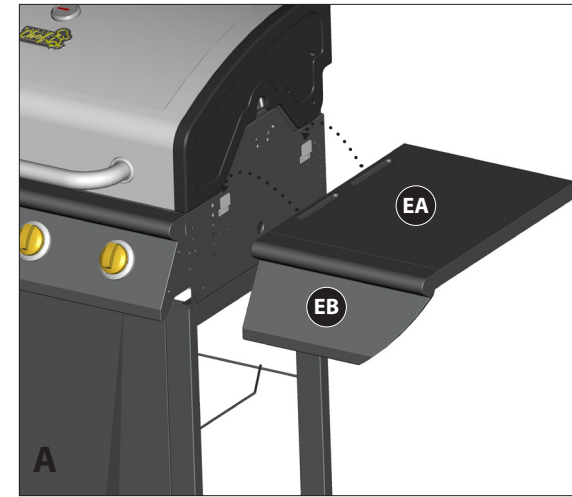
Position the lid and burner box assembly (A&B), onto the cart assembly (C), and assemble.

YOU WILL NEED:



# ASSEMBLY INSTRUCTIONS

## 6

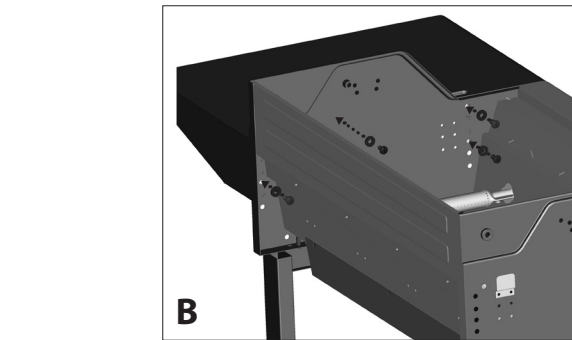
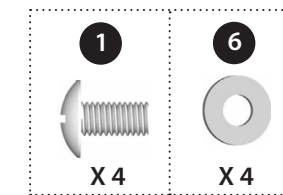


### RIGHT SIDE SHELF ASSEMBLY

a. Insert the right side shelf assembly hooks (EA & EB) into the grooves located on the right side of the burner box assembly (B).

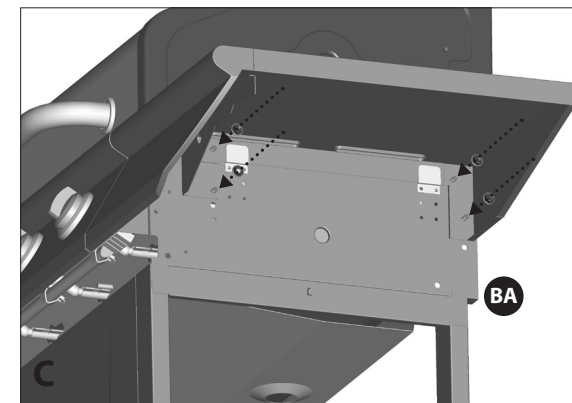
b. Affix the right side shelf table (EA) to the burner box assembly (B).

YOU WILL NEED:



c.

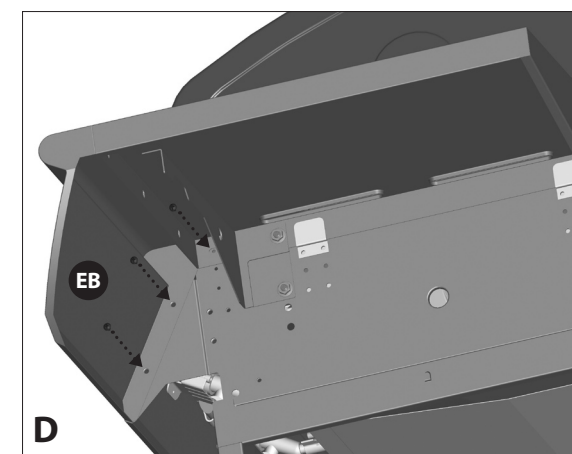
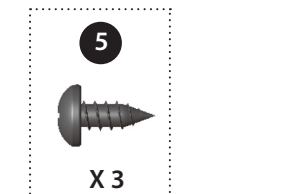
YOU WILL NEED:



d. Affix the right side shelf fascia (EB) to the control panel (CA).

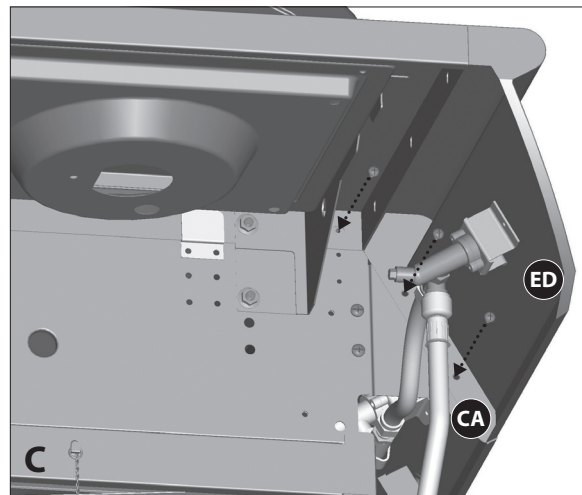
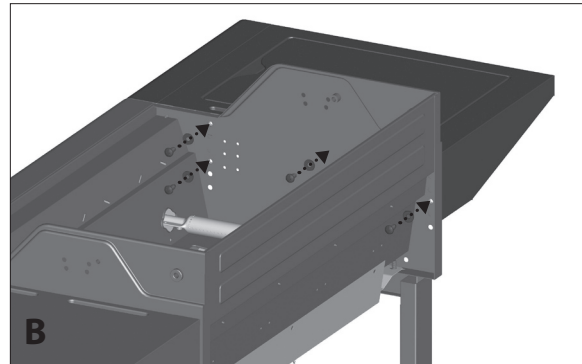
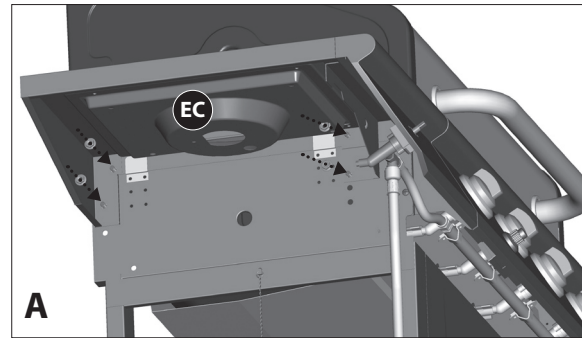
**Securely tighten all hardware.**

YOU WILL NEED:



# ASSEMBLY INSTRUCTIONS

## 7

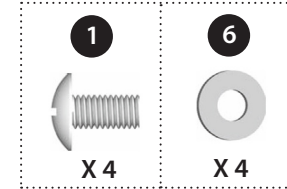


### LEFT SIDE SHELF ASSEMBLY

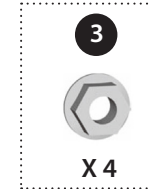
- Insert the left side shelf assembly hooks (EC and ED) into the grooves located on the left side of the burner box assembly (BA).
- Affix the left side shelf table (EC) to the burner box assembly (BA).

**Securely tighten all hardware.**

YOU WILL NEED (FIGURE B):

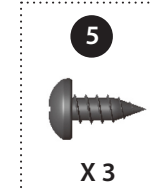


YOU WILL NEED (FIGURE A):



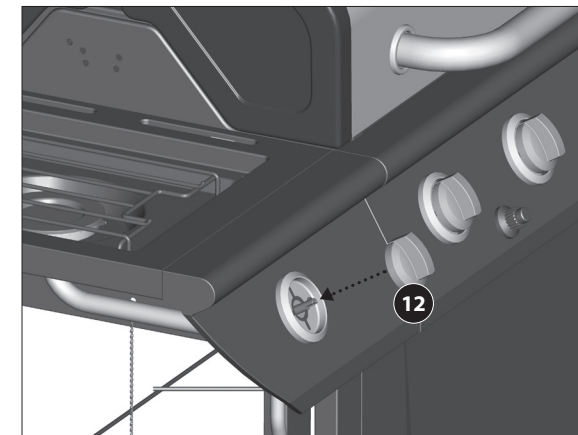
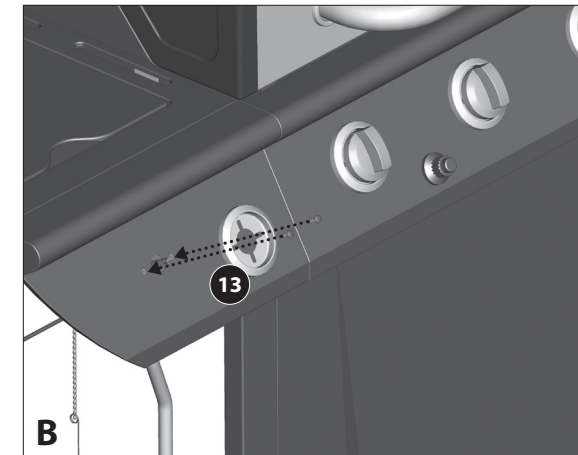
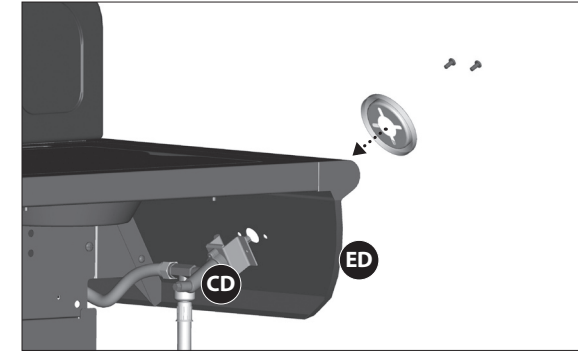
- Affix the left side shelf fascia (ED) to the control panel (CA).

YOU WILL NEED:



# ASSEMBLY INSTRUCTIONS

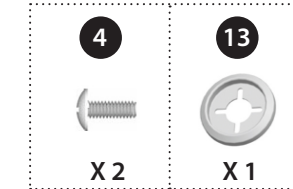
## 8



### SIDE BURNER ASSEMBLY

- Two people required in this step.** Insert the side burner valve stem (CD) through the rear of the left side shelf fascia (ED). Position the bezel (#13) on the front of the left side shelf fascia (ED), and align all holes. Assemble all three parts together, as shown in figure B. **Securely tighten hardware.**

YOU WILL NEED:



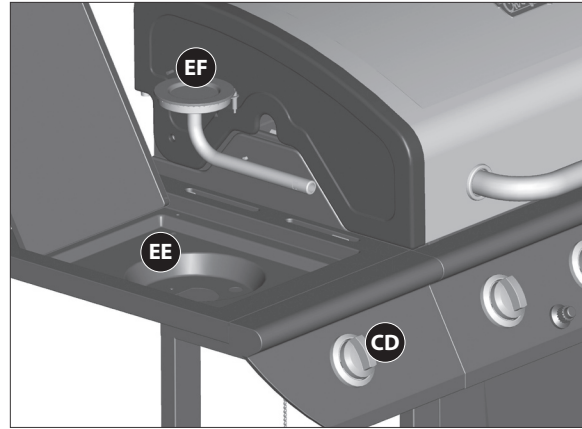
- Position control knob (#12) onto side burner, valve-stem (CD).

YOU WILL NEED:



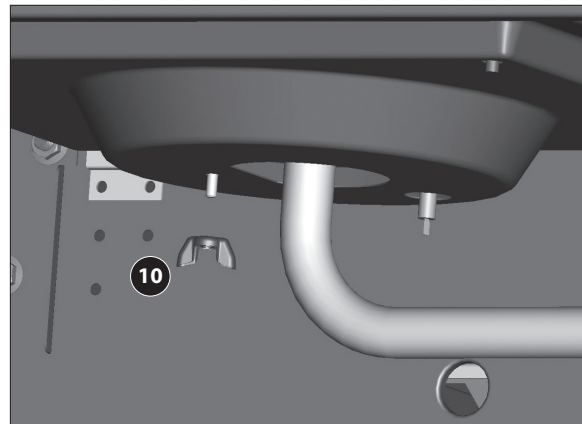
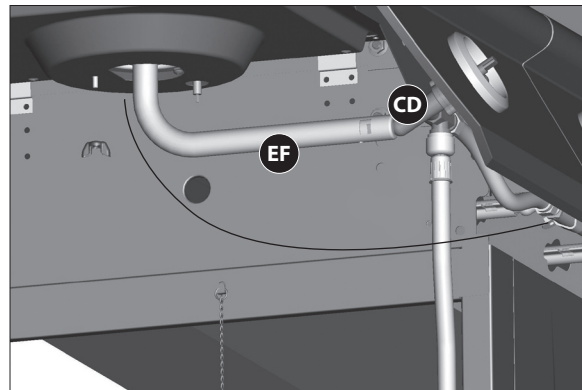
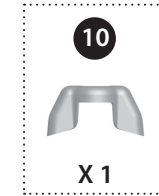
## ASSEMBLY INSTRUCTIONS

# 9



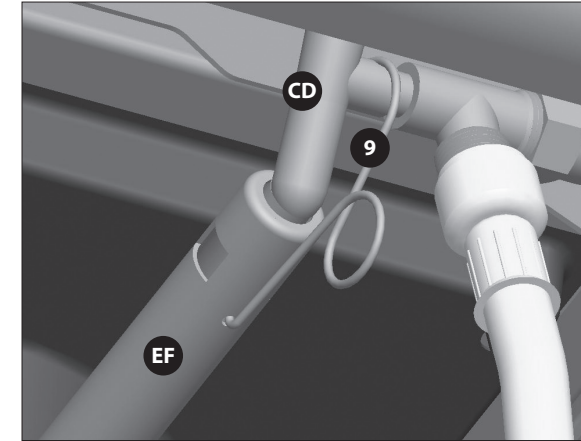
a. Position the side burner (EF) through the opening in the side burner drip pan (EE). Make sure the side burner (EF) engages the side burner valve (CD), and assemble. As shown in figure B & C.

YOU WILL NEED:



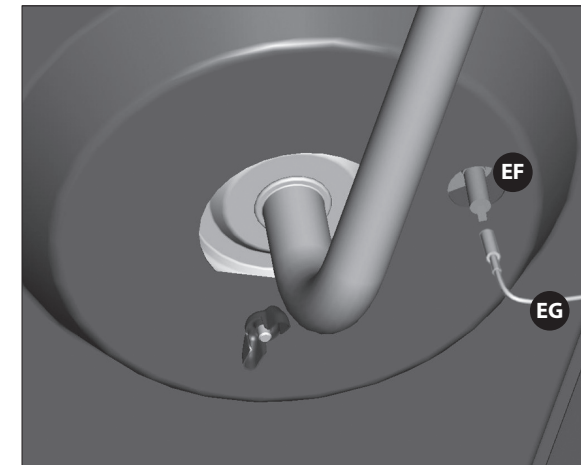
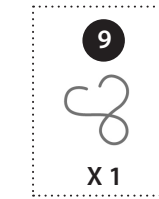
## ASSEMBLY INSTRUCTIONS

# 10

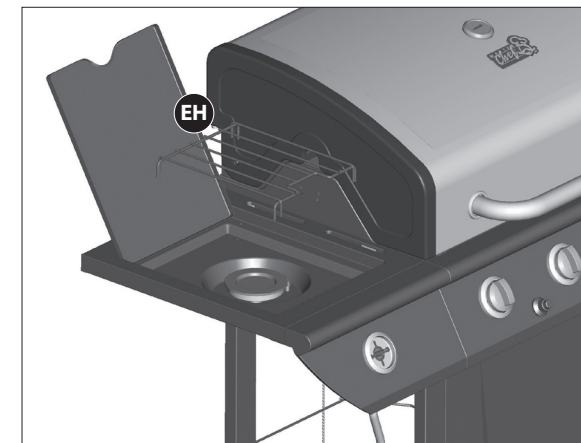


a. Use the side burner venturi clip (#9) to connect the side burner (EF) to the side burner valve (CD).

YOU WILL NEED:



b. Attach the end of the side burner electrode wire (EG) to the underside of the side burner with electrode (EF), as shown. **Ensure that the wire is pushed in firmly.**

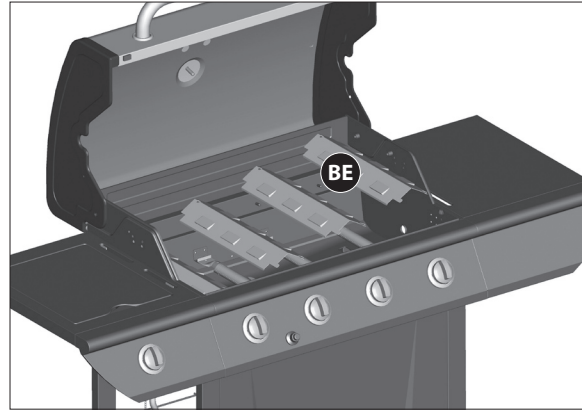


c. Place the side burner cooking grate (EH) into position on the side burner shelf.

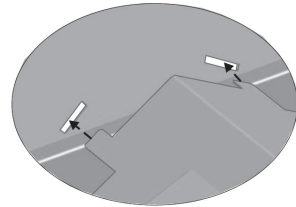
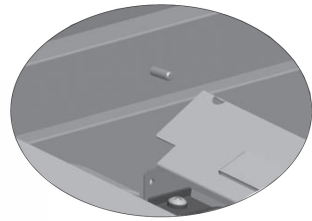


## ASSEMBLY INSTRUCTIONS

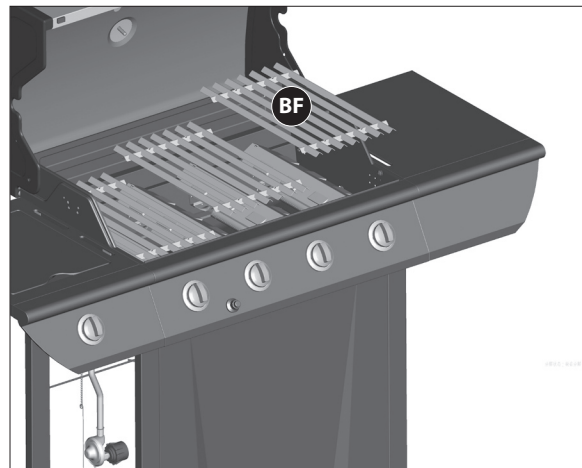
11



Place the flame tamers (BE) into the burner box.



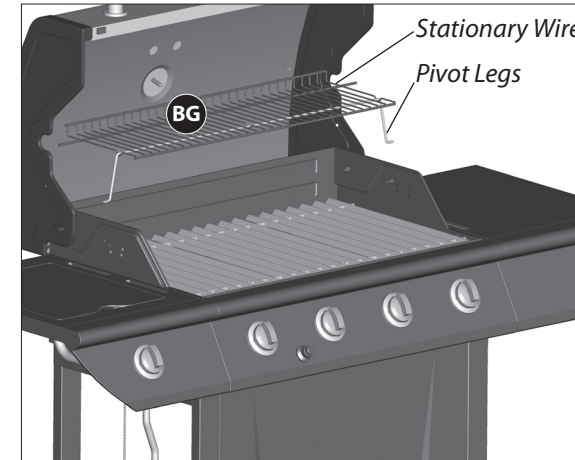
12



Place the cooking grates (BF) into the burner box.

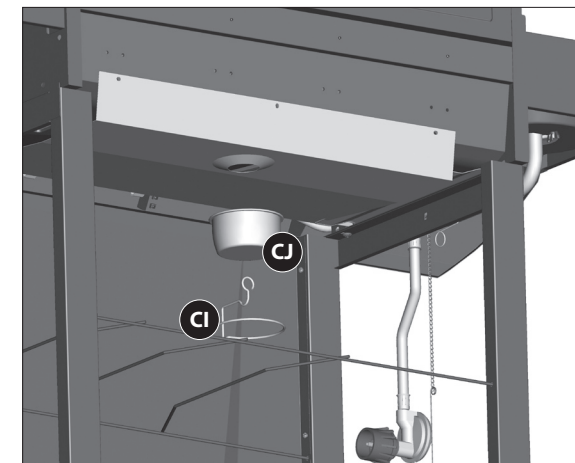
## ASSEMBLY INSTRUCTIONS

13



To assemble the warming rack (BG), insert the stationary wire into the holes on the sides of the lid. Insert warming rack pivot legs into the holes on the inside of the burner box assembly, as shown.

14



Hang the grease cup hook (CI) from the bottom of the burner box (BA), and place grease cup (CJ) into position.

### PROPANE MODEL SHOWN

**⚠ CAUTION ⚠**  
*Failure to assemble grease cup hook and grease cup will cause hot grease to drip from the bottom of the BBQ burner box, with the risk of fire, property damage, or personal injury.*



## ASSEMBLY INSTRUCTIONS

15



### PROPANE MODEL SHOWN

**ATTENTION:** LP Cylinder is sold separately. Use only LP tanks that are equipped with an OPD (Overfill protection device). Fill and Leak check before attaching to the BBQ hose and regulator. See Safe Use and Care Manual, leak test procedure for more information

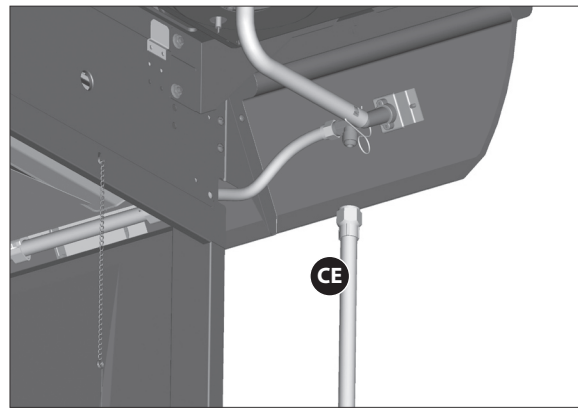
#### ⚠ CAUTION ⚠

Cylinder valve must face to the front of cart once the tank is attached. Failure to install cylinder correctly may allow gas hose to be damaged in operation, resulting in fire.

#### ⚠ WARNING ⚠

Always keep LP cylinder in upright position during use, transport and storage.

16



### NATURAL GAS MODELS ONLY

Attach the natural gas hose (CE) to the side burner valve fitting, as shown.

**ATTENTION:** In order to complete installation of your natural gas BBQ a 1/2" or 3/8" adapter may be required to connect your BBQ's natural gas hose to your home gas supply. Contact your natural gas supplier to purchase the necessary part.

## ASSEMBLY INSTRUCTIONS

17



### Electronic ignition battery not included.

Unscrew the electronic ignition button (CH2) and insert one AA battery into the electronic ignition battery compartment (CH1), with the positive end facing outward.