

This Owner's Manual is provided and hosted by [Appliance Factory Parts](#).



Master Chef G45105 Owner's Manual

[Shop genuine replacement parts for Master Chef
G45105](#)



[Find Your Master Chef Grill Parts - Select From 118 Models](#)

----- Manual continues below -----



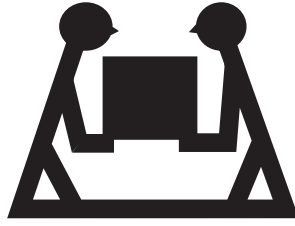
T420 Barbecue Assembly Manual

85-3004-2 (G45104) Propane
85-3005-0 (G45105) Natural Gas

1 YEAR LIMITED WARRANTY

**READ AND SAVE MANUAL FOR FUTURE REFERENCE.
If pre-assembled, leave this manual with unit for
consumer's future reference.**

**For product inquiries, parts, warranty and
troubleshooting support, please call 1-877-707-5463.**



HEAVY ARTICLE NEEDS 2 TO LIFT

THIS MANUAL MUST REMAIN WITH THE PRODUCT AT ALL TIMES

To ORDER non-warranty replacement parts or accessories, or to register your warranty, please visit us on the web at

www.masterchefbbqs.com

⚠ CAUTION

Sharp edges. Wear gloves when assembling your grill.

⚠ CAUTION

Read and follow all safety statements, assembly instructions, and use and care directions before attempting to assemble and cook.

⚠ INSTALLER OR ASSEMBLER/CONSUMER

This manual should be kept with the BBQ at all times.

⚠ WARNING

Failure to follow all of the Manufacturer's instructions could result in hazardous fires, explosions, property damage, or serious personal injury or even death.

Follow all leak check procedures carefully prior to operation of barbecue, even if grill was dealer assembled. Do not try to light this barbecue without reading the Lighting Instructions section of this manual.

⚠ DANGER

1. If you smell Gas:
 - a. Shut off gas to the appliance
 - b. Extinguish any open flame
 - c. Open lid
 - d. If odor continues, keep away from the appliance and immediately call your gas supplier or your fire department
 2. Requires two people to complete the assembly process.
 3. Beware of sharp edges.
-

⚠ WARNING

1. Do not store or use gasoline or other flammable liquids or vapours in the vicinity of this or any other appliance.
 2. An LP cylinder not connected for use shall not be stored in the vicinity of this or any other appliance.
-

THIS BARBECUE IS FOR OUTDOOR USE ONLY

CONTACT CALL CENTRE IF ANY PARTS ARE MISSING

1-877-707-5463

PARTS LIST (PROPANE) FOR 85-3004-2 (G45104)

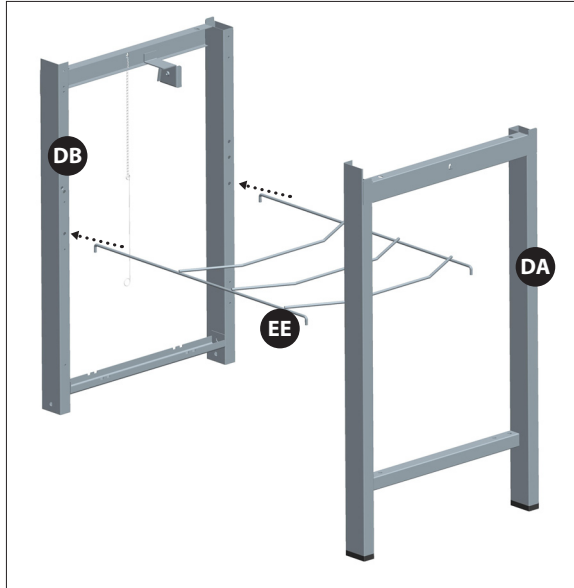
KEY #	QUANTITY	DESCRIPTION	PART NO.
AA	1	Top Lid assembly	G451-0100-01
AB	1	Thermometer and Bezel	G451-0008-01
AC	1	Logo plate	G451-0001-01
AD	1	Top Lid Handle	G413-0001-01
AE	2	Lid Bumbers- Back	G303-0038-01
AF	2	Lid Bumbers- Front	G430-00B8-01
AG	2	Screws for Lid	G430-0024-01
BA	1	Burner Box Assembly	G451-0200-01
BB	3	Burner	G431-0300-01
BC	1	Electrode Set, main burners	G501-0010-01
BD	2	Burner brace assembly	G413-0004-01
BE	3	Flame Tamers	G430-0005-01
BF	3	Cooking Grates	G451-1200-01
BG	1	Warming Rack	G430-0003-01
CA	1	Control Panel	G451-0002-01
CB	1	Manifold Assembly	G451-1000-01
CC	1	Regulator	G402-0069-01
CD	3	Bezel, Control Knob	G430-0027-01
CE	3	Control Knob	G430-0026-01
CF1	1	Electronic Ignition Assembly	G430-0008-01
CF2	1	Electronic Ignition Button	G501-0072-A1
CG	1	Grease Cup Hook	G305-0043-01
CH	1	Grease Cup	G430-0033-02
DA	1	Cart side panel, right	G451-0500-01
DB	1	Cart side panel, left	G451-0400-01
DC	1	Back brace	G431-0031-01
DD	1	Front panel	G451-0005-01
DE	2	End Caps	G431-0004-01
DF	1	Match Holder	G401-0079-01
DG	2	Wheel cap	G303-0020-01
DH	2	Wheel	G210-0018-02
DI	1	Wheel Axle	G430-0007-01
EA	1	Side Shelf table (right)	G430-1500-01
EB	1	Side shelf fascia(right)	G451-0003-01
EC	1	Side Shelf table (left)	G430-2100-01
ED	1	Side shelf fasica (left)	G451-0007-01
EE	1	Tank Exclusion	G430-5402-01
EF	1	Tank retainer clip	G306-0020-02
F1	1	Hardware Pack	G451-B004-01
F2	1	Assembly Instructions	G451-M004-01
F3	1	Safe Use and Care Manual	G207-M015-02

PARTS LIST (NATURAL GAS) FOR 85-3005-0 (G45105)

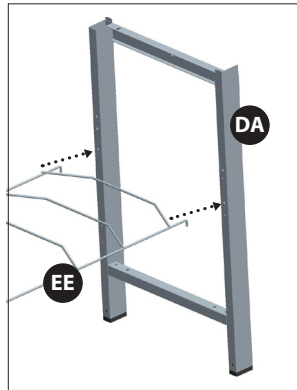
KEY #	QUANTITY	DESCRIPTION	PART NO.
AA	1	Top lid assembly	G451-0100-01
AB	1	Thermometer	G451-0008-01
AC	1	Logo plate	G451-0001-01
AD	1	Top lid handle	G413-0001-01
AE	2	Lid bumpers- back	G303-0038-01
AF	2	Lid bumpers- front	G430-00B8-01
AG	2	Screws for lid	G430-0024-01
BA	1	Burner box assembly	G451-0200-01
BB	3	Burner	G431-0300-01
BC	1	Electrode set, main burners	G501-0010-01
BD	2	Burner brace assembly	G413-0004-01
BE	3	Flame tamers	G430-0005-01
BF	3	Cooking grates	G451-1200-01
BG	1	Warming rack	G430-0003-01
CA	1	Control panel	G451-0002-01
CB	1	Manifold assembly	G451-1100-01
CC	1	Natural gas hose	G501-0099-01
CD	3	Bezel, control knob	G430-0027-01
CE	3	Control knob	G430-0026-01
CF1	1	Electronic ignition assembly	G430-0008-01
CF2	1	Electronic ignition button	G501-0072-A1
CG	1	Grease cup hook	G305-0043-01
CH	1	Grease cup	G430-0033-02
DA	1	Cart side panel, right	G451-0500-01
DB	1	Cart side panel, left	G430-1000-01
DC	1	Back brace	G431-0031-01
DD	1	Front panel	G451-0005-01
DE	2	End caps	G431-0004-01
DF	1	Match holder	G401-0079-01
DG	2	Wheel cap	G303-0020-01
DH	2	Wheel	G210-0018-02
DI	1	Wheel axle	G430-0007-01
EA	1	Side shelf table (right)	G430-1500-01
EB	1	Side shelf fascia(right)	G451-0003-01
EC	1	Side shelf table (left)	G430-2100-01
ED	1	Side shelf fascia (left)	G451-0007-01
F1	1	Hardware pack	G451-B004-01
F2	1	Assembly instructions	G451-M004-01
F3	1	Safe Use and Care Manual	G207-M015-02

ASSEMBLY INSTRUCTIONS

1



Front View



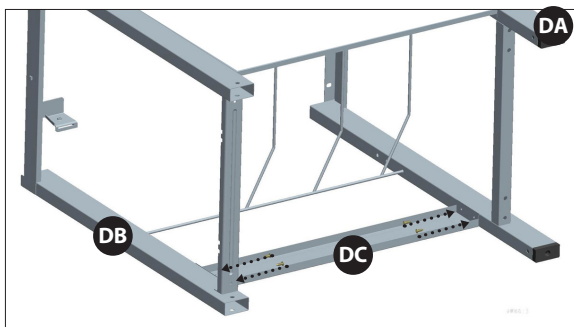
PROPANE MODEL ONLY

Note: You will need two people for this step.

Assemble the tank exclusion (EE) to the left and right cart side panels (DA, DB), as shown.

Note: The left cart side panel (DB) will have large holes on the end of the legs for assembling the wheel axle (DI).

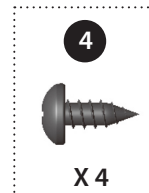
2



Note: Turn Cart assembly over. Front panel should be facing upward.

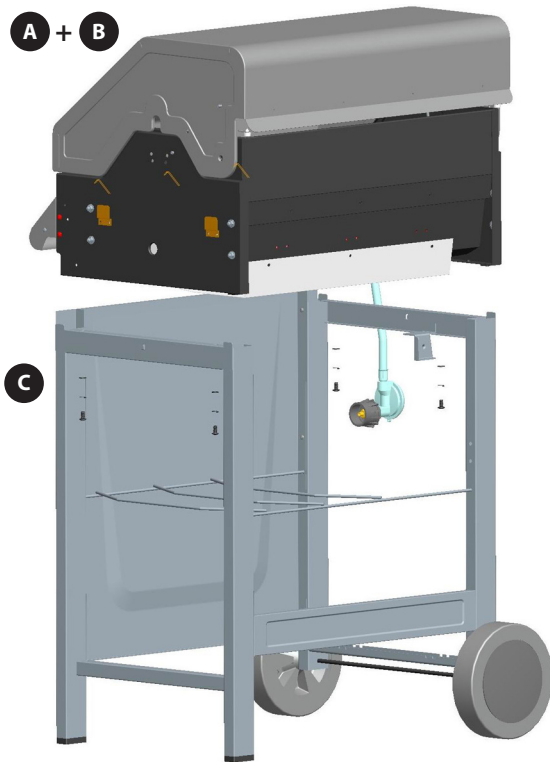
Assemble the back brace (DC) to the rear, left and right cart side panels (DA, DB), as shown.

YOU WILL NEED:



ASSEMBLY INSTRUCTIONS

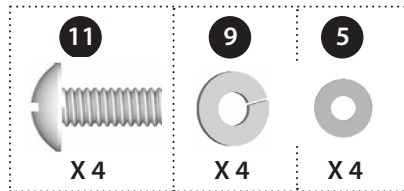
5



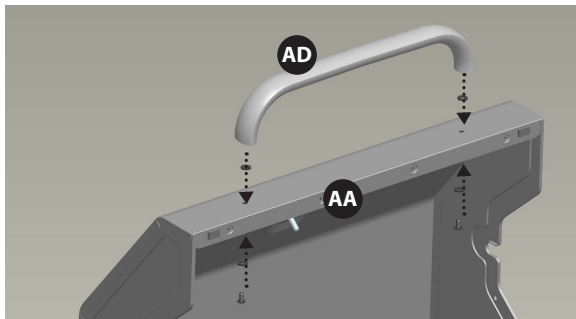
Note: Stand cart assembly upright. TWO PEOPLE required for this step. Ensure that the regulator hose (Propane models only) is hanging outside of cart.

Position the lid and burner box assembly (A&B), onto the cart assembly (C), and assemble.

YOU WILL NEED:

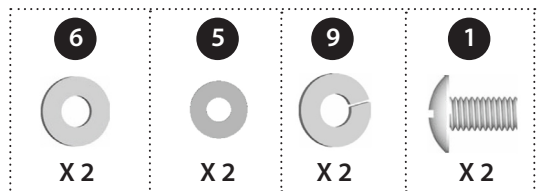


6

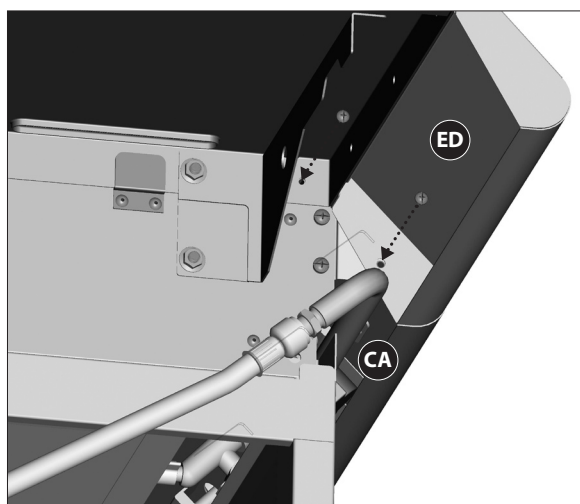
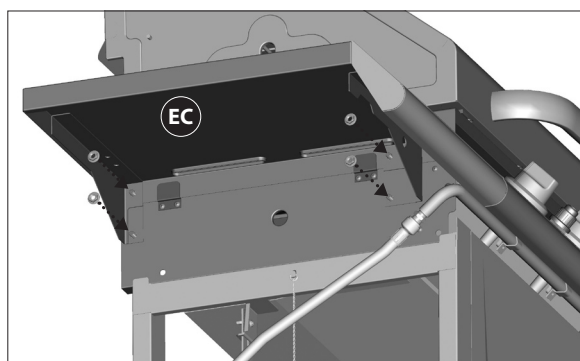
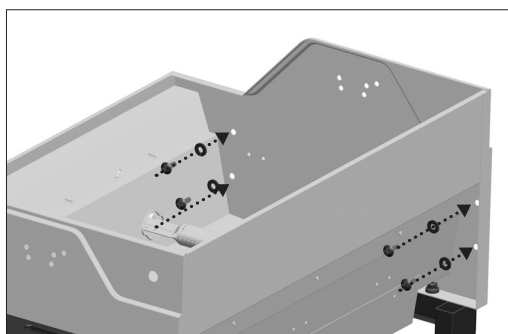
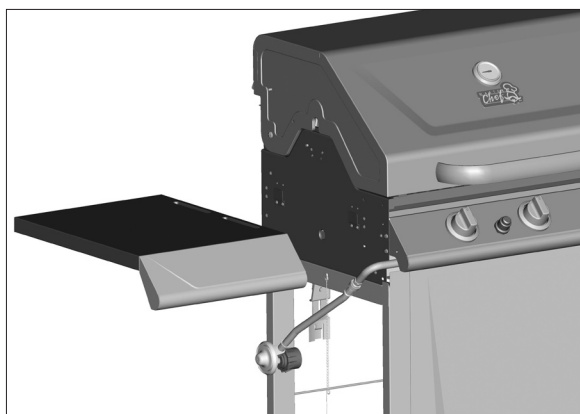


Assemble the top lid handle (AD) to the top lid assembly (AA).

YOU WILL NEED:



8

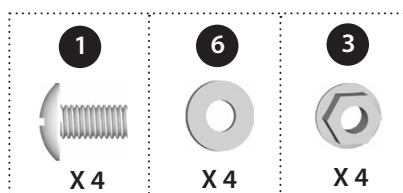


LEFT SIDE SHELF ASSEMBLY

a. Insert the left side shelf assembly hooks (EC and ED) into the grooves located on the left side of the burner box assembly (BA).

b. Affix the left side shelf table (EC) to the burner box assembly (BA).

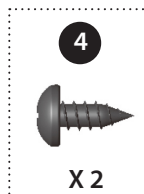
YOU WILL NEED:



c. Affix the left side shelf fascia (ED) to the control panel (CA).

Securely tighten all hardware.

YOU WILL NEED:



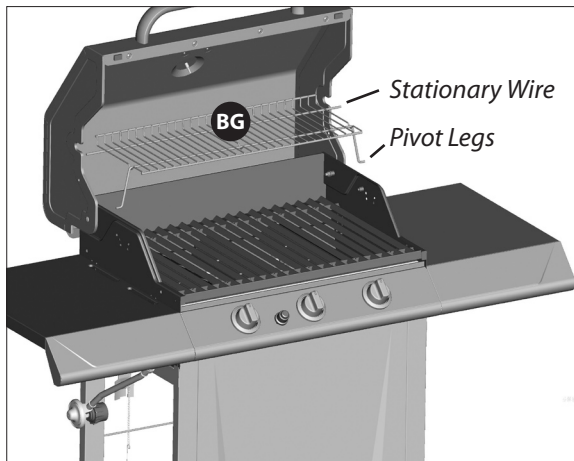
ASSEMBLY INSTRUCTIONS

11



Place the cooking grates (BF) into the burner box.

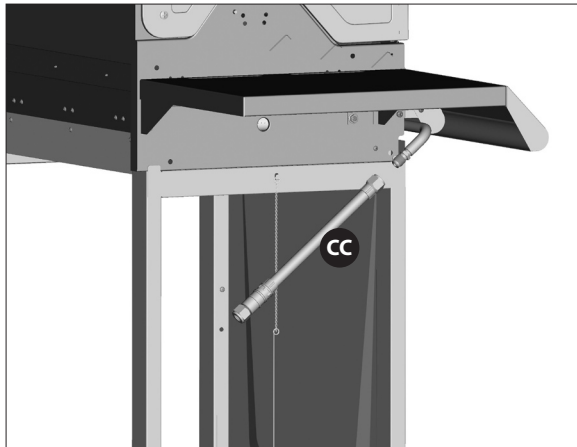
12



To assemble the warming rack (BG), insert the stationary wire into the holes on the sides of the lid. Insert warming rack pivot legs into the holes on the inside of the burner box assembly, as shown.

ASSEMBLY INSTRUCTIONS

15



NATURAL GAS MODELS ONLY

Attach the natural gas hose (CC) to the side burner valve fitting, as shown.

ATTENTION: In order to complete installation of your natural gas BBQ a 1/2" or 3/8" adapter may be required to connect your BBQ's natural gas hose to your home gas supply. Contact your natural gas supplier to purchase the necessary part.

16



Electronic ignition battery not included.

Unscrew the electronic ignition button (CF2) and insert one AA battery into the electronic ignition battery compartment (CF1), with the positive end facing outward.