

This Owner's Manual is provided and hosted by [Appliance Factory Parts](#).



GE ZGU364NDP1SS Owner's Manual

[Shop genuine replacement parts for GE
ZGU364NDP1SS](#)



[Find Your GE Gas Range Parts - Select From 430 Models](#)

----- Manual continues below -----

Installation Instructions

Professional Outdoor Grills and
Cooktop

Tables de cuisson et barbecues
de plein air professionnels

Instructions d'installation

La section française commence à la page 23

Parrillas y estufa profesionales
para el aire libre

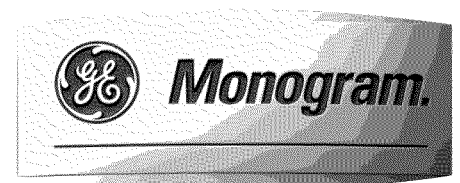
Instrucciones de instalación

La sección en español empieza en la página 45



31-10702

11-08 JR



Installation Instructions

BEFORE YOU BEGIN

Read these instructions completely and carefully.

- **IMPORTANT** – Save these instructions for local inspector's use.
- **IMPORTANT** – Observe all governing codes and ordinances.
- **Note to Installer** – Be sure to leave these instructions with the Consumer.
- **Note to Consumer** – Keep these instructions with your Owner's Manual for future reference.

If you have questions concerning the installation of this product, call the GE Answer Center® Consumer Information Service at 800.626.2000, 8 a.m. to 10 p.m. EST, Monday through Friday, and 8 a.m. to 7 p.m. EST, Saturday.

If you received a damaged grill or cooktop, you should contact your dealer.

Installation of this outdoor grill or cooktop requires basic mechanical skills. Proper installation is the responsibility of the installer.

For Monogram local service in your area, call 1.800.444.1845.

For Monogram service in Canada, call 1.800.561.3344.

For Monogram Parts and Accessories, call 1.800.626.2002.

FOR YOUR SAFETY: Do not use the grill or cooktop in a space where gasoline or other liquids having flammable vapors are stored or used.

The installation must conform to local codes or, in the absence of local codes, with either the National Fuel Gas Code, ANSI Z223.1/NFPA 54, National Gas and propane Installation Code.

⚠ WARNING:

- **For outdoor use only.** Use this outdoor grill or cooktop only in the manner intended by the manufacturer.
- This outdoor cooking gas appliance is not intended to be installed in or on recreational vehicles and/or boats.
- Do not use the grill in an explosive atmosphere. Keep the grill away from areas where gasoline or other flammable liquids and vapors are stored or being used.
- Observe proper clearances to combustible materials at all times.
- Do not use a rusty or damaged LP tank.
- Never substitute gases (natural for LP or LP for natural). These grills are factory-set for LP or natural gas. Order the model for the installation situation.
- When storing the grill indoors, disconnect the LP tank. Store the tank outdoors in a well ventilated area.
- Do not store additional LP tanks in or near the gas grill.
- Follow the guidelines on the LP tank for proper storage, transport and handling.

IF YOU SMELL GAS:

- Shut off gas to appliance.
- Extinguish any open flame.
- Open lid.
- If odor continues, keep away from the appliance and immediately call your gas supplier or fire department.

BEFORE LIGHTING:

1. Read instructions before lighting.
2. Open lid during lighting.
3. If ignition does not occur in 5 seconds, turn the burner control(s) to OFF, wait 5 minutes and repeat the lighting.

Installation Instructions

FOR OUTDOOR USE ONLY

IMPROPER INSTALLATION, ADJUSTMENT, ALTERATION, SERVICE OR MAINTENANCE CAN CAUSE PROPERTY DAMAGE, INJURY OR DEATH. READ THIS MANUAL THOROUGHLY BEFORE INSTALLATION, USE OR SERVICING THIS EQUIPMENT.

CALIFORNIA PROPOSITION 65

▲WARNING: The burning of gas cooking fuel generates some by-products, which are on the list of substances, which are known by the State of California to cause cancer or reproductive harm. California law requires businesses to warn customers of potential exposure to such substances. To minimize exposure to the substances, always operate this unit according to the Use and Care instructions provided with this unit. Be certain to provide adequate ventilation when cooking. California Proposition 65 lists "Silica, crystalline" which is used in one of the components of the IR burner, as an agent known to the state of California to cause cancer.

In Massachusetts: All gas products must be installed using a "Massachusetts" licensed plumber or gasfitter. A "T" handle type manual gas valve must be installed in the gas supply line to this appliance. This applies to permanently installed natural gas and propane installations. This does not apply to propane portable installations using a 20-pound tank (not included) plus regulator and hose assembly, which is supplied with propane gas grills.

INSECT WARNING!

Spiders and insects can nest in the burners of this and any other grill and cause the gas to flow from the front of the burner. This is a very dangerous condition which can cause fire to occur behind the valve panel, thereby damaging the grill and making it unsafe to operate. Inspect the grill twice a year or immediately if any symptoms appear.

CODE COMPLIANCE

Test in accordance with ANSI Z21.58 latest edition standard for outdoor cooking gas appliances. This grill is for outdoor use only. Check local building codes for the proper method of installation. In the absence of local codes, this unit should be installed in accordance with the National Fuel Gas Code No. Z223 latest edition and the National Electrical Code ANSI/NFPA no. 70, latest edition.

▲CAUTION: All outdoor grills are extremely heavy. Two people are required to lift and place a built-in grill into an enclosure. At least two people are also required to remove a grill on cart from the skid.

Design Information

CONTENTS

Design Information

Models Available4
 Product Dimensions and Clearances5-7
 Accessories8
 Accessory Product Dimensions.....8

Installation Preparation

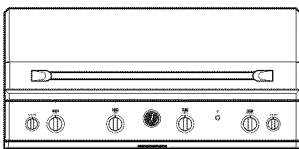
Advance Planning9
 Choosing the Location9
 Electrical Supply Requirements10
 Gas Supply Requirements10
 Outdoor Grill, Cooktop and
 Accessory Cutout Dimensions11

Tools Required12
 Materials Required12
 Parts Provided12
 Remove Packaging from Cart Models13, 14
 Remove Packaging from Built-In Models.....15

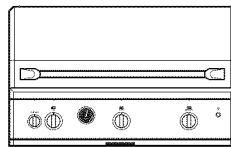
Installation Instructions

LP Tank Tie-Down16
 Tank Drawer with LP Tank Retainer Loop16
 LP Gas Grill Connections
 to a Grill or Cooktop16, 17
 Natural Gas Grill Connections17
 Leak Testing18
 Make Electrical Connections19

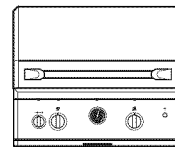
MODELS AVAILABLE (select the model according to the type of gas)



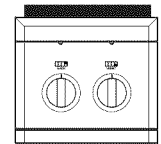
ZGG540NB, 54" Built-In Natural Gas
 ZGG540LB, 54" Built-In LP Gas



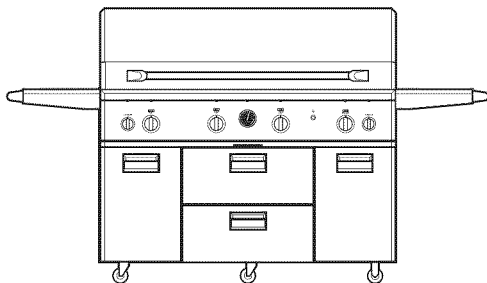
ZGG420NB, 42" Built-In Natural Gas
 ZGG420LB, 42" Built-In LP Gas



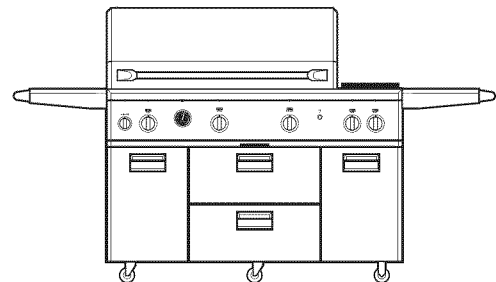
ZGG300NB, 30" Built-In
 Natural Gas
 ZGG300LB, 30" Built-In
 LP Gas



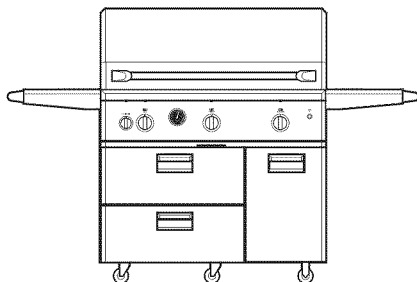
12" Outdoor Cooktop
 with 2 Burners
 ZGU122N, Natural Gas
 ZGU122L, LP Gas



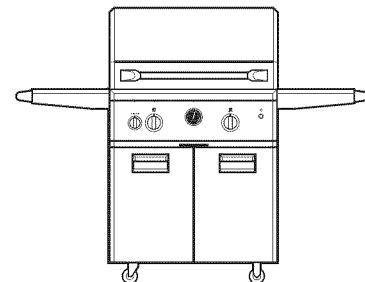
ZGG540NC, 54" Natural Gas Grill with Cart
 ZGG540LC, 54" LP Gas Grill with Cart



ZGG542NC, 54" Natural Gas Grill with Cart and 2 Side Burners
 ZGG542LC, 54" LP Gas Grill with Cart and 2 Side Burners



ZGG420NC, 42" Natural Gas Grill with Cart
 ZGG420LC, 42" LP Gas Grill with Cart



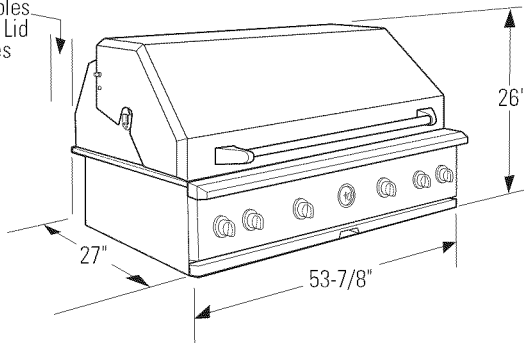
ZGG300NC, 30" Natural Gas Grill with Cart
 ZGG300LC, 30" LP Gas Grill with Cart

Design Information

PRODUCT DIMENSIONS AND CLEARANCES

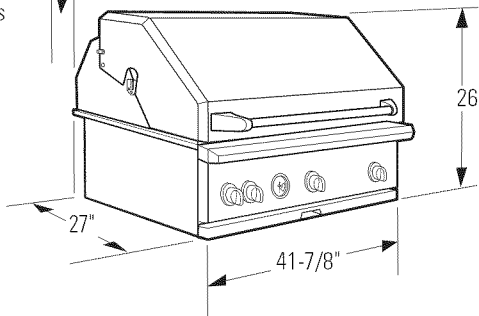
54" Built-In

12" Min. to Combustibles
4" Min. Clearance for Lid to Non-Combustibles



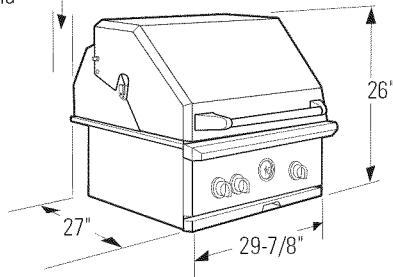
42" Built-In

12" Min. to Combustibles
4" Min. Clearance for Lid to Non-Combustibles



30" Built-In

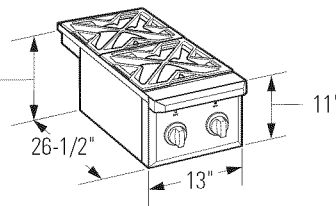
12" Min. to Combustibles
4" Min. Clearance for Lid to Non-Combustibles



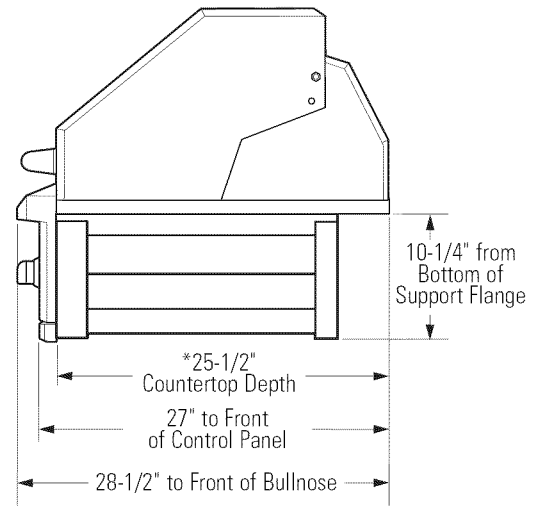
12" Outdoor Cooktop with 2 Burners

12" Min. to Combustibles on All Sides

10-1/2" to the Bottom of the Side Support Flange

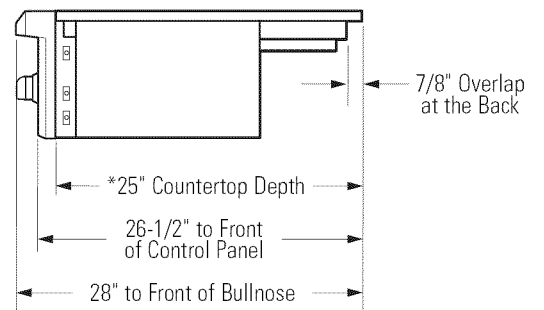


Side View, All Built-In Grill Models



*The weight of the grill is fully supported by the side trims. The back of the grill overlaps the back edge of the cutout.

Side View, Built-In Cooktop Model

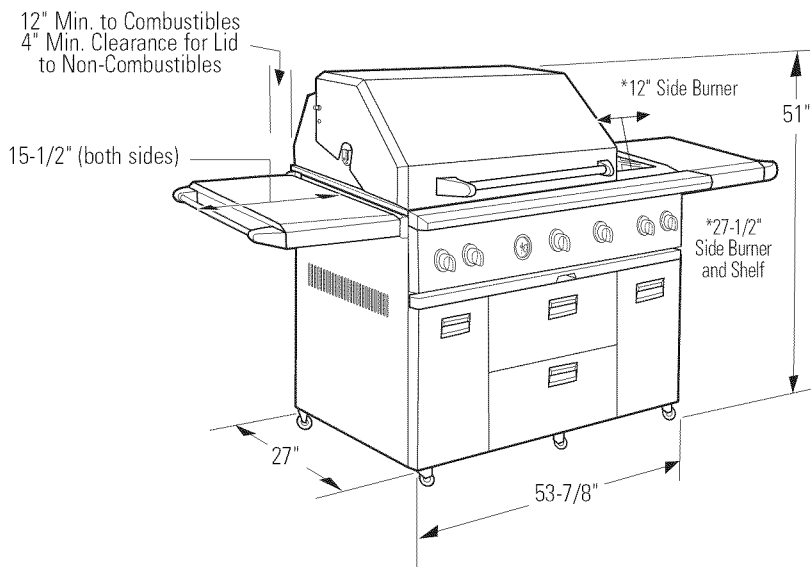


*The weight of the cooktop is fully supported by the side trims. The back of the cooktop overlaps the back edge of the cutout.

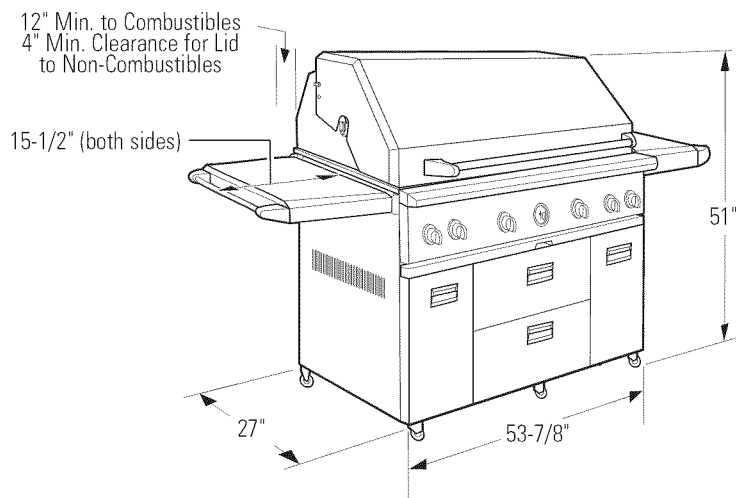
Design Information

PRODUCT DIMENSIONS AND CLEARANCES

54" Cart with Side Burners



54" Cart



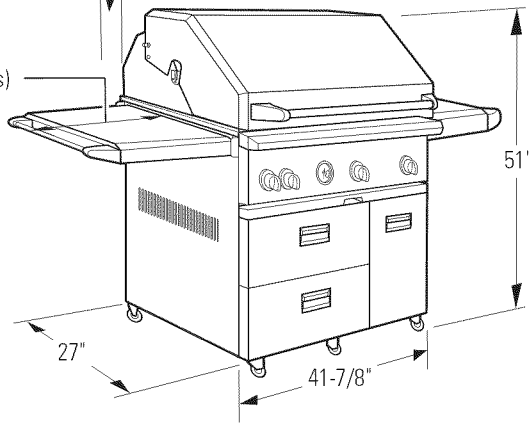
Design Information

PRODUCT DIMENSIONS AND CLEARANCES

42" Cart

12" Min. to Combustibles
4" Min. Clearance for Lid
to Non-Combustibles

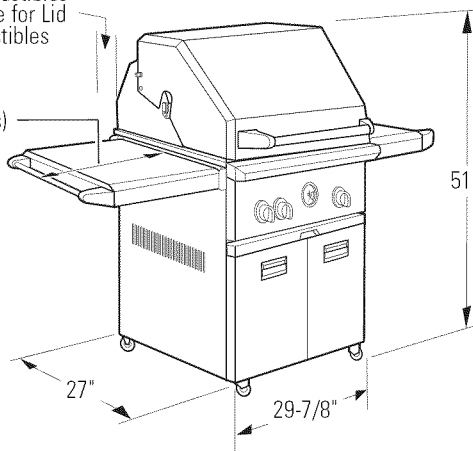
15-1/2" (both sides)



30" Cart

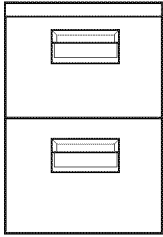
12" Min. to Combustibles
4" Min. Clearance for Lid
to Non-Combustibles

15-1/2" (both sides)

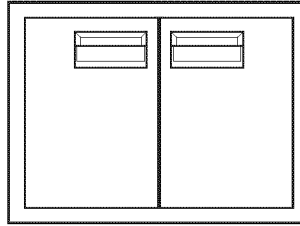


Design Information

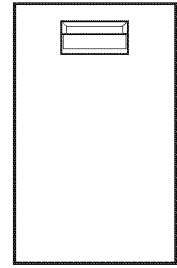
ACCESSORIES



ZX18DS, 18" 2-Drawer Storage

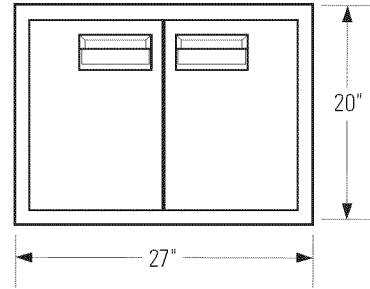
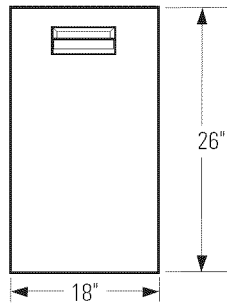
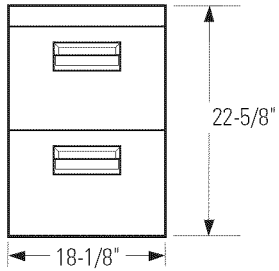


ZX27AD, 27" Access Doors



ZX18TC, 18" Trash Bin

ACCESSORY PRODUCT DIMENSIONS



Installation Preparation

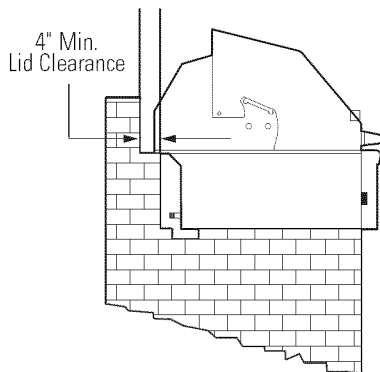
ADVANCE PLANNING

Built-In Monogram Outdoor Grills are designed for easy installation into a masonry, non-combustible enclosure. The grill drops into the opening and hangs from its side flanges.

- A deck is not required for support from the bottom.
- The cutout must be completely covered with non-combustible material such as stone, brick, ceramic tile, concrete board, etc. The counter surface and edges must be flat and level.

Clearances:

- A 4" minimum clearance is required behind the grill to allow the hood to open.



Clearances to Combustible Materials:

- Allow at least a 12" clearance at the back of the grill when the exhaust is directed to a window or a surface that is difficult to clean.
- Allow 12" minimum clearance on both sides and the back of the grill to adjacent vertical combustible construction.
- These gas grills cannot be used below any type of overhead construction.

Accessories:

- ZX27AD Access Doors may be installed directly below a grill.
- ZX18DS Storage Drawers CANNOT be installed directly below a grill or cooktop.
- ZX18TC Trash Bin CANNOT be installed directly below a grill or cooktop.

Security:

Cart models are equipped with an anti-theft, stationary-mount security loop. This loop allows you to secure the grill to a structure. See page 19.

Cooktop Installation:

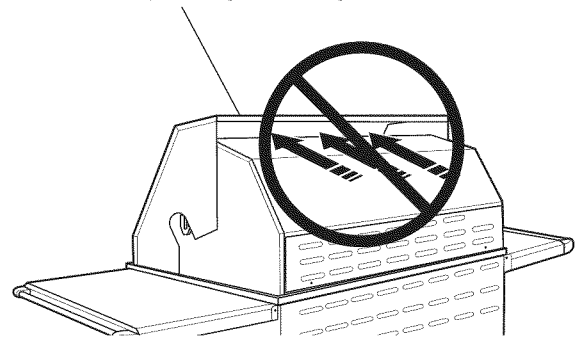
Both an LP or Natural gas cooktop can be installed in combination with a grill. The cooktop can be connected to the same LP tank as the grill.

- The cooktop can also be installed alone and be supplied by a separate LP tank. In this case, you must order a regulator hose assembly. Order WB21X10156 regulator hose assembly for a 20-lb. LP tank connection.

CHOOSING THE LOCATION

- These outdoor grills are designed for outdoor use only. Do not locate the grill in a building, garage or other enclosed or semi-enclosed area.
- Ensure that fresh air ventilation is adequate.

NEVER USE THE GRILL IN WINDY CONDITIONS. Wind hitting the grill while in use, especially winds blowing into or across this hood gap, can cause poor performance and in some cases can cause the control panel to get hot enough to cause burns.



Steady or gusty winds can prevent the normal exhaust of hot gases. Locate your grill away from prevailing winds and avoid grilling in windy conditions.

- Locate the grill where prevailing winds will blow into the front of the control panel.
- The minimum clearances to combustibles must be maintained at all times.
- Do not install an outdoor grill below overhead unprotected combustible construction.
- The location must be level and stable.

Installation Preparation

ELECTRICAL SUPPLY REQUIREMENTS

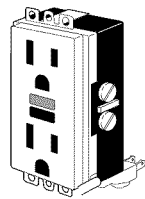
A 120-volt, 60Hz, 15-amp power supply is required. An individual properly grounded branch circuit or circuit breaker is recommended. Install a properly grounded 3-prong electrical receptacle at the rear and below the cutout. Electrical must be located within reach of the 6-ft. power cord.

GROUNDING THE OUTDOOR COOKING CENTER AND 2-BURNER COOKTOP

IMPORTANT: PLEASE READ CAREFULLY. FOR PERSONAL SAFETY, THIS APPLIANCE MUST BE PROPERLY GROUNDED.

The power cord of this appliance is equipped with a 3-prong (grounding) plug which mates with a standard 3-prong (grounding) wall receptacle to minimize the possibility of electric shock hazard from this appliance. Have the wall outlet and circuit checked by a qualified electrician to make sure the outlet is properly grounded. Where a standard 2-prong wall outlet is encountered, it is your personal responsibility and obligation to have it replaced with a properly grounded 3-prong wall outlet.

- DO NOT, UNDER ANY CIRCUMSTANCES, CUT OR REMOVE THE THIRD (GROUND) PRONG FROM THE POWER CORD.
- DO NOT USE AN ADAPTER PLUG TO CONNECT THE OUTDOOR COOKING CENTER TO A 2-PRONG OUTLET.
- DO NOT USE AN EXTENSION CORD WITH THIS APPLIANCE.
- DO NOT PLACE THE UNIT IN STANDING WATER OR ALLOW THE POWER CORD TO BE IMMERSED.



THIS PRODUCT IS RECOMMENDED TO BE CONNECTED TO A POWER SOURCE WITH GROUND FAULT CIRCUIT INTERRUPT (GFCI) PROTECTION WHEN INSTALLED IN AN OUTDOOR LOCATION. FOLLOW LOCAL CODES.

If you are uncertain about the GFCI protection on the power source to which you are connecting this appliance, please contact a professional electrician for verification.

GAS SUPPLY REQUIREMENTS

These grills are factory-set for either LP or natural gas operation.

Do not attempt to operate the cooking center on a different gas type than for what the grill orifices and regulator are set. Check the rating plate to be sure the gas supply matches the cooking product. Fuel type conversion requires a conversion kit. Contact your dealer or call 1.800.626.2002 to order.

GAS TYPE CONNECTIONS AND CONVERSIONS

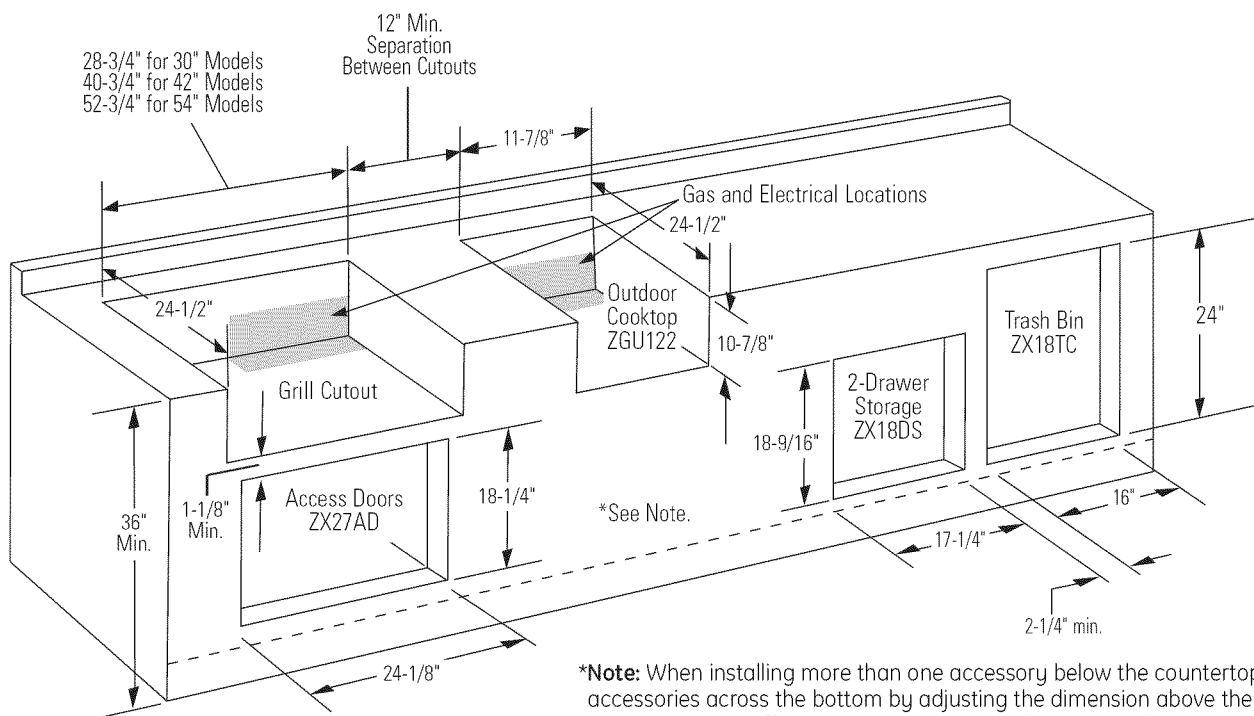
- WB28X10116 – LP to Natural Gas Operation Conversion Kit. This kit is for all grill models and 2-burner cooktops. Order this kit from your Monogram supplier.
- WB28X10117 – Natural to LP Gas Operation Conversion Kit. This kit is for all grill models and 2-burner cooktops. Order this kit from your Monogram supplier.
- WB28X10118 – LP Portable/Stationary Conversion Kit. To change the connection from LP portable (20# tank) to whole house stationary tank or stationary tank to portable. Order this kit from your Monogram supplier.
- WB28X10119 – High Altitude Conversion Kit. For operation above 2,000 feet. Order this kit from your Monogram supplier.

COOKTOP AND OUTDOOR COOKING CENTER COMBINATION INSTALLATION

- Natural gas models are designed to operate at 4" water column pressure. For proper operation, the pressure of the natural gas supplied to the regulator must be between 5" and 14" water column.
- LP models are designed to operate at 11" water column pressure. For proper operation, the pressure of the LP gas supplied to the regulator must be between 12" and 14" water column.
- Install a manual shut-off valve in the gas line (not provided), in an easily accessible location. Make sure the homeowner knows where and how to shut off the gas supply to the grills.

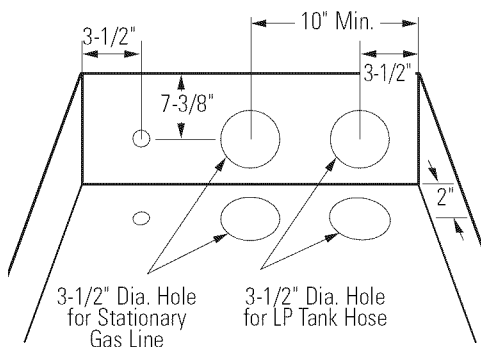
Installation Preparation

OUTDOOR GRILL, COOKTOP AND ACCESSORY CUTOUT DIMENSIONS



***Note:** When installing more than one accessory below the countertop, align the accessories across the bottom by adjusting the dimension above the floor. The cutouts must be offset depending on the product overlap below the cutout. Overlap for ZX27AD is 7/8", for ZX18DS is 1-1/4" and for ZX18TC is 1-3/16".

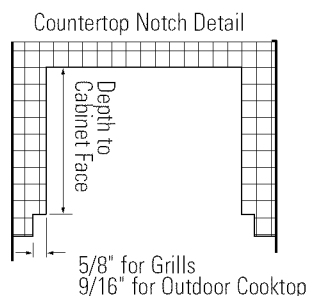
Gas and Electrical Locations



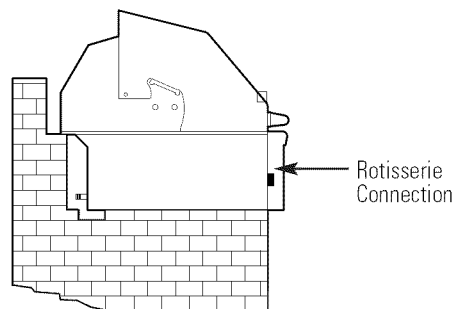
GAS LOCATION:
Cut a 3-1/2" dia. hole for the manifold connection as shown for LP tank or stationary gas line connections.

ELECTRICAL LOCATION:
Cut a 1" dia. hole at the back left side of the cutout.

- If the countertop has an overhang, it must be notched or cut back flush with the front face of the cabinet below. This will allow the grill or side burner to fit flush at the front.



- The grill and outdoor cooktop drops into the opening and hangs from the side flanges. A deck is not required for support on the bottom.
- The construction must be level and stable and capable of supporting up to 400 lbs.
- The opening for the cooktop must be 24-1/2" deep from the front of the countertop. Cut a 1" dia. hole below the cooktop for the drain hose.
- Cut a 1" dia. hole at the back left side of the cutout for the grill's electrical connection.
- A 120 volt outlet must be located within reach of the grill's 6' power cord. The transformer bracket must be mounted within 3-1/2 feet of the outdoor grill.
- Maintain 12" separation between cutouts for an outdoor grill and an outdoor cooktop installation.



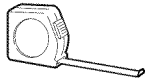
The grill rotisserie connection is on the left side near the front. Installation into a 24-1/2" front-to-back opening allows access to the rotisserie outlet.

Installation Preparation

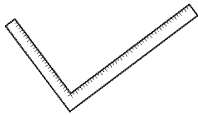
TOOLS REQUIRED



Saber Saw



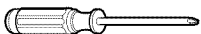
Measuring Tape



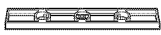
Carpenter's Square



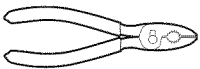
Safety Glasses



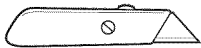
Phillips #2 Screwdriver



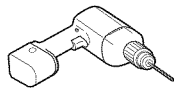
Level



Pliers



Utility Knife



Drill and Appropriate Bits



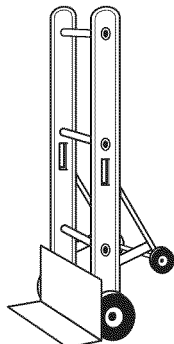
Adjustable Wrench



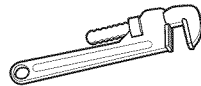
1/4" Driver or Wrench



Flat-Blade Screwdriver (3/32" blade)

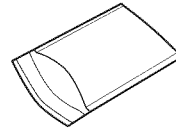


Appliance Dolly

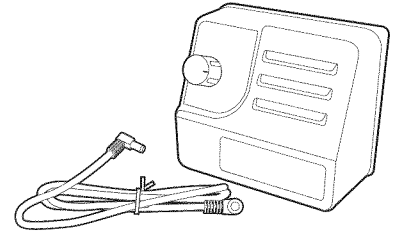


Pipe Wrench

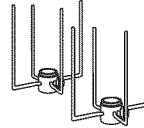
PARTS PROVIDED



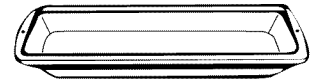
Grill Cover



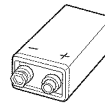
Rotisserie Motor and Connector



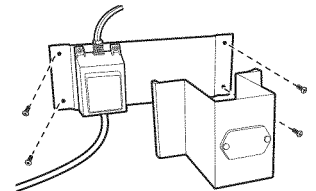
Rotisserie Spit Forks



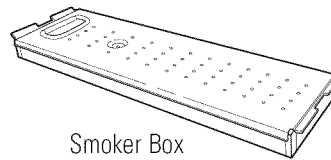
Drip Pan



9V Battery (installed on some models)



Bracket with Transformer and Battery Compartment (only on built-in models)



Smoker Box (on some models)



Cutting Board (on some models)

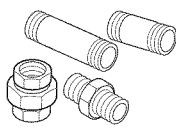


Rotisserie Spit Rod

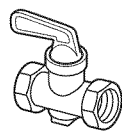
MATERIALS REQUIRED (not provided)



Pipe Joint Sealant (approved type and resistant to LP or natural gas)



Pipe Fittings



Manual Shut-Off Valve

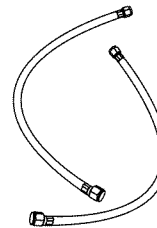


Use stainless steel or flexible metal gas line to reach the built-in installation location or cart model location (if natural or whole-house LP). Do not use vinyl hose.

ZGU122 COOKTOP PARTS

LP MODELS

See product to determine parts used.



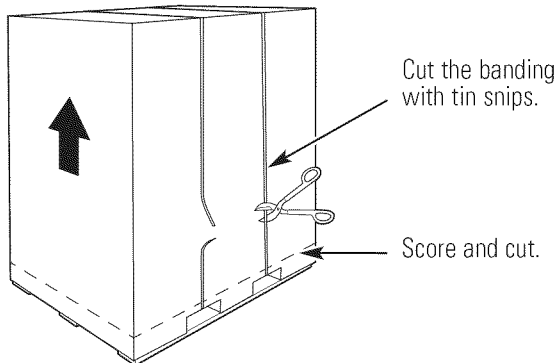
3/8" Flare Tee and Two 3/8" x 3/8" Flare Hoses (on models so equipped)



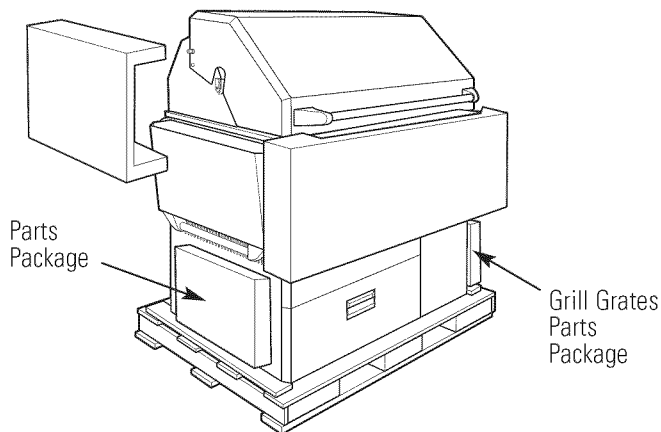
Installation Preparation

REMOVE PACKAGING FROM CART MODELS

1. Cut the banding. Use a box cutter or utility knife to score and cut the carton along the base (or remove the staples with a staple remover or a screwdriver).
2. Lift the carton straight up and off of the grill.

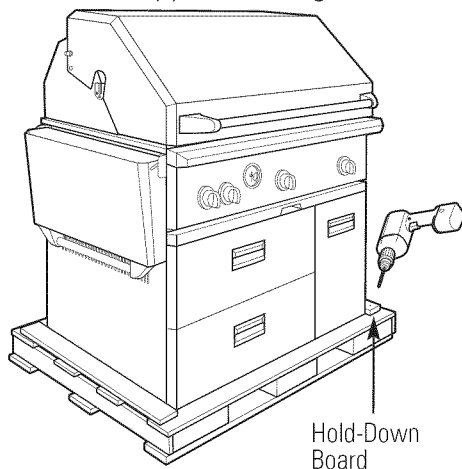


3. Remove all outside packing materials.

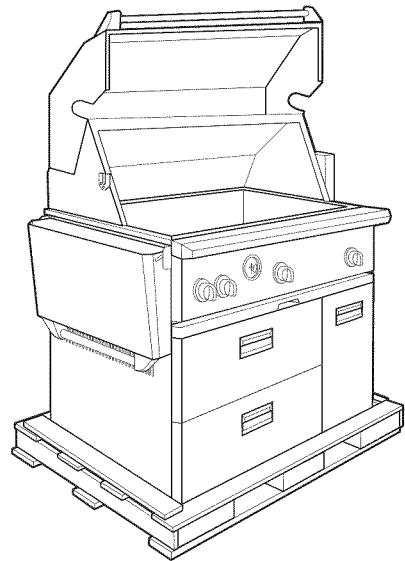


4. Remove the parts packages on each side at the bottom.
5. Remove the screws from the hold-down board on the **right** side of the skid to allow the appliance dolly to slip under the wheels.

NOTE: When using an appliance dolly, the grill must be handled and removed from the right side. The right-side wheels do not rotate.

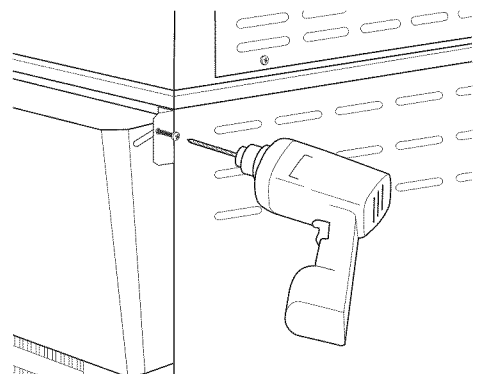


6. Open the lid. Cut plastic ties and bands.

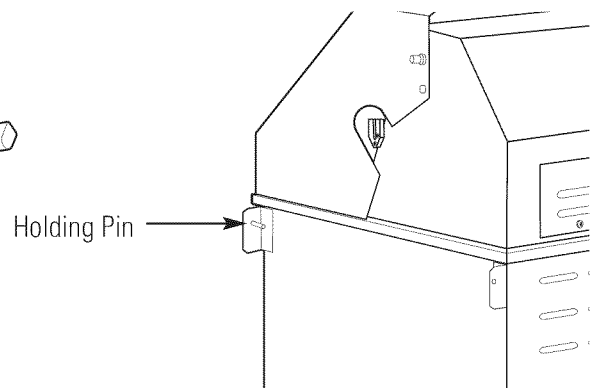


7. The right-side shelf must be removed when using an appliance dolly to lift the grill off the skid.

- A. On the right side of the grill, remove the screw from the back side of the shelf.



- B. Slide the shelf out of the holding pin at the front end of the bracket.



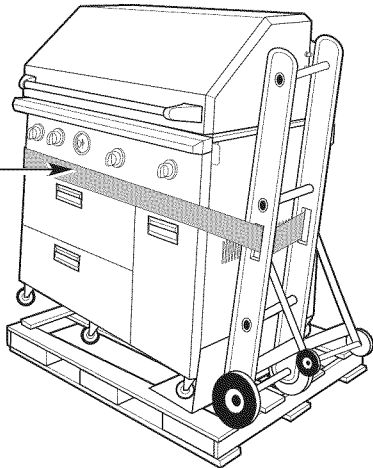
Installation Preparation

REMOVE PACKAGING FROM CART MODELS (cont.)

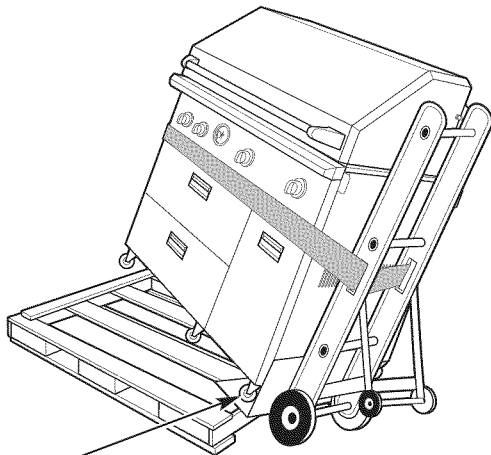
8. Position the blade of the dolly next to the right side of the grill. Tilt the grill back and away to allow blade to slip under the wheels.

NOTE: The wheels must rest on the blade of the appliance dolly.

Secure the appliance dolly belt around the grill above or below the controls to avoid damage to the knobs.

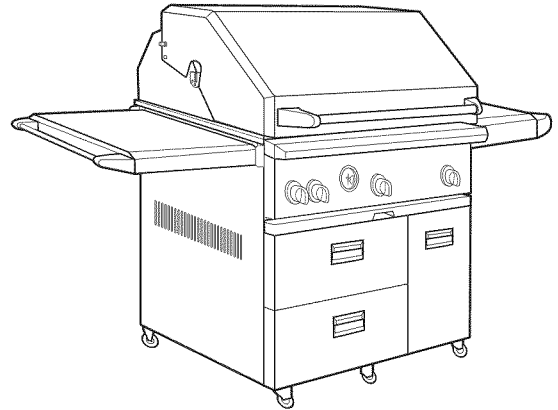


9. Tilt and lift with the appliance dolly to remove the skid from below the grill.

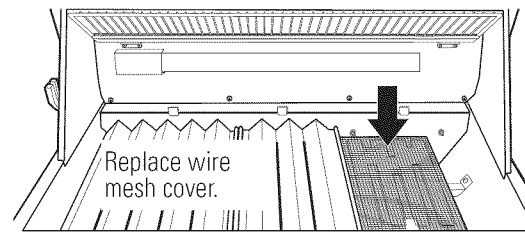
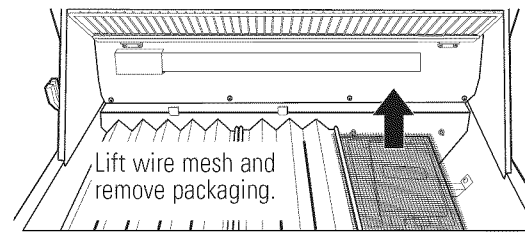


Wheels must be positioned ON the blade of the appliance dolly.

10. Roll the grill into operating position. Reinstall the shelf on the right side.



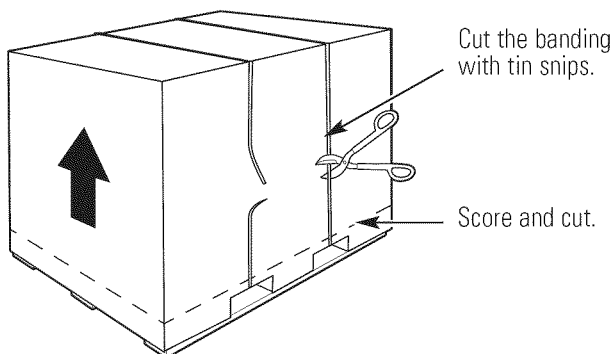
11. Remove the tie holding the sear burner (on some models). Lift the wire mesh cover on the sear burner and remove packaging. Carefully, replace the wire mesh cover. The wire mesh must be wrapped around the vertical side flanges.



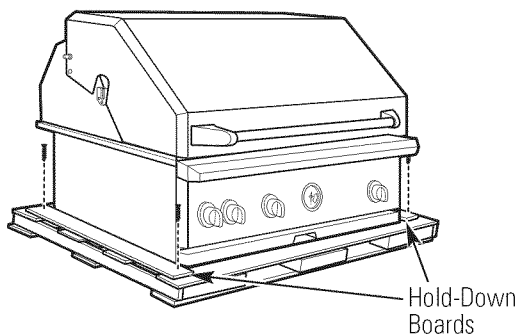
Installation Preparation

REMOVE PACKAGING FROM BUILT-IN MODELS

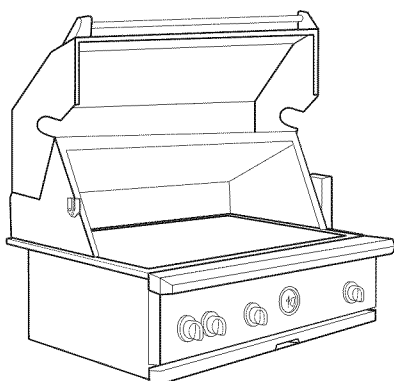
1. Cut the banding. Use a box cutter or utility knife to score and cut the carton along the base (or remove the staples with a staple remover or a screwdriver).
2. Lift the carton straight up and off of the grill.



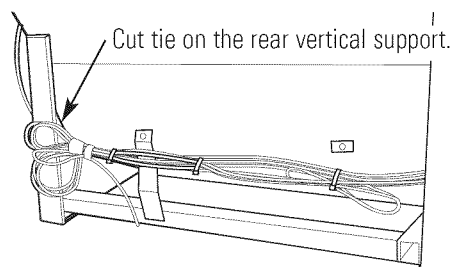
3. Remove all outside packing materials.
4. Remove the screws from the hold-down boards on the skid. This will allow better access to the ends when lifting the grill off the skid.



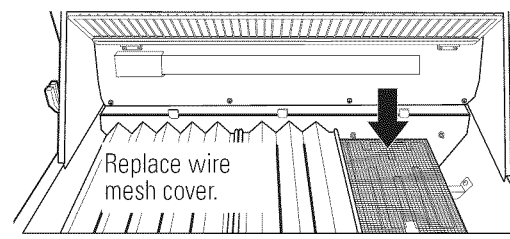
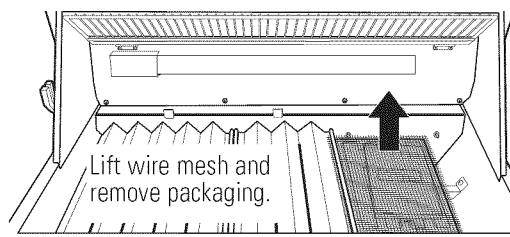
5. Open the lid. Cut plastic ties and bands. Remove the parts package. Remove the grill grates and packaging.



6. Close the lid. Cut the plastic tie holding the wires against the left side. Let the battery and transformer wires hang loose along the back side.



7. Lift the grill off the skid and slide it into the prepared countertop opening.
8. Remove the tie holding the sear burner (on some models). Lift the wire mesh cover on the sear burner and remove packaging. Carefully, replace the wire mesh cover. The wire mesh must be wrapped around the vertical side flanges of the burner.



Installation

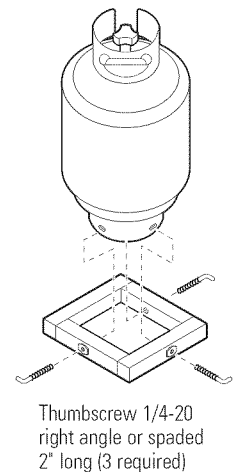
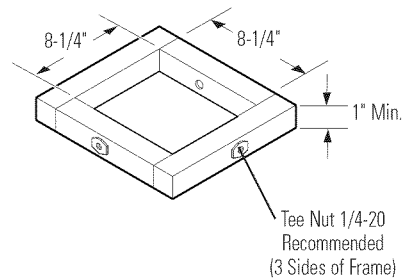
LP TANK TIE-DOWN (for built-in island installations)

Outdoor cooking appliances require an integral means of limiting the movement of the LP gas cylinder. For built-in appliances which require the use of a remote LP gas supply cylinder (island applications), a retaining device must be created.

Lateral movement shall not exceed 1" (25.4 mm) at the retention means. The cylinder, or any portion of, shall not become dislodged from the retention device when a lateral force of equal weight to the cylinder is applied, from any direction, at the center of the vertical height of the cylinder.

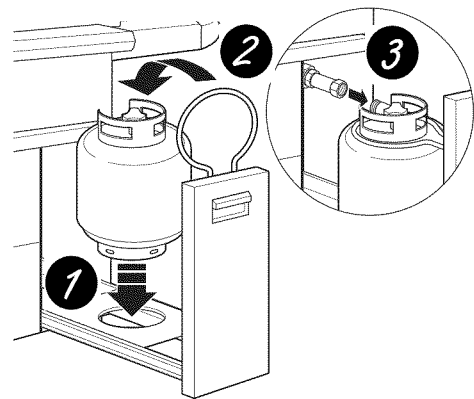
Retaining device must not interfere with the operation of the cylinder valve, and no movement shall transmit strain to rigid tubing or pipe/hose connections. Hose must not touch any portion of the grill/appliance. (ANSI Z21 58z 2006/CGA 1.6z 2006)

LP tank is inserted into frame.
LP tank is secured with fixed thumbscrew on three sides.



TANK DRAWER WITH LP TANK RETAINER LOOP (free-standing models only)

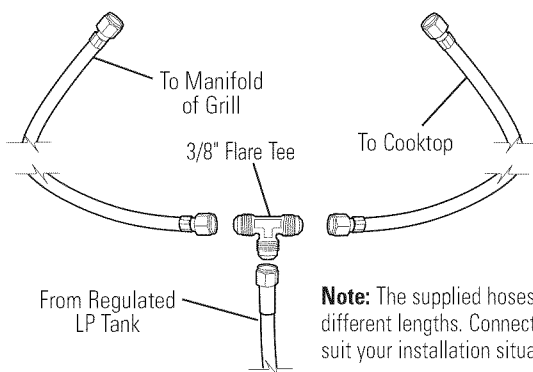
To install the LP tank, fully extend the tank drawer and the lift retainer loop. Place the tank on the drawer bottom, inserting the loop on the bottom of the tank through the hole in the drawer bottom. Tilt the tank forward to lower the retainer loop to engage the top ring on the tank. Insert the coupler sleeve on the regulator over the tank inlet; turn clockwise to tighten. Do not overtighten the coupler. Open the tank valve when ready to use the grill. Always close the tank valve when cooking is complete.



LP GAS GRILL CONNECTIONS TO A GRILL OR COOKTOP

LP Gas Cooktop and Grill Combination Connections

Use this method to connect a single tank to both appliances.



Note: The supplied hoses are different lengths. Connect them to suit your installation situation.

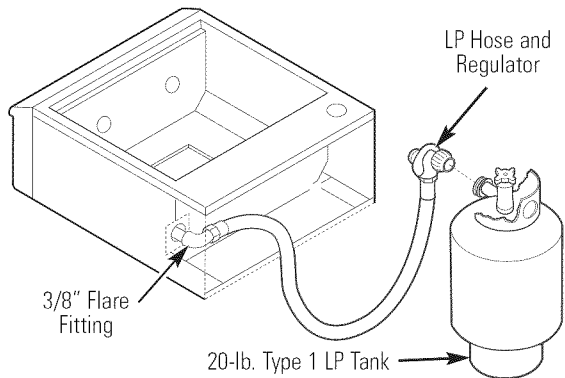
LP gas connections

- Completely close the main valve on the LP tank supplying the grill.
- Attach one hose to the cooktop gas inlet; tighten.
- Attach one hose to the grill gas inlet; tighten.
- Attach the hose ends from the grill and cooktop to the ends of the supplied 3/8" flare tee as shown.
- Attach the supplied regulator hose assembly to the 3/8" flare tee as shown.

Installation Instructions

LP GAS GRILL CONNECTIONS TO A GRILL OR COOKTOP (cont.)

Single Gas Cooktop or Grill Connection



Built-in models shown.

For models installed on carts, open the tank storage drawer on the right side to make the tank connection.

Outdoor Cooktop: Install the cooktop with a separate tank using the same method. Order WB21X10156 Regulator hose assembly for the 20-lb. tank connection.

To connect 20-lb. LP tank:

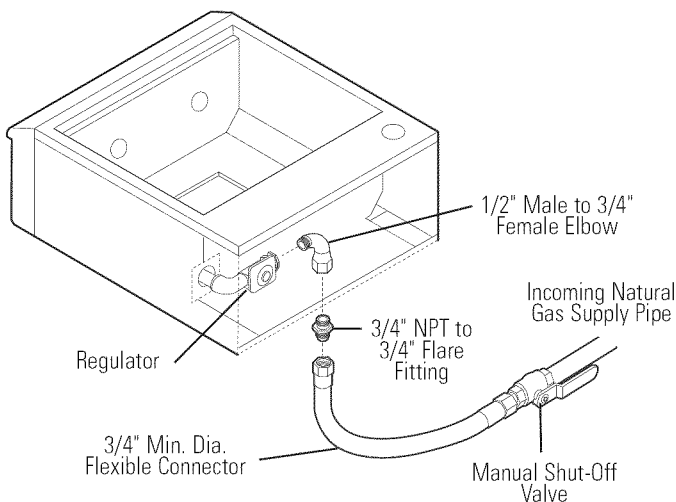
- Attach the regular hose assembly to the brass elbow. Do not use threading compound.
- Insert the coupler sleeve on the regulator over the tank inlet; turn clockwise to tighten. Do not overtighten the coupler.

To disconnect from the 20-lb. LP tank:

- Turn tank valve to OFF.
- Grasp the coupler sleeve, turn counterclockwise and remove.

NATURAL GAS GRILL CONNECTIONS

- The gas supply line must be sized to accommodate the outdoor grill and, if present, an outdoor cooktop connected to the same gas supply.
- The grill or cooktop and its individual shut-off valve must be disconnected from the gas supply during any pressure testing of the system at test pressures in excess of 1/2 PSIG.



Built-in models shown.

Make connection for models installed on carts in the same manner. The entry for the gas line is on the back of the cart.

Outdoor Cooktop: Install the cooktop using the same method illustrated above for the outdoor grills.

The installation of the outdoor grills or cooktop must conform with local codes or, in the absence of local codes, with the National Fuel Gas Code, ANSI Z223.1, latest edition.

Operating pressure is 4" water column. Supply pressure should be 5" to 14" water column. If pressure is more than 14" water column, a step-down regulator is required.

Check with the local gas utility or with local codes for instructions on installing gas supply lines. Be sure to check on type and size of run and how deep to bury the line. If the gas line is too small, the grill will not function properly.

- Install a manual gas shut-off valve in an easily accessible location.
- Use threading compound on male threads only. Do not use threading compound on the male end of a flare adapter.
- Make connections as shown.
- Check to be sure the regulator arrow points in the direction of gas flow, towards the grill and away from the gas supply.

Installation

▲WARNING:

TEST FOR LEAKS

A complete gas tightness check must be performed at the installation site.

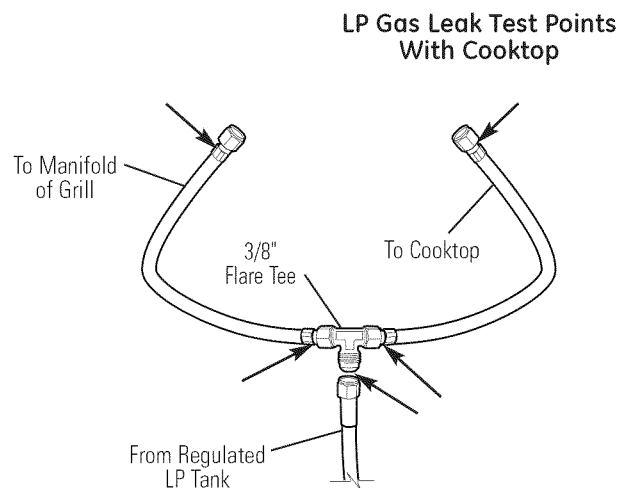
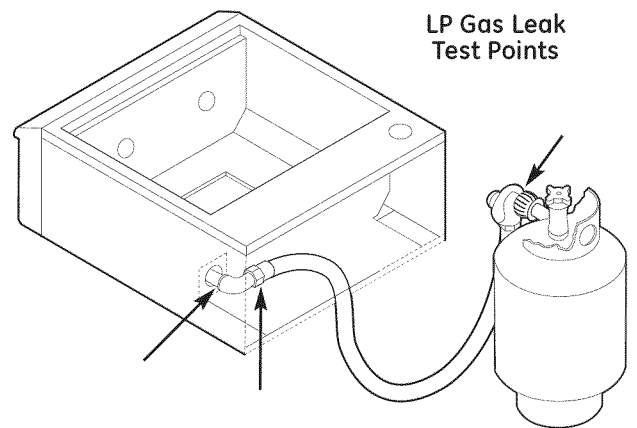
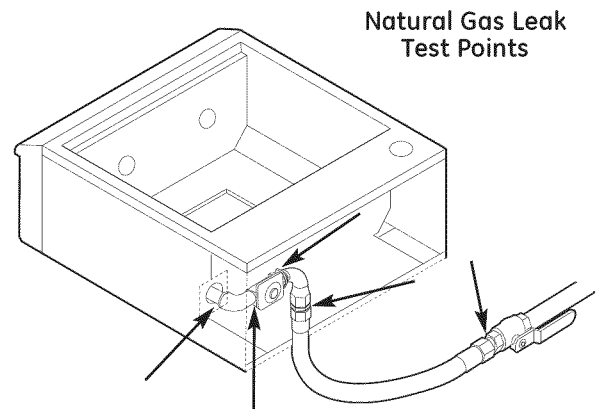
▲CAUTION:

To prevent fire or explosion hazard, DO NOT use or permit sources of ignition in the area while performing a leak test. Perform leak test outdoors only. Never perform a leak test with fire or flame. DO NOT SMOKE WHILE PERFORMING THE LEAK TEST.

- Use an approved non-corrosive leak detection solution or create a soapy solution of equal parts mild dishwashing detergent and water.
- Check to be sure all controls are in the OFF position.
- Turn on the fuel supply. For natural gas, turn manual shut-off valve handle 1/4 turn to align with gas flow. For LP, turn cylinder valve knob counterclockwise one full rotation.
- Apply liquid leak detector generously on all connections and fittings. See illustrations.
- If growing bubbles appear on any connection point, IMMEDIATELY turn off the gas supply.

To stop a gas leak:

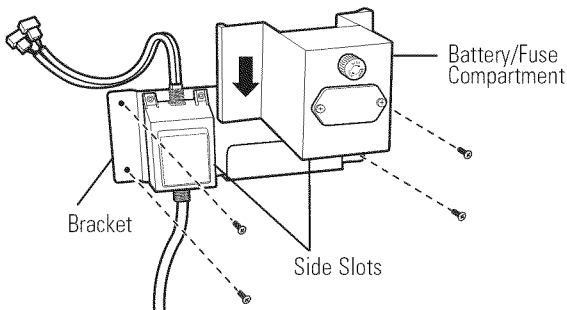
- Turn off the fuel supply.
- Turn on control knobs to release pressure. Turn controls OFF.
- Wash off soapy solution and towel dry.
- Tighten the loose joint and perform a new leak test.



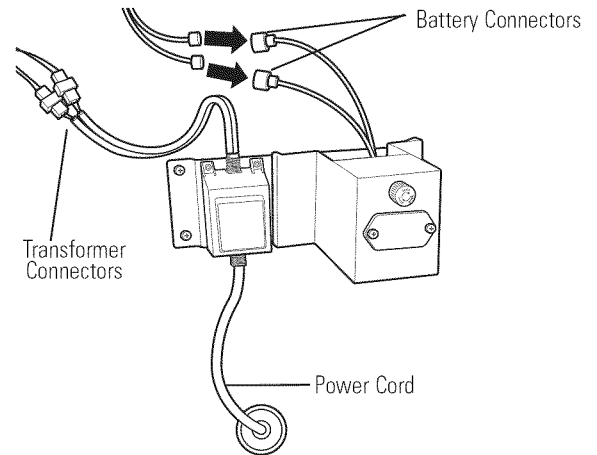
Installation Instructions

INSTALL BRACKET WITH TRANSFORMER (Built-In Models Only)

- Mount the bracket to the back wall of the enclosure with 4 screws (not supplied).
- Slide the battery compartment from the top, straight down, engaging the side slots.

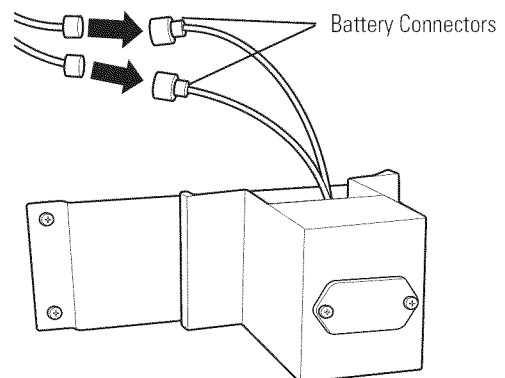


- NOTE:** All connectors are polarized to connect correctly.
- Join transformer connectors.
 - Join battery connectors.
 - Route the power cord through the enclosure to the electrical outlet.



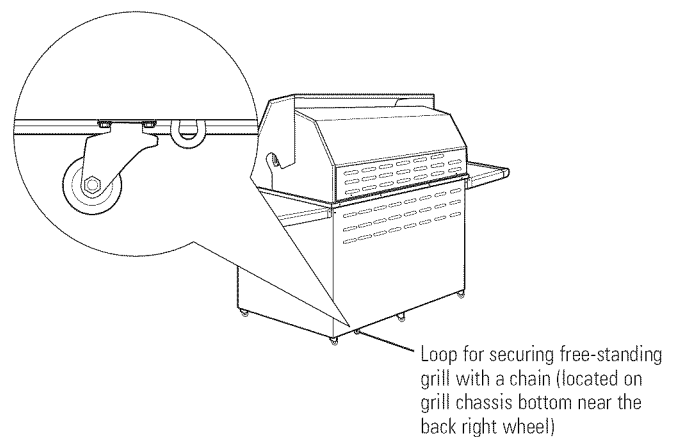
INSTALL COOKTOP BRACKET WITH BATTERY COMPARTMENT

- Mount the bracket to the back wall of the enclosure with 4 screws (not supplied).
- Slide the battery compartment from the top, straight down, engaging the side slots. (If necessary, the bracket may be factory-assembled.)
- Join battery connectors.



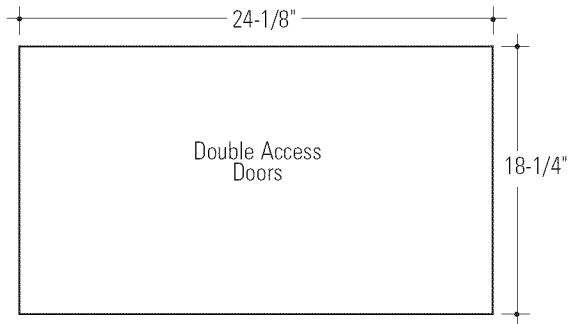
SECURITY LOOP

A stainless steel loop is welded to the bottom of the free-standing grill chassis near the back right wheel. To secure the grill, put a chain through the steel loop and padlock through a stationary, secured eyelet (chain, padlock and eyelet not provided).



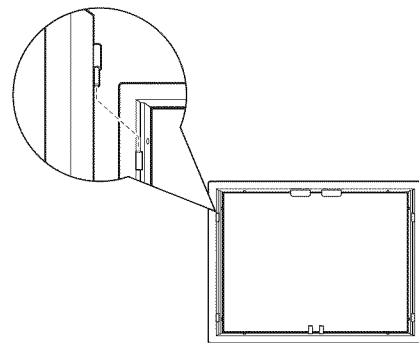
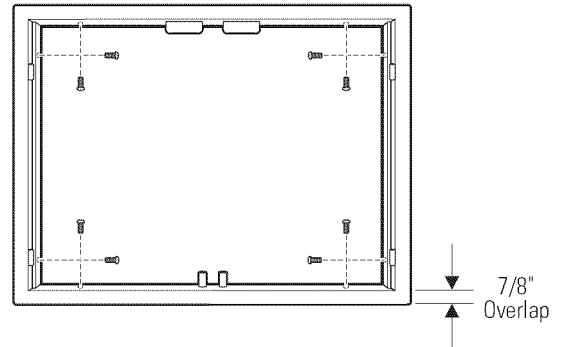
Installation Instructions

ZX27AD ACCESS DOORS



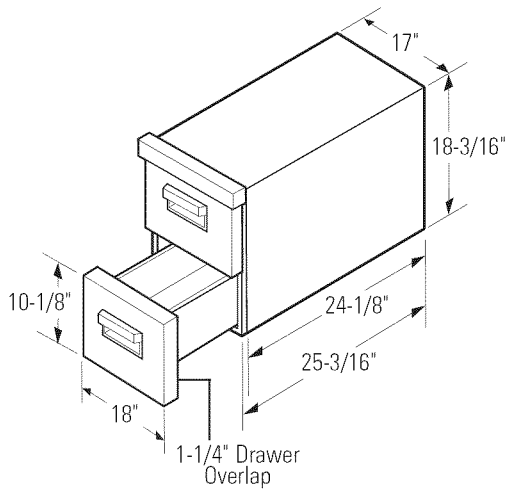
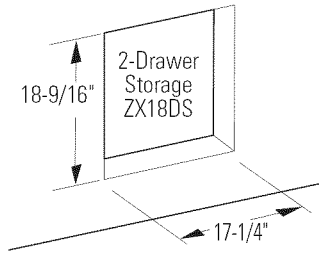
- Cut the opening to the dimensions shown. Reinforce the inside of the opening using at least 1" wide material surround to accept the frame-mounting screws.
- Place the frame into the opening and secure with screws (provided) on all sides as shown.
- Hang the doors on the hinges as shown.

NOTE: If you are installing another accessory into the same enclosure, measure and cut the openings to accommodate the bottom overlaps and align them evenly across the bottom.



Installation Instructions

ZX18DS STORAGE DRAWER



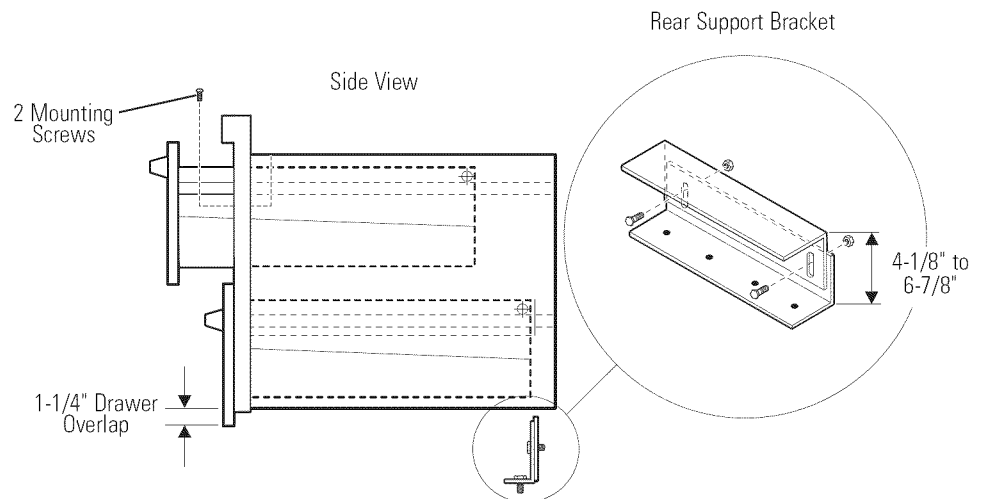
IMPORTANT: The supplied rear support bracket adjusts from 4-1/8" to 6-7/8". When using the supplied bracket, cut the opening at least 4-1/8" above the floor. If the opening is closer to the floor of the enclosure, use another means of support for the back of the drawer.

The rear support must be capable of supporting 50 lbs., plus load.

- Cut the opening to the dimensions shown. Reinforce the inside of the opening using at least 1" wide material surround to accept the frame-mounting screws.

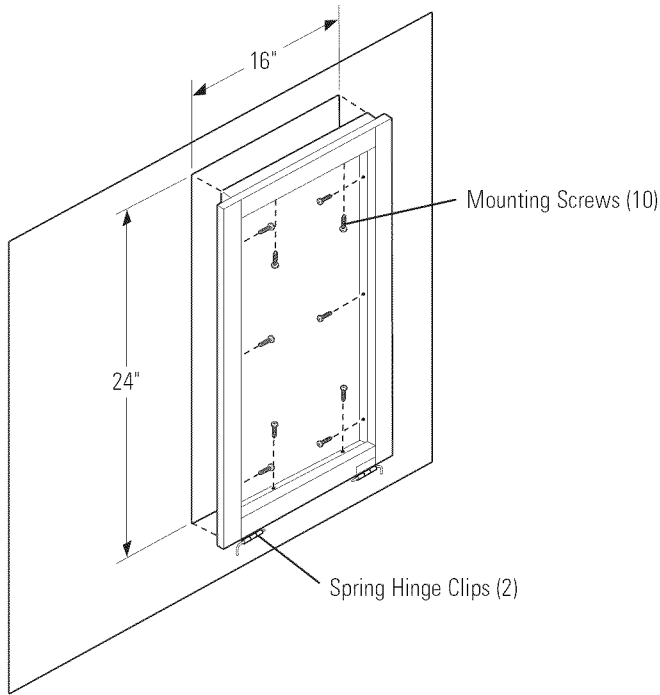
NOTE: If you are installing another accessory into the same enclosure, measure and cut the openings to accommodate the bottom overlaps and align them evenly across the bottom.

- Adjust the bracket height with screws (provided) so that the drawer cabinet will be level with the cutout.
- Slide the drawers into the opening.
- Open the top drawer. Locate the screw holes in the top of the drawer cabinet, just inside the drawer. Install 2 screws (not provided) to secure the drawer to the enclosure.



Installation Instructions

ZX18TC TRASH BIN



- Cut the opening to the dimensions shown. Reinforce the inside of the opening using at least 1" wide material surround to accept the frame-mounting screws.

NOTE: If you are installing another accessory into the same enclosure, measure and cut the openings to accommodate the bottom overlaps and align them evenly across the bottom.

- Separate the mounting frame from the trash bin door. Pull tab ends of the spring hinge pins outward to disengage the bin.
- Insert the frame through the opening.
- Install 10 screws (provided).
- Tilt the trash bin rear retaining lip into the frame first.
- Secure the trash bin to the frame by engaging the spring hinge pins at the bottom.

